



US00D558801S

(12) **United States Design Patent**
Chen

(10) **Patent No.:** **US D558,801 S**

(45) **Date of Patent:** **** Jan. 1, 2008**

(54) **BENCH GRINDER**

(76) Inventor: **Chao-Hsin Chen**, No. 103, Nan Tien St., Feng Yuan, Taichung Hsien (TW)

(**) Term: **14 Years**

(21) Appl. No.: **29/279,618**

(22) Filed: **May 3, 2007**

(51) **LOC (8) Cl.** **15-09**

(52) **U.S. Cl.** **D15/125**

(58) **Field of Classification Search** D8/61, D8/64; D15/123, 124, 125; 144/1 A, 1 R, 144/16; 451/72, 259-262, 310, 365
See application file for complete search history.

(56) **References Cited**

U.S. PATENT DOCUMENTS

D153,751 S *	5/1949	Apple	D15/125
D180,549 S *	7/1957	Ernest	D15/125
3,144,735 A *	8/1964	McCarty et al.	451/340
5,525,095 A *	6/1996	Baughman	451/72
6,123,611 A *	9/2000	Lawrence, Jr.	451/312

D447,156 S *	8/2001	Lin Ku	D15/124
D458,617 S *	6/2002	Wang	D15/124
D505,683 S *	5/2005	Pfaff	D15/124

* cited by examiner

Primary Examiner—Gary D. Watson

Assistant Examiner—Patricia Palasik

(57) **CLAIM**

The ornamental design for a bench grinder, as shown.

DESCRIPTION

FIG. 1 is a perspective view of a bench grinder showing my new design;

FIG. 2 is a front elevational view thereof;

FIG. 3 is a rear elevational view thereof;

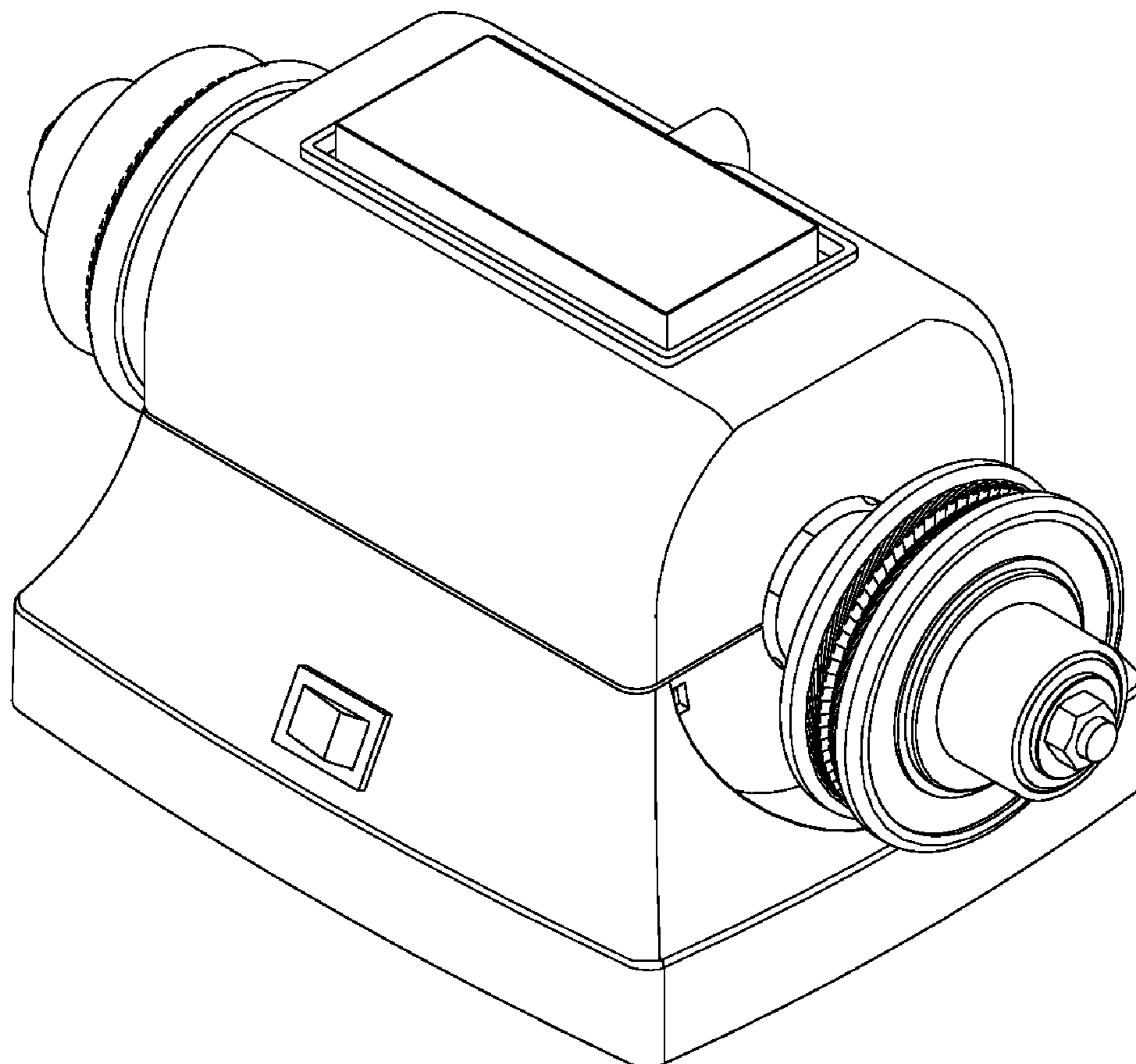
FIG. 4 is a right side view thereof;

FIG. 5 is a left side view thereof;

FIG. 6 is a top plan view thereof; and,

FIG. 7 is a bottom plan view thereof.

1 Claim, 4 Drawing Sheets



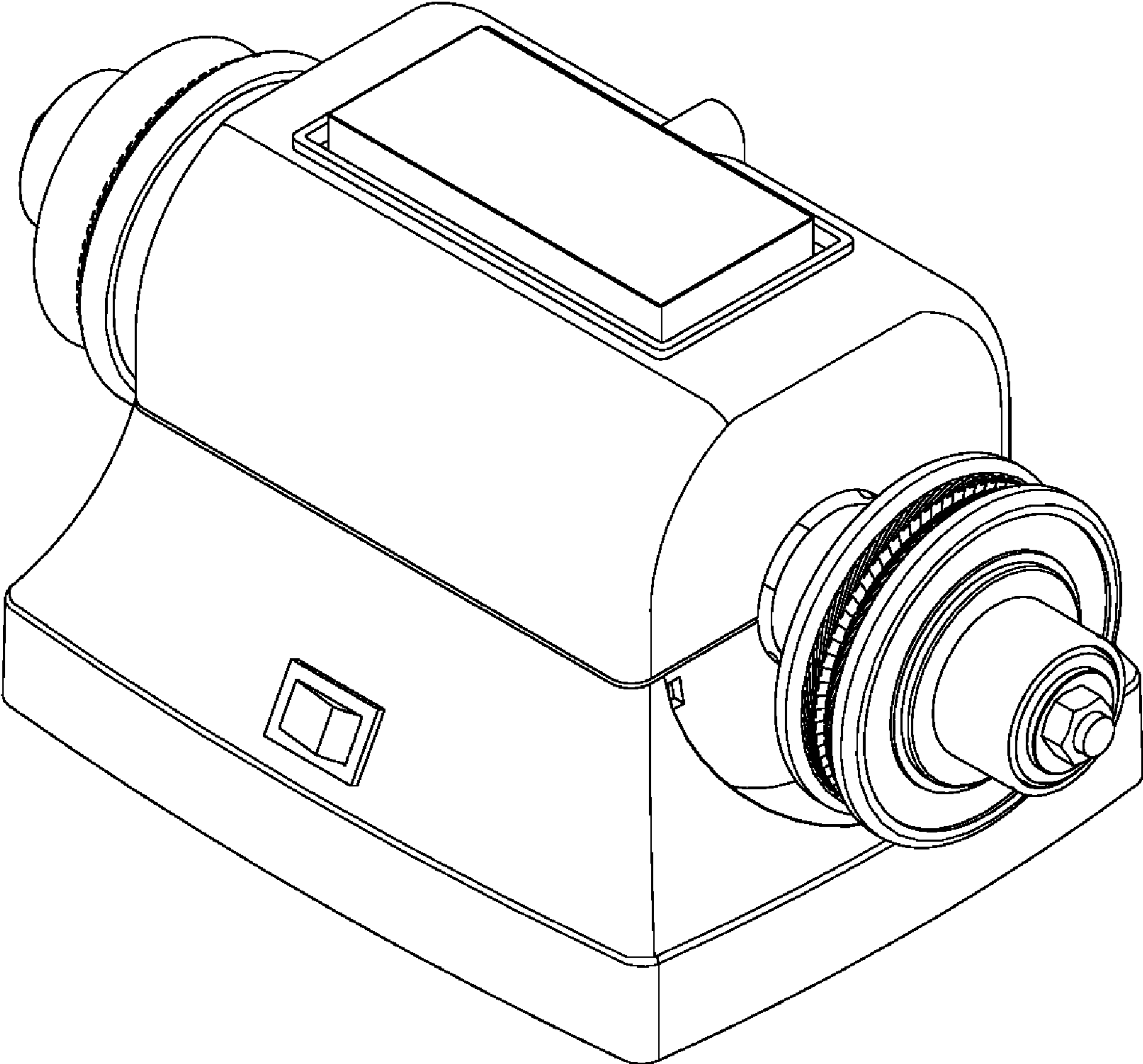


FIG. 1

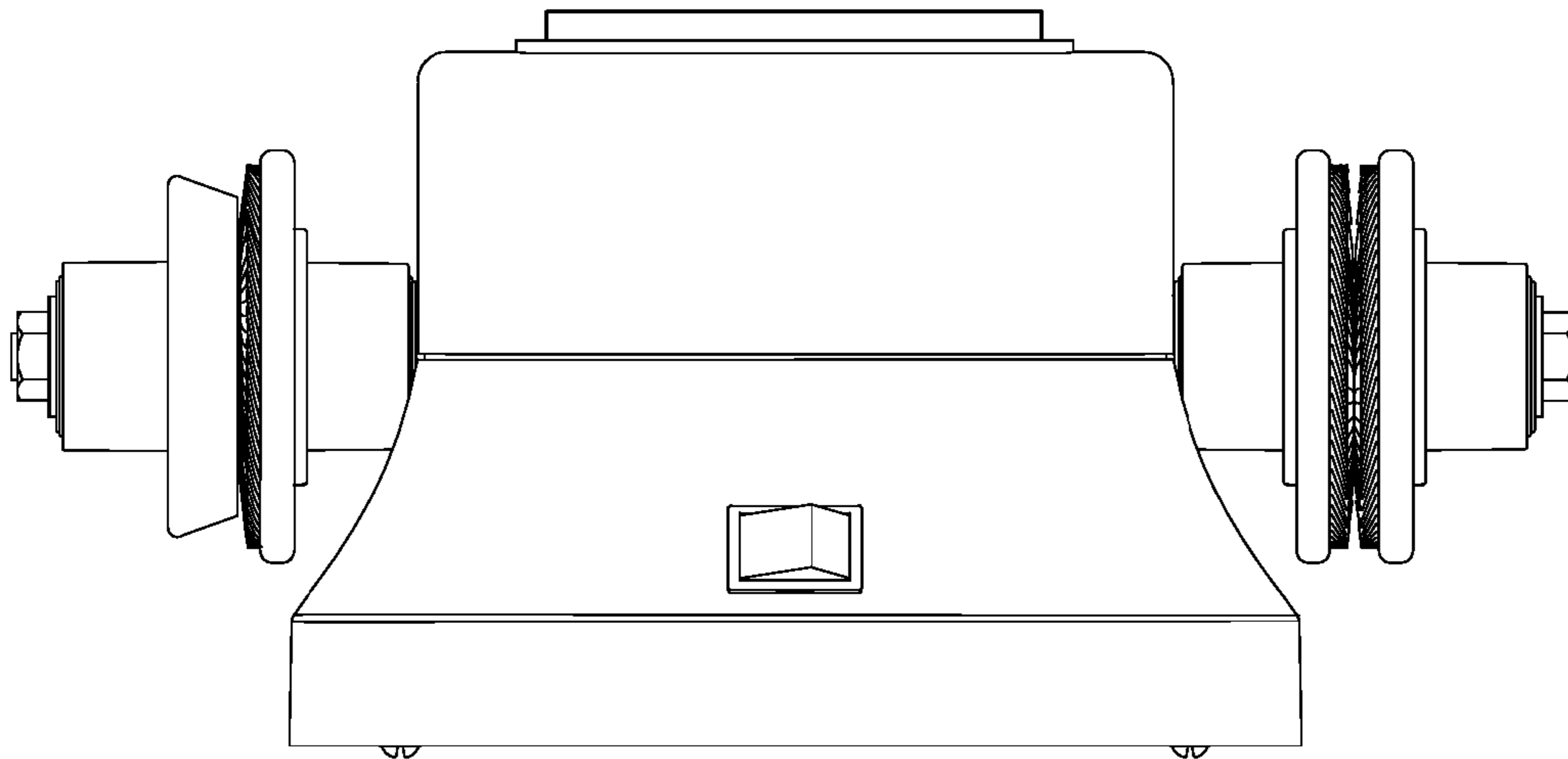


FIG. 2

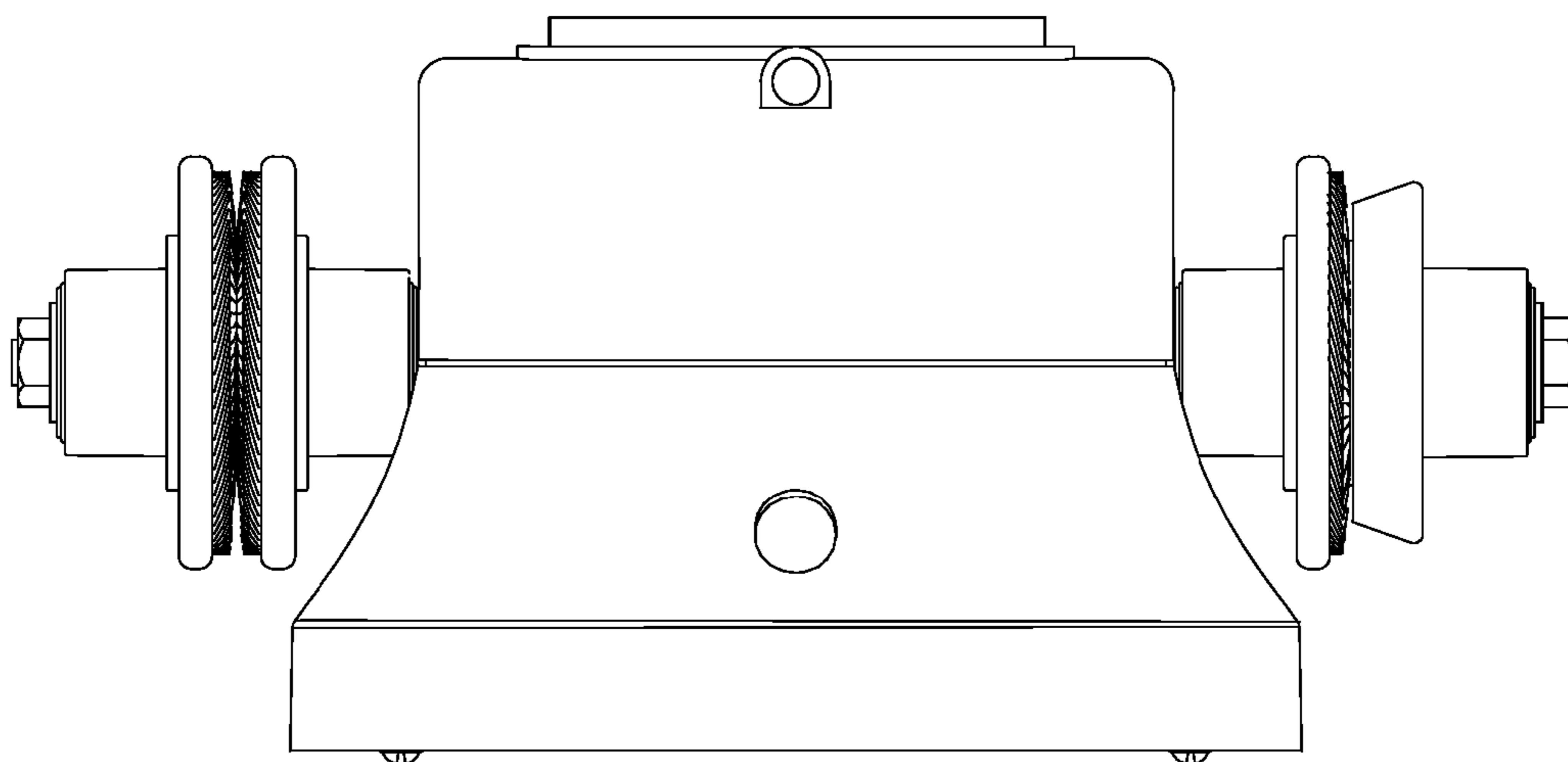


FIG. 3

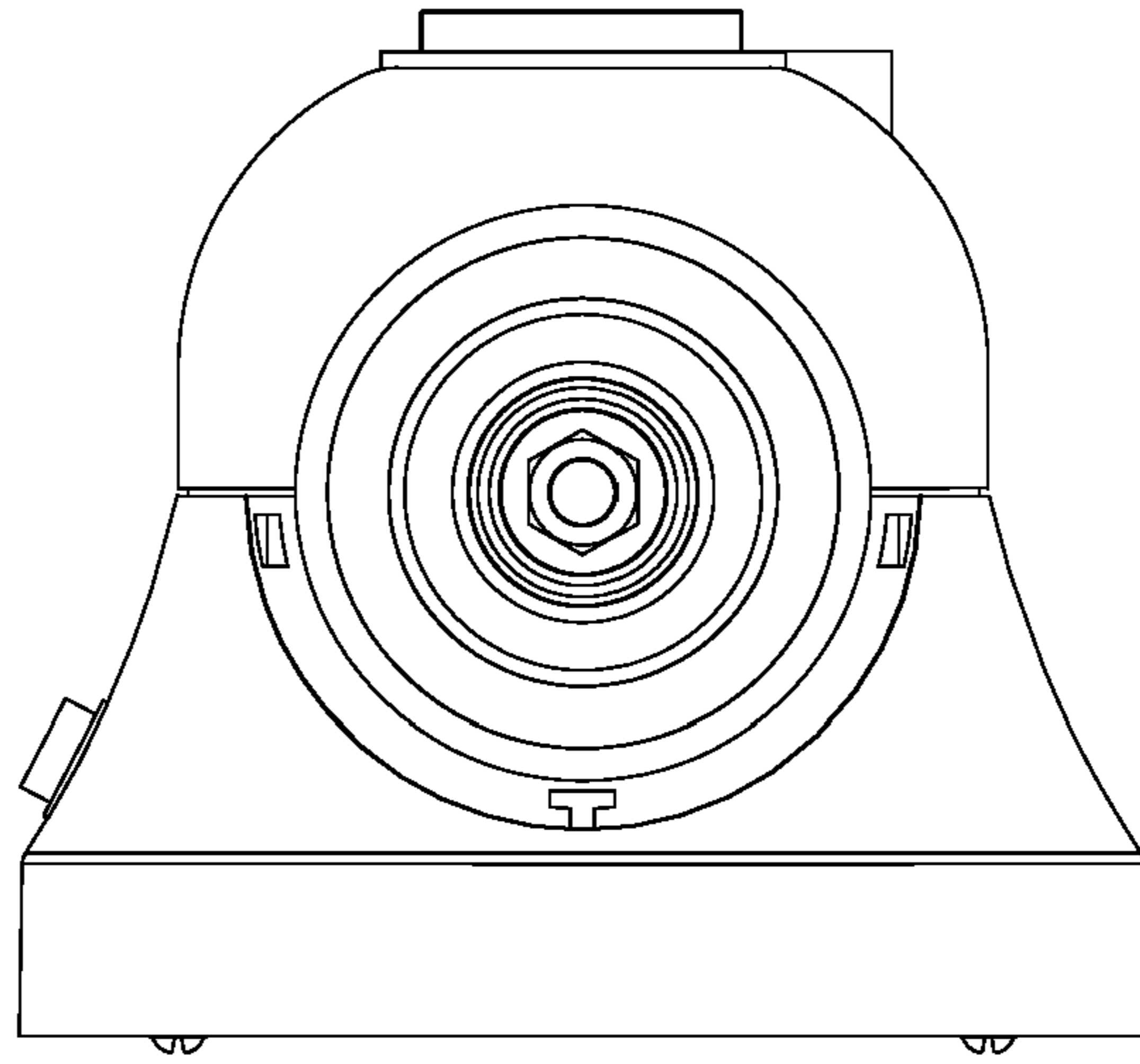


FIG. 4

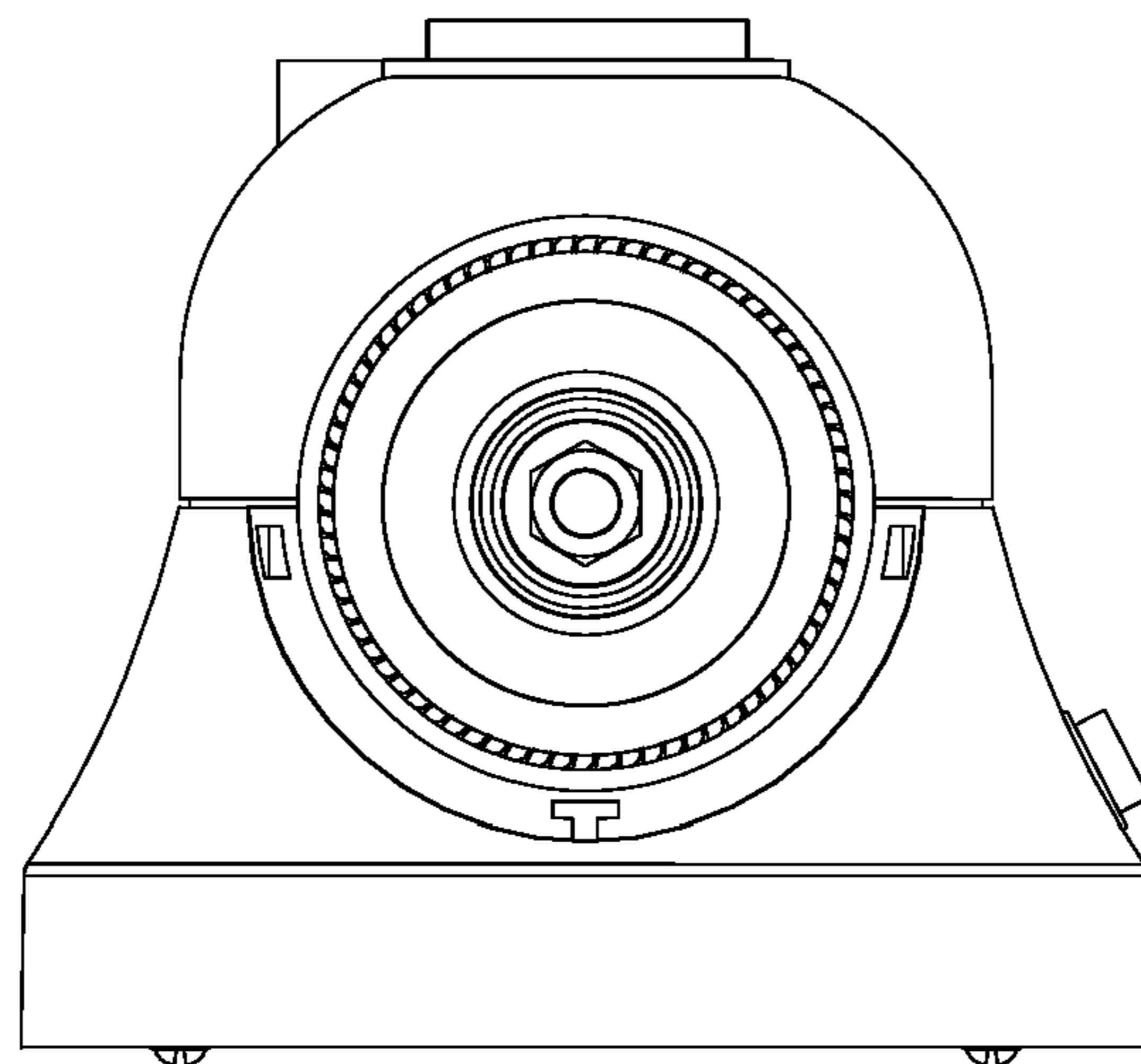


FIG. 5

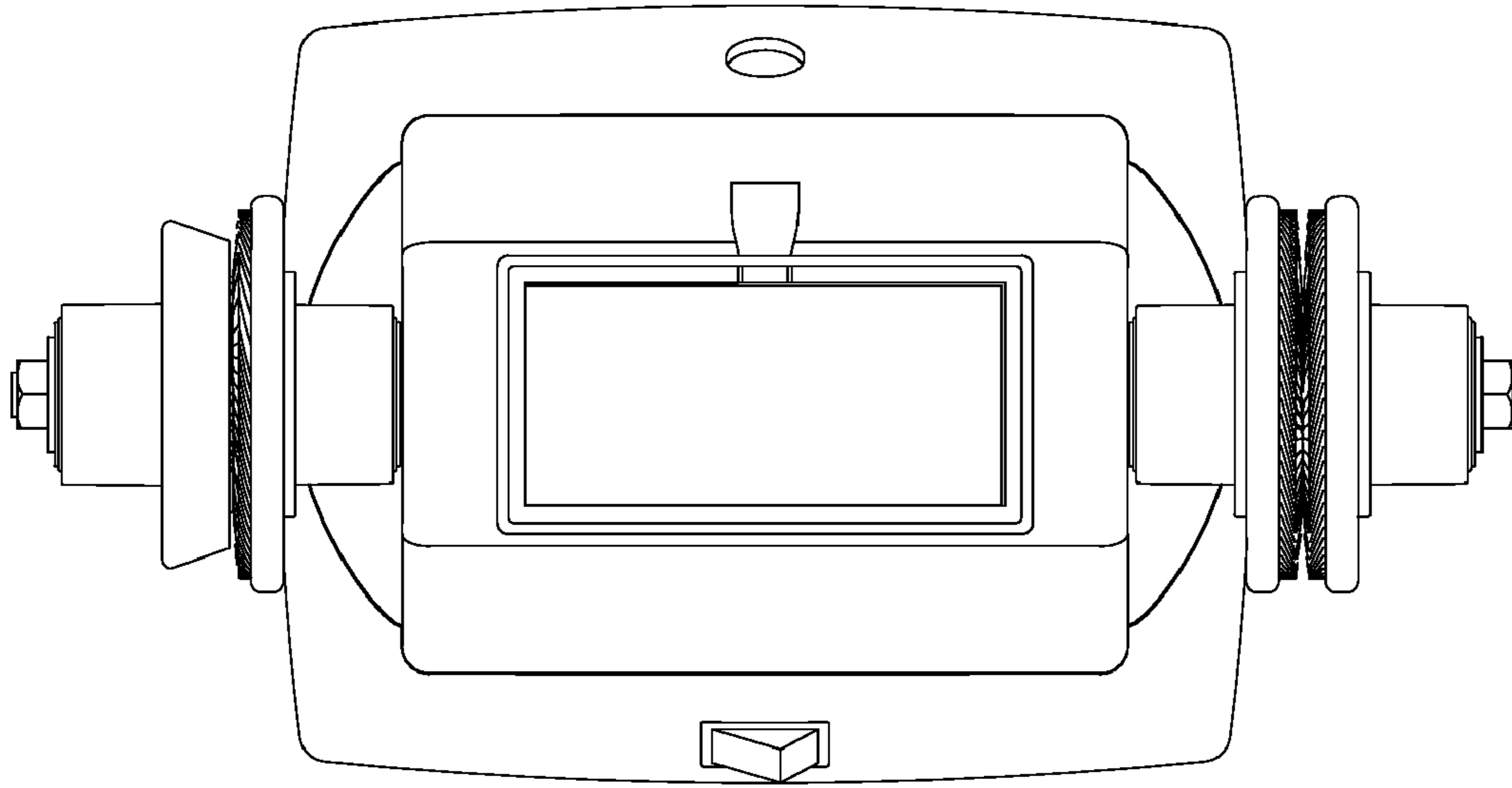


FIG. 6

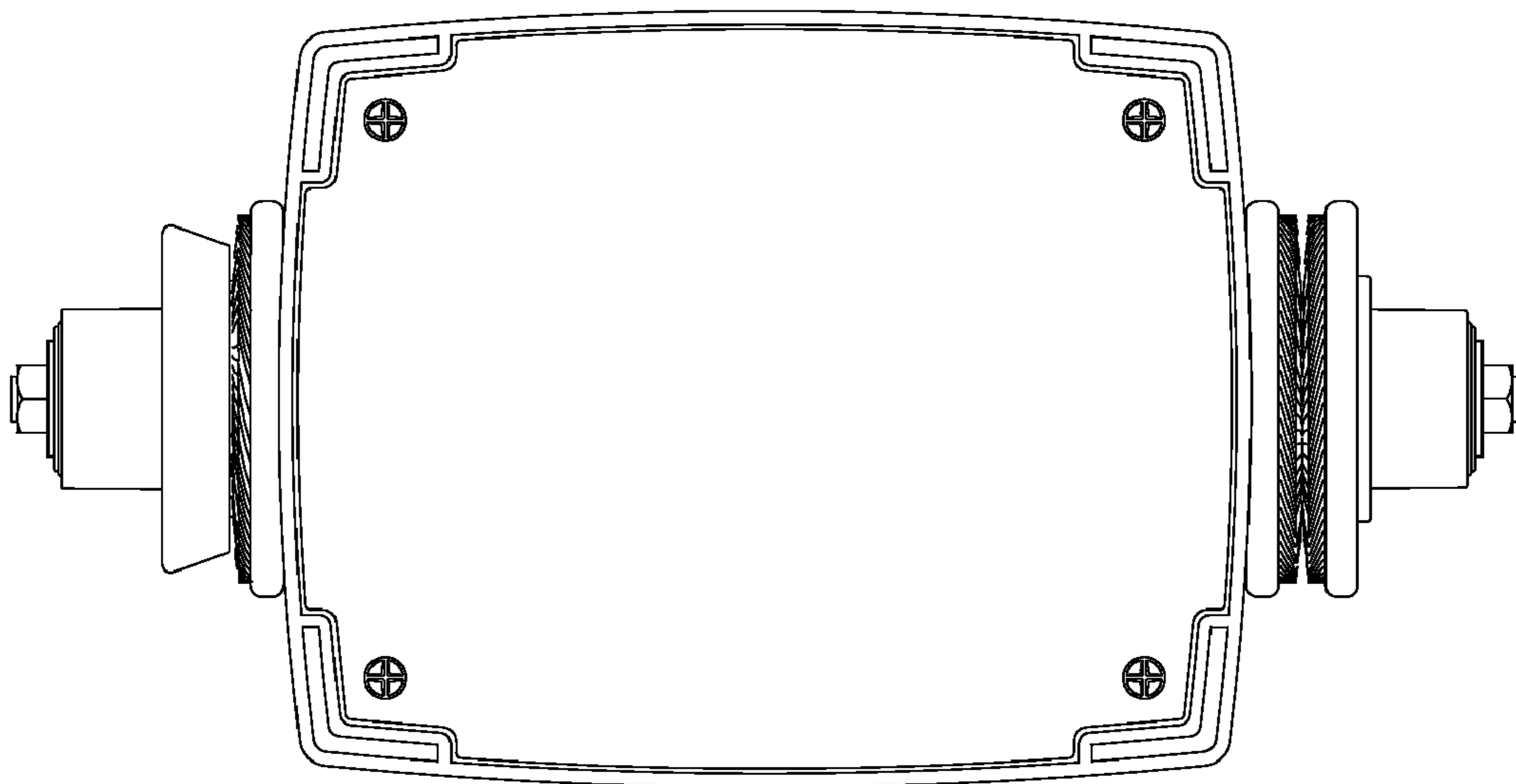


FIG. 7