



US00D558799S

(12) **United States Design Patent**
Higashikawa

(10) **Patent No.:** **US D558,799 S**
(45) **Date of Patent:** **** Jan. 1, 2008**

(54) **ENGINE HOOD FOR TRACTOR**
(75) Inventor: **Yoshitaka Higashikawa**, Sakai (JP)
(73) Assignee: **Kubota Corporation**, Osaka (JP)
(**) Term: **14 Years**
(21) Appl. No.: **29/266,353**
(22) Filed: **Sep. 19, 2006**

(30) **Foreign Application Priority Data**
Mar. 29, 2006 (JP) 2006-008016

(51) **LOC (8) Cl.** **15-03**
(52) **U.S. Cl.** **D15/31**
(58) **Field of Classification Search** D15/10,
D15/11, 13-17, 22-26, 31, 33; 180/89.1,
180/900, 89.12; 56/13.3, 13.4, 15.8, 15.9,
56/16.1, 16.7, 202, 255, 320.1
See application file for complete search history.

(56) **References Cited**

U.S. PATENT DOCUMENTS

D297,330 S * 8/1988 Monehaie et al. D15/31
D381,341 S * 7/1997 Goebert et al. D15/31
D383,470 S * 9/1997 Westimayer et al. D15/31
D389,492 S * 1/1998 Schmidt et al. D15/31
D413,905 S * 9/1999 Schmidt et al. D15/31
D451,106 S * 11/2001 Crookes et al. D15/31
D458,944 S * 6/2002 Crookes et al. D15/31
D465,500 S * 11/2002 Workman et al. D15/31

D474,206 S * 5/2003 Kuwae D15/31
D483,383 S * 12/2003 Crookes et al. D15/31
D488,488 S * 4/2004 Montgomery et al. D15/31
D488,489 S * 4/2004 Montgomery et al. D15/31
D495,344 S * 8/2004 Farlow et al. D15/31
D495,345 S * 8/2004 Farlow et al. D15/31
D497,370 S * 10/2004 Katoh D15/31
D512,079 S * 11/2005 Farlow et al. D15/31
D512,445 S * 12/2005 Farlow et al. D15/31

* cited by examiner

Primary Examiner—Stella M. Reid
Assistant Examiner—Mark Goodwin
(74) *Attorney, Agent, or Firm*—The Webb Law Firm

(57) **CLAIM**

The ornamental design for an engine hood for tractor, as shown and described.

DESCRIPTION

FIG. 1 is a front view of an engine hood for tractor showing my new design;

FIG. 2 is a left side view thereof;

FIG. 3 is a right side view thereof;

FIG. 4 is a top plan view thereof; and,

FIG. 5 is a perspective view thereof.

The broken line showing in the headlamp region is included for the purpose of illustrating environmental structure and forms no part of the claimed design.

1 Claim, 5 Drawing Sheets

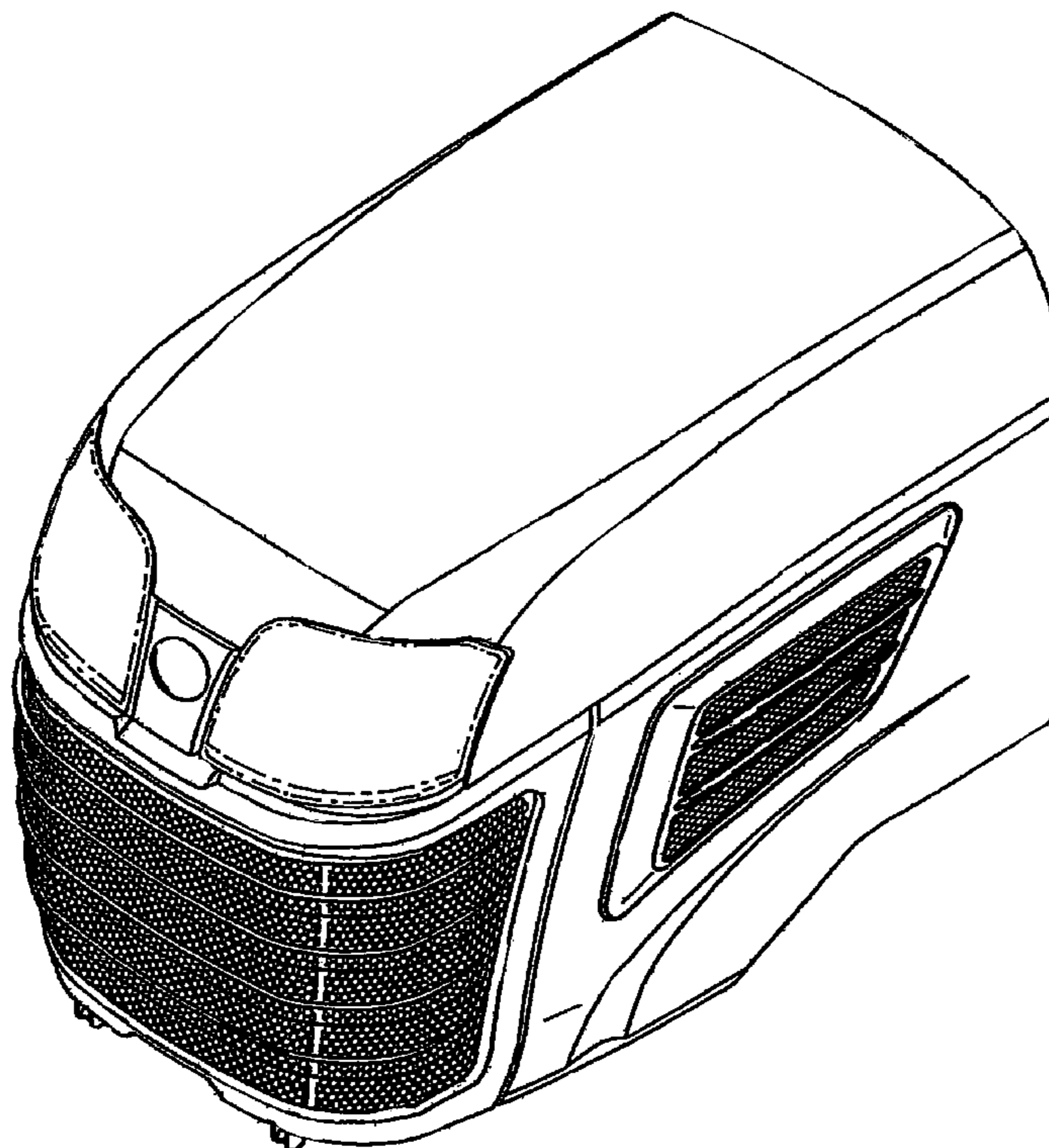


Fig. 1

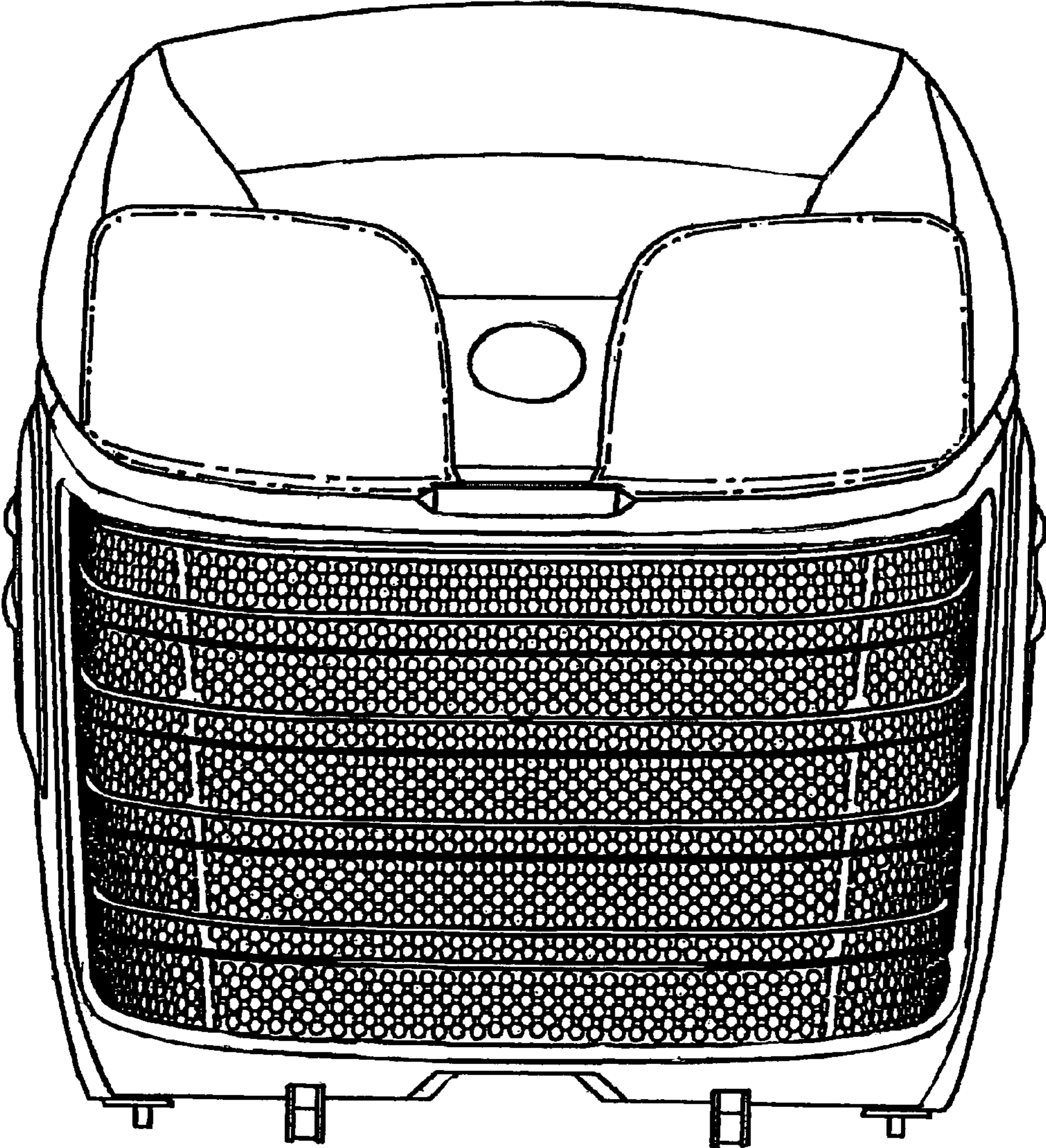


Fig. 2

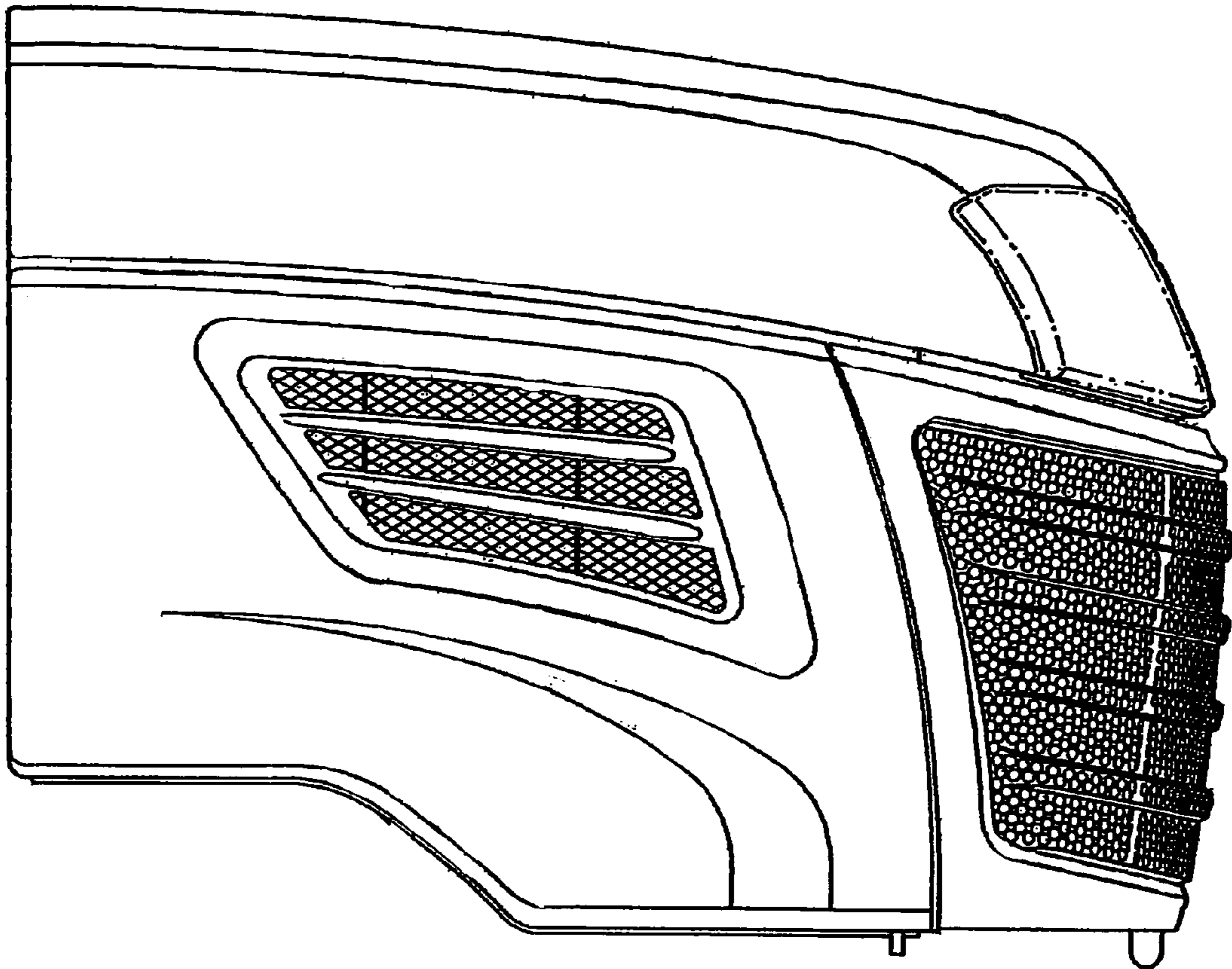


Fig. 3

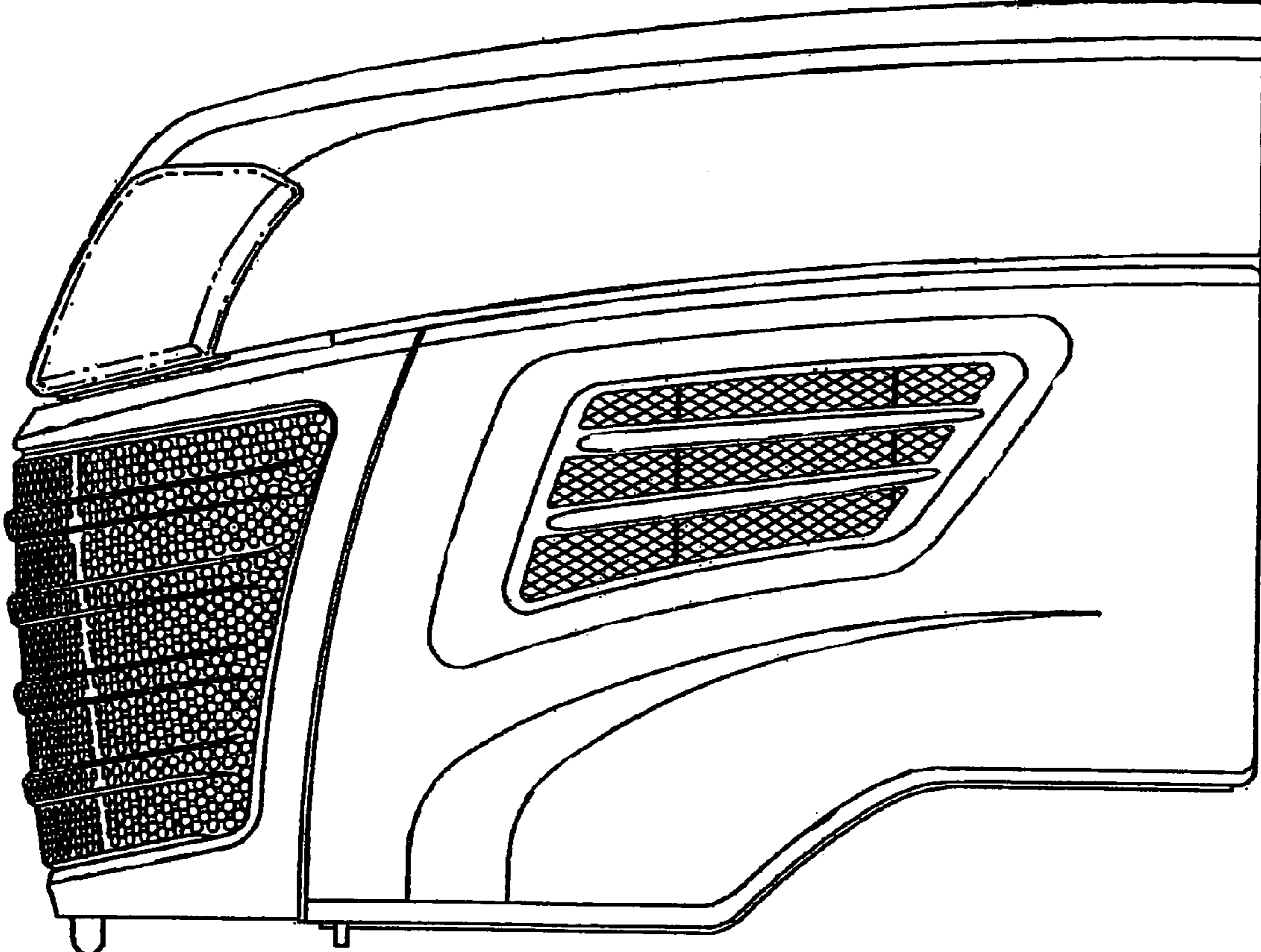


Fig. 4

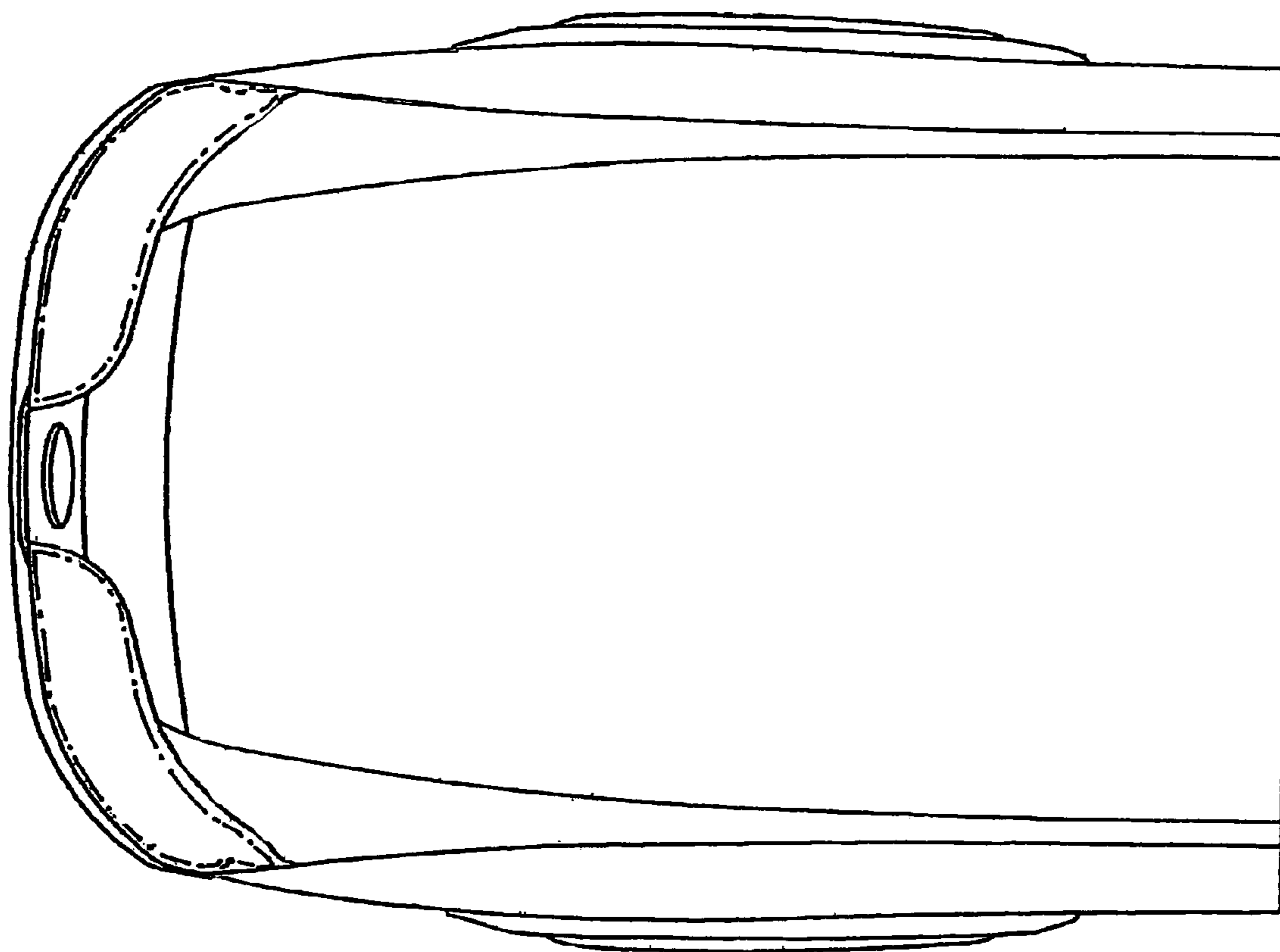


Fig. 5

