



US00D558798S

(12) **United States Design Patent**  
**Sakitani et al.**

(10) **Patent No.: US D558,798 S**  
(45) **Date of Patent: \*\* Jan. 1, 2008**

(54) **COVER FOR PARTS FOR A CONSTRUCTION MACHINE**  
(75) Inventors: **Shintaro Sakitani**, Hiroshima (JP);  
**Isao Miyachi**, Hiroshima (JP)

(73) Assignee: **Kobelco Construction Machinery Co., Ltd.**, Hiroshima-shi (JP)

(\*\*) Term: **14 Years**

(21) Appl. No.: **29/264,558**

(22) Filed: **Aug. 14, 2006**

(30) **Foreign Application Priority Data**

Feb. 13, 2006 (JP) ..... 2006-003174

(51) **LOC (8) Cl.** ..... **15-03**

(52) **U.S. Cl.** ..... **D15/28**

(58) **Field of Classification Search** ..... D15/10,  
D15/21-26, 28, 29, 32, 33; 212/178, 197,  
212/195; 414/719, 694, 699, 722-724; 37/449;  
180/89.1, 89.12, 235, 900  
See application file for complete search history.

(56) **References Cited**

**U.S. PATENT DOCUMENTS**

4,397,481 A \* 8/1983 Dion et al. .... 280/781  
D271,396 S \* 11/1983 Inui ..... D15/24  
D284,577 S \* 7/1986 DuBose ..... D15/28  
D437,602 S \* 2/2001 Hiraoka et al. .... D15/25  
D440,236 S \* 4/2001 Kraft et al. .... D15/28  
D460,975 S \* 7/2002 Yanagida et al. .... D15/25

D462,701 S \* 9/2002 Crabb et al. .... D15/28  
D462,974 S \* 9/2002 Yanagida et al. .... D15/25  
D500,056 S \* 12/2004 DeYoung et al. .... D15/33  
2004/0173395 A1 \* 9/2004 Arai et al. .... 180/68.1  
2005/0000746 A1 \* 1/2005 Imashige ..... 180/69.24

**FOREIGN PATENT DOCUMENTS**

JP 1006169 3/1998  
JP 1103215 3/2001

\* cited by examiner

*Primary Examiner*—Stella M. Reid

*Assistant Examiner*—Mark Goodwin

(74) *Attorney, Agent, or Firm*—Oblon, Spivak, McClelland,  
Maier & Neustadt, P.C.

(57) **CLAIM**

The ornamental design for a cover for parts for a construction machine, or the like, as shown and described.

**DESCRIPTION**

FIG. 1 is a front elevational view of a cover for parts for a construction machine, showing our design;

FIG. 2 is a rear elevational view thereof;

FIG. 3 is a left side elevational view thereof;

FIG. 4 is a right side elevational view thereof;

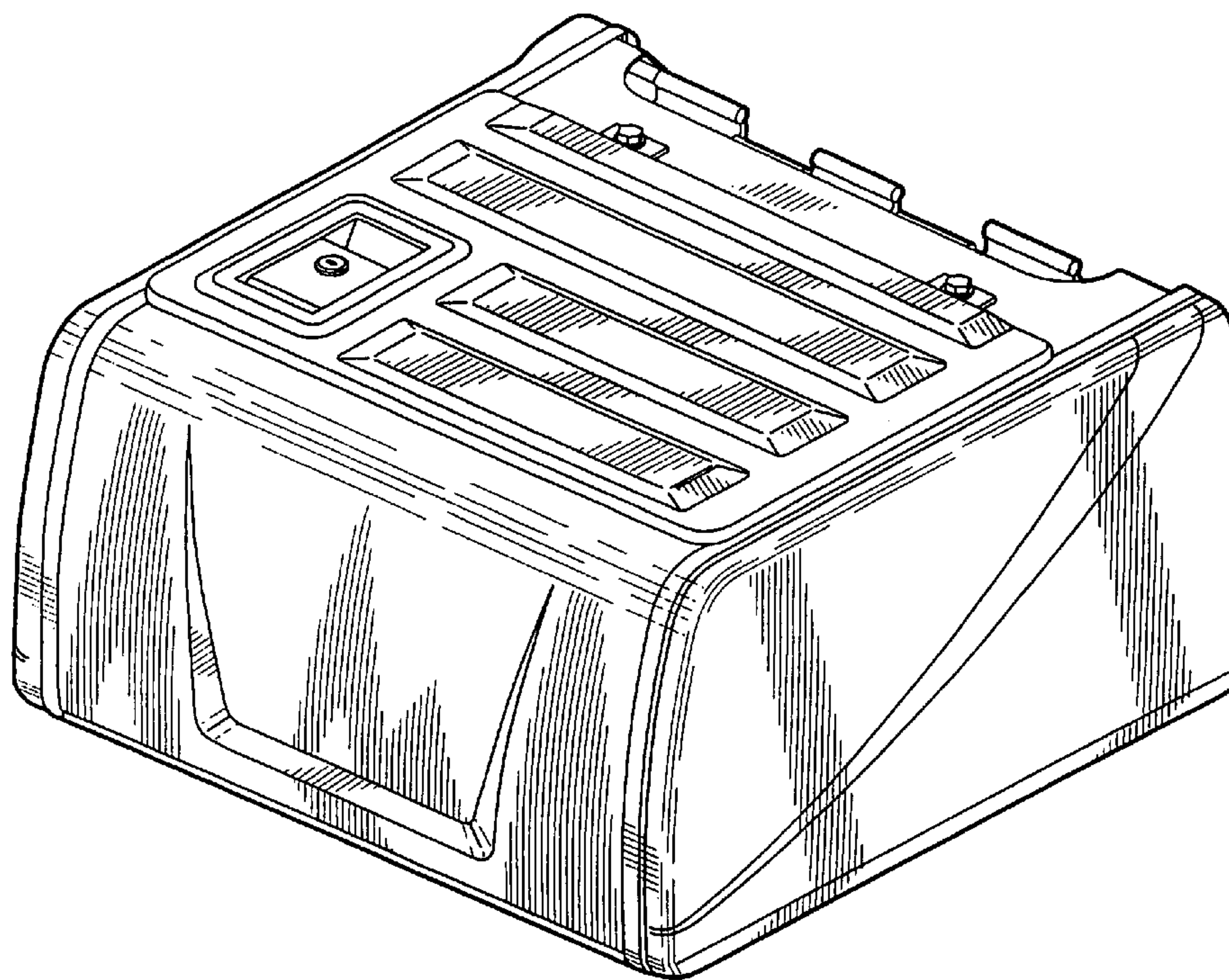
FIG. 5 is a top plan view thereof;

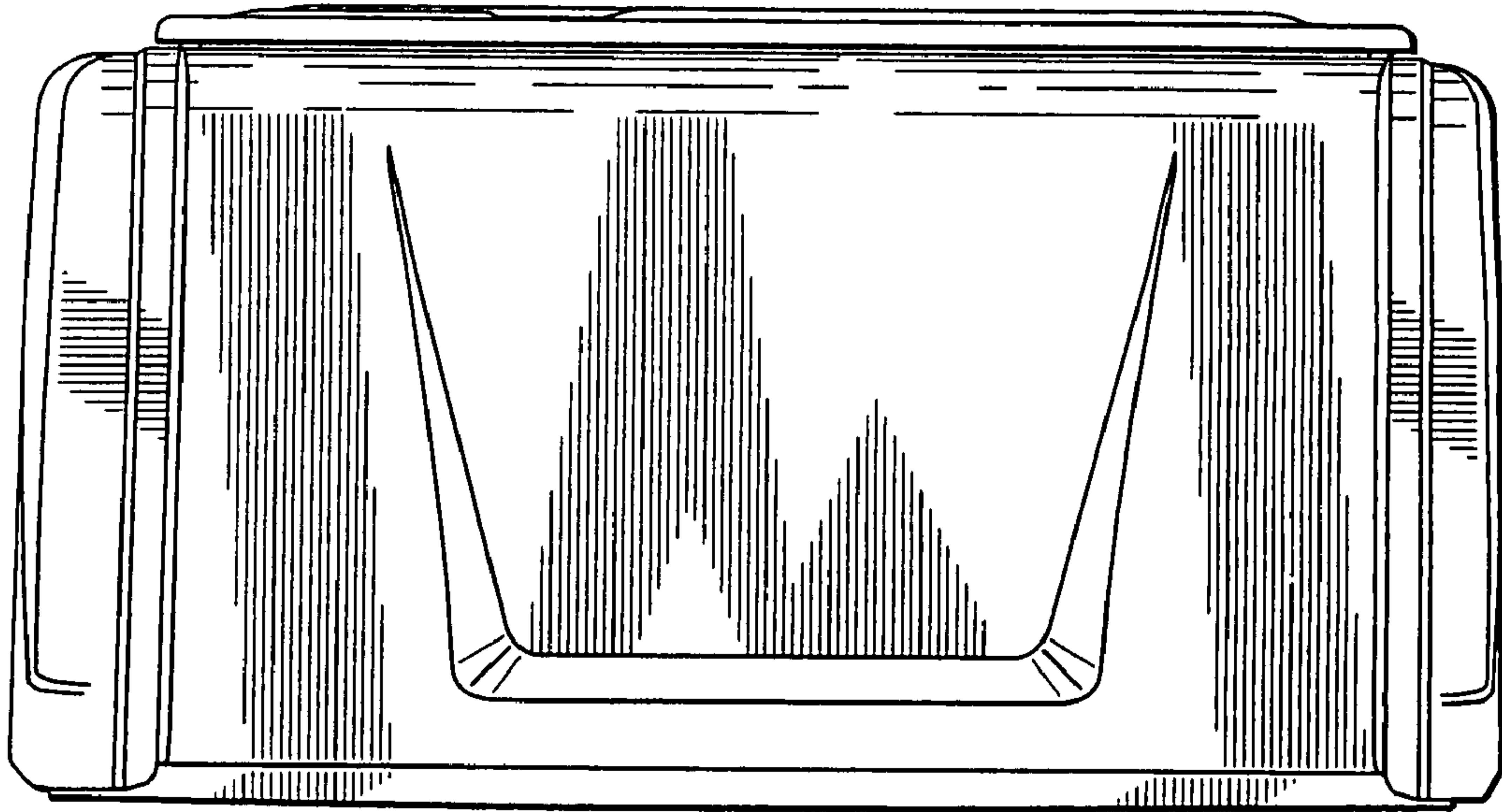
FIG. 6 is a bottom plan view thereof;

FIG. 7 is a top and left front perspective view thereof; and,

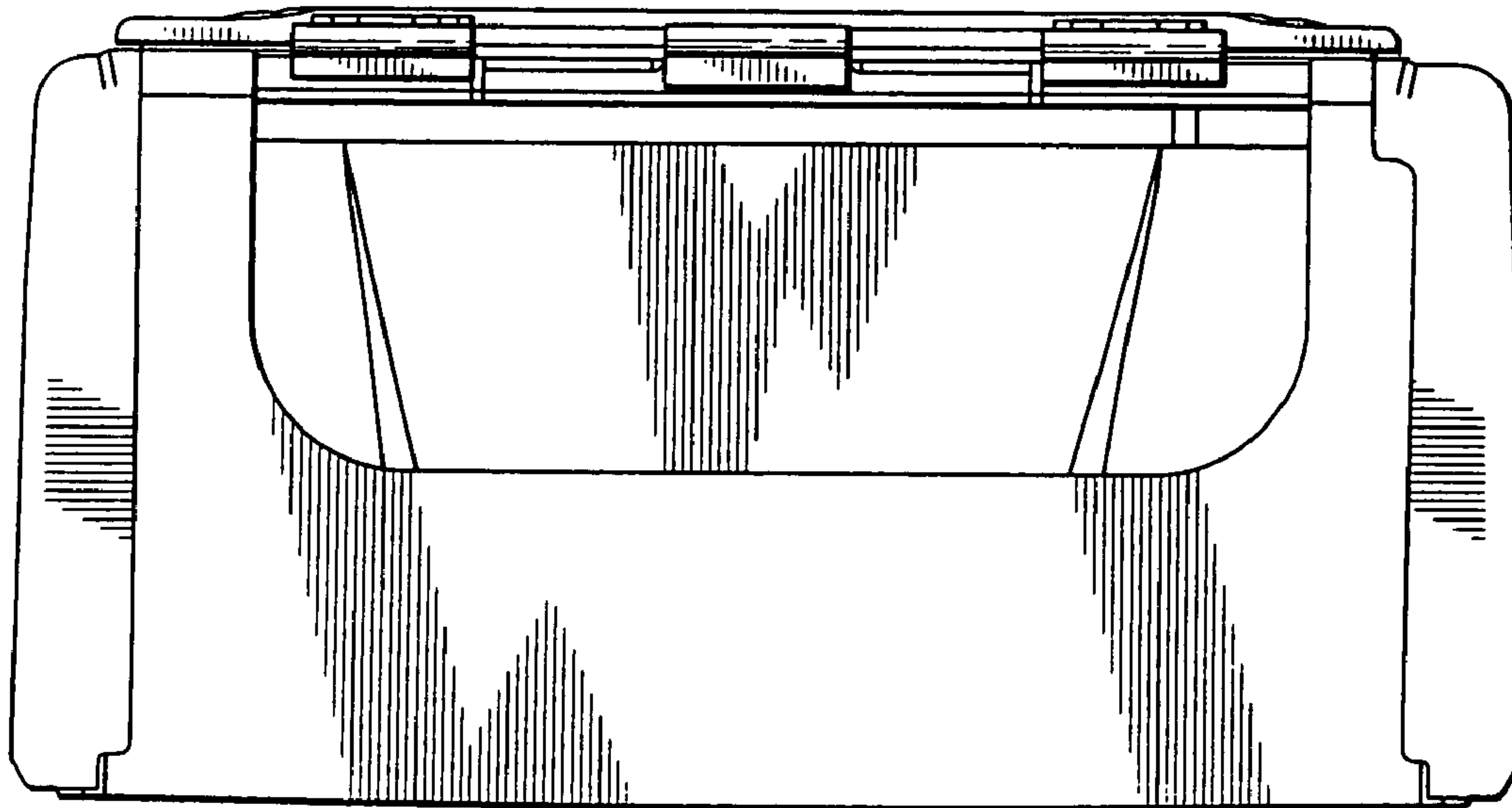
FIG. 8 is a top and left rear perspective view thereof.

**1 Claim, 6 Drawing Sheets**

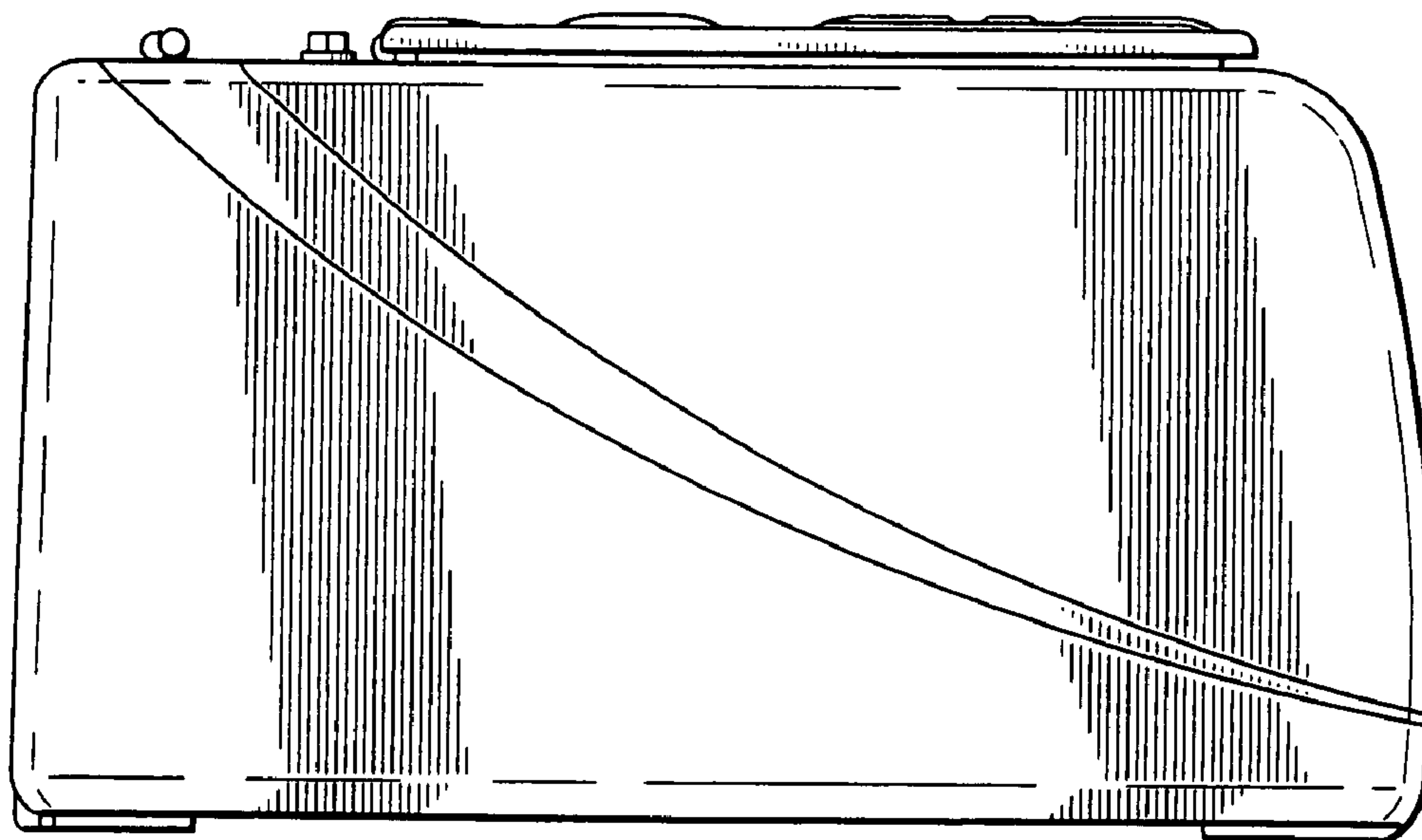




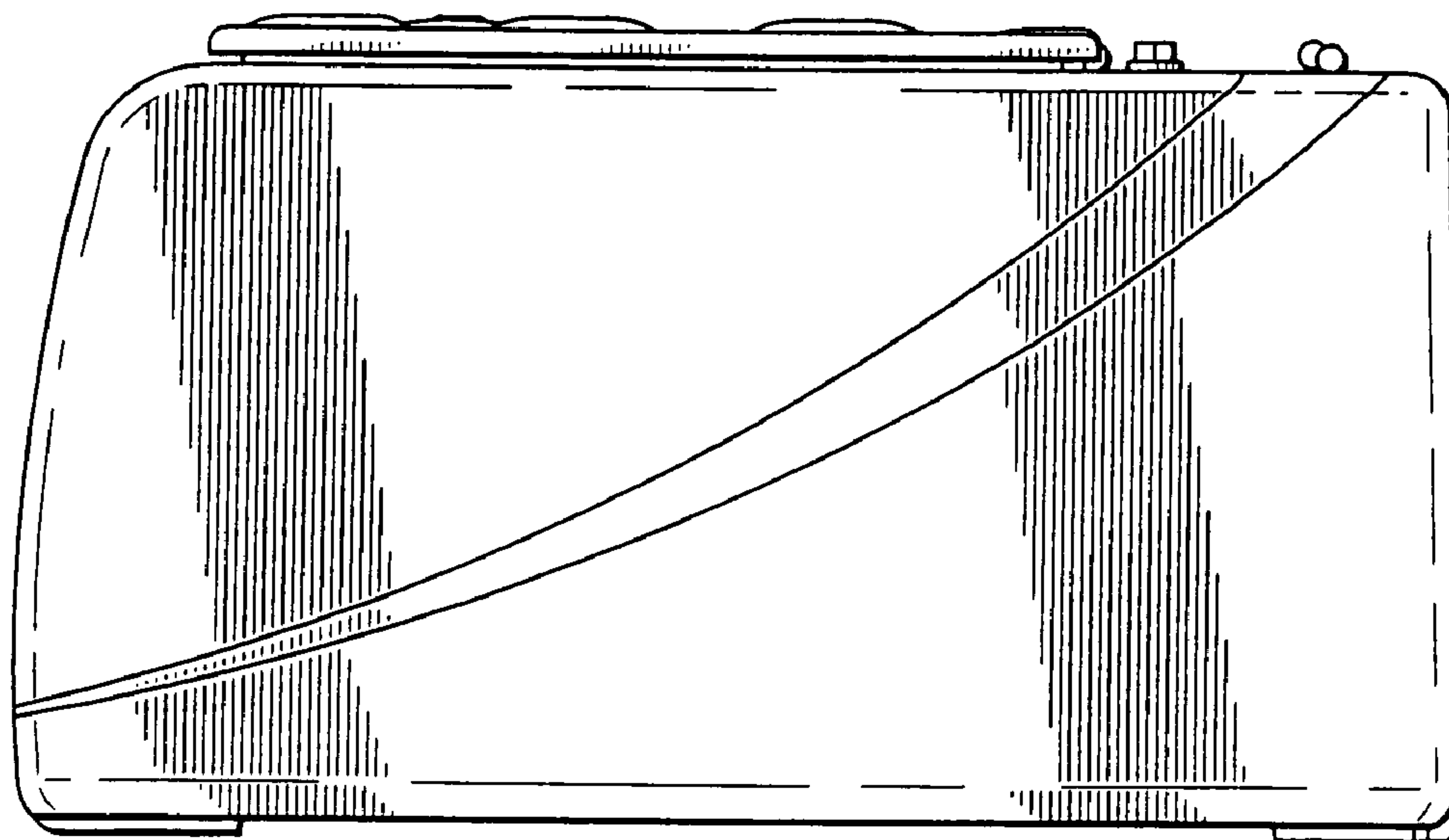
*Fig. 1*



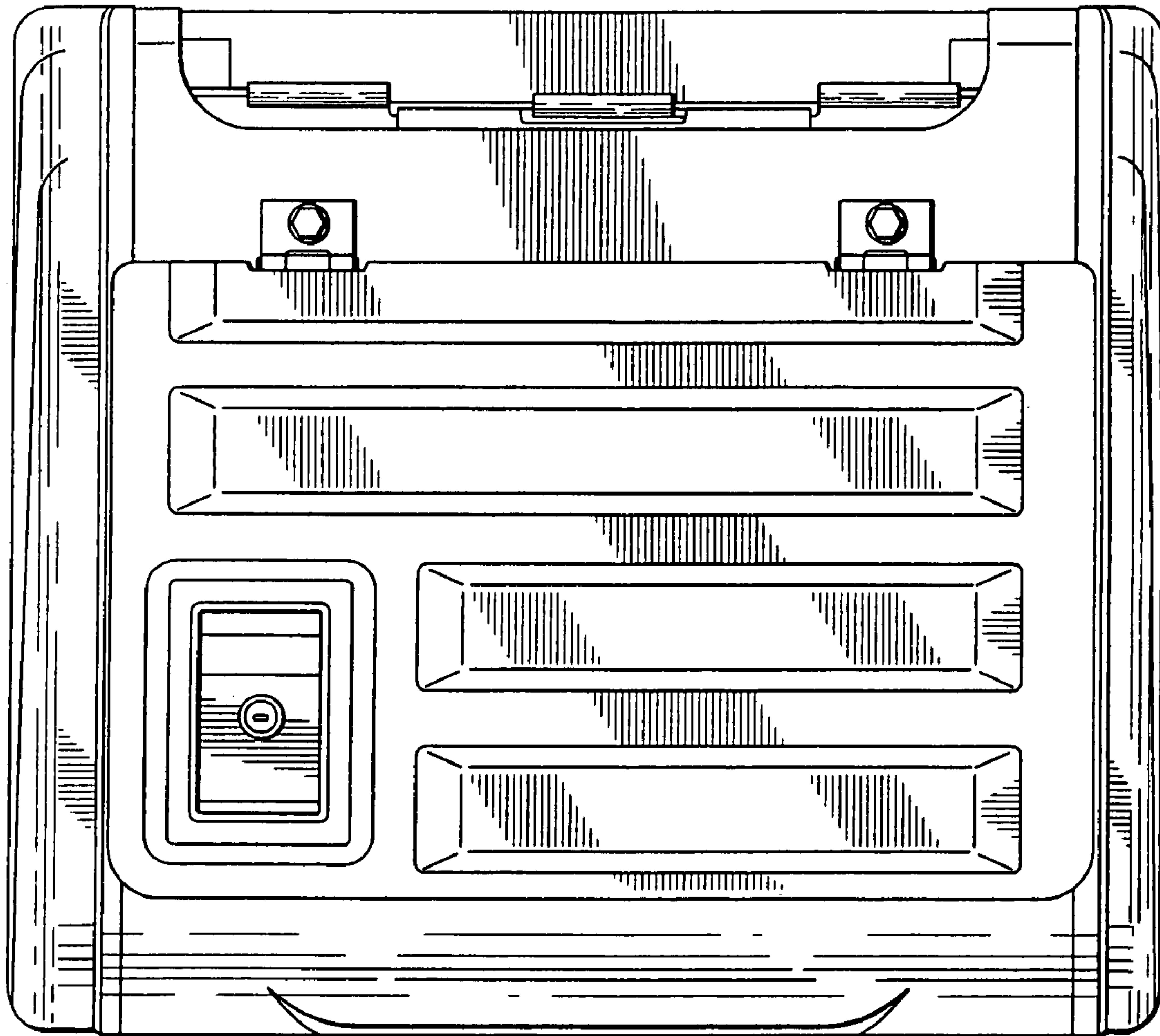
*Fig. 2*



*Fig. 3*

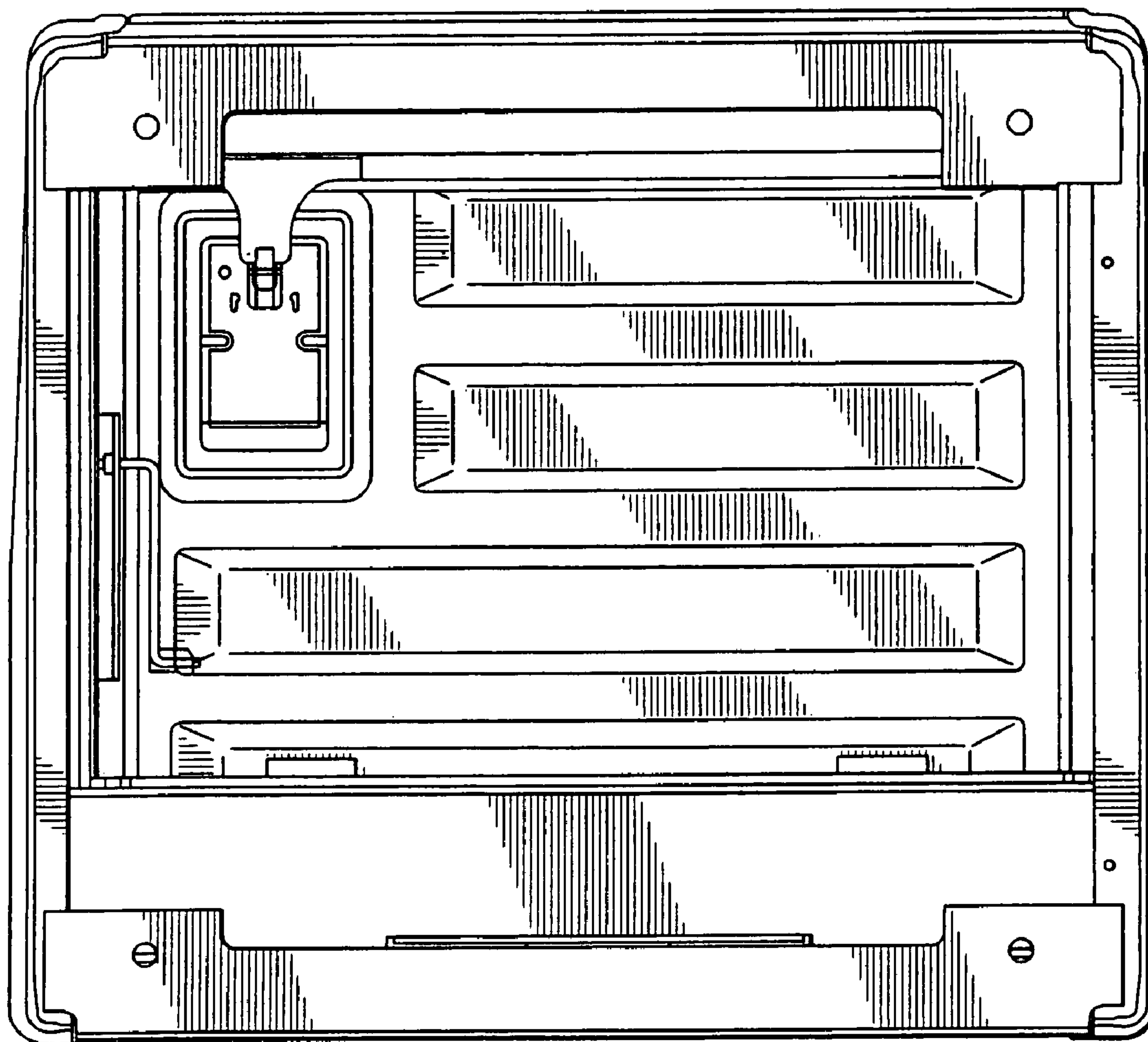


*Fig. 4*

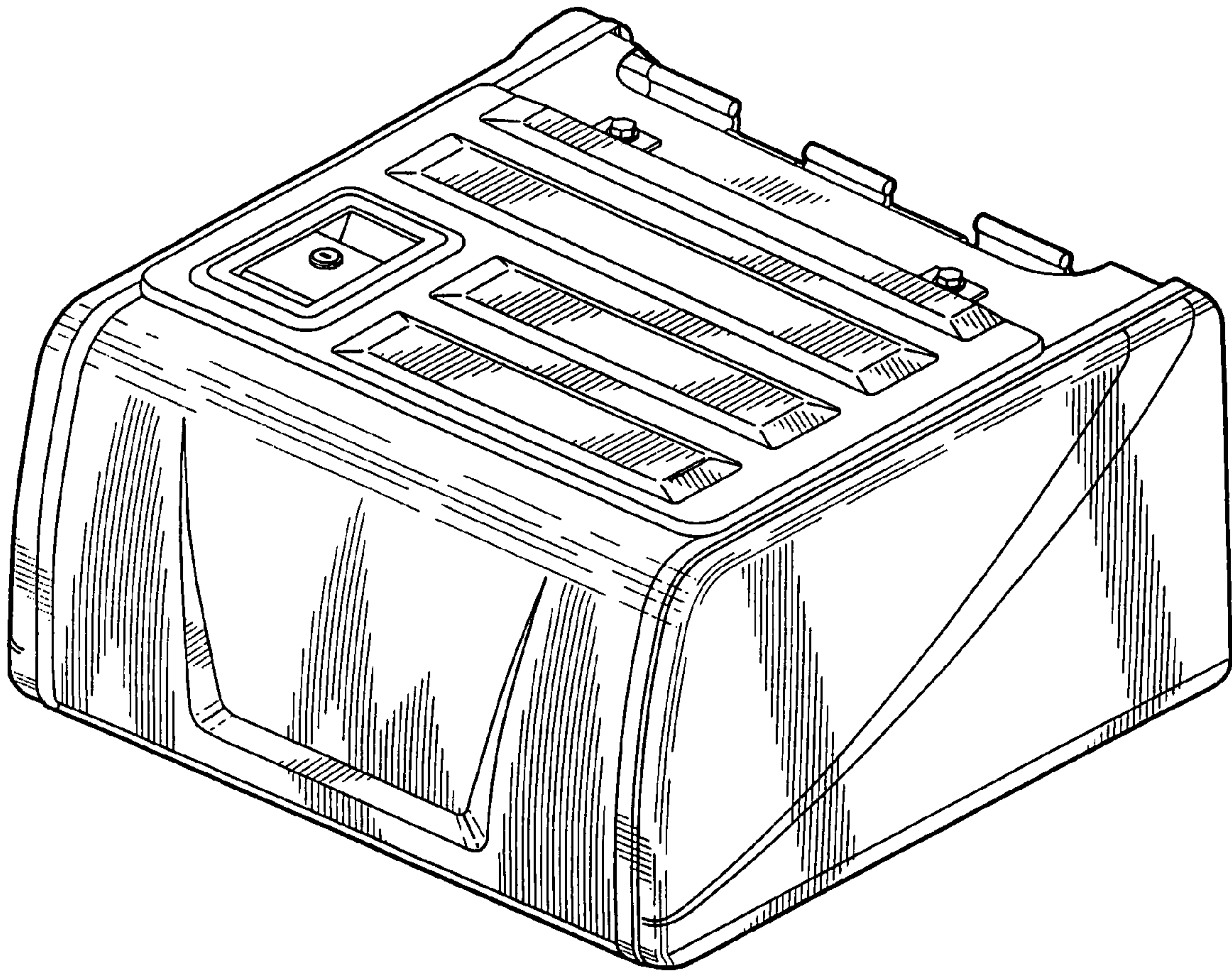


*Fig. 5*

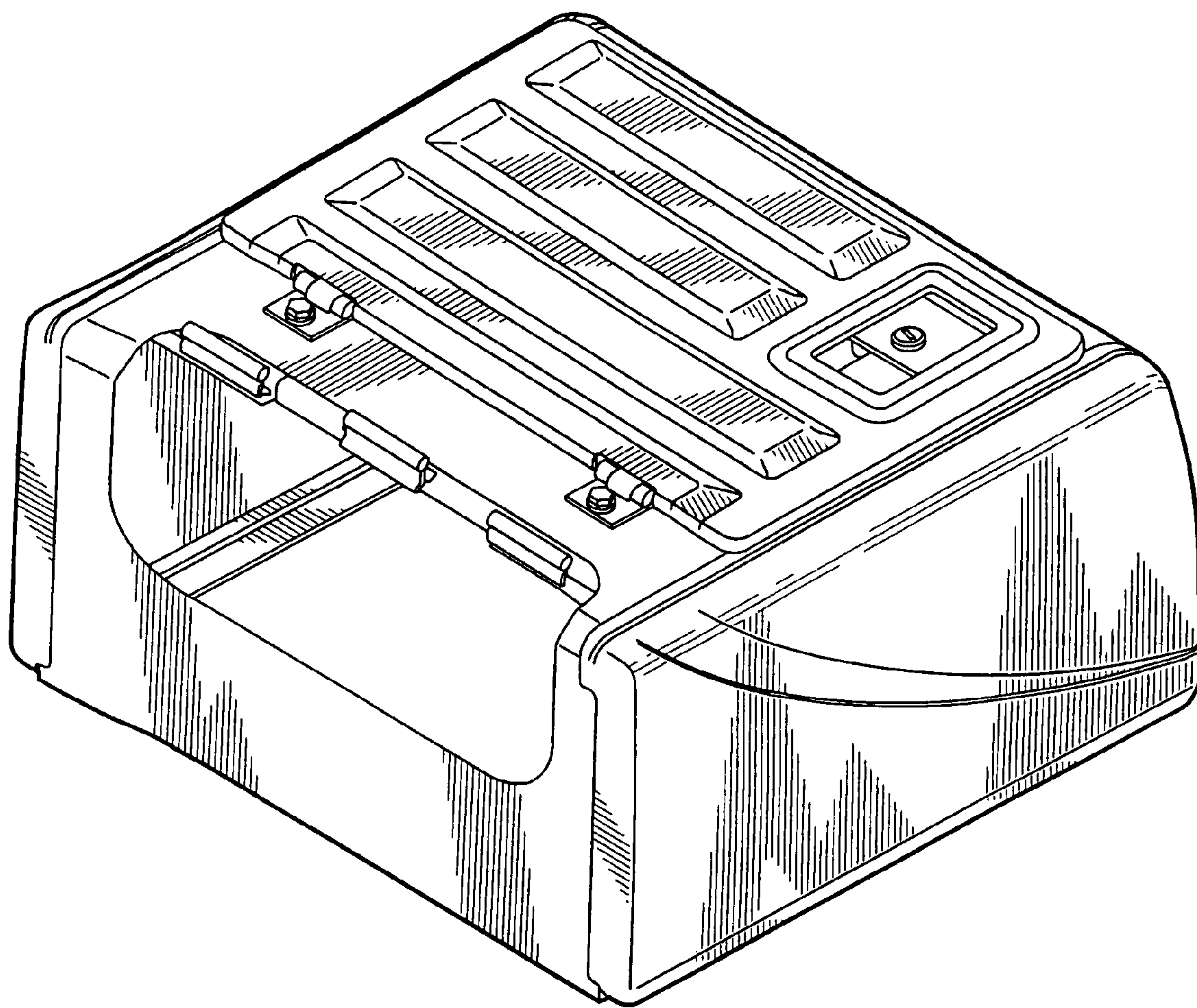




*Fig. 6*



*Fig. 7*



*Fig. 8*