



US00D558797S

(12) **United States Design Patent**  
**Yamamoto et al.**

(10) **Patent No.:** **US D558,797 S**  
(45) **Date of Patent:** **\*\* Jan. 1, 2008**

(54) **TRACTOR**

(75) Inventors: **Noboru Yamamoto**, Osaka (JP);  
**Susumu Akashima**, Osaka (JP)

(73) Assignee: **Yanmar Co., Ltd.**, Osaka (JP)

(\*\*) Term: **14 Years**

(21) Appl. No.: **29/271,948**

(22) Filed: **Jan. 29, 2007**

(51) **LOC (8) Cl.** ..... **15-03**

(52) **U.S. Cl.** ..... **D15/26; D15/23**

(58) **Field of Classification Search** ..... D15/10,  
D15/14, 15, 22-26, 31, 33; 180/89.1, 89.12,  
180/900, 291; 56/16.7, 202, 255-257, 294,  
56/320.1, 320.2, 10.1, 14.7

See application file for complete search history.

(56) **References Cited**

**U.S. PATENT DOCUMENTS**

D274,524 S *	7/1984	Koval et al. ....	D15/23
D306,301 S *	2/1990	Funabashi et al. ....	D15/23
D329,435 S *	9/1992	Katoh et al. ....	D15/23
D378,755 S *	4/1997	Kato et al. ....	D15/23
D422,606 S *	4/2000	Katoh et al. ....	D15/23
D438,546 S *	3/2001	Katoh et al. ....	D15/23

D501,487 S *	2/2005	Katoh et al. ....	D15/23
D525,992 S *	8/2006	Higashikawa et al. ....	D15/6
D526,335 S *	8/2006	Kuwae et al. ....	D15/23

\* cited by examiner

*Primary Examiner*—Stella M. Reid  
*Assistant Examiner*—Mark Goodwin

(74) *Attorney, Agent, or Firm*—Hamre, Schumann, Mueller & Larson, P.C.

(57) **CLAIM**

We claim the ornamental design for a tractor, as shown and described.

**DESCRIPTION**

FIG. 1 is a front-side perspective view of a tractor embodying our new design;

FIG. 2 is a rear-side perspective view of the tractor;

FIG. 3 is a left side view of the tractor;

FIG. 4 is a right side view of the tractor;

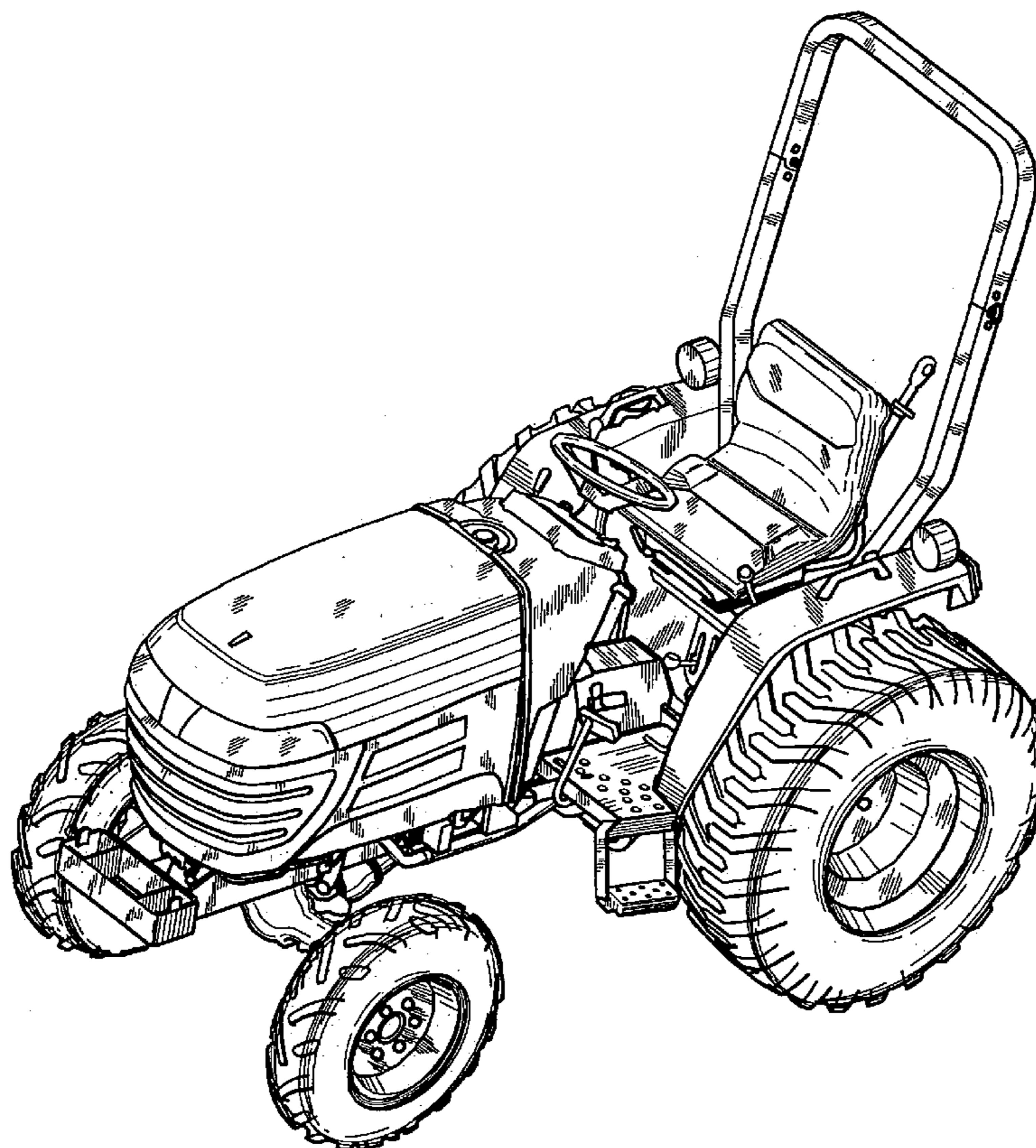
FIG. 5 is a top plan view of the tractor;

FIG. 6 is a bottom view of the tractor;

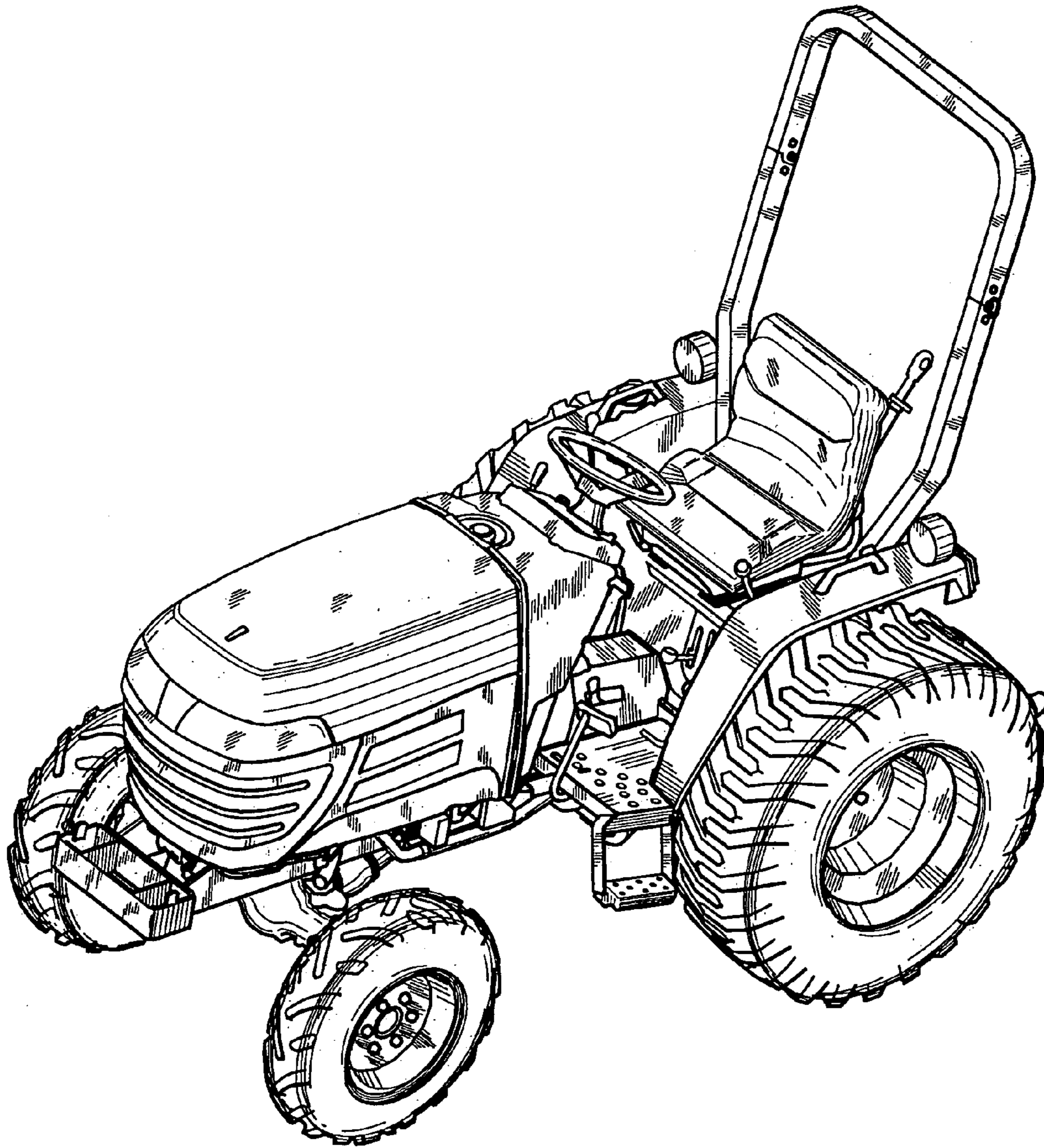
FIG. 7 is a front view of the tractor; and,

FIG. 8 is a rear view of the tractor.

**1 Claim, 8 Drawing Sheets**



F I G . 1



F I G . 2

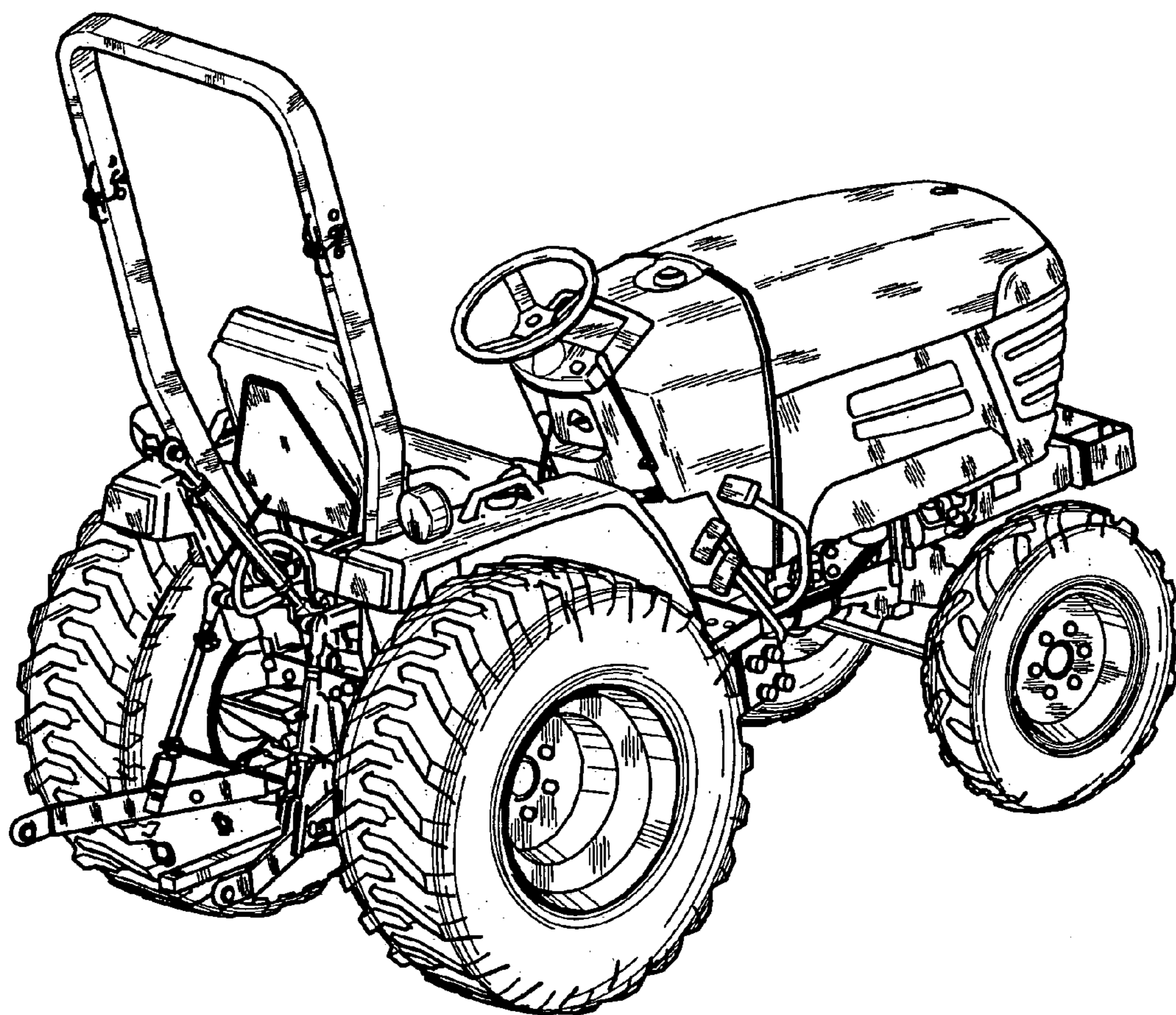


FIG. 3

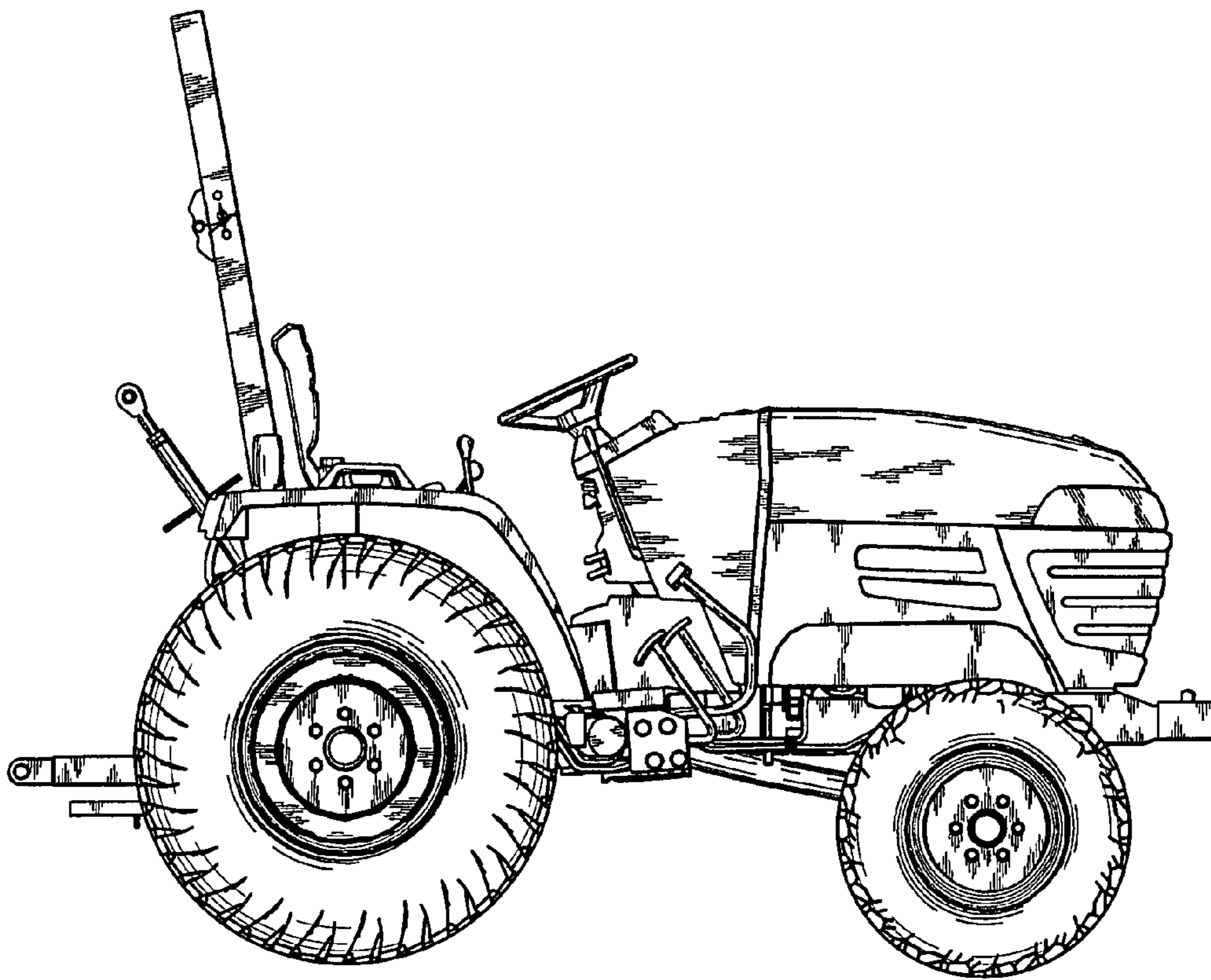
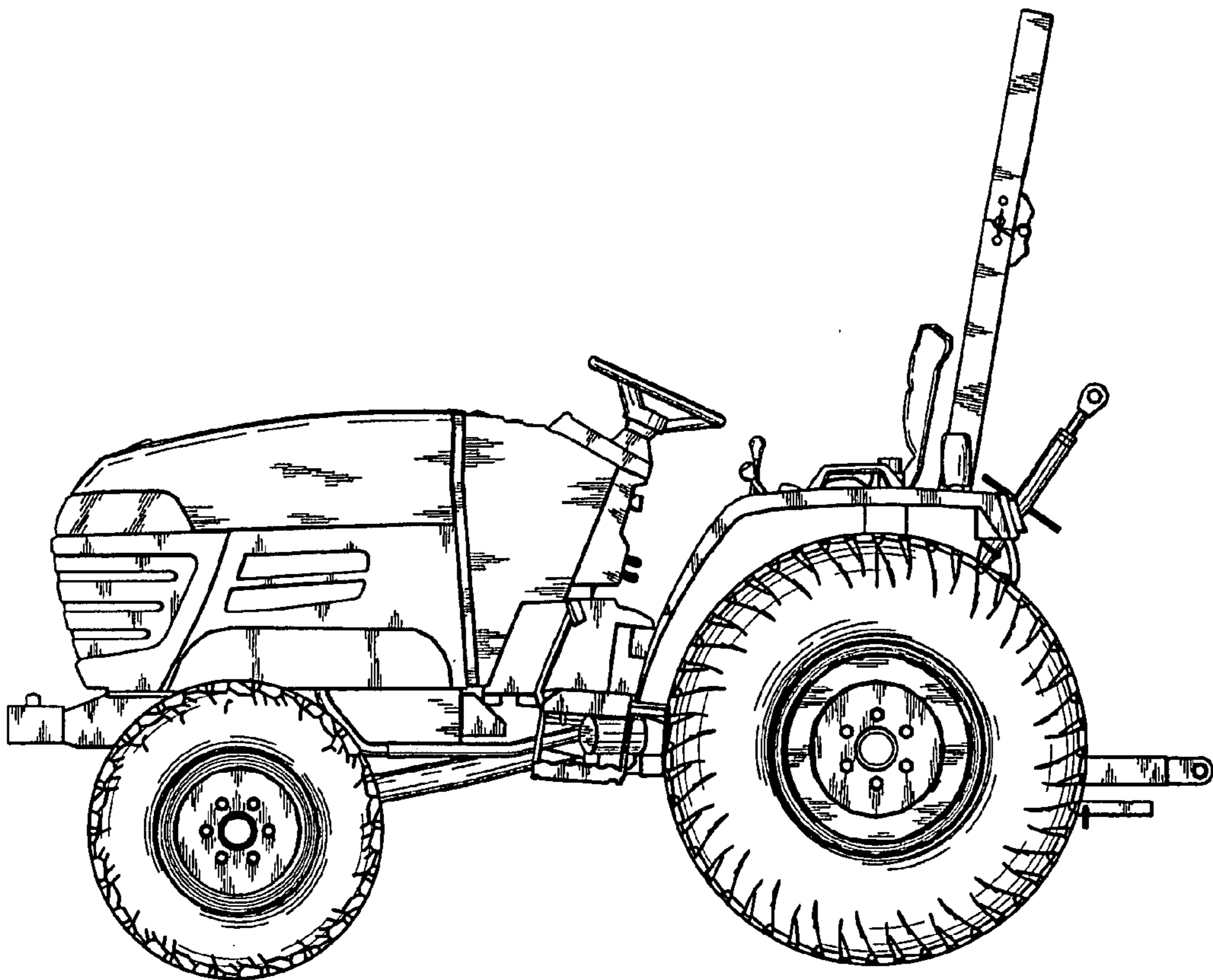
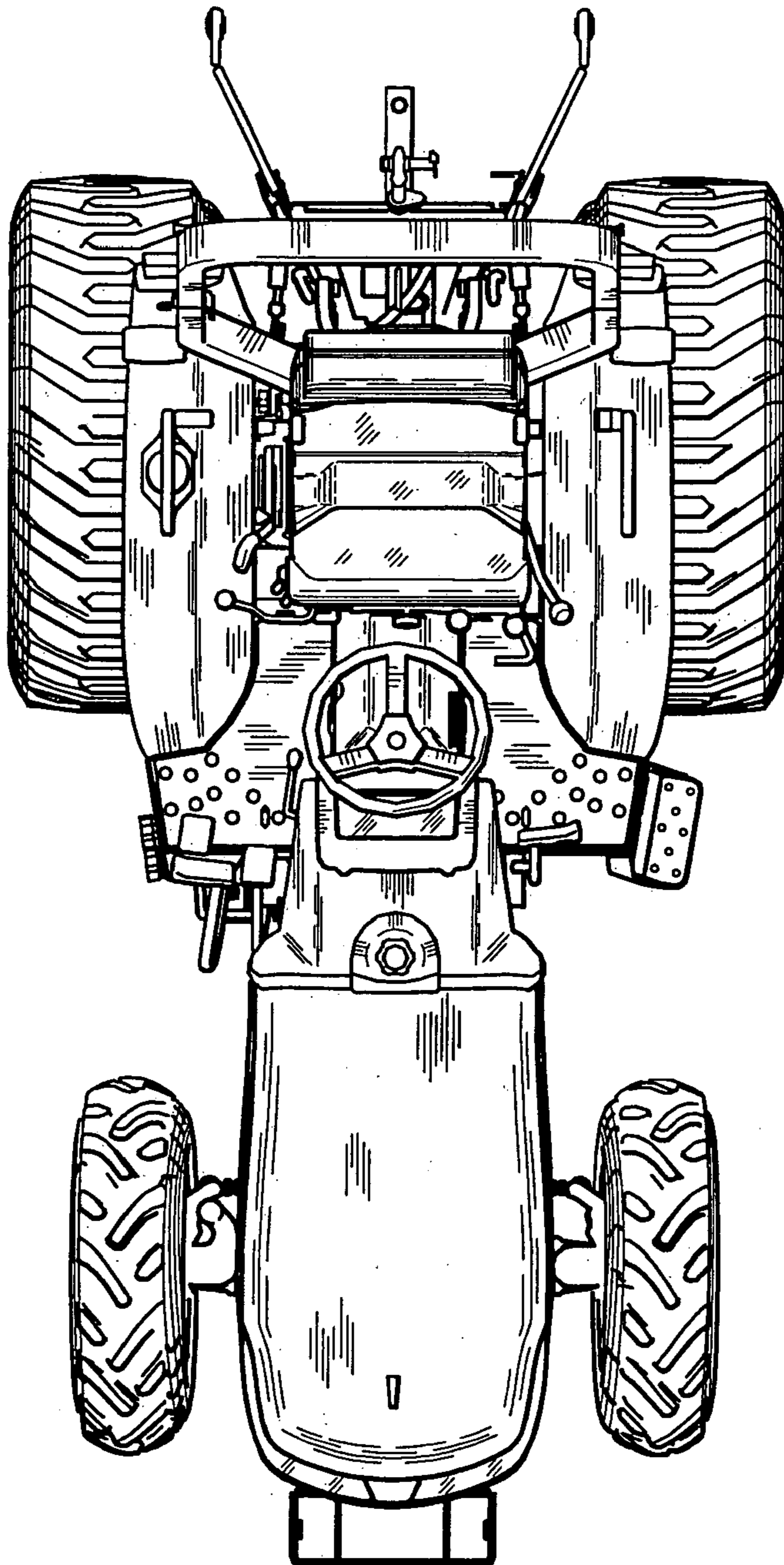


FIG. 4



F I G . 5



F I G . 6

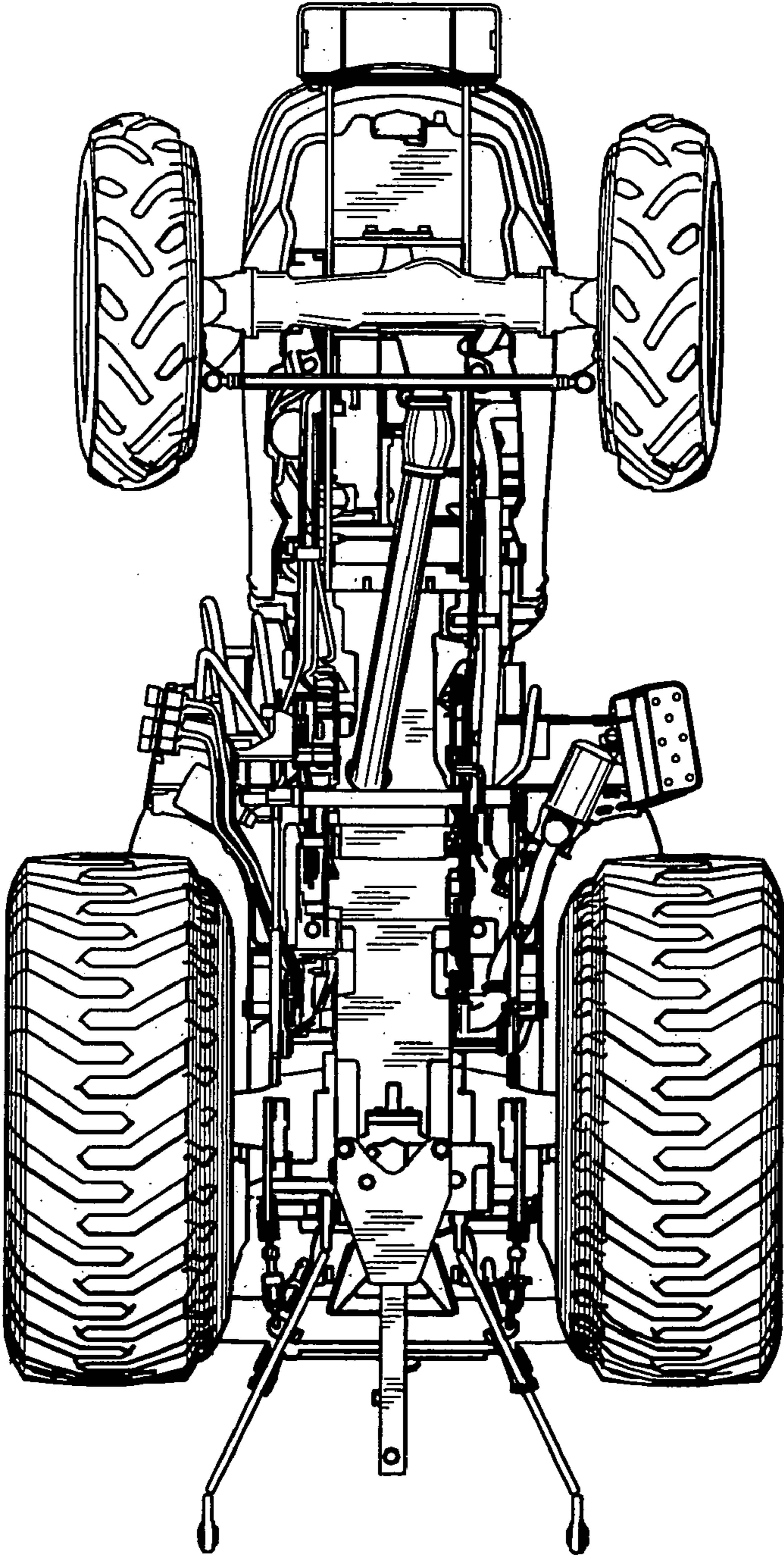


FIG. 7

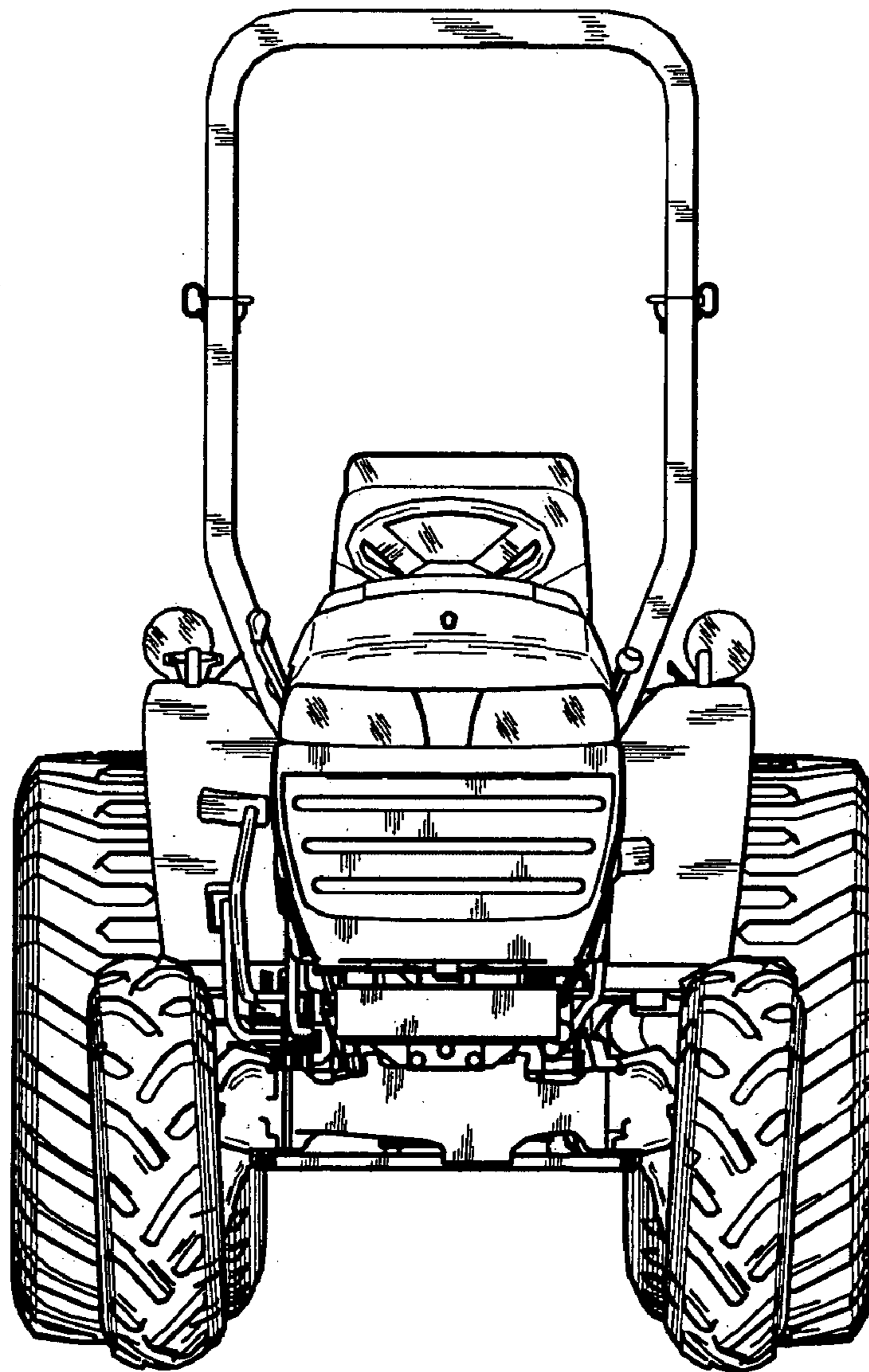




FIG. 8

