



US00D558794S

(12) **United States Design Patent**
Kabayama et al.

(10) **Patent No.:** **US D558,794 S**

(45) **Date of Patent:** **** Jan. 1, 2008**

(54) **DRAIN PUMP**

D349,710 S * 8/1994 Moro D15/7
D419,161 S * 1/2000 Broughton D15/7

(75) Inventors: **Tadashi Kabayama**, Tokyo (JP);
Masayuki Imai, Tokyo (JP)

* cited by examiner

(73) Assignee: **Fujikoki Corporation**, Tokyo (JP)

Primary Examiner—Ralf Seifert
(74) *Attorney, Agent, or Firm*—Baker Botts L.L.P.

(**) Term: **14 Years**

(57) **CLAIM**

(21) Appl. No.: **29/228,715**

The ornamental design for a drain pump, as shown and described.

(22) Filed: **Apr. 27, 2005**

(30) **Foreign Application Priority Data**

DESCRIPTION

Oct. 29, 2004 (JP) 2004-033059

FIG. 1 is a front elevational view of an exemplary embodiment of a drain pump showing the new design, a rear elevational view being symmetrical to the front elevational view;

(51) **LOC (8) Cl.** **15-02**

(52) **U.S. Cl.** **D15/7**

(58) **Field of Classification Search** D15/7-9;
D23/232, 231; 417/359, 415-416, 410.1,
417/321, 265, 405

FIG. 2 is a right side view of the drain pump of FIG. 1;

FIG. 3 is a left side view of the drain pump of FIG. 1;

FIG. 4 is a top view of the drain pump of FIG. 1;

FIG. 5 is a bottom view of the drain pump of FIG. 1; and,

FIG. 6 is a perspective view of the drain pump of FIG. 1.

See application file for complete search history.

Any broken lines in the figures are provided for illustrative purposes only, and form no part of the claimed design.

(56) **References Cited**

U.S. PATENT DOCUMENTS

D237,835 S * 11/1975 Bevan et al. D15/7

D271,976 S * 12/1983 Brown D15/7

D304,833 S * 11/1989 Luchsinger D15/7

1 Claim, 6 Drawing Sheets

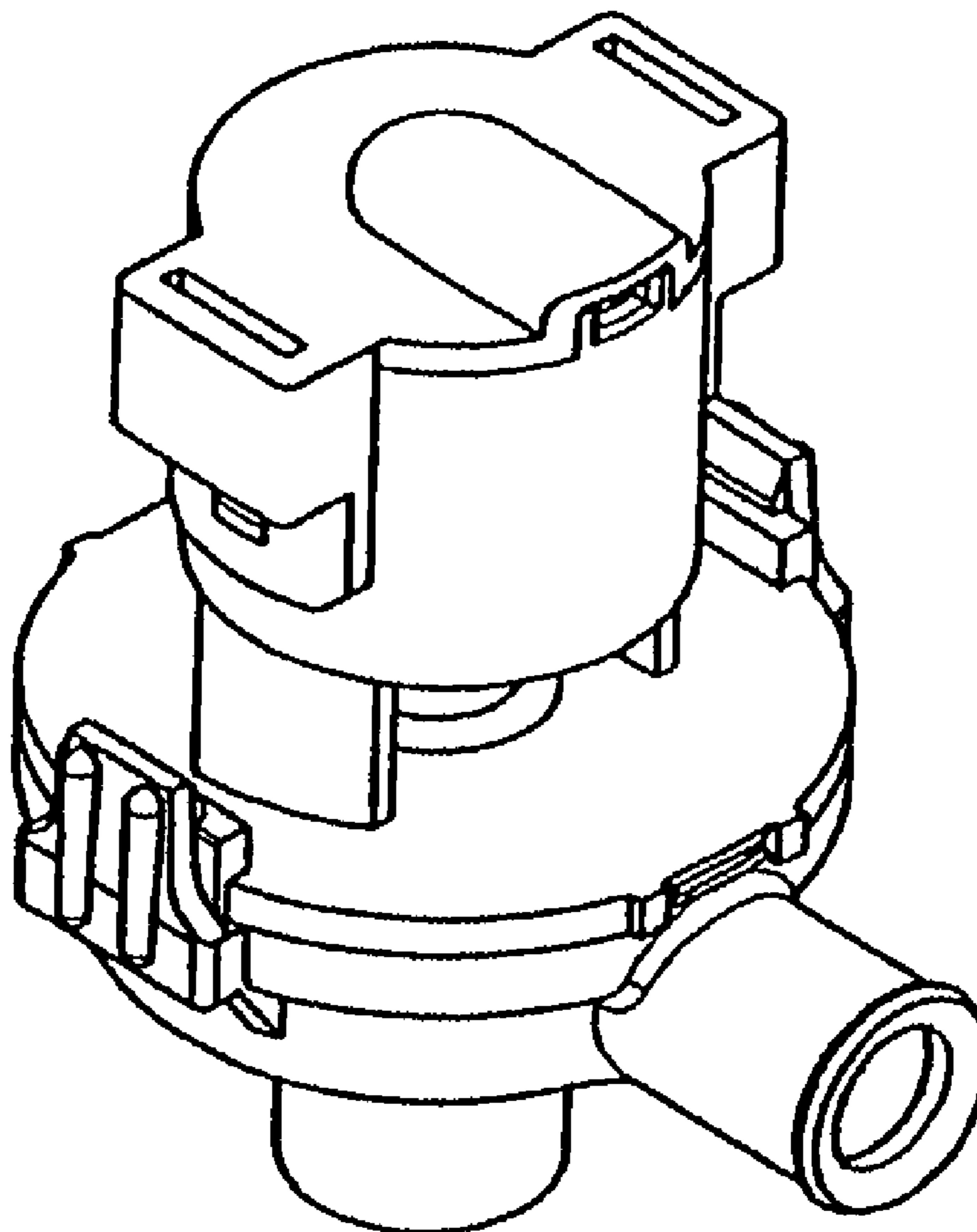


FIG. 1

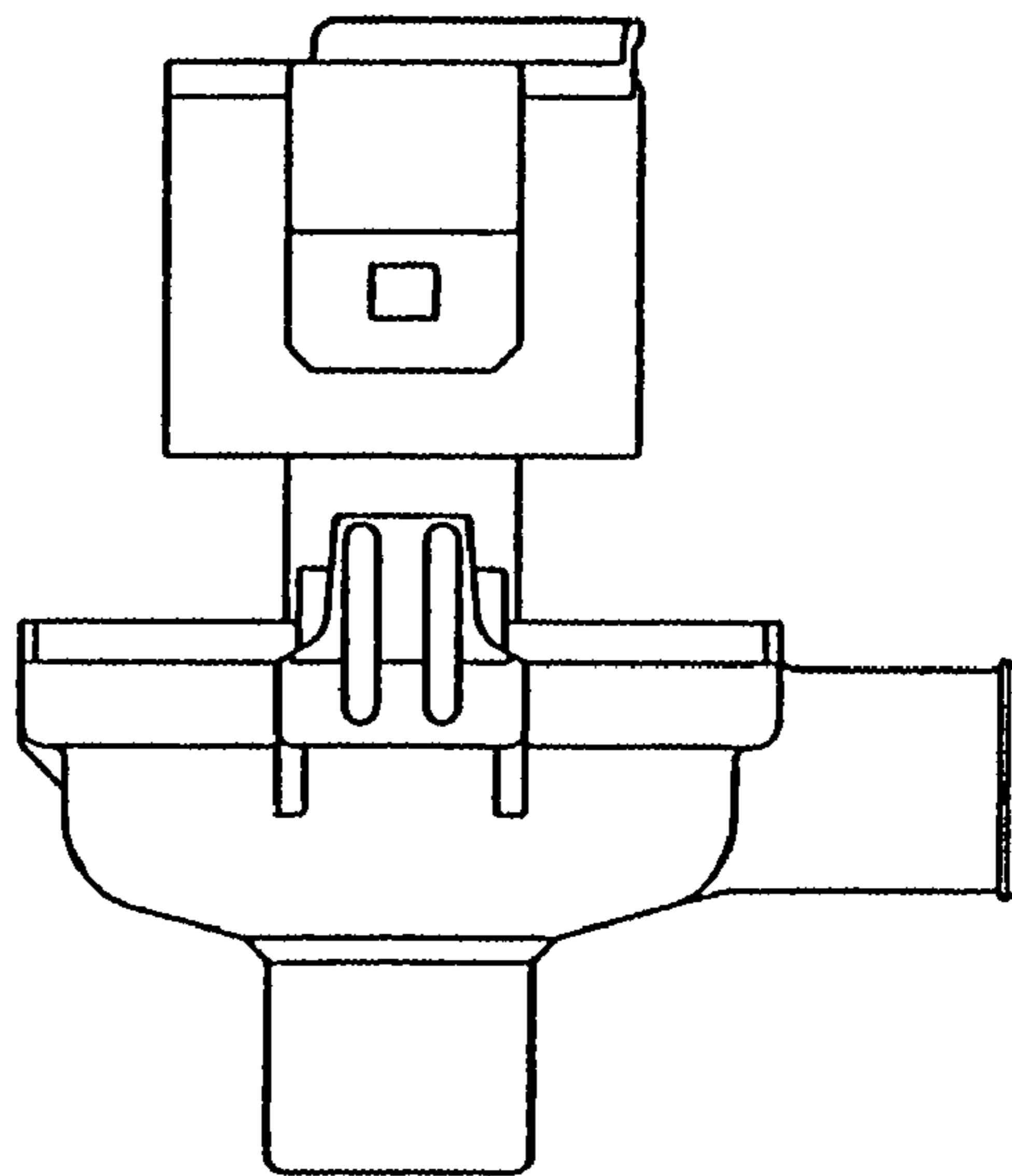


FIG. 2

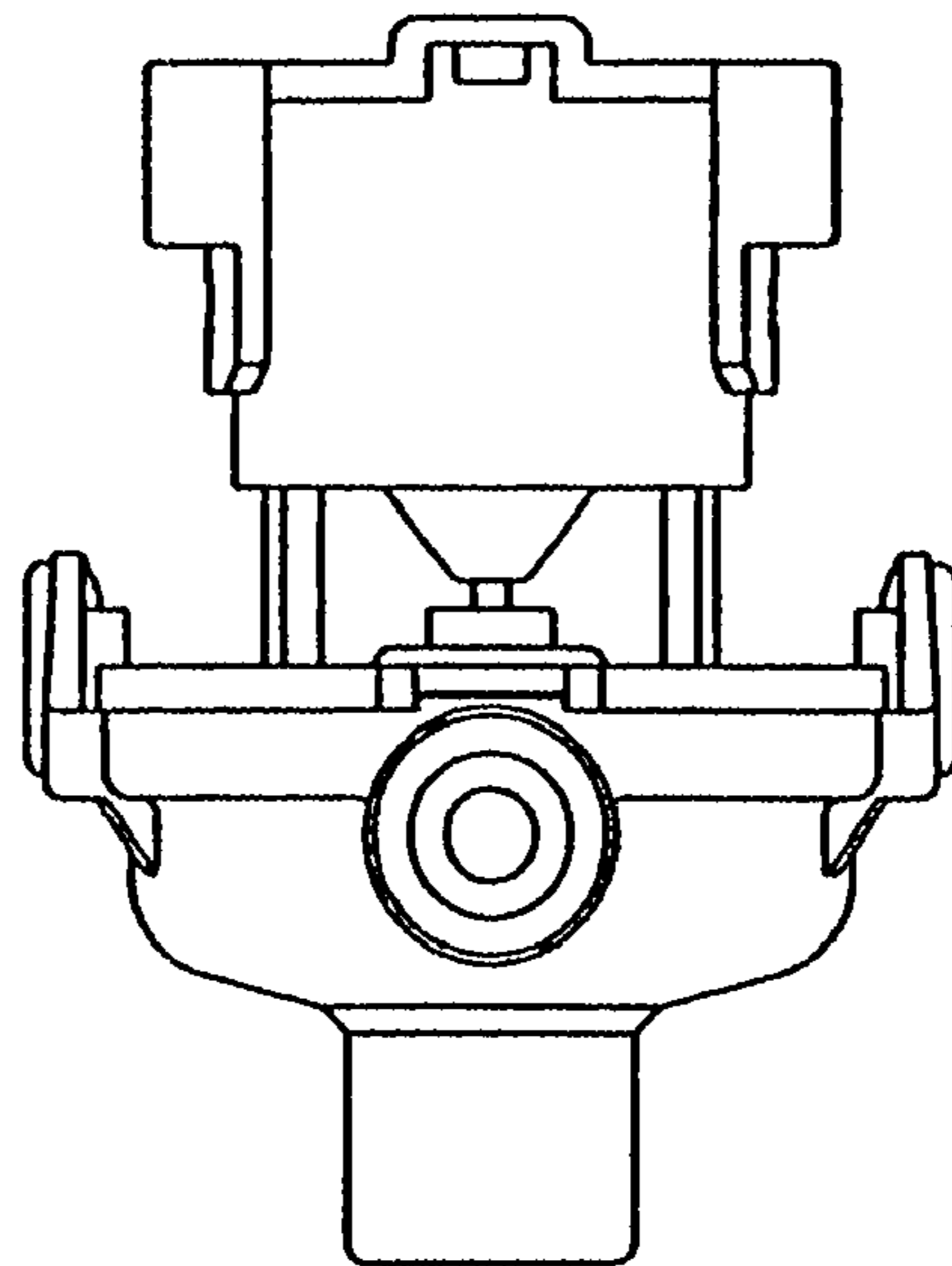


FIG. 3

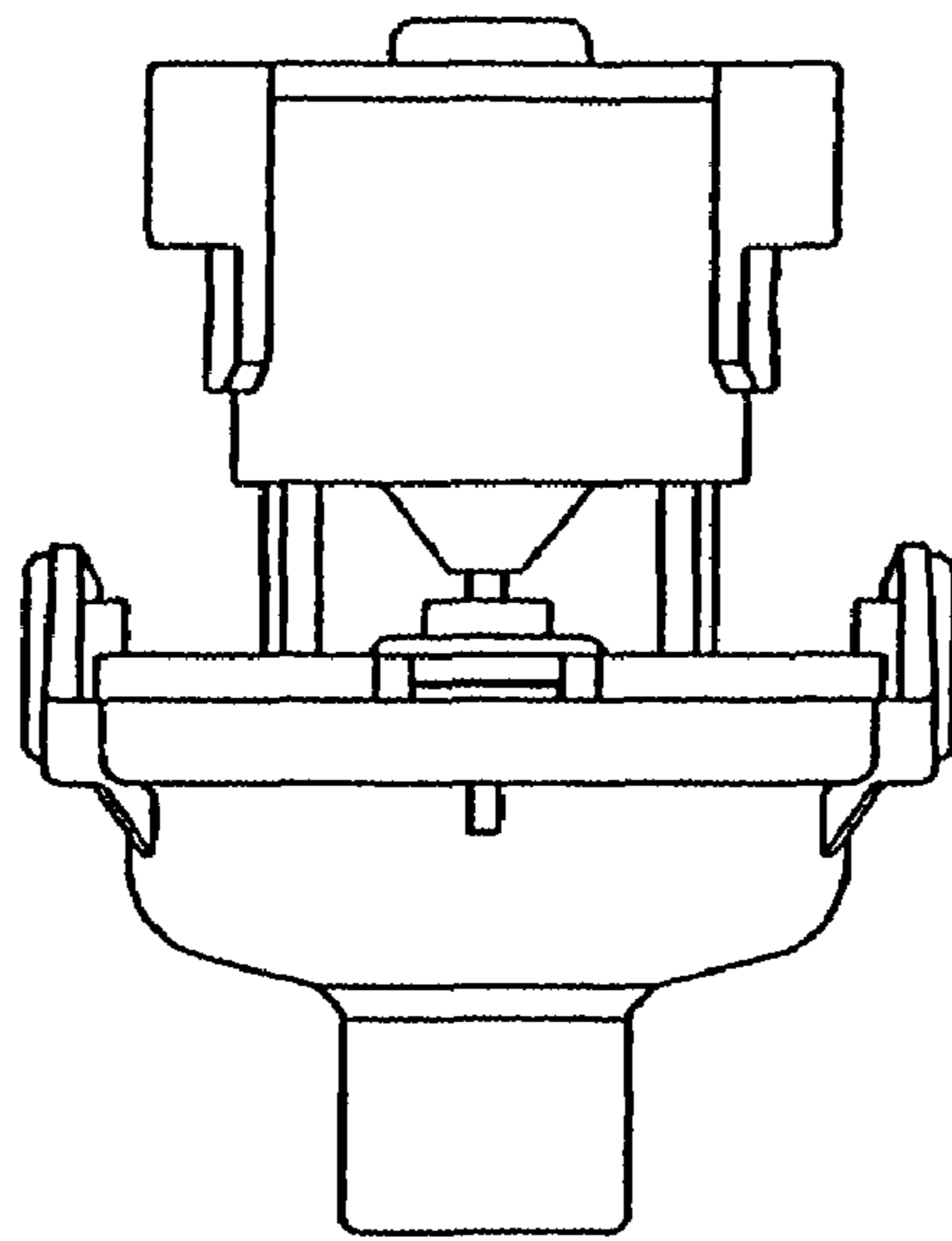


FIG. 4

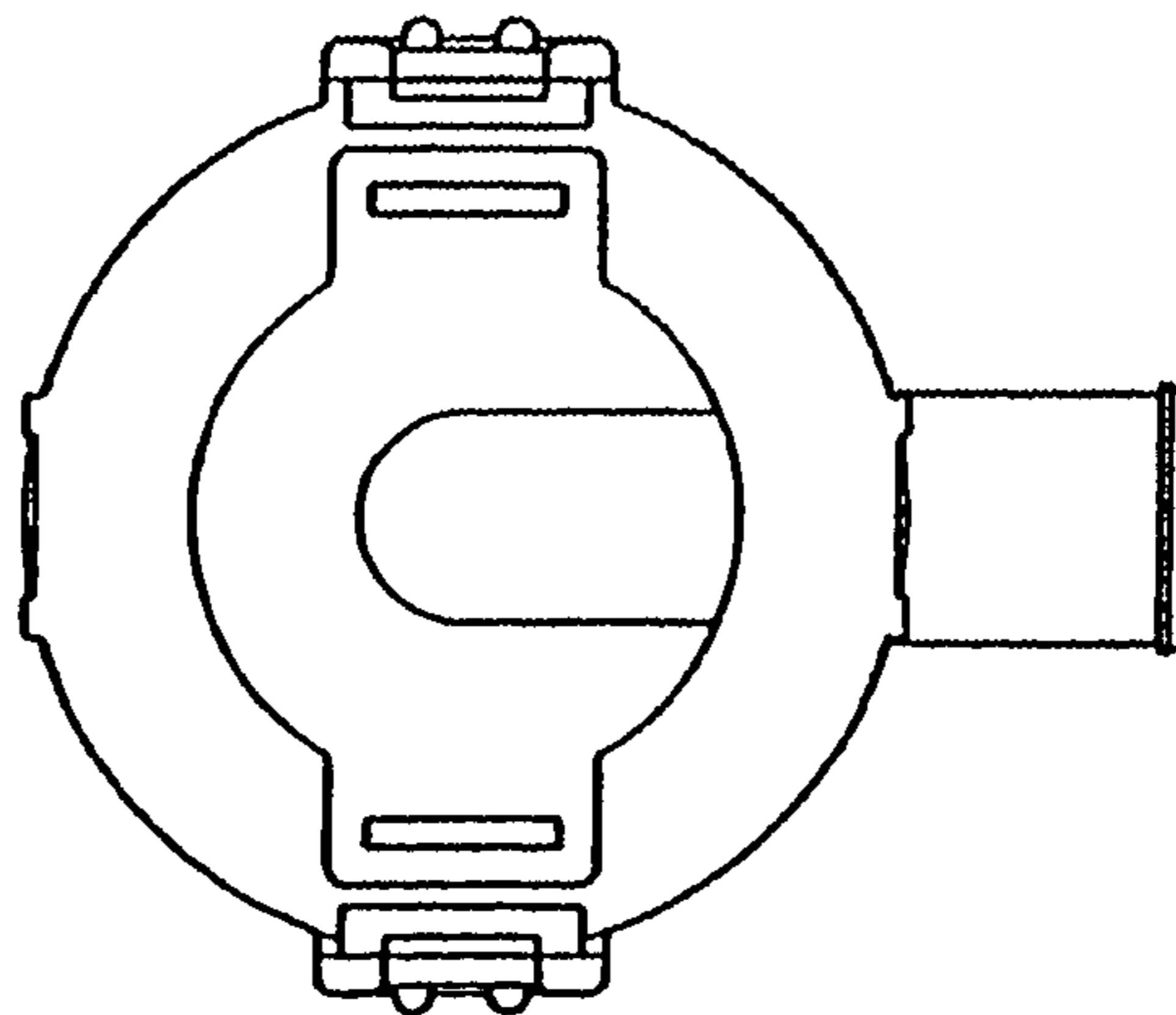


FIG. 5

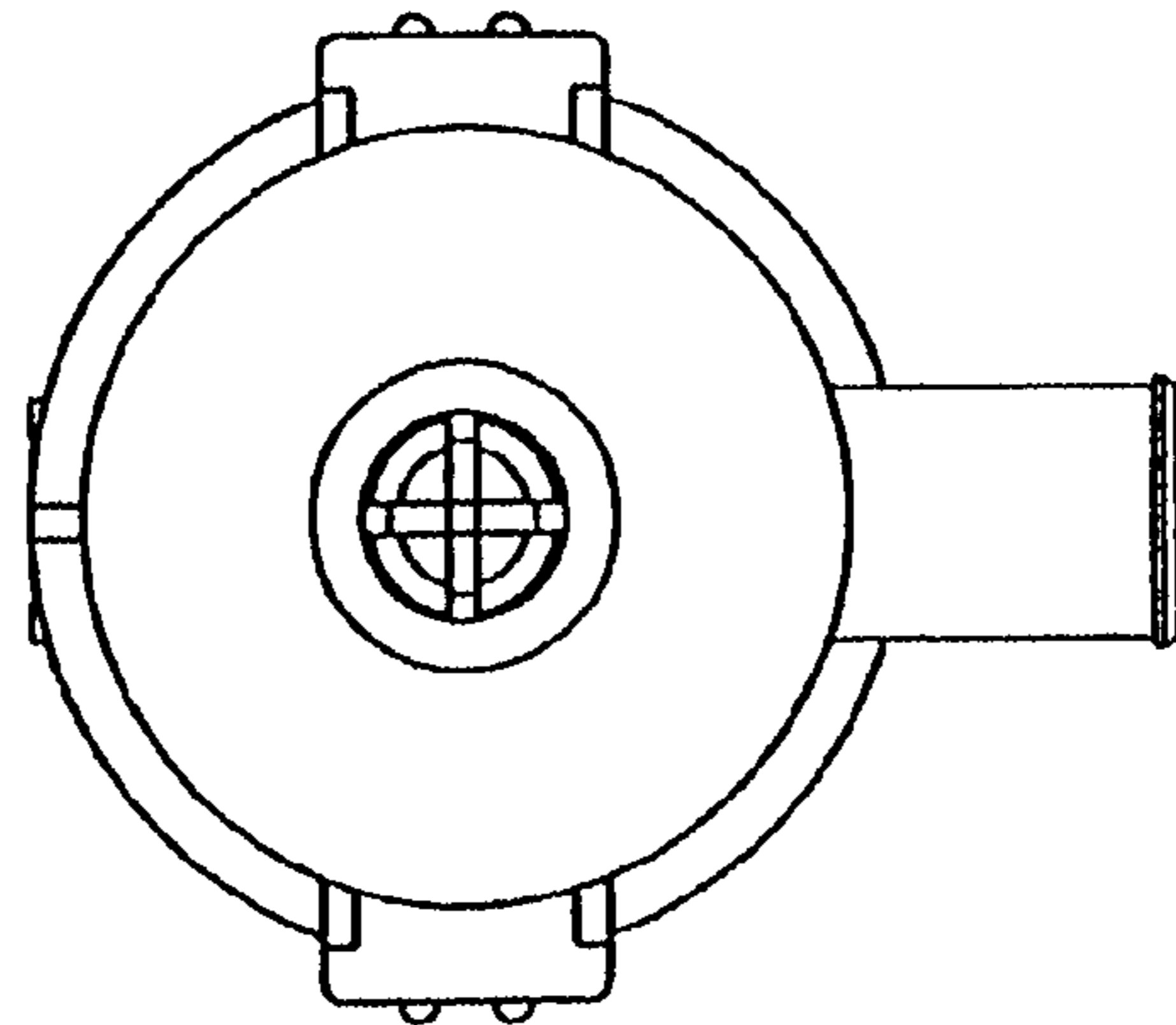


FIG. 6

