



US00D558790S

(12) **United States Design Patent**  
**Yu et al.**

(10) **Patent No.:** **US D558,790 S**  
(45) **Date of Patent:** **\*\* Jan. 1, 2008**

(54) **MP3 PLAYER**

(75) Inventors: **Tzu-Cheng Yu**, Santa Clara, CA (US);  
**Wei Hu**, Shenzhen (CN); **Hong-Xiu Luo**, Shenzhen (CN)

(73) Assignees: **ShenZhen FuTaiHong Precision Industry Co., Ltd.**, Shenzhen, Guangdong Province (CN); **Sutech Trading Limited**, Tortola (VG)

(\*\*) Term: **14 Years**

(21) Appl. No.: **29/275,536**

(22) Filed: **Dec. 29, 2006**

(30) **Foreign Application Priority Data**

Dec. 13, 2006 (CN) ..... 2006 3 0155424

(51) **LOC (8) Cl.** ..... **14-03**

(52) **U.S. Cl.** ..... **D14/496**

(58) **Field of Classification Search** ..... D14/496,  
D14/401, 435, 474, 483, 217, 137, 138, 160,  
D14/168; 345/156, 169, 173-179, 905; 455/11.1,  
455/7, 73, 344-351, 93-95; 370/342-344;  
369/1, 2, 6, 12; 463/43-47; 273/48 B  
See application file for complete search history.

(56) **References Cited**

**U.S. PATENT DOCUMENTS**

5,837,952 A \* 11/1998 Oshiro et al. .... 200/86 R  
D438,526 S \* 3/2001 Katayama ..... D14/156  
6,254,477 B1 \* 7/2001 Sasaki et al. .... 463/1

D466,884 S \* 12/2002 Clayton ..... D14/168  
6,540,611 B1 \* 4/2003 Nagata ..... 463/31  
6,565,444 B2 \* 5/2003 Nagata et al. .... 463/46  
D483,809 S \* 12/2003 Lim ..... D21/324  
D488,456 S \* 4/2004 Isshiki ..... D14/156  
D502,164 S \* 2/2005 Ko et al. .... D14/156  
6,920,344 B2 \* 7/2005 Jang ..... 455/575.5  
6,955,606 B2 \* 10/2005 Tahoe et al. .... 463/43  
D514,589 S \* 2/2006 Chen ..... D14/496  
D520,519 S \* 5/2006 Chin et al. .... D14/496

\* cited by examiner

*Primary Examiner*—Prabhakar Deshmukh

(74) *Attorney, Agent, or Firm*—Wei Te Chung

(57) **CLAIM**

The ornamental design for an MP3 player, as shown and described.

**DESCRIPTION**

FIG. 1 is a perspective view of an MP3 player showing our new design;

FIG. 2 is a front elevational view thereof;

FIG. 3 is a rear elevational view thereof;

FIG. 4 is a left side elevational view thereof;

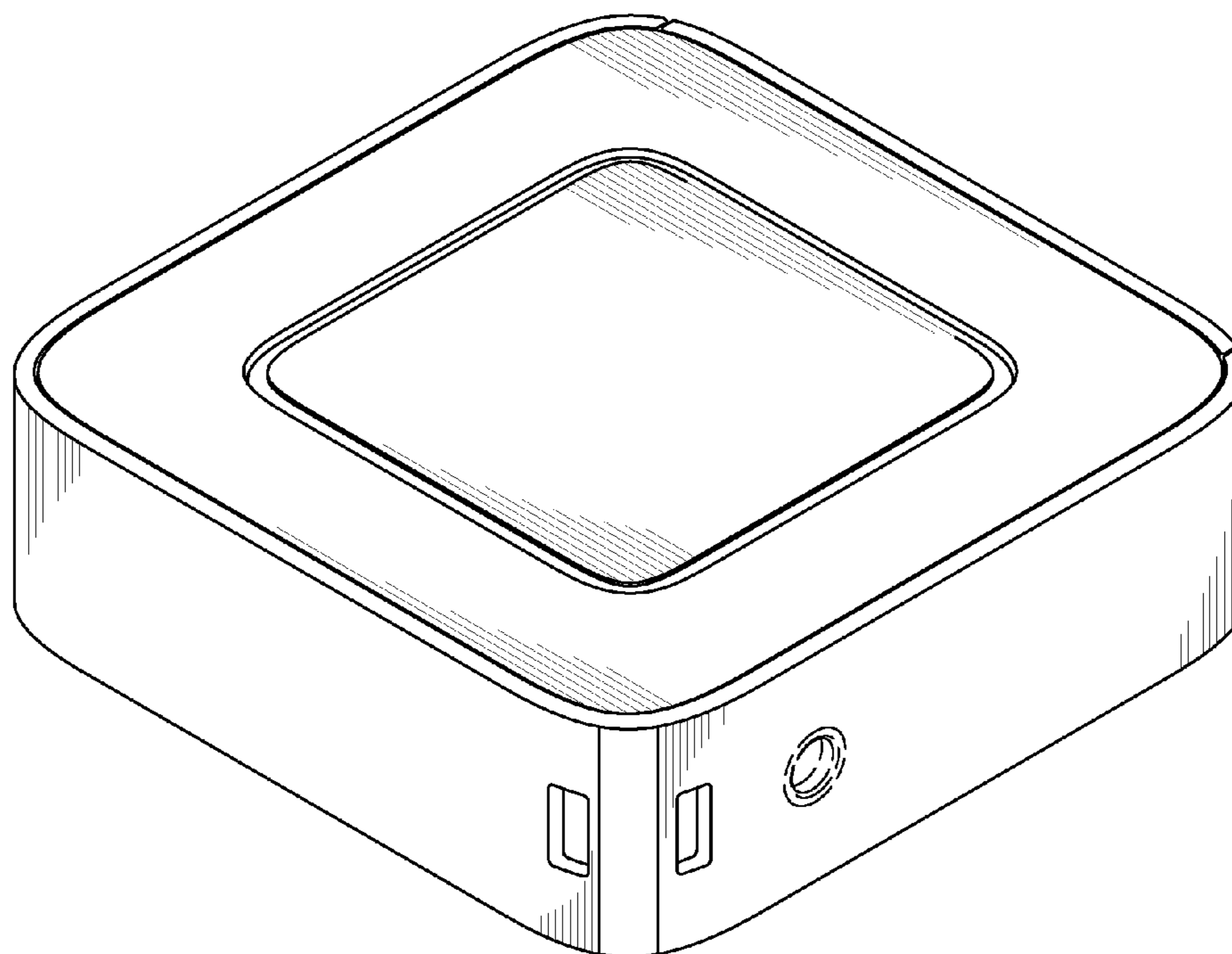
FIG. 5 is a right side elevational view thereof;

FIG. 6 is a top plan view thereof; and,

FIG. 7 is a bottom plan view thereof.

The broken lines are for illustrative purpose only and form no part of the claimed design.

**1 Claim, 7 Drawing Sheets**



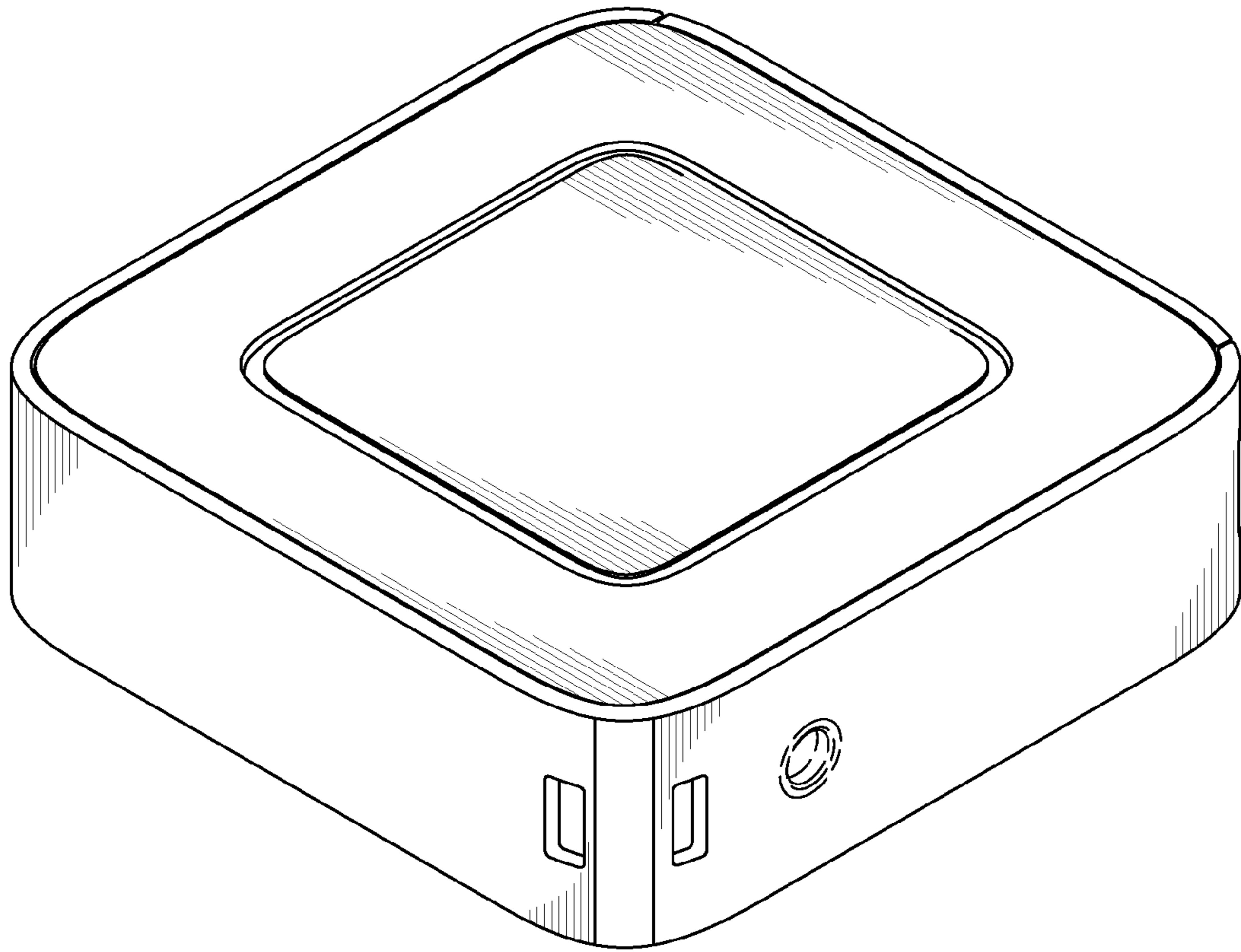


FIG. 1

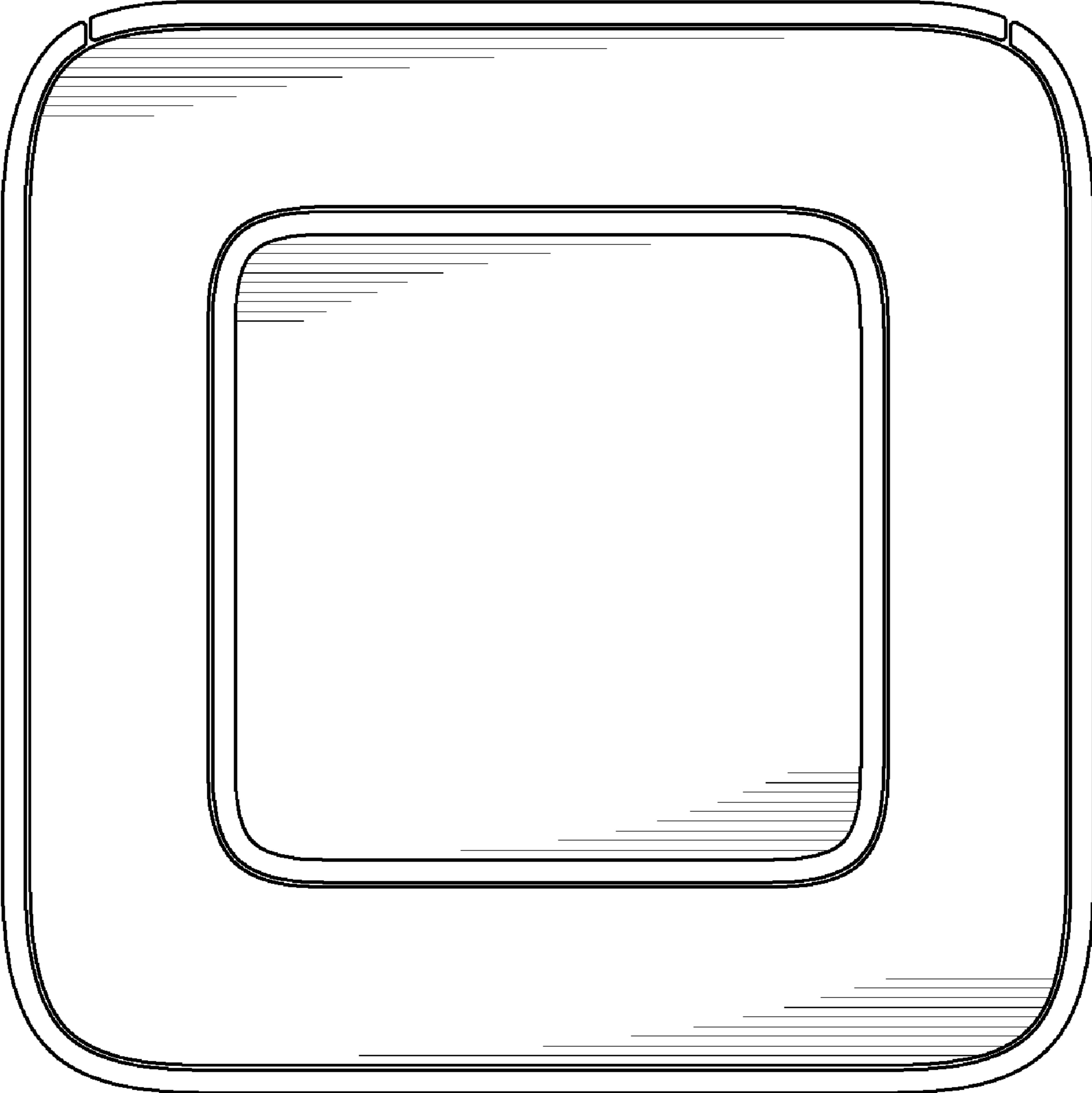


FIG. 2

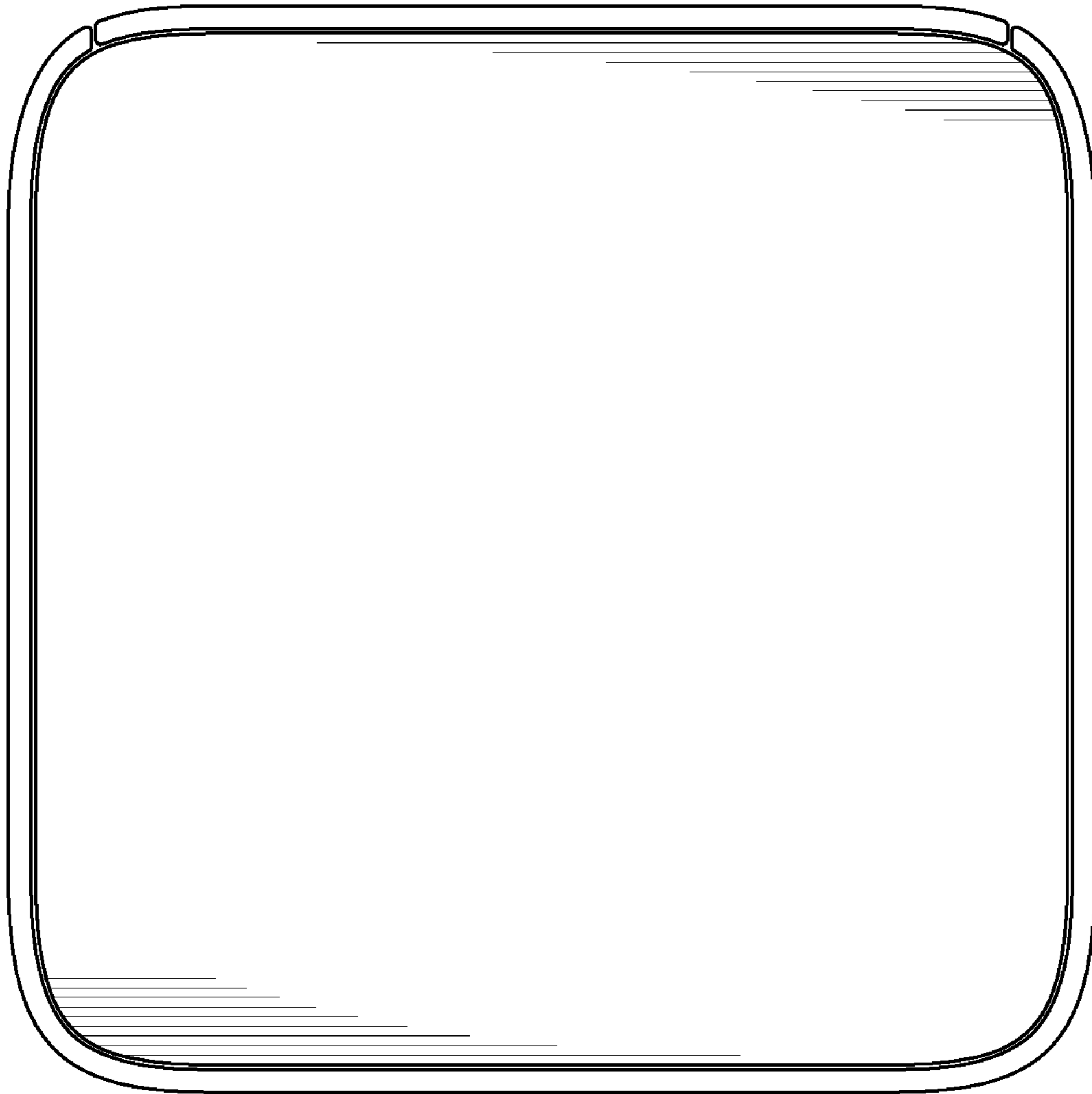


FIG. 3

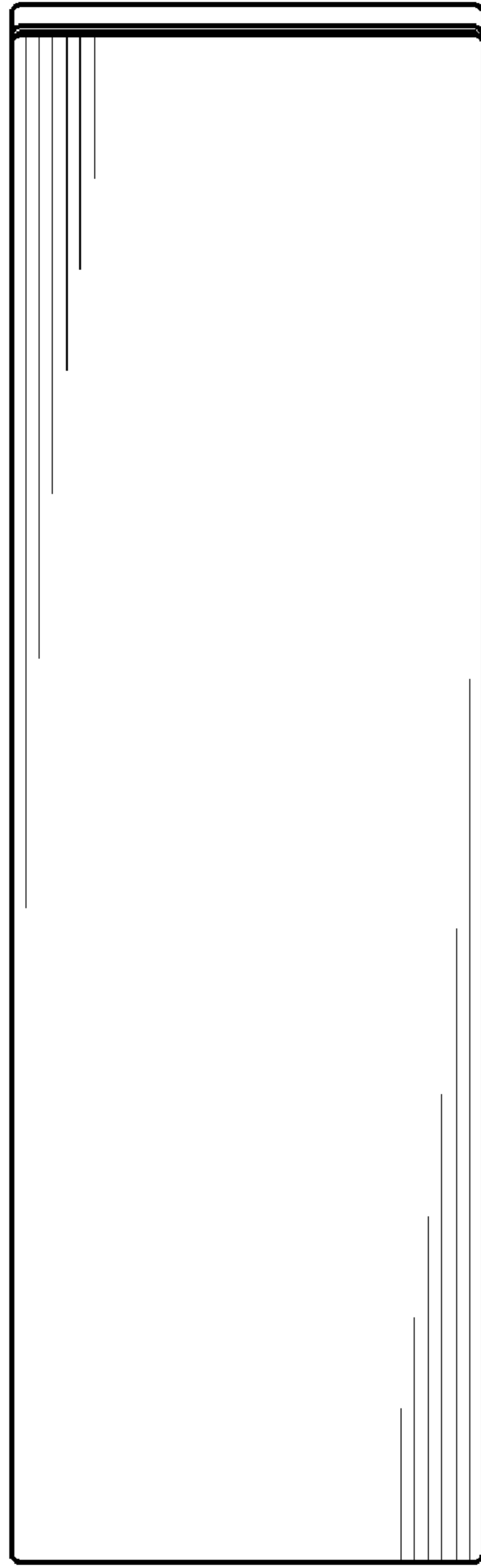


FIG. 4

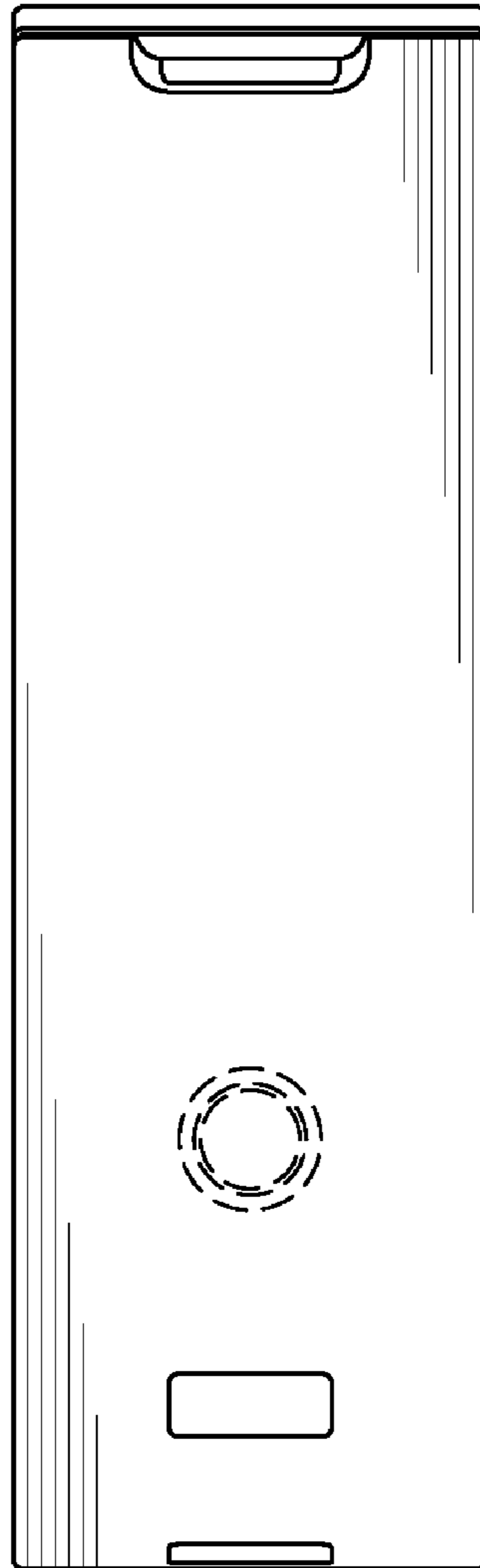


FIG. 5

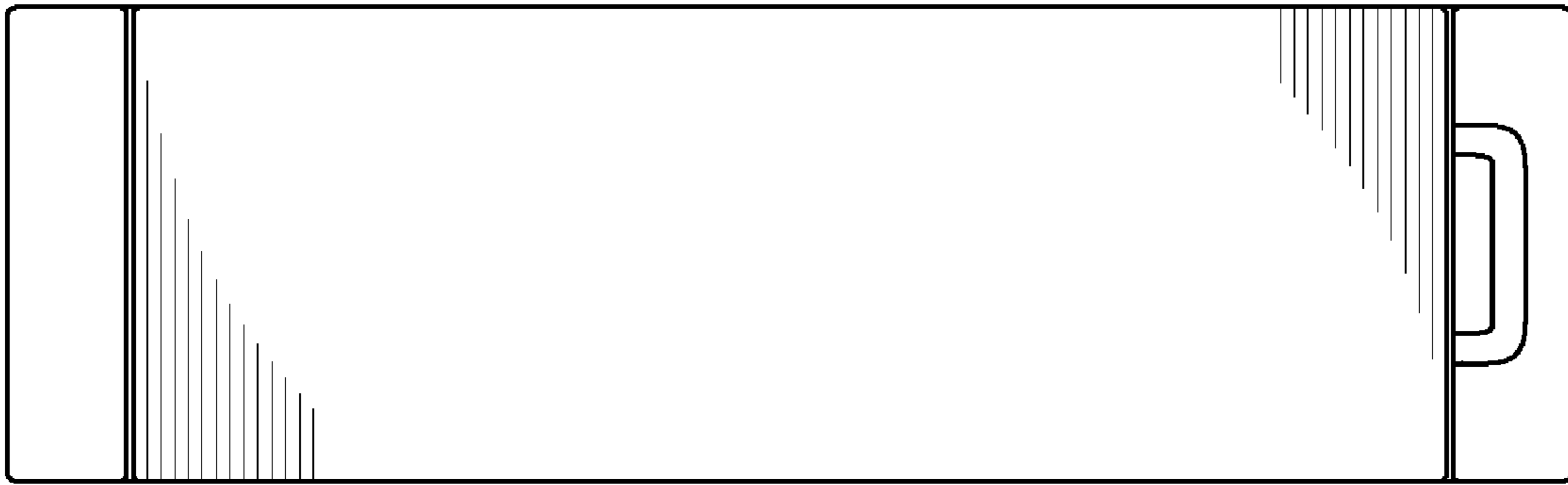


FIG. 6

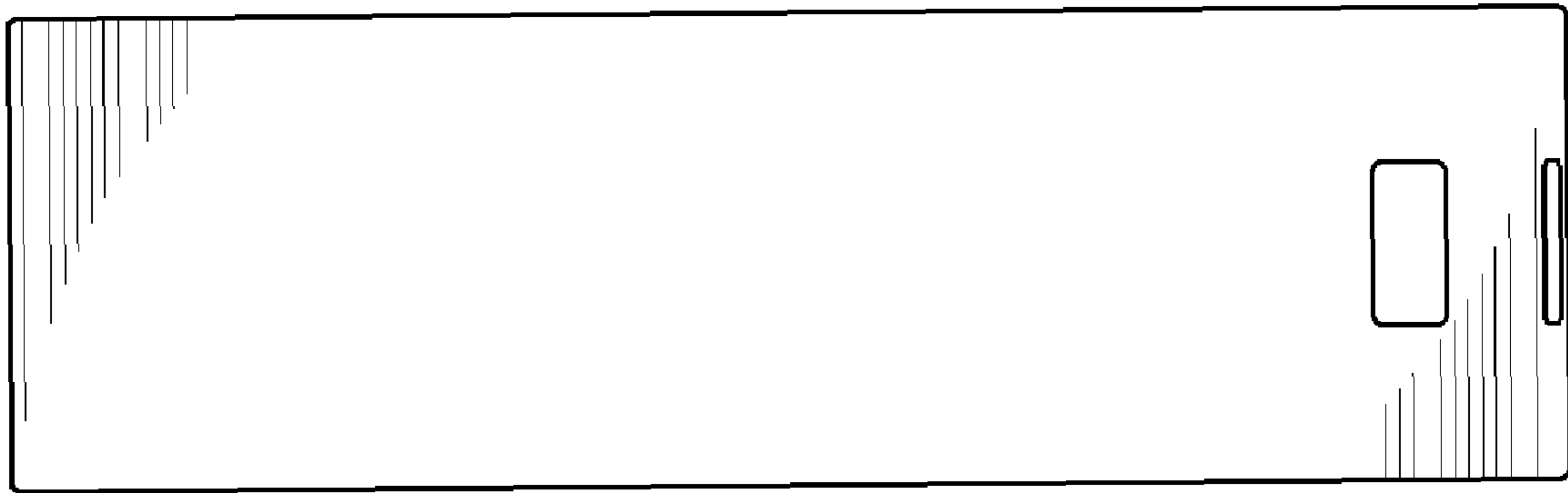


FIG. 7