



US00D558789S

(12) **United States Design Patent**
Yu et al.

(10) **Patent No.:** **US D558,789 S**
(45) **Date of Patent:** **** Jan. 1, 2008**

(54) **MP3 PLAYER**

(75) Inventors: **Tzu-Cheng Yu**, Santa Clara, CA (US);
Wei Hu, Shenzhen (CN); **Hao-Ting Sun**, Taipei Hsien (TW)

(73) Assignees: **ShenZhen FuTaiHong Precision Industry Co., Ltd.**, Shenzhen, Guangdong Province (CN); **Sutech Trading Limited**, Tortola (VG)

(**) Term: **14 Years**

(21) Appl. No.: **29/275,502**

(22) Filed: **Dec. 28, 2006**

(30) **Foreign Application Priority Data**

Dec. 13, 2006 (CN) 2006 3 0155420

(51) **LOC (8) Cl.** **14-03**

(52) **U.S. Cl.** **D14/496**

(58) **Field of Classification Search** D14/496,
D14/401, 435, 474, 483, 217, 137, 138, 160,
D14/168; 345/156, 169, 173-179, 905; 455/11.1,
455/7, 73, 344-351, 93-95; 370/342-344;
369/1, 2, 6, 12; 463/43-47; 273/48 B
See application file for complete search history.

(56) **References Cited**

U.S. PATENT DOCUMENTS

5,825,408 A * 10/1998 Yuyama et al. 348/14.01
5,859,594 A * 1/1999 King et al. 340/7.55
D441,735 S * 5/2001 Katayama D14/156

D478,889 S * 8/2003 Kulkarni D14/160
6,769,603 B2 * 8/2004 Nagai et al. 235/375
D500,298 S * 12/2004 Yang D14/156
D503,409 S * 3/2005 Wong et al. D14/496
D509,819 S * 9/2005 Yang D14/156
D516,579 S * 3/2006 Nakamura D14/496
D521,023 S * 5/2006 Kim et al. D14/496
D543,553 S * 5/2007 Langberg et al. D14/496
D547,773 S * 7/2007 Aoki D14/496

* cited by examiner

Primary Examiner—Prabhakar Deshmukh
(74) *Attorney, Agent, or Firm*—Wei Te Chung

(57) **CLAIM**

The ornamental design for an MP3 player, as shown and described.

DESCRIPTION

FIG. 1 is a perspective view of an MP3 player showing our new design;

FIG. 2 is a front elevational view thereof;

FIG. 3 is a rear elevational view thereof;

FIG. 4 is a left side elevational view thereof;

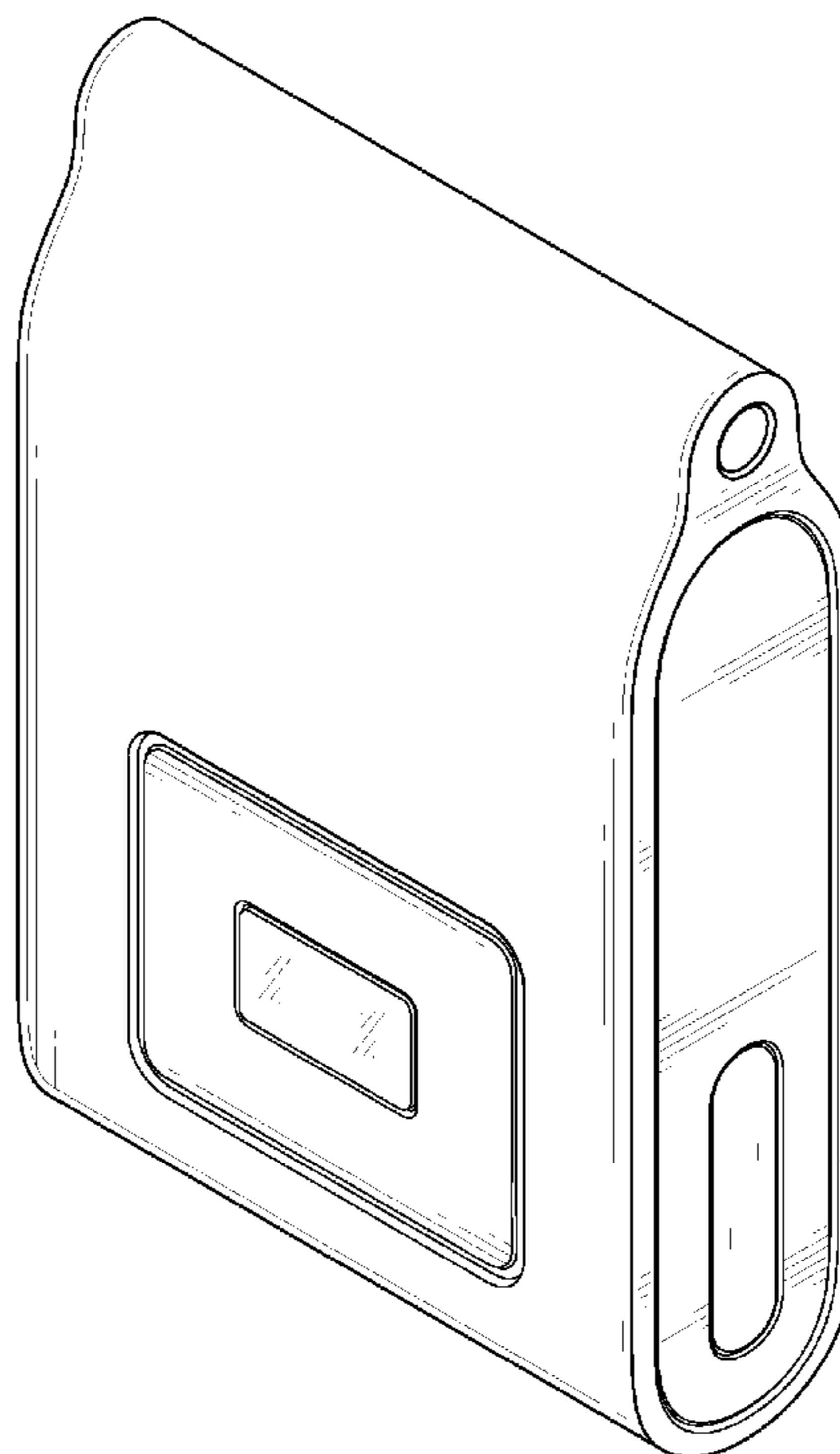
FIG. 5 is a right side elevational view thereof;

FIG. 6 is a top plan view thereof; and,

FIG. 7 is a bottom plan view thereof.

The broken lines are for illustrative purpose only and form no part of the claimed design.

1 Claim, 7 Drawing Sheets



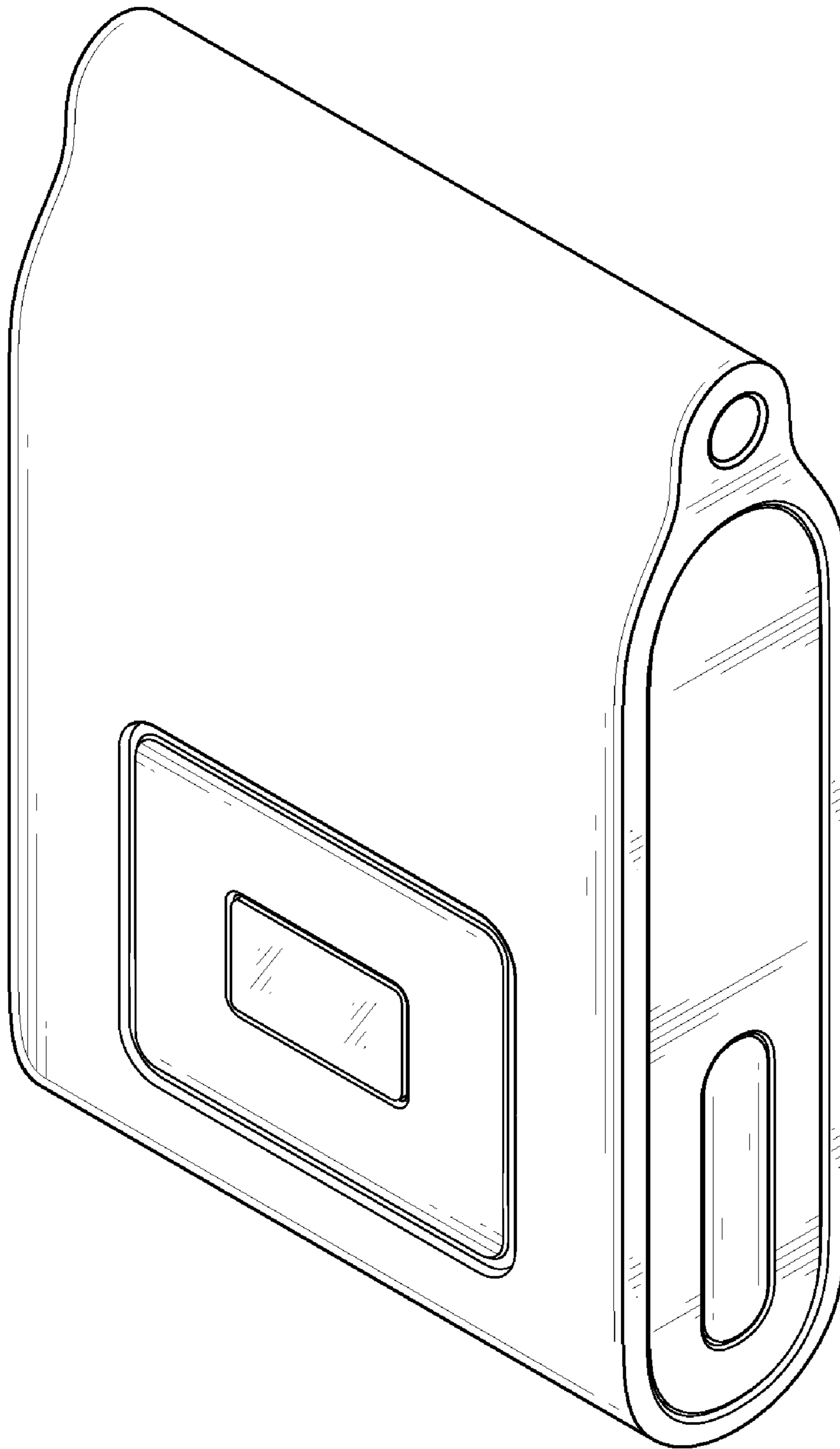


FIG. 1

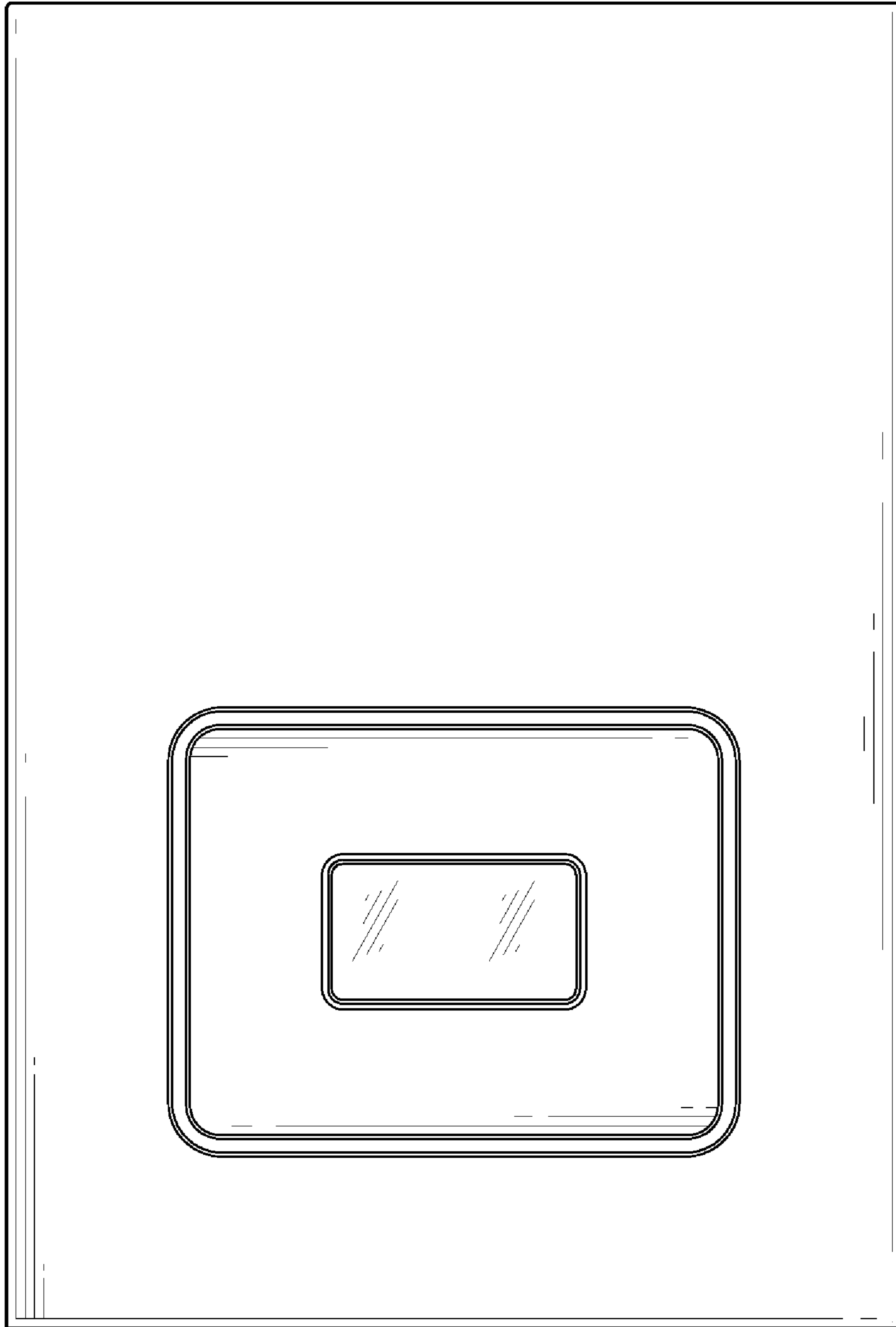


FIG. 2

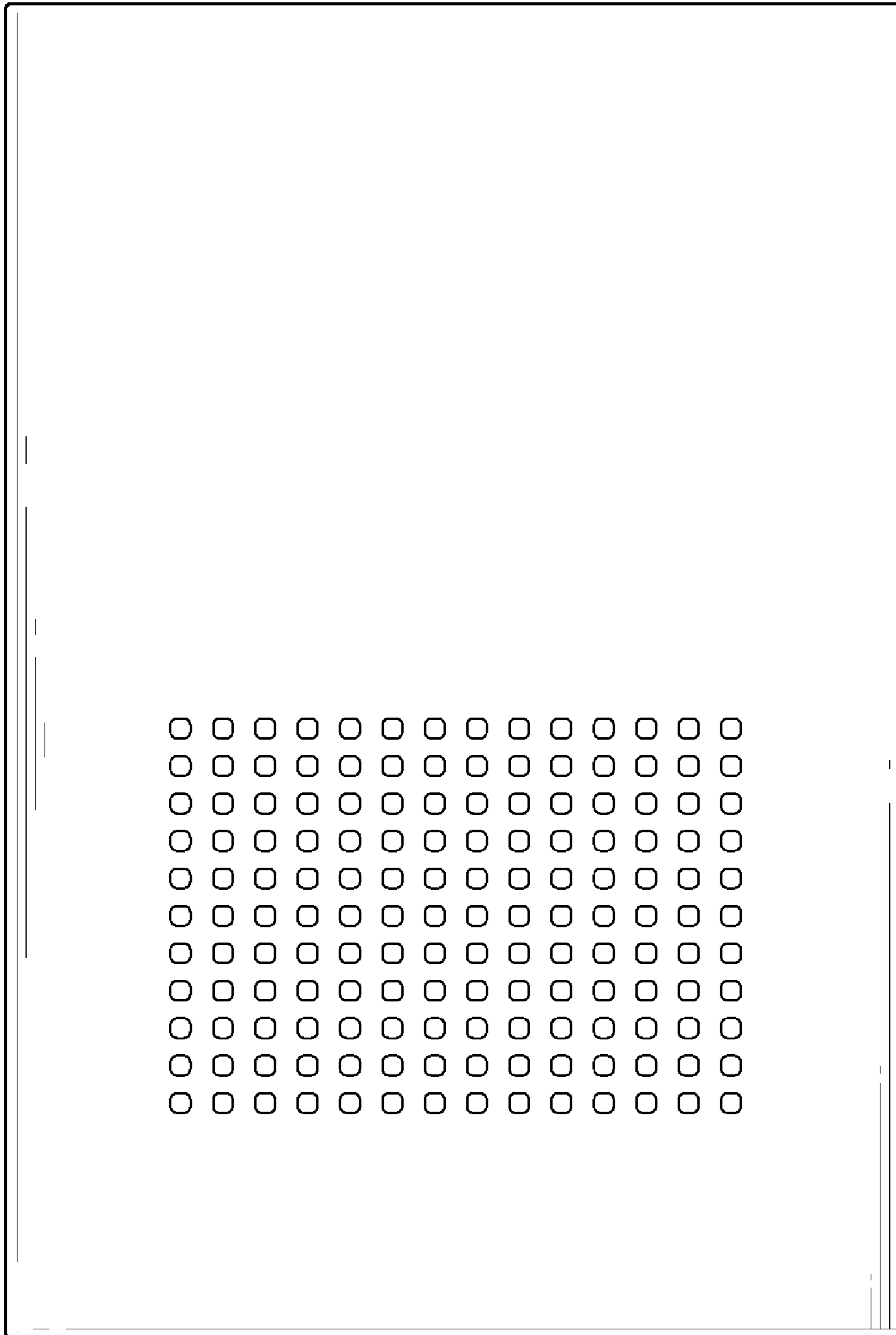


FIG. 3

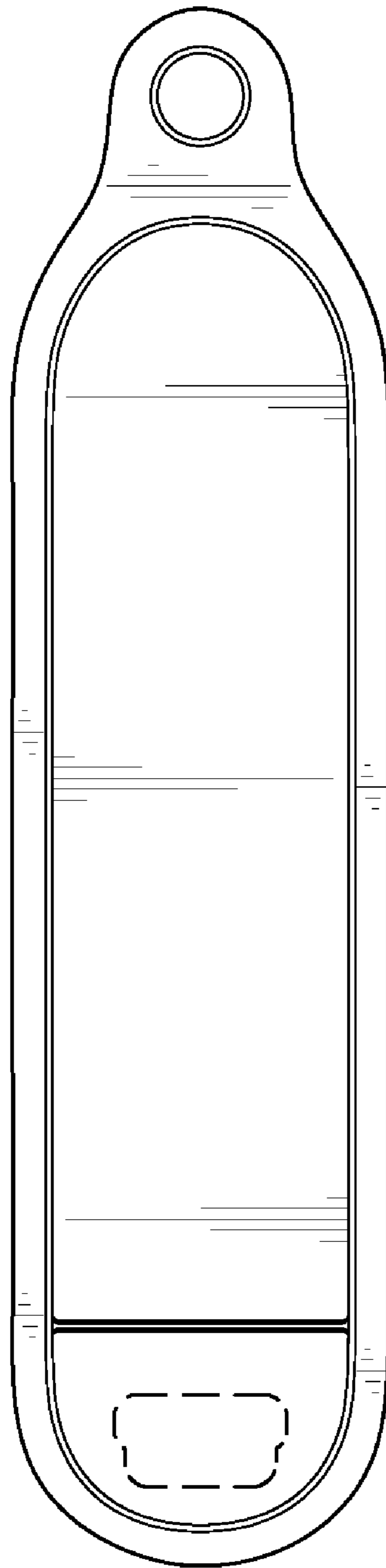


FIG. 4

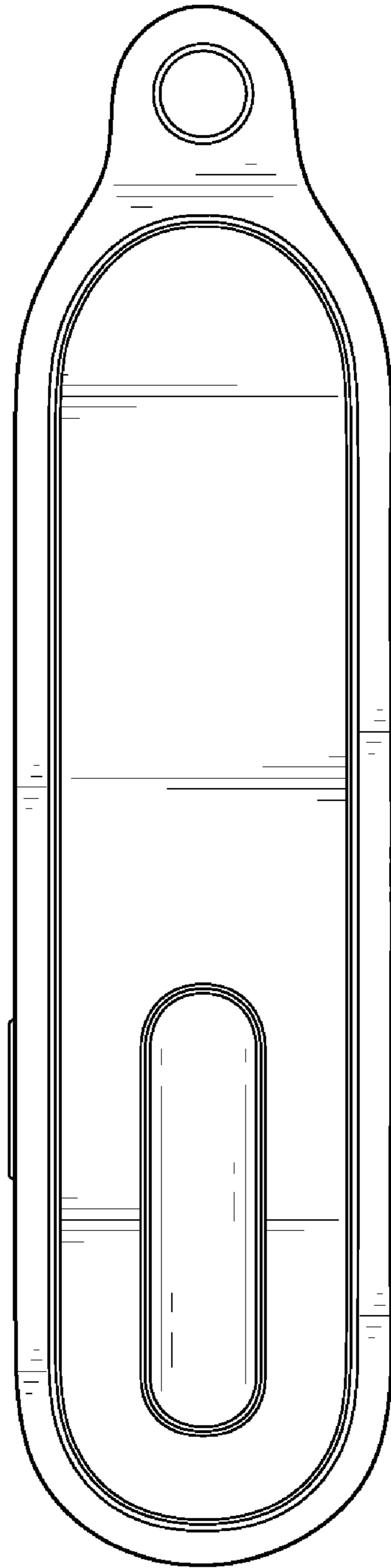


FIG. 5

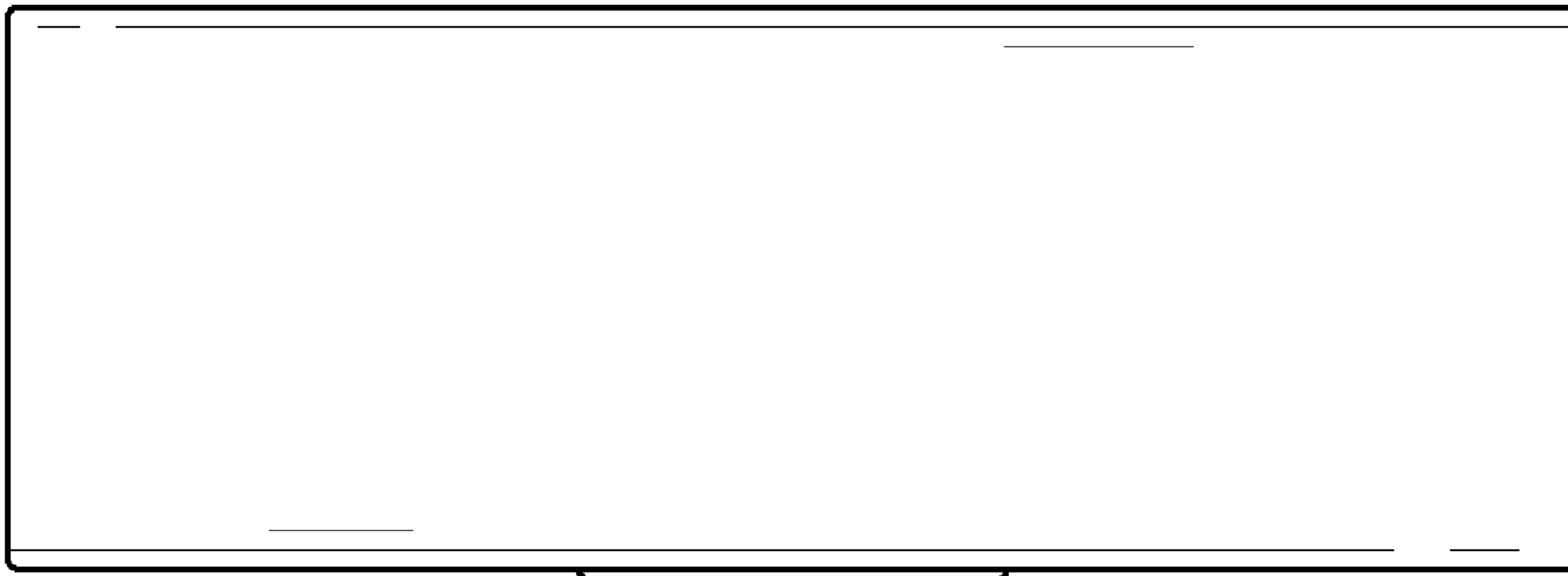


FIG. 6

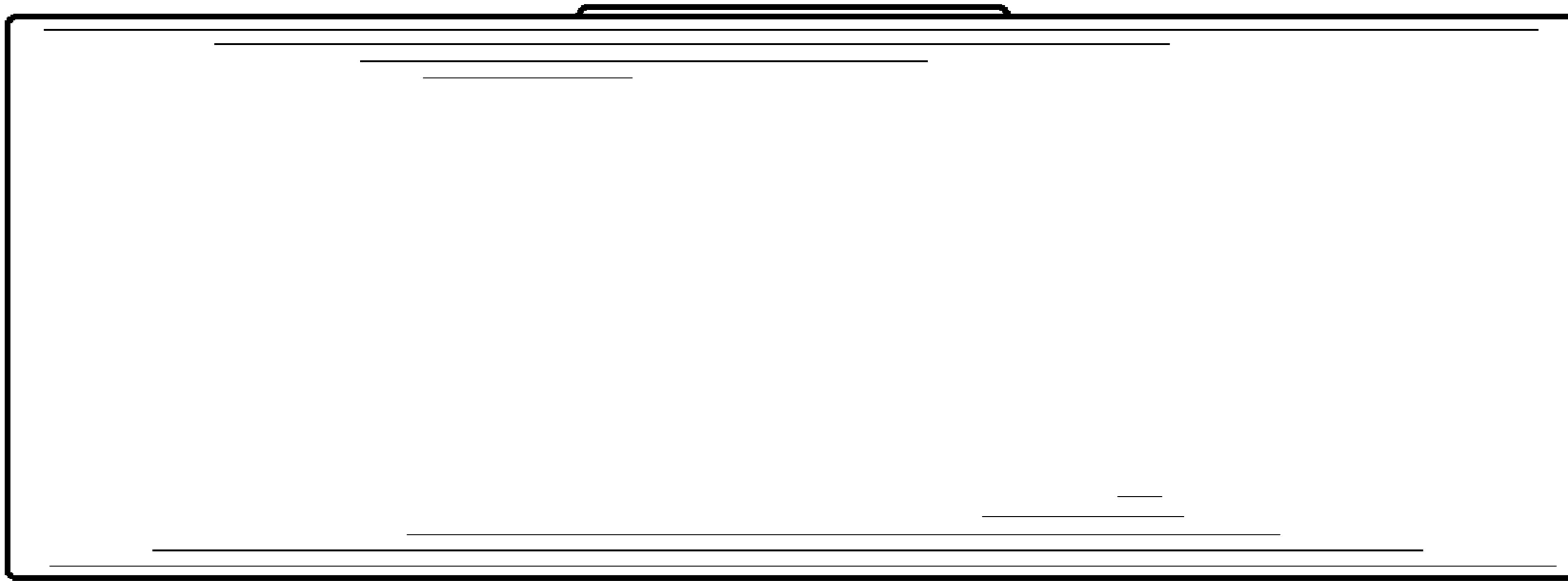


FIG. 7