



US00D558783S

(12) **United States Design Patent** (10) **Patent No.:** **US D558,783 S**
Andre et al. (45) **Date of Patent:** **** *Jan. 1, 2008**

(54) **MEDIA DEVICE**

(75) Inventors: **Bartley K. Andre**, Menlo Park, CA (US); **Daniel J. Coster**, San Francisco, CA (US); **Daniele De Iuliis**, San Francisco, CA (US); **Richard P. Howarth**, San Francisco, CA (US); **Steve Jobs**, Palo Alto, CA (US); **Jonathan P. Ive**, San Francisco, CA (US); **Duncan Robert Kerr**, San Francisco, CA (US); **Shin Nishibori**, San Francisco, CA (US); **Matthew Dean Rohrbach**, San Francisco, CA (US); **Douglas B. Satzger**, Menlo Park, CA (US); **Calvin Q. Seid**, Palo Alto, CA (US); **Christopher J. Stringer**, Portola Valley, CA (US); **Eugene Antony Whang**, San Francisco, CA (US); **Rico Zorkendorfer**, San Francisco, CA (US)

(73) Assignee: **Apple Inc.**, Cupertino, CA (US)

(**) Term: **14 Years**

(21) Appl. No.: **29/257,234**

(22) Filed: **Mar. 31, 2006**

Related U.S. Application Data

(63) Continuation of application No. 29/220,038, filed on Dec. 23, 2004, now Pat. No. Des. 529,044, which is a continuation of application No. 29/220,035, filed on Dec. 23, 2004, now Pat. No. Des. 534,921.

(51) **LOC (8) Cl.** **14-03**

(52) **U.S. Cl.** **D14/496**

(58) **Field of Classification Search** D14/496, D14/483, 156-158, 135, 136, 160-165, 192, D14/217, 474; 369/1, 6, 12, 83, 24.01, 273, 369/75.11; 370/342-345; 455/344-351; 273/148 B; 463/1, 43-47

See application file for complete search history.

(56) **References Cited**

U.S. PATENT DOCUMENTS

5,825,408 A 10/1998 Yuyama et al.

(Continued)

FOREIGN PATENT DOCUMENTS

CN 3260632D 10/2002

(Continued)

OTHER PUBLICATIONS

“Notification of Reason(s) for Refusal,” received in corresponding Japanese Design Application No. 2005-11833, Jun. 24, 2005.

(Continued)

Primary Examiner—Prabhakar Deshmukh
(74) *Attorney, Agent, or Firm*—Sterne, Kessler, Goldstein & Fox P.L.L.C.

(57) **CLAIM**

We claim the ornamental design for a media device, substantially as shown and described.

DESCRIPTION

FIG. 1 is a perspective view of media device in accordance with the present design. The media device can, for example, be a media player or a media storage device, and more particularly a music player such as a flash-based MP3 player.

FIG. 2 is a front view for the media device.

FIG. 3 is a rear view for the media device.

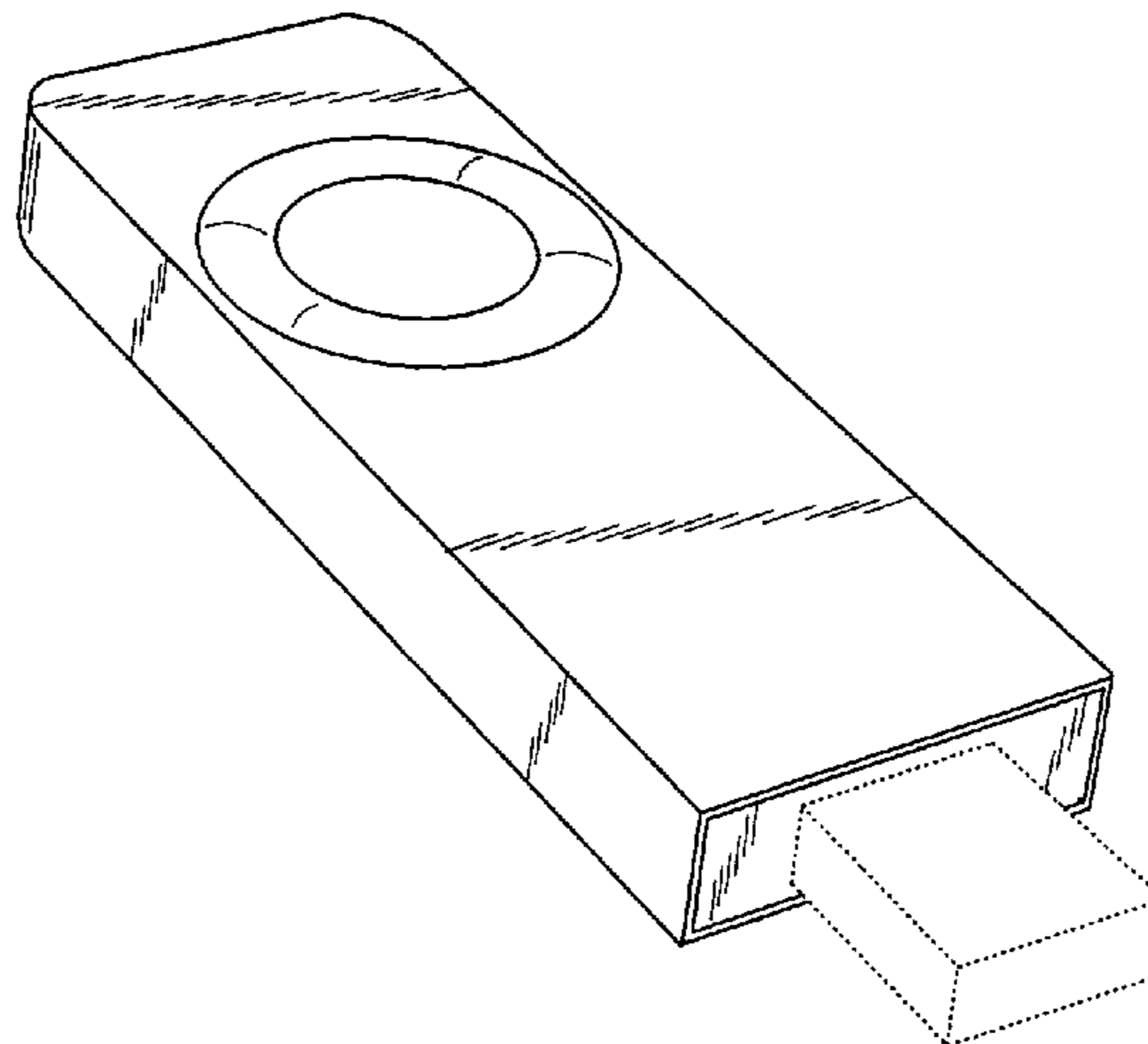
FIG. 4 is a right side view for the media device.

FIG. 5 is a left side view for the media device.

FIG. 6 is a top view for the media device; and,

FIG. 7 is a bottom view for the media device.

1 Claim, 2 Drawing Sheets



US D558,783 S

U.S. PATENT DOCUMENTS

5,859,594	A	1/1999	King et al.
6,122,526	A	9/2000	Parulski et al.
6,671,567	B1	12/2003	Dwyer et al.
D490,068	S	5/2004	Chen
6,733,329	B2 *	5/2004	Yang 439/518
D494,188	S	8/2004	Huang
6,791,907	B2	9/2004	Berhan
D500,302	S	12/2004	Deguchi
D500,485	S	1/2005	Deguchi
D506,476	S	6/2005	Andre et al.
D507,277	S	7/2005	Sitoh
6,920,344	B2	7/2005	Jang
D508,495	S	8/2005	Bone et al.
D511,347	S	11/2005	Naruki
D511,510	S	11/2005	Beasley et al.
D513,011	S	12/2005	Johnson
D516,576	S	3/2006	Ive et al.
D516,579	S	3/2006	Nakamura
D521,023	S	5/2006	Kim et al.
D521,509	S *	5/2006	Chen D14/356
D524,817	S *	7/2006	Conley et al. D14/435
D525,247	S *	7/2006	Rubin et al. D14/435
7,094,074	B2 *	8/2006	Chiou et al. 439/79
D529,044	S	9/2006	Andre et al.
D530,340	S	10/2006	Andre et al.
D534,921	S	1/2007	Andre et al.
D535,308	S	1/2007	Andre et al.
2004/0233646	A1	11/2004	Yen
2005/0109841	A1	5/2005	Ryan et al.
2006/0094301	A1	5/2006	Lee et al.

FOREIGN PATENT DOCUMENTS

CN	3260633D	10/2002
CN	3269799D	12/2002
CN	3287344D	4/2003
CN	3331371D	10/2003
CN	3389184D	9/2004
CN	3453893D	6/2005
CN	3453894D	6/2005
CN	3453909D	6/2005
CN	3468582D	8/2005

CN	3468598D	8/2005
JP	D1085073	9/2000
JP	D1085080	9/2000
JP	D1089527	10/2000
JP	D1089528	10/2000
JP	D1089529	10/2000
JP	D1105429	4/2001
JP	D1106452	4/2001
JP	D1121650	9/2001
JP	D1123108	10/2001
JP	D1129386	12/2001
JP	D1129387	12/2001
JP	D1106151	8/2002
JP	D1089530	10/2002
JP	D1131037	10/2002
JP	D1154927	10/2002
JP	D1174623	6/2003
JP	D1174710	6/2003
JP	D1185408	9/2003
JP	D1188267	10/2003
JP	D1191223	12/2003
JP	D1193941	1/2004
JP	D1211811	7/2004
JP	D1211812	7/2004

OTHER PUBLICATIONS

“ASCII” weekly publication issued on Jul. 29, 2003, No. 450, Design of USB Memory Audio Player (JPO Design No. HA15013509) received by the National Center for Industrial Property Information on Jul. 15, 2003.

U.S. Appl. No. 29/224,220, Andre et al. *Media Device*, filed Feb. 25, 2005.

Office Action from the Taiwanese Intellectual Property Office re: Taiwanese Design Application No. 94302098, Mar. 1, 2006.

“PC2000,” May 2002, p. 84.

U.S. Appl. No. 29/220,120, Andre et al., *Electronic Device*, filed Dec. 23, 2004.

U.S. Appl. No. 29/220,038, Andre et al., *Media Device*, filed Dec. 23, 2004.

U.S. Appl. No. 29/220,035, Andre et al., *Electronic Device*, filed Dec. 23, 2004.

* cited by examiner

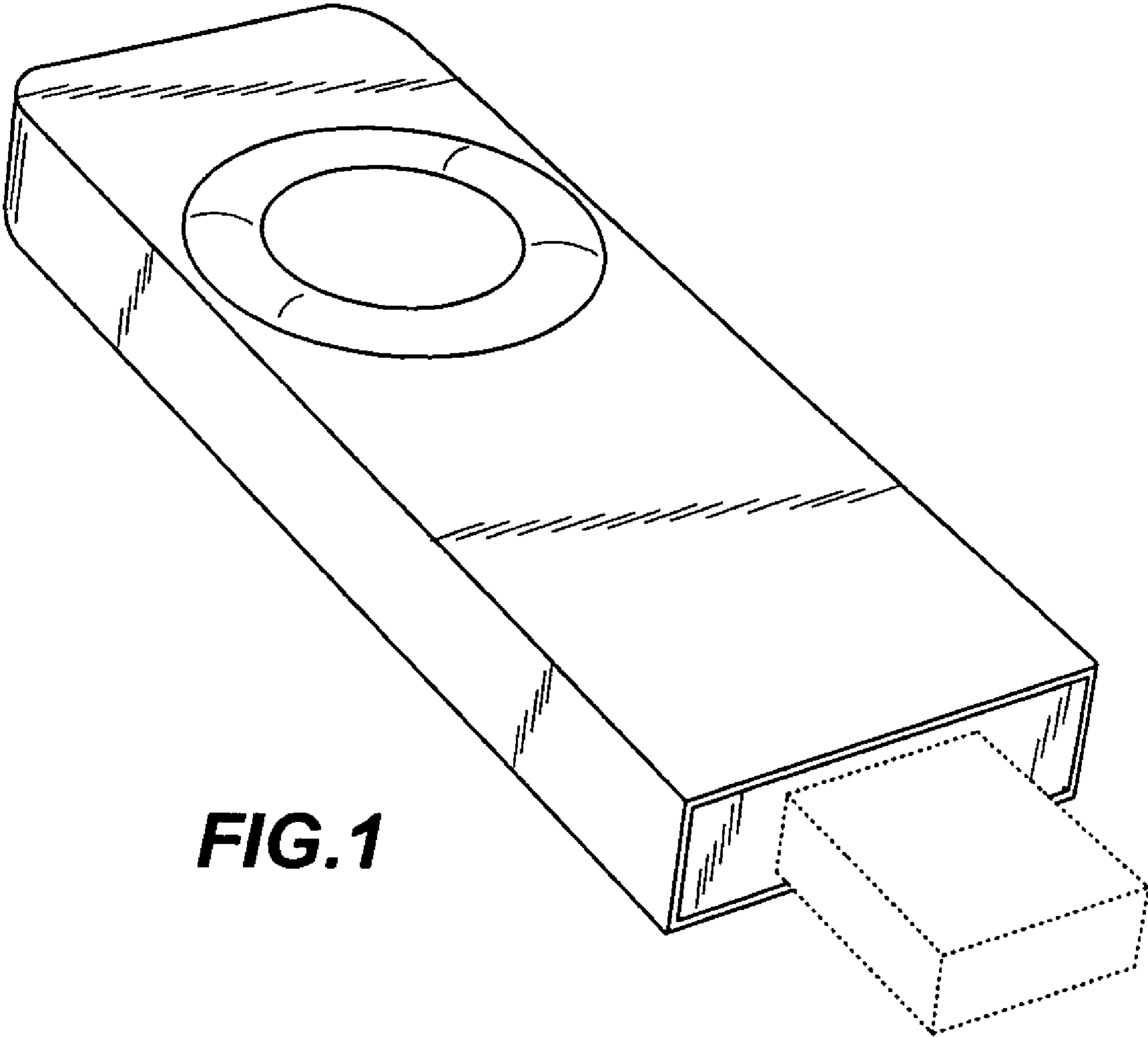


FIG. 1

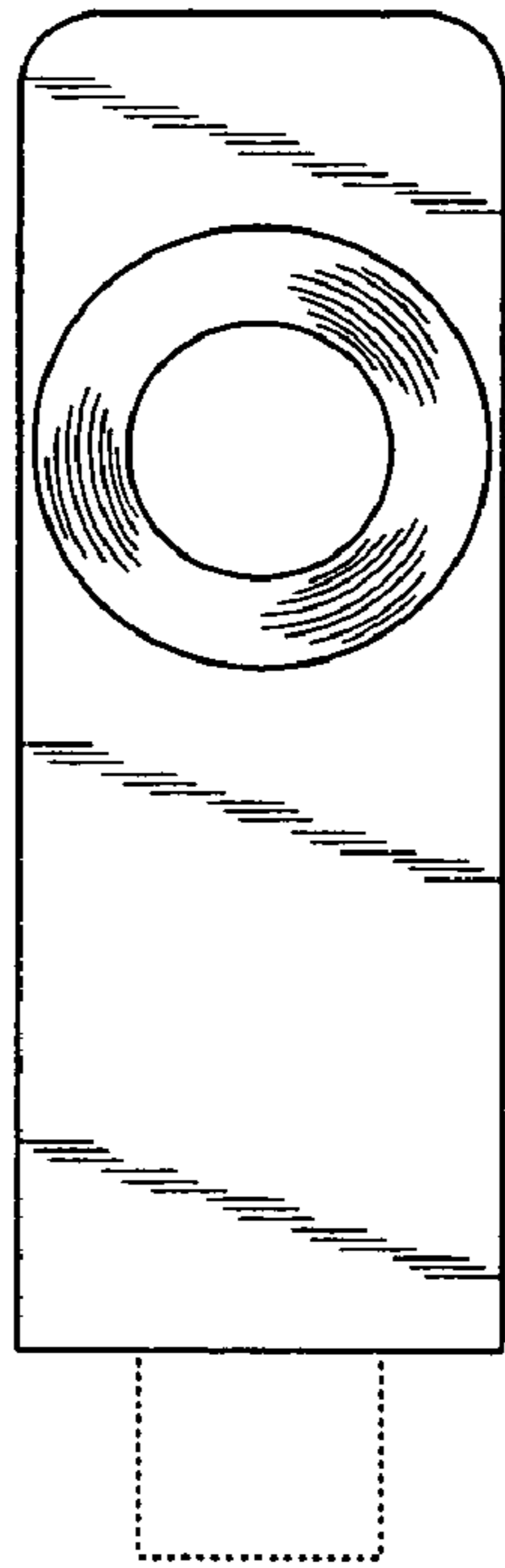


FIG. 2

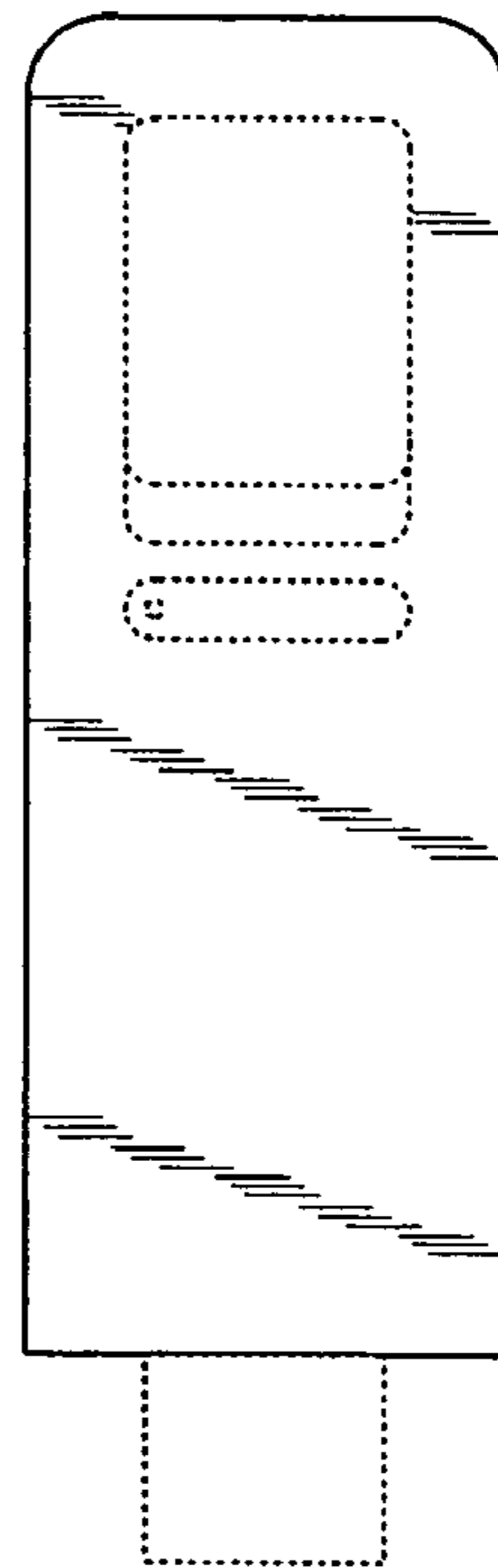


FIG. 3

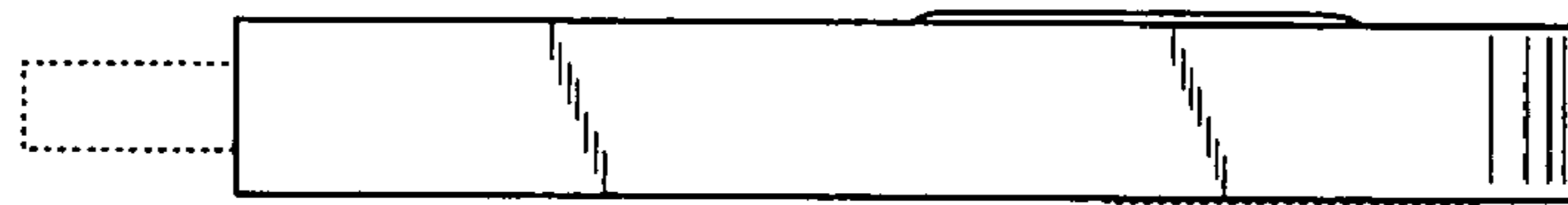


FIG. 4



FIG. 5

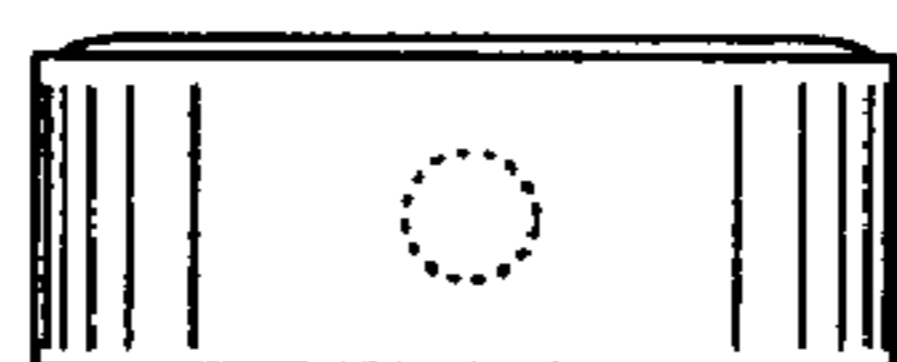


FIG. 6

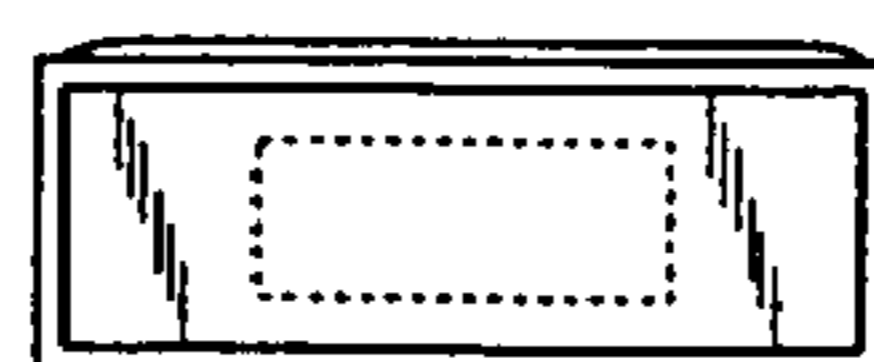


FIG. 7