



US00D558775S

(12) **United States Design Patent**
Morris et al.

(10) **Patent No.:** **US D558,775 S**
(45) **Date of Patent:** **** Jan. 1, 2008**

(54) **BOTTOM PORTION HOUSING OF A MOBILE DEVICE**

(75) Inventors: **Quintin Morris**, Brooklyn, NY (US);
Katrika Woodcock, Brooklyn, NY (US); **Jorg Schlieffers**,
Streatley-on-Thames (GB); **Roland Lee**,
Flushing, NY (US)

(73) Assignee: **Symbol Technologies, Inc.**, Holtsville,
NY (US)

(**) Term: **14 Years**

(21) Appl. No.: **29/253,477**

(22) Filed: **Feb. 7, 2006**

(51) **LOC (8) Cl.** **08-07**

(52) **U.S. Cl.** **D14/453**

(58) **Field of Classification Search** D14/420,
D14/426-430, 453, 346, 341, 347, 412; D13/107,
D13/184; 358/473; 235/462.43, 462.45,
235/462.47, 462.48, 462.44, 462.46, 487,
235/472.01, 472.02; 16/110.1, 430, 431;
439/133, 135; 709/219, 201; 710/73; 320/114,
320/115, 123; 361/679; 382/313, 321; 455/575.1,
455/561, 572

See application file for complete search history.

(56) **References Cited**

U.S. PATENT DOCUMENTS

D414,470 S * 9/1999 Chacon et al. D14/341

D439,898 S * 4/2001 Ober et al. D14/347
D458,264 S * 6/2002 MacGregor D14/426
D473,872 S * 4/2003 Ausems et al. D14/420
6,832,729 B1 * 12/2004 Perry et al. 235/472.01
2002/0193082 A1 * 12/2002 Uemura et al. 455/90

* cited by examiner

Primary Examiner—Melanie Tung

Assistant Examiner—Susan Moon Lee

(74) *Attorney, Agent, or Firm*—Fay Kaplun & Marcin, LLP

(57) **CLAIM**

The ornamental design for a bottom portion housing of a mobile device, as shown and described.

DESCRIPTION

FIG. 1 is a first side view of an ornamental design of an embodiment of a bottom portion housing of a mobile device showing our new design;

FIG. 2 is a second side view thereof;

FIG. 3 is a top view thereof;

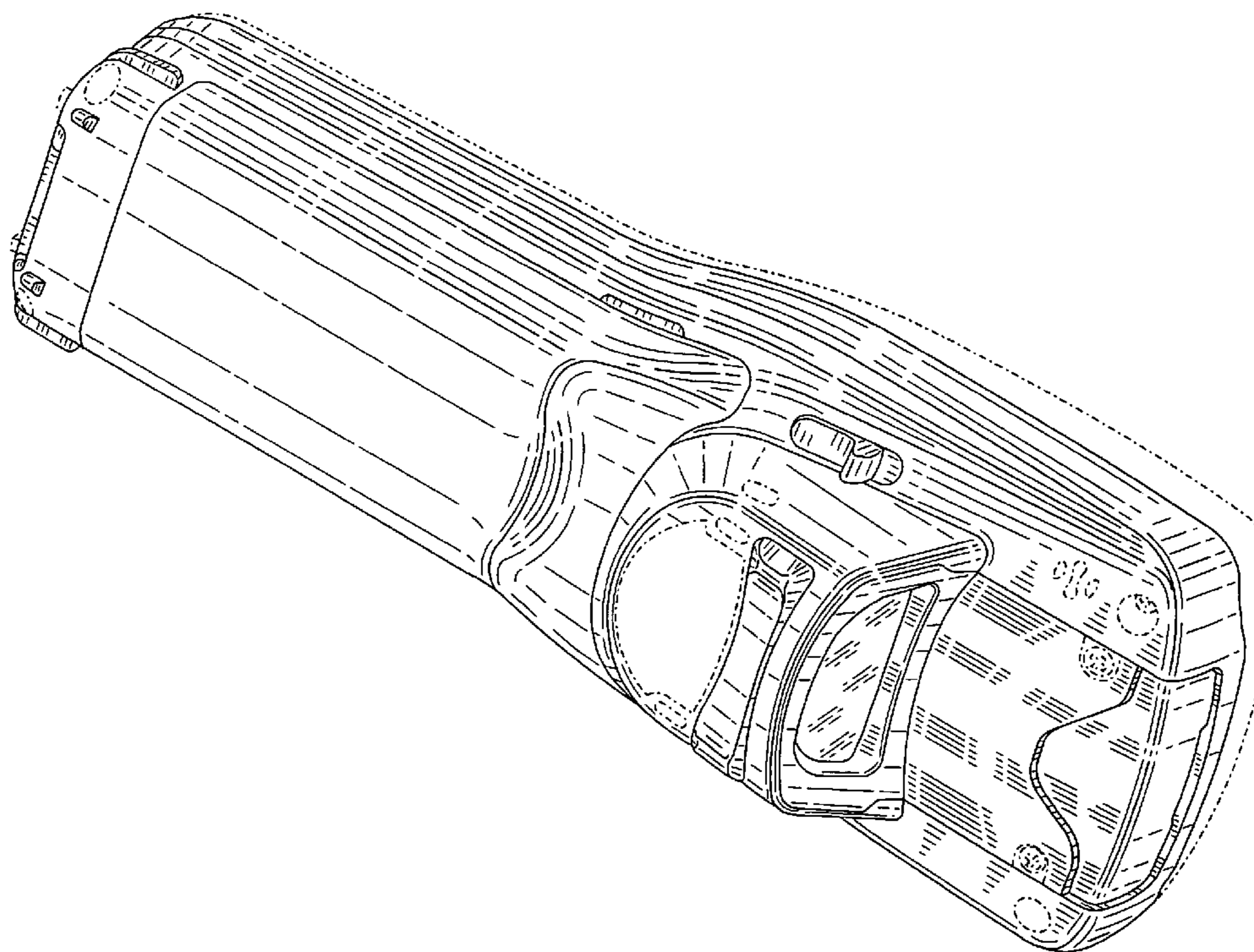
FIG. 4 is a bottom view thereof;

FIG. 5 is a front view thereof, the rear view is a mirror image; and,

FIG. 6 is an enlarged isometric view thereof.

The broken lines shown in FIGS. 1-6 are included for illustrative purposes only and form no part of the claimed design.

1 Claim, 5 Drawing Sheets



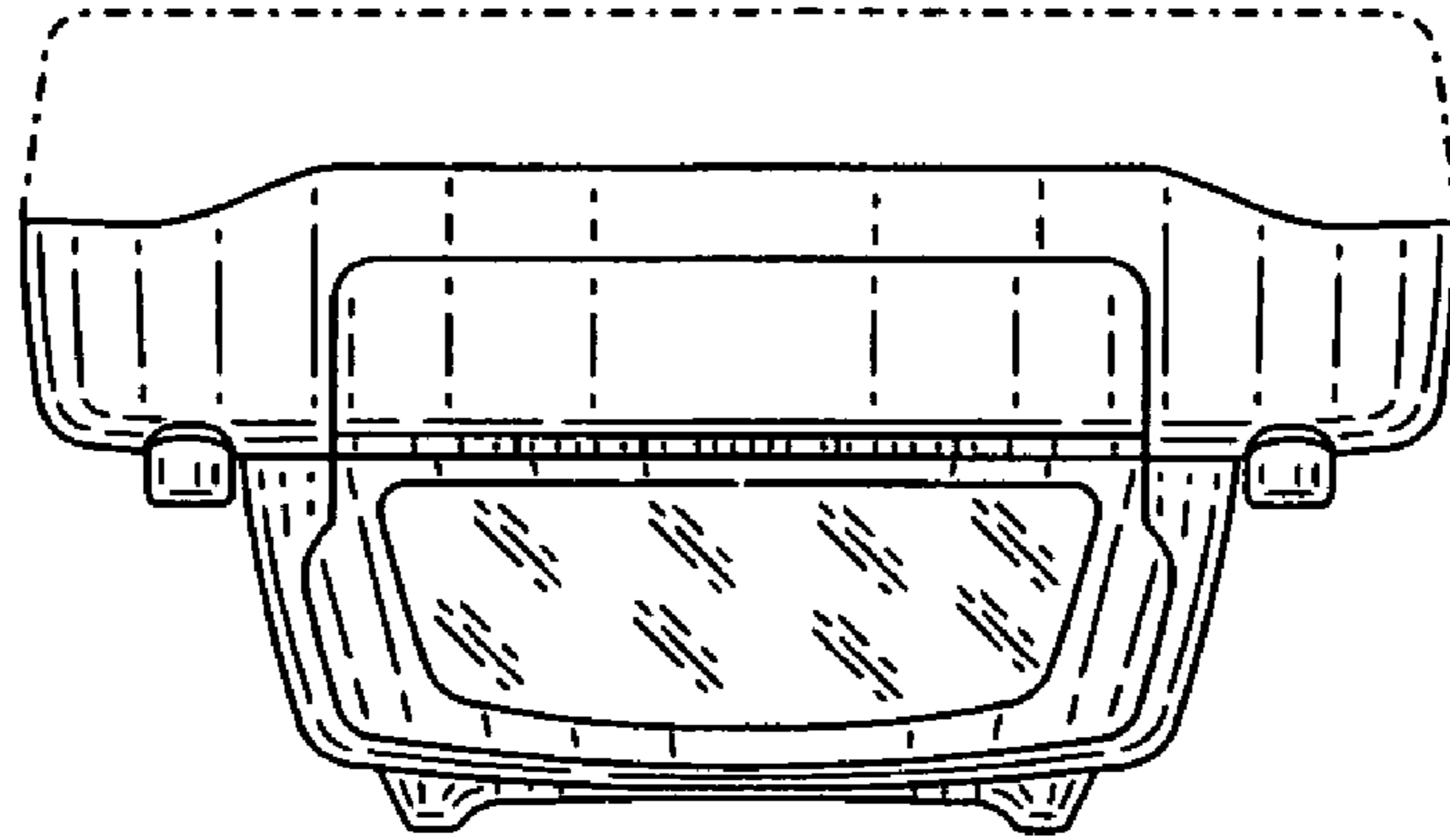


FIG. 1

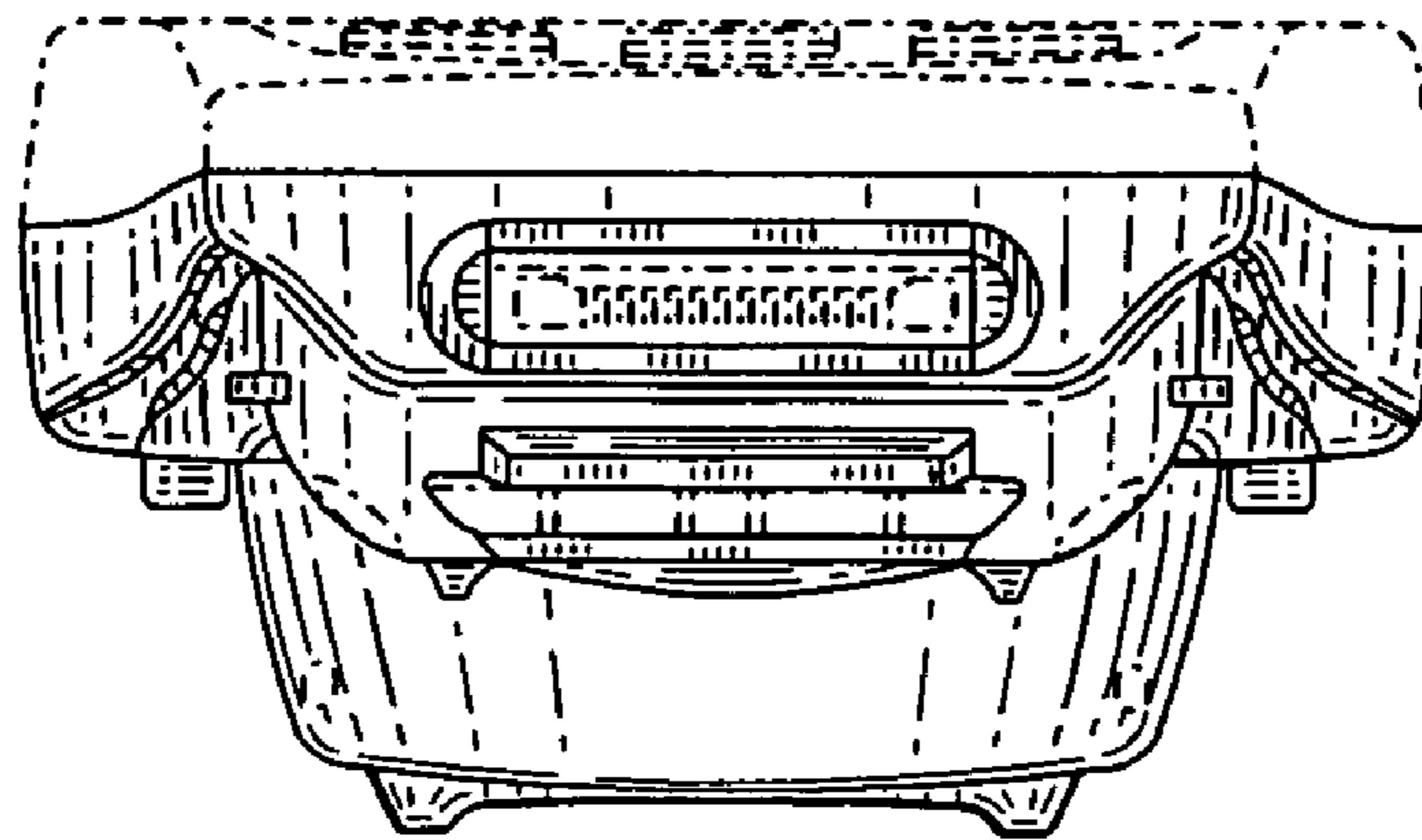


FIG. 2

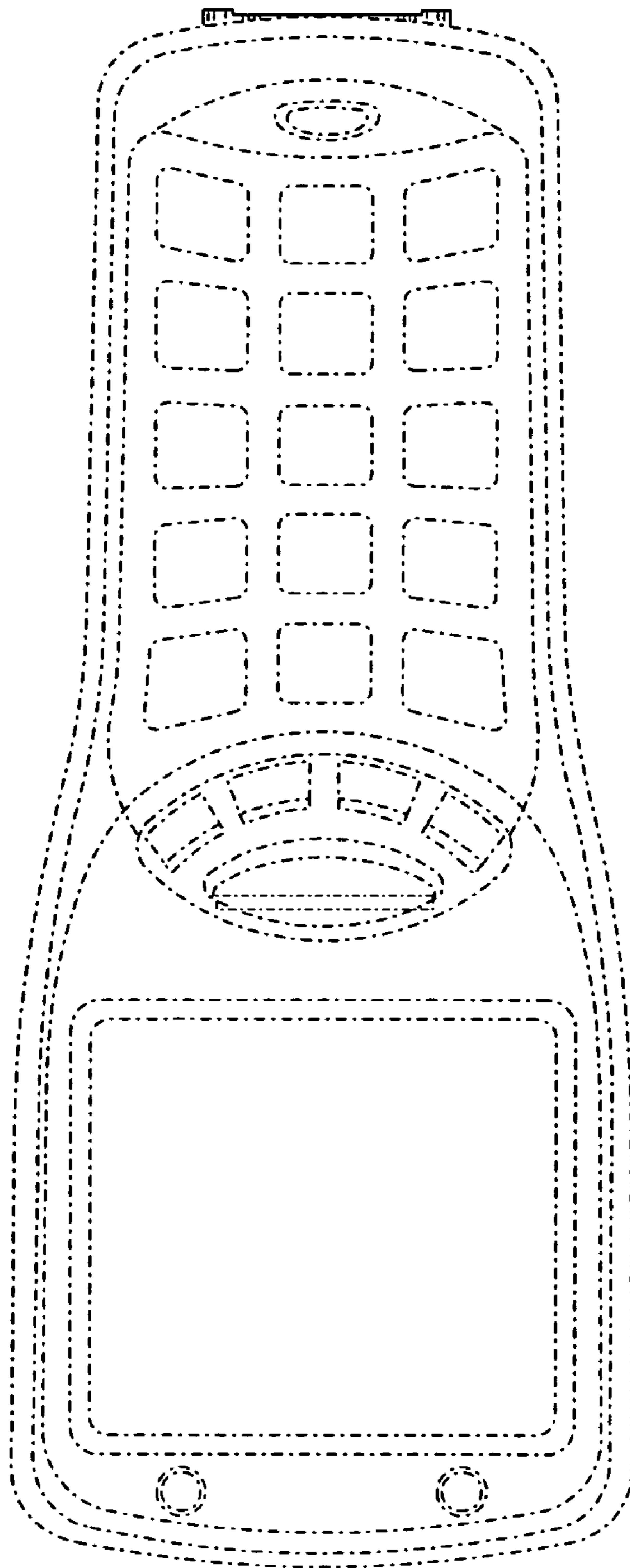


FIG. 3

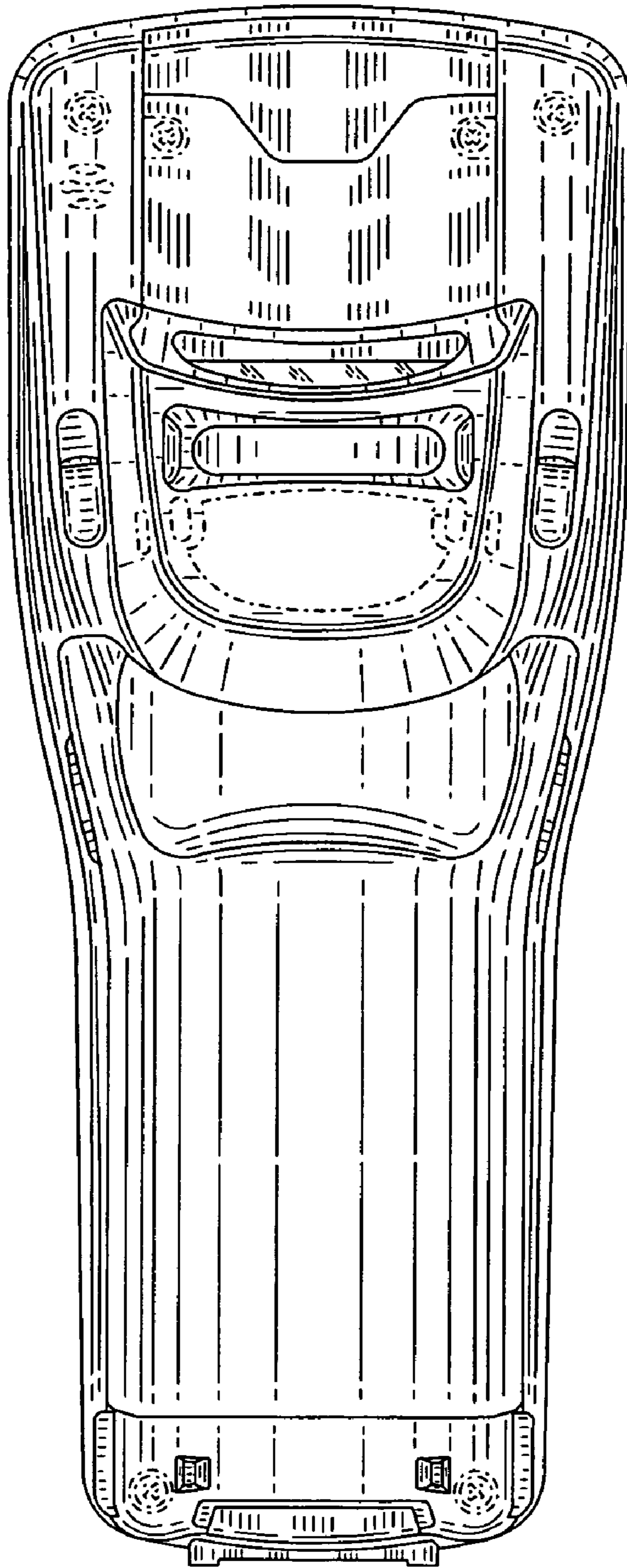


FIG. 4

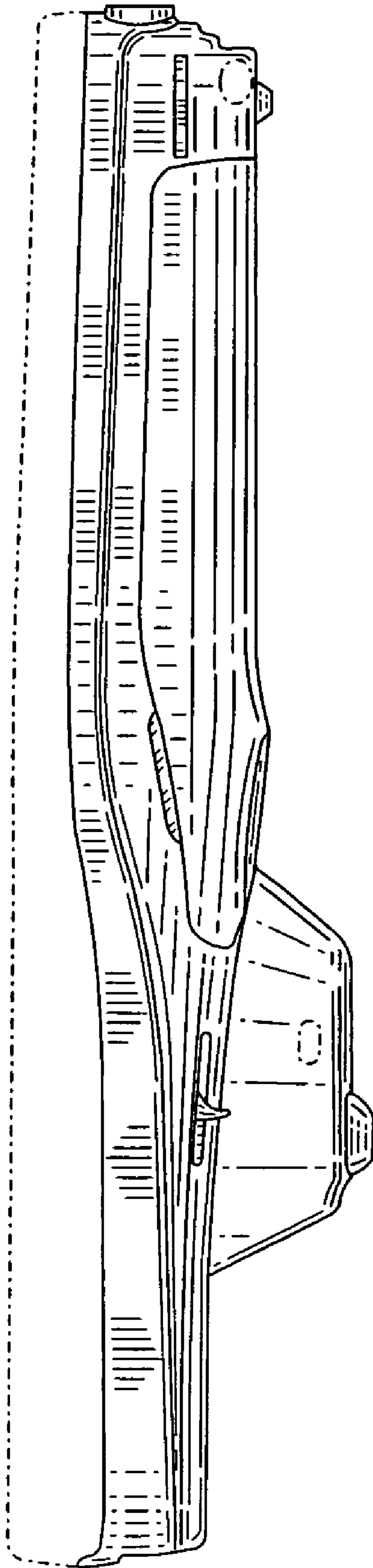


FIG. 5

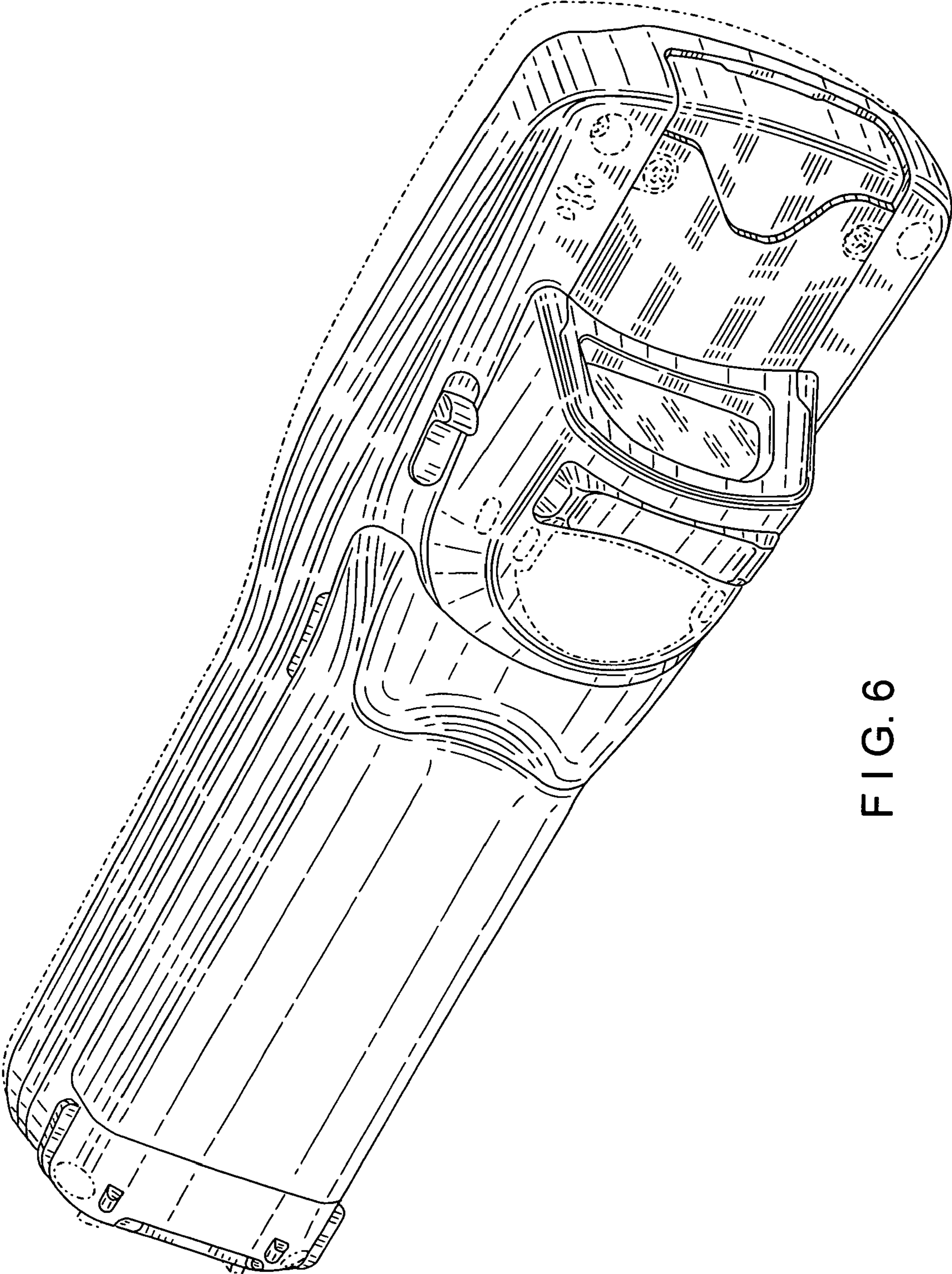


FIG. 6