



US00D558774S

(12) **United States Design Patent**
Najima

(10) **Patent No.:** **US D558,774 S**
(45) **Date of Patent:** **** Jan. 1, 2008**

(54) **PERSONAL COMPUTER PLACEMENT PLATFORM**

2003/0001064 A1* 1/2003 Book 248/460
2004/0007649 A1* 1/2004 Vettrains 248/127

(76) Inventor: **Hideo Najima**, 11-24, Shimoigusa
5-chome, Suginami-ku, Tokyo (JP)

* cited by examiner

(**) Term: **14 Years**

Primary Examiner—Cathron C. Brooks

Assistant Examiner—Angela Lee

(74) *Attorney, Agent, or Firm*—Day Pitney LLP

(21) Appl. No.: **29/264,886**

(57) **CLAIM**

(22) Filed: **Aug. 21, 2006**

The ornamental design for the personal computer placement platform, as shown.

(51) **LOC (8) Cl.** **14-03**

(52) **U.S. Cl.** **D14/447**

(58) **Field of Classification Search** D14/316,
D14/356, 375, 376, 432, 434, 439, 447, 448,
D14/451, 452, 457, 460, 328, 324, 405; D6/300,
D6/310, 311, 312, 419, 449, 512, 513; D19/20,
D19/89, 90, 91; 108/10, 28, 32, 6; 248/442.2,
248/454, 457, 460, 371, 447, 393, 398, 127,
248/133, 136, 178.1, 455, 349.1, 346.03,
248/176.1, 346.06, 346.04, 346.07, 346.01,
248/441.1, 917, 918, 919, 920, 921, 922,
248/923, 924; 361/683, 686

See application file for complete search history.

DESCRIPTION

FIG. 1 is a perspective view of a personal computer placement platform showing my new design;

FIG. 2 is a top plan view thereof;

FIG. 3 is a bottom plan view thereof;

FIG. 4 is a right-side elevational view thereof;

FIG. 5 is a front-side elevational view thereof;

FIG. 6 is a back-side elevational view thereof;

FIG. 7 is the cross-sectional view taken along line 7—7 of FIG. 2 showing the areas of intersect the claimed subject matter, omitting what would be seen in the direction of the arrows for ease of illustration.

FIG. 8 is a top plan view when folded;

FIG. 9 is a bottom plan view when folded;

FIG. 10 is a right-side elevational view when folded;

FIG. 11 is a front-side elevational view when folded; and,

FIG. 12 is a back-side elevational view when folded.

(56) **References Cited**

U.S. PATENT DOCUMENTS

D46,314 S * 8/1914 Levy D6/310
D59,607 S * 11/1921 Spencer D6/310
4,624,433 A * 11/1986 Henneberg 248/346.06
5,607,135 A * 3/1997 Yamada 248/456
6,505,797 B1 * 1/2003 Dempsey 248/166
D469,803 S * 2/2003 Goodman et al. D19/34.1
D539,291 S * 3/2007 Li et al. D14/447
D540,331 S * 4/2007 Ly Hau et al. D14/451

1 Claim, 7 Drawing Sheets

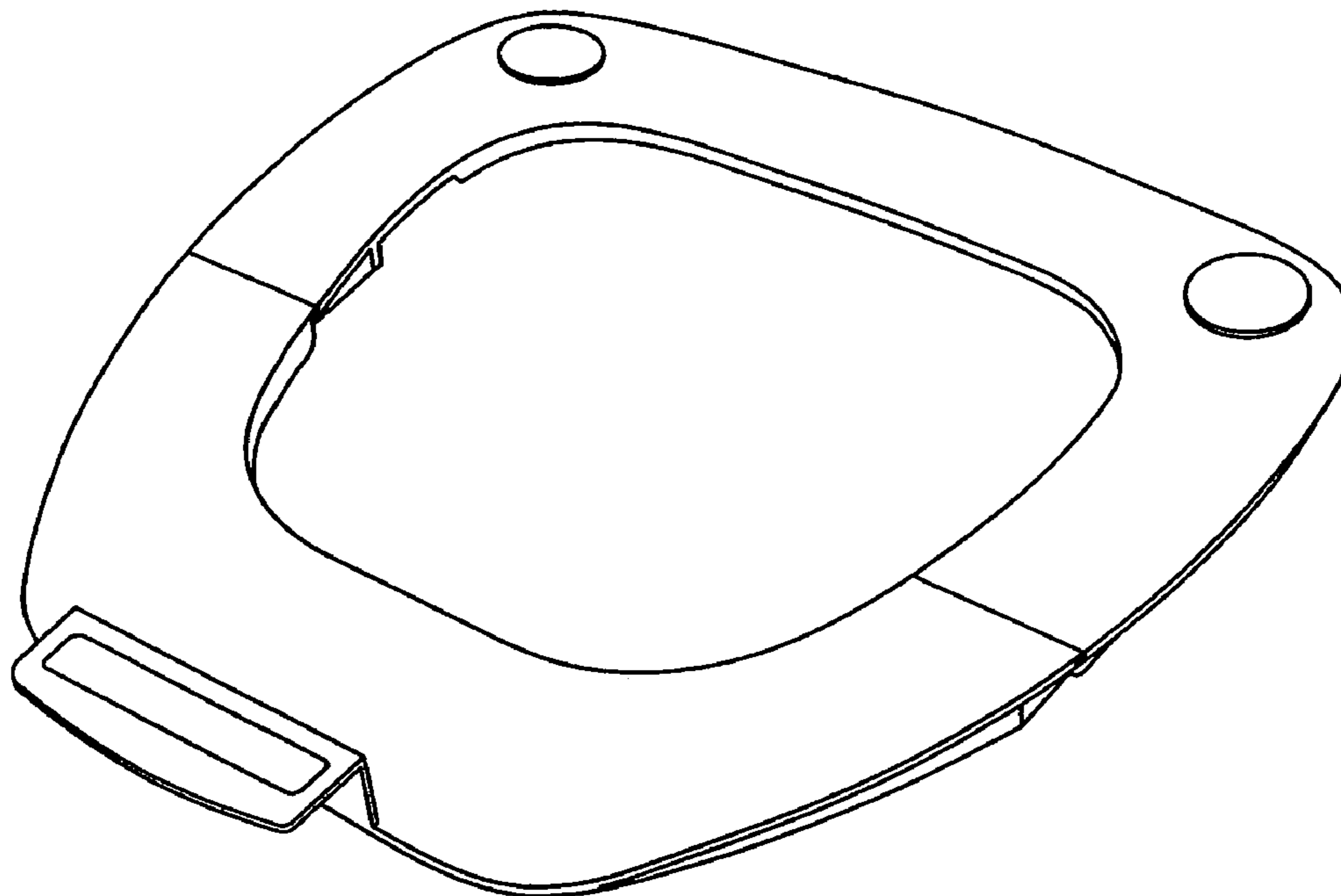


Fig. 1

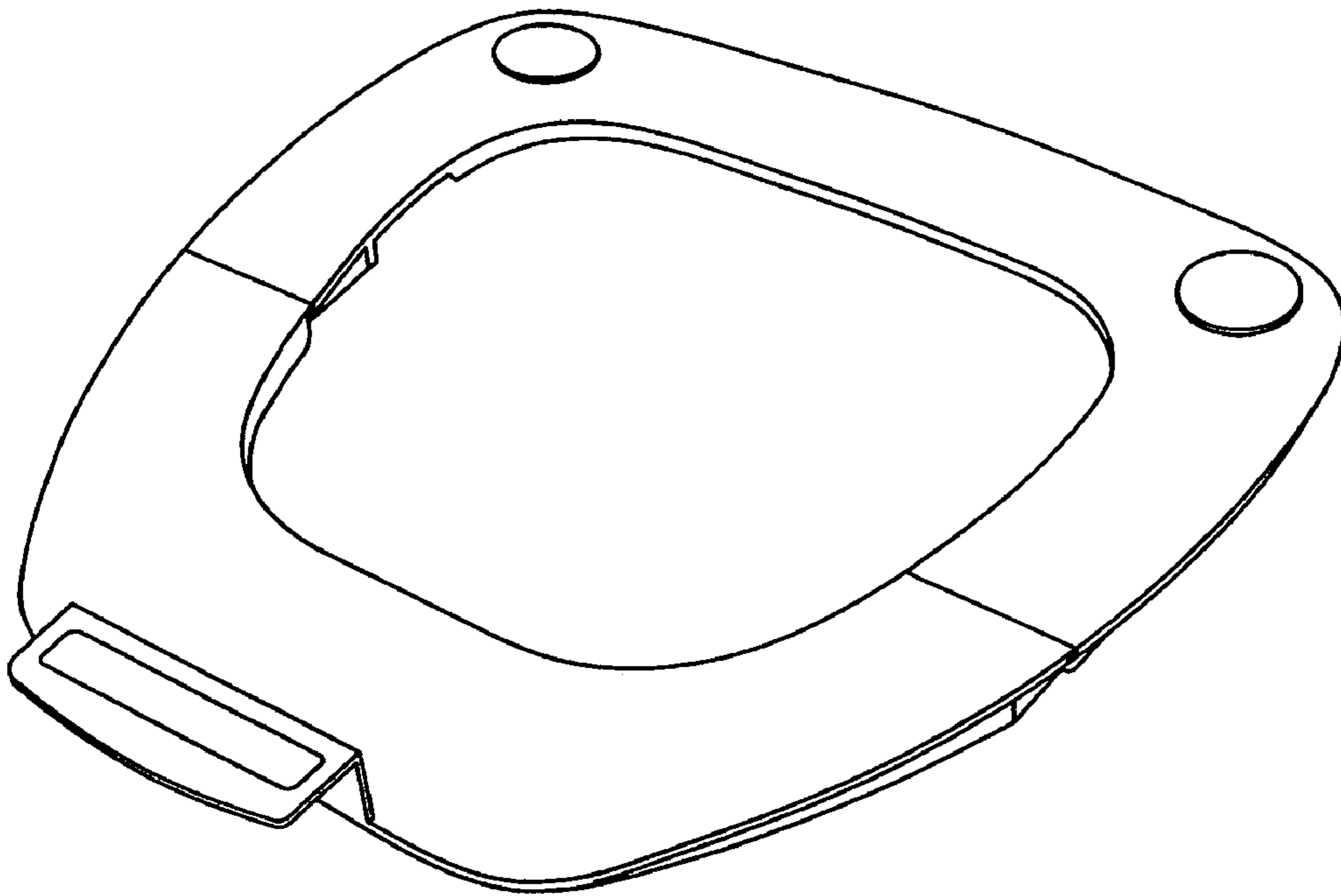


Fig. 2

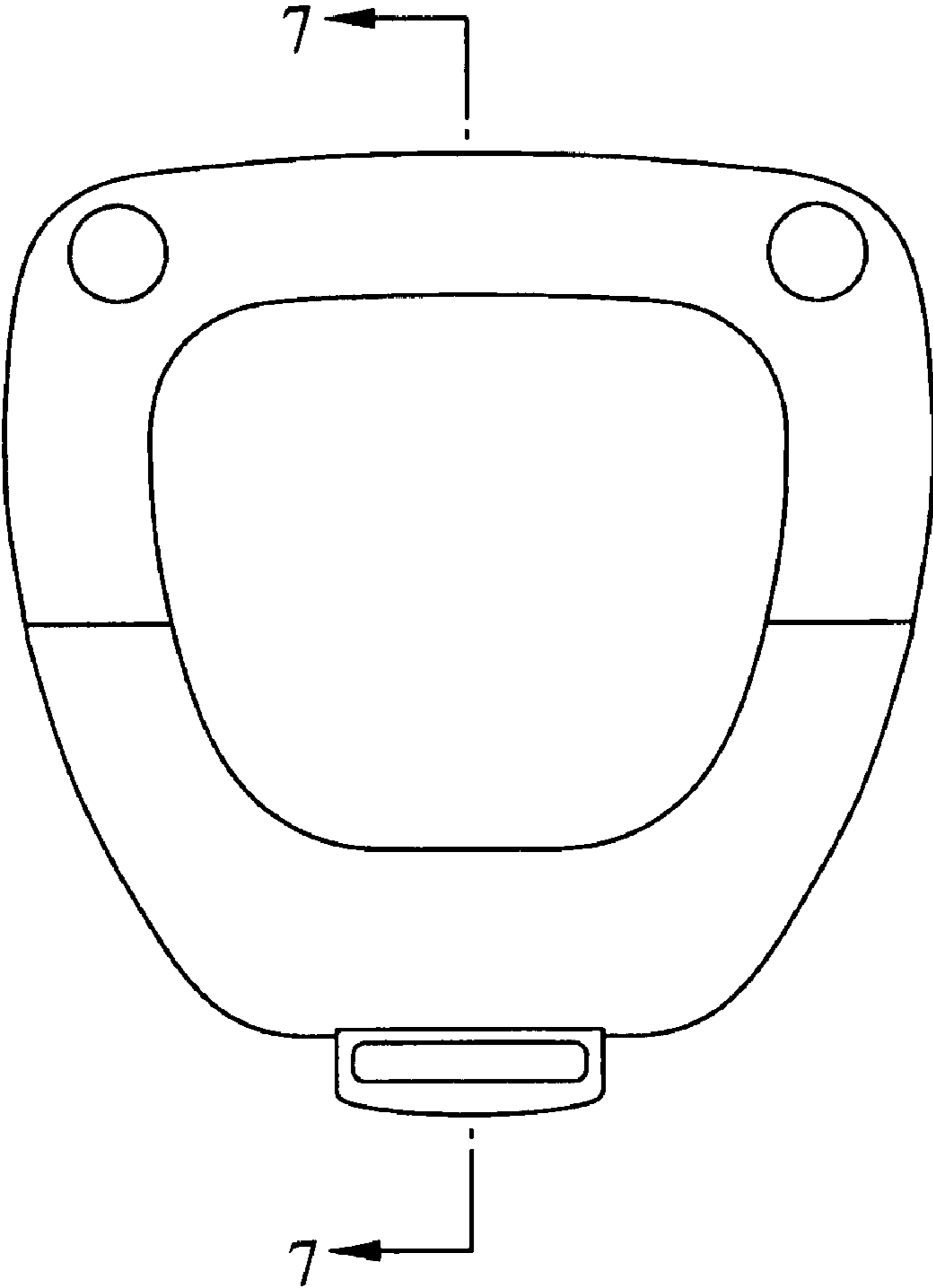


Fig. 3

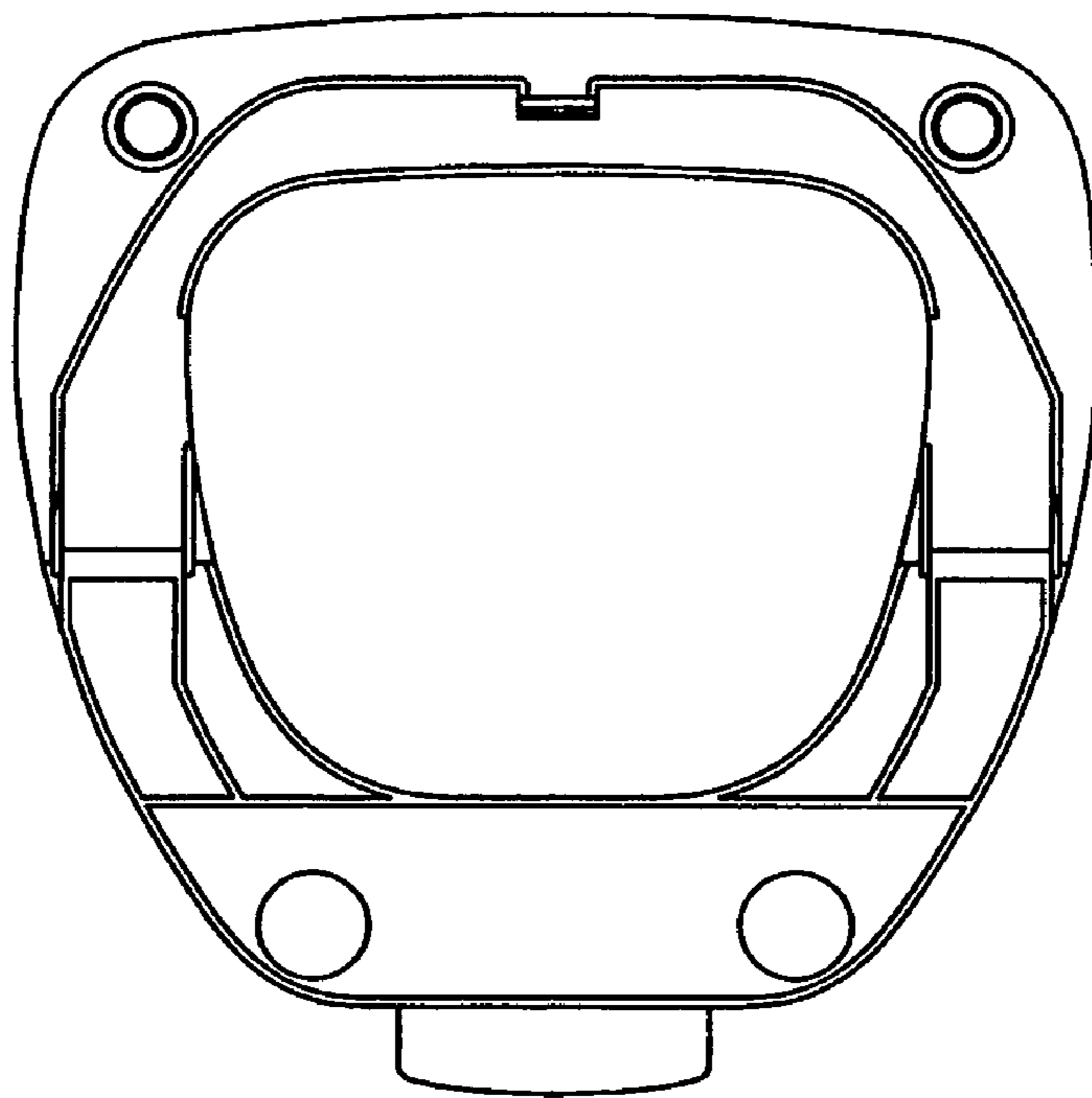


Fig. 4

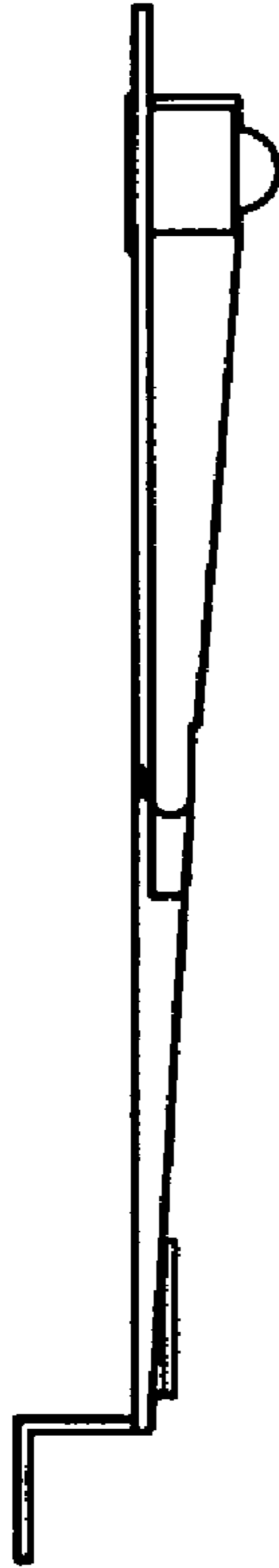


Fig. 5

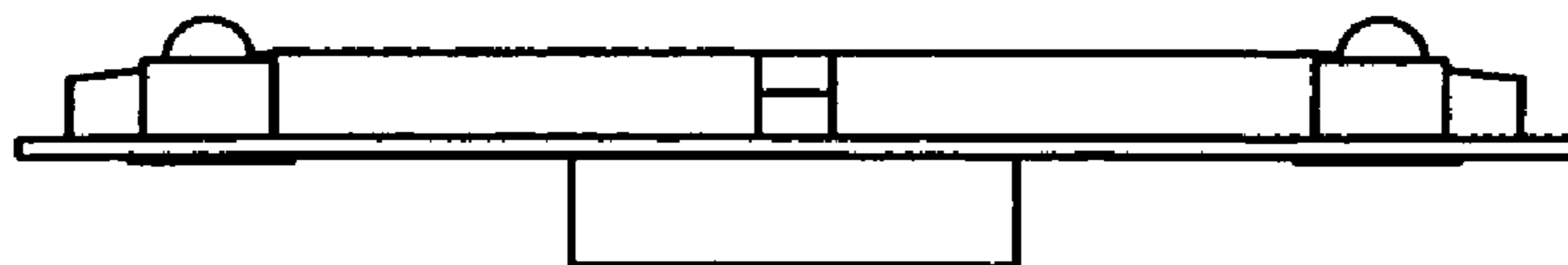


Fig. 6

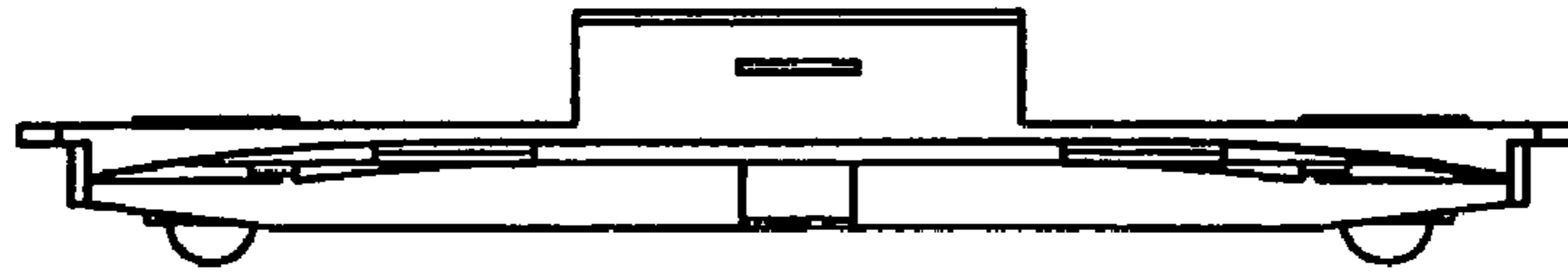


Fig. 7

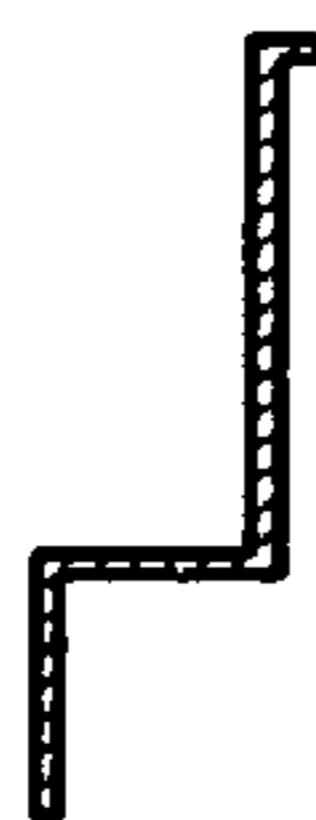


Fig. 8

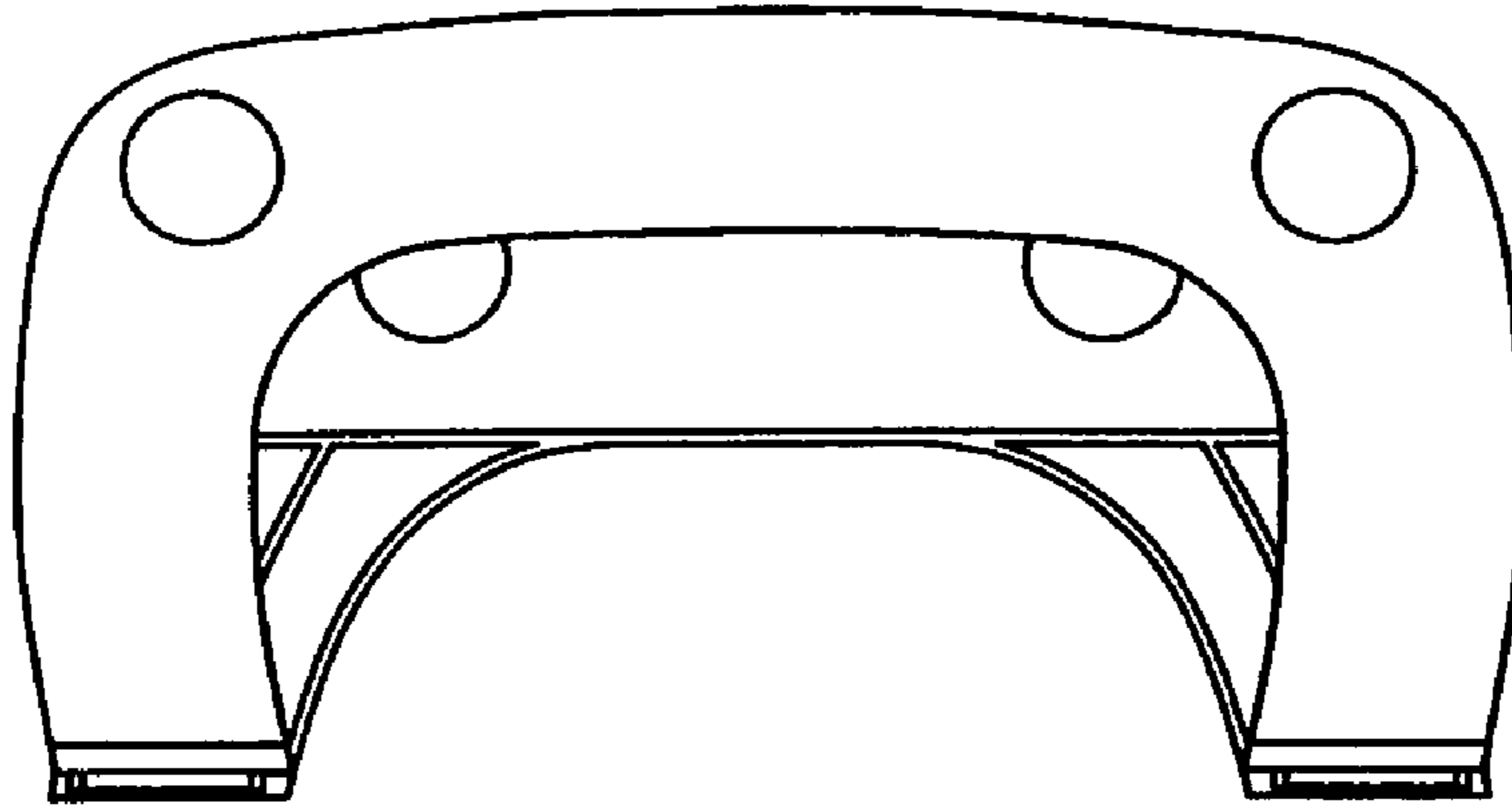


Fig. 9

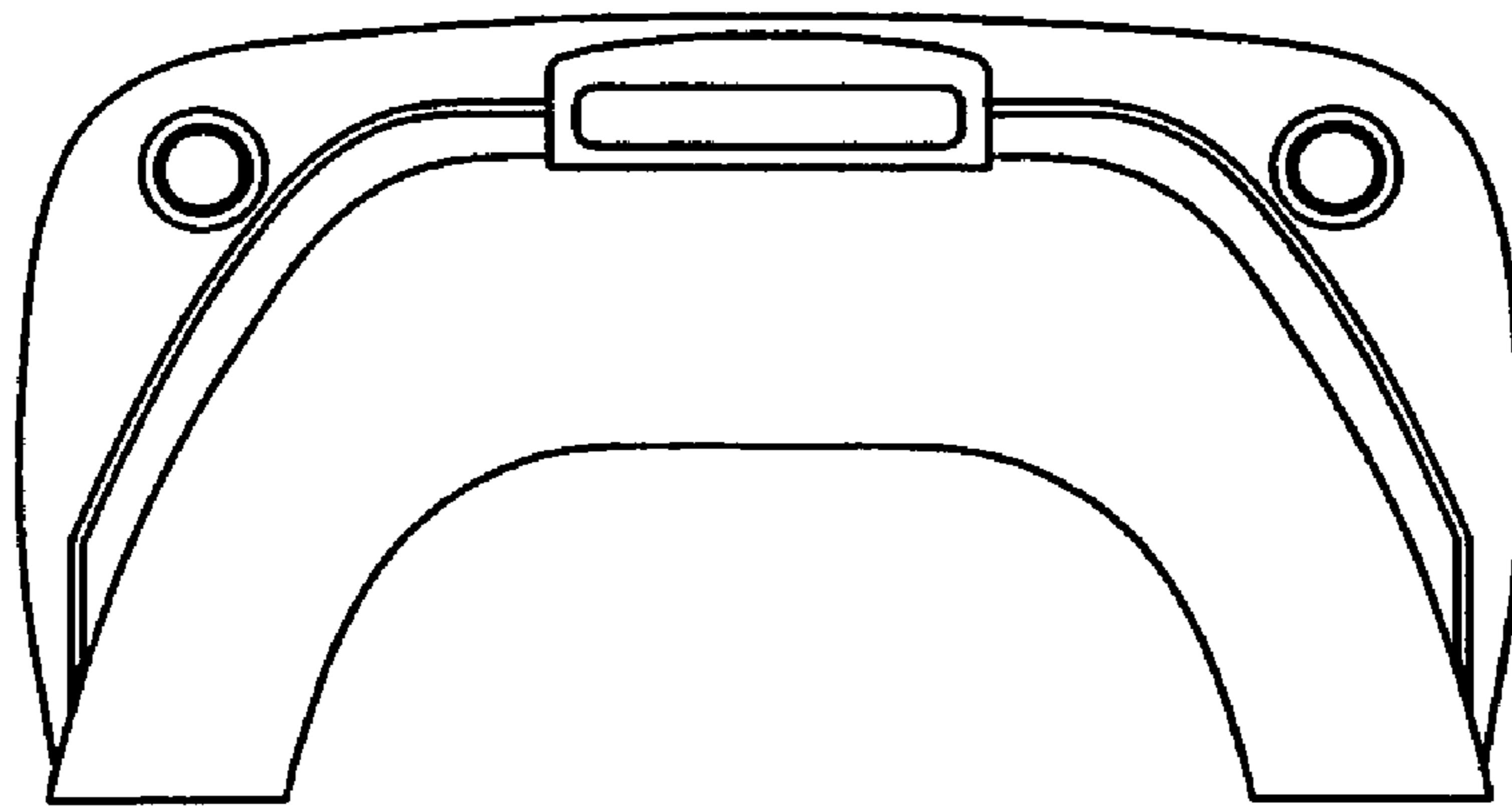


Fig. 10



Fig. 11



Fig. 12

