



US00D558771S

(12) **United States Design Patent**
Derry et al.

(10) **Patent No.:** **US D558,771 S**
(45) **Date of Patent:** **** Jan. 1, 2008**

(54) **LAPTOP HOLDER**

(75) Inventors: **Bradley A. Derry**, Allentown, PA (US);
Christopher Eric Grim, Freemansburg, PA (US)

(73) Assignee: **Innovative Office Products, Inc.**,
Easton, PA (US)

(**) Term: **14 Years**

(21) Appl. No.: **29/261,219**

(22) Filed: **Jun. 9, 2006**

(51) **LOC (8) Cl.** **14-03**

(52) **U.S. Cl.** **D14/447**

(58) **Field of Classification Search** D14/316,
D14/356, 375, 376, 432, 434, 439, 447, 448,
D14/451, 452, 457, 460, 328, 324, 405; D6/300,
D6/310, 311, 312, 419, 449, 512, 513; D19/20,
D19/89, 90, 91; 108/10, 28, 32, 6; 248/442.2,
248/454, 457, 460, 371, 447, 393, 398, 127,
248/133, 136, 178.1, 455, 349.1, 346.03,
248/176.1, 346.06, 346.04, 346.07, 346.01,
248/441.1, 917, 918, 919, 920, 921, 922,
248/923, 924; 361/683, 686

See application file for complete search history.

(56) **References Cited**

U.S. PATENT DOCUMENTS

2,913,830	A	11/1959	Schroter	
3,451,668	A	6/1969	Robinson	
4,032,232	A	6/1977	Perthes	
4,913,390	A	4/1990	Berke	
5,029,796	A *	7/1991	Schoenig	248/443
5,330,147	A	7/1994	Volcheff et al.	
5,623,869	A	4/1997	Moss et al.	
5,673,628	A	10/1997	Boos	
5,839,713	A	11/1998	Wright	
D430,156	S *	8/2000	Yamada	D14/328

(Continued)

Primary Examiner—Cathron C. Brooks

Assistant Examiner—Angela Lee

(74) *Attorney, Agent, or Firm*—Lerner, David, Littenberg,
Krumholz & Mentlik, LLP

(57) **CLAIM**

The ornamental design for a laptop holder, as shown and described.

DESCRIPTION

FIG. 1 is a perspective view of the laptop holder in accordance with an embodiment of the invention;

FIG. 2 is a bottom plan view of the laptop holder of FIG. 1;

FIG. 3 is a front elevational view of the laptop holder of FIG. 1;

FIG. 4 is a right side elevational view of the laptop holder of FIG. 1, the left side elevational view being a mirror image of the left side;

FIG. 5 is a rear elevational view of the laptop holder of FIG. 1;

FIG. 6 is a top plan view of the laptop holder of FIG. 1;

FIG. 7 is a perspective view of the laptop holder in accordance with another embodiment of the invention;

FIG. 8 is a bottom plan view of the laptop holder of FIG. 7;

FIG. 9 is a front elevational view of the laptop holder of FIG. 7;

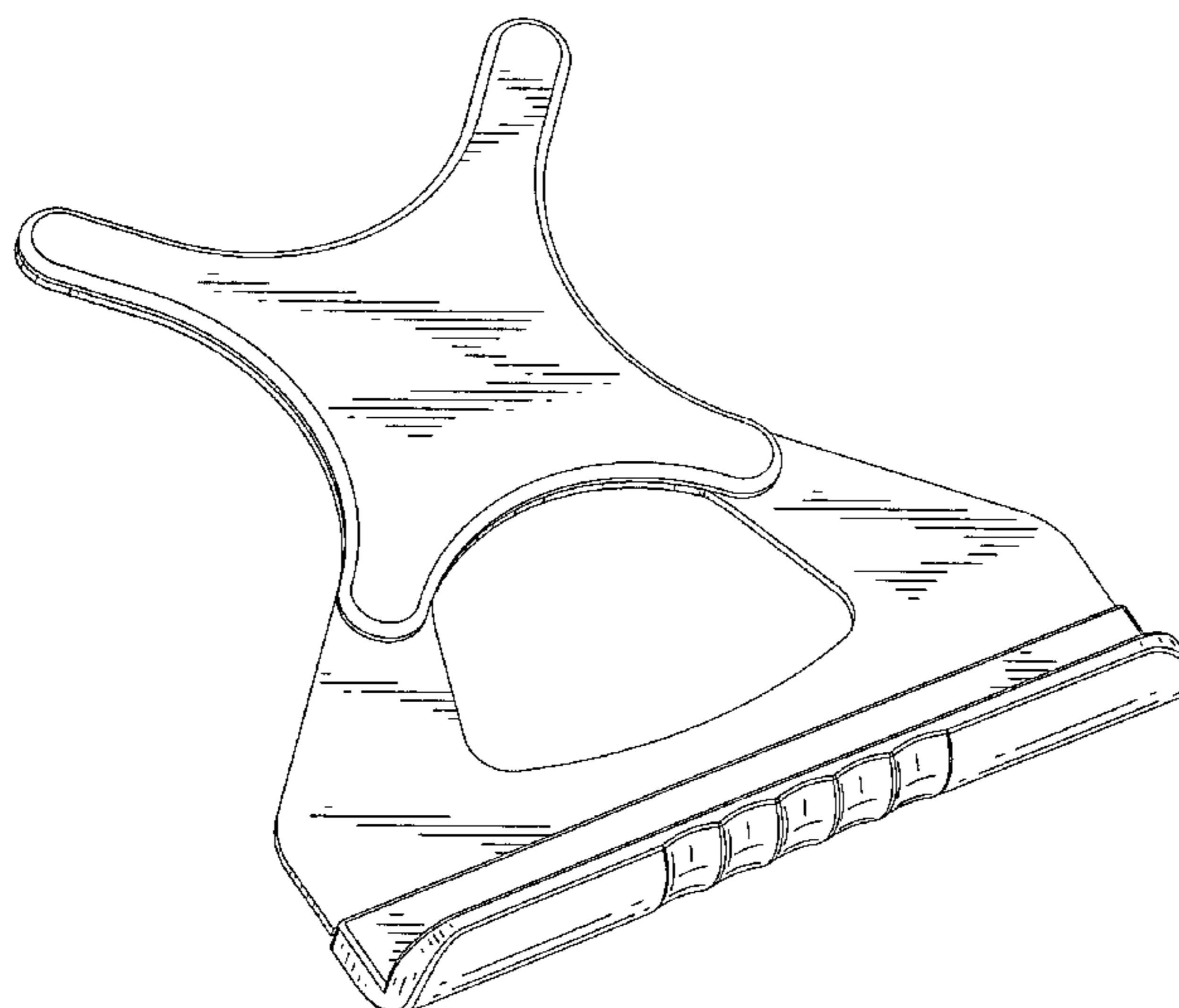
FIG. 10 is a right side elevational view of the laptop holder of FIG. 7, the left side elevational view being a mirror image of the left side;

FIG. 11 is a rear elevational view of the laptop holder of FIG. 7; and,

FIG. 12 is a top plan view of the laptop holder of FIG. 7.

The broken line showing of the laptop holders is included for the purpose of illustrating portions of the article and forms no part of the claimed design.

1 Claim, 6 Drawing Sheets



US D558,771 S

Page 2

U.S. PATENT DOCUMENTS

6,209,838 B1	4/2001	Anderson et al.	6,585,212 B2	7/2003	Carnevali
6,366,458 B1	4/2002	Yoshida et al.	6,746,735 B2 *	6/2004	Snedeker 428/34.1
6,491,268 B1	12/2002	Channer et al.	D498,611 S *	11/2004	Lin et al. D6/449
6,496,360 B1	12/2002	Cordes et al.	D511,522 S *	11/2005	Toltzman et al. D14/447
6,527,241 B1 *	3/2003	Lord 248/346.01	7,035,100 B2 *	4/2006	Lord 361/686
D473,562 S *	4/2003	Russell D14/447	7,121,214 B1 *	10/2006	Toltzman et al. 108/43
D473,563 S *	4/2003	Russell D14/447	2004/0007651 A1	1/2004	Williams et al.
D475,057 S *	5/2003	Lord D14/447	2004/0026590 A1	2/2004	Lin

* cited by examiner

FIG. 1

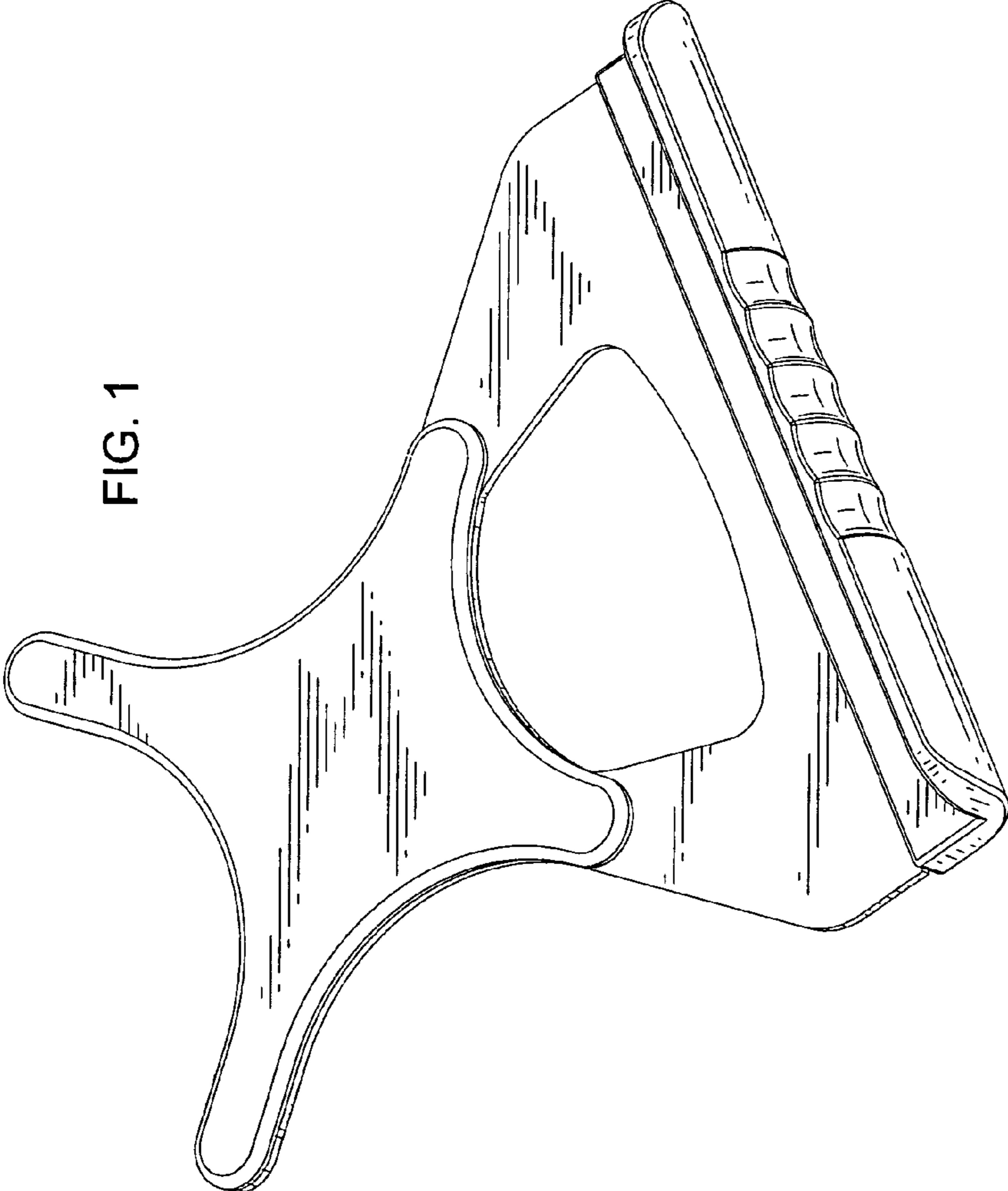


FIG. 2

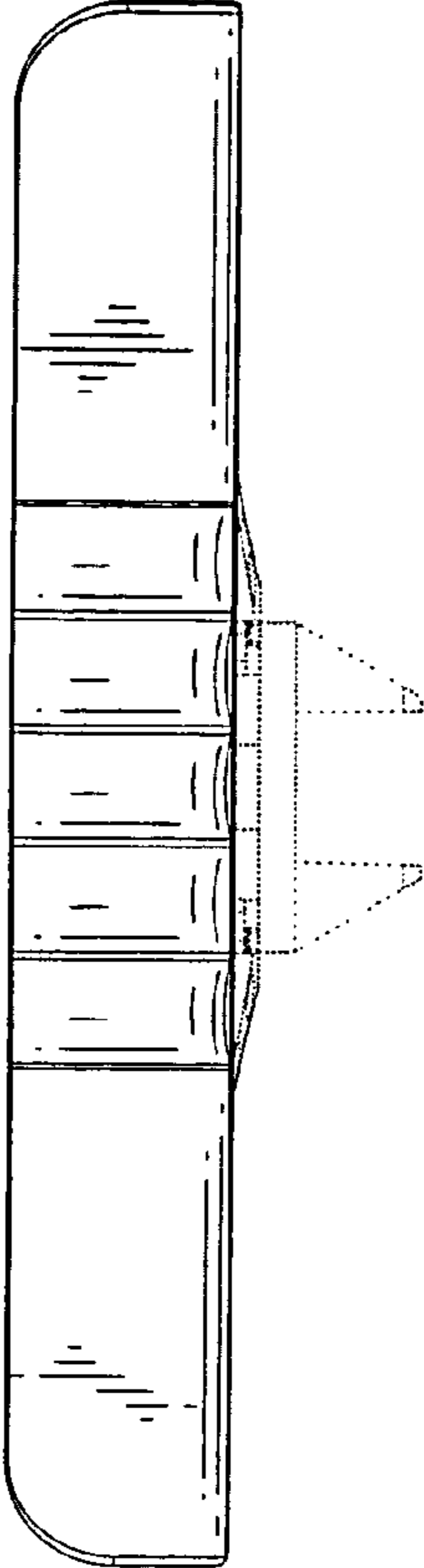


FIG. 4

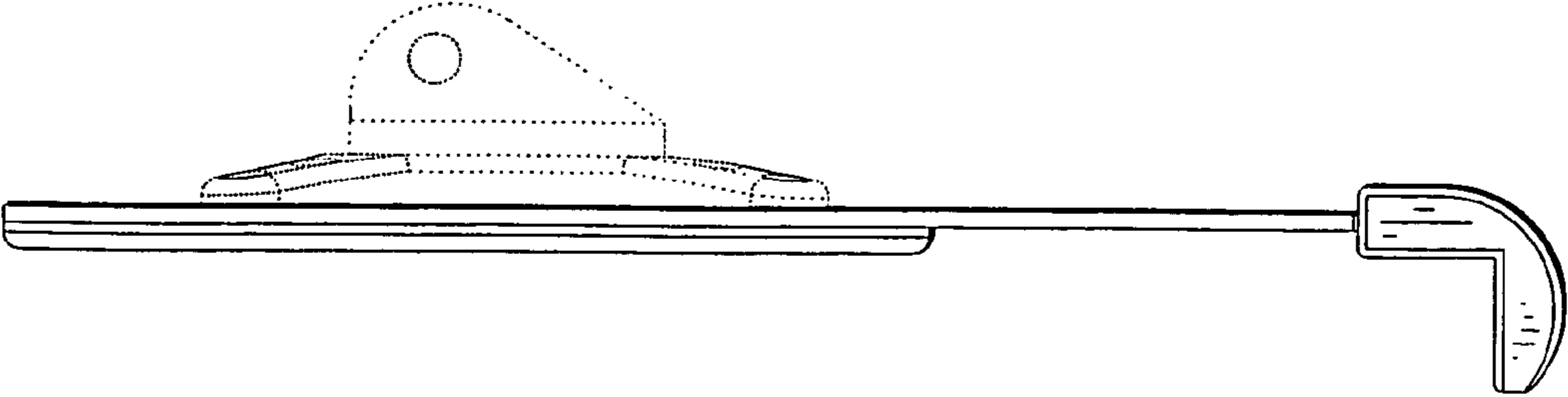


FIG. 3

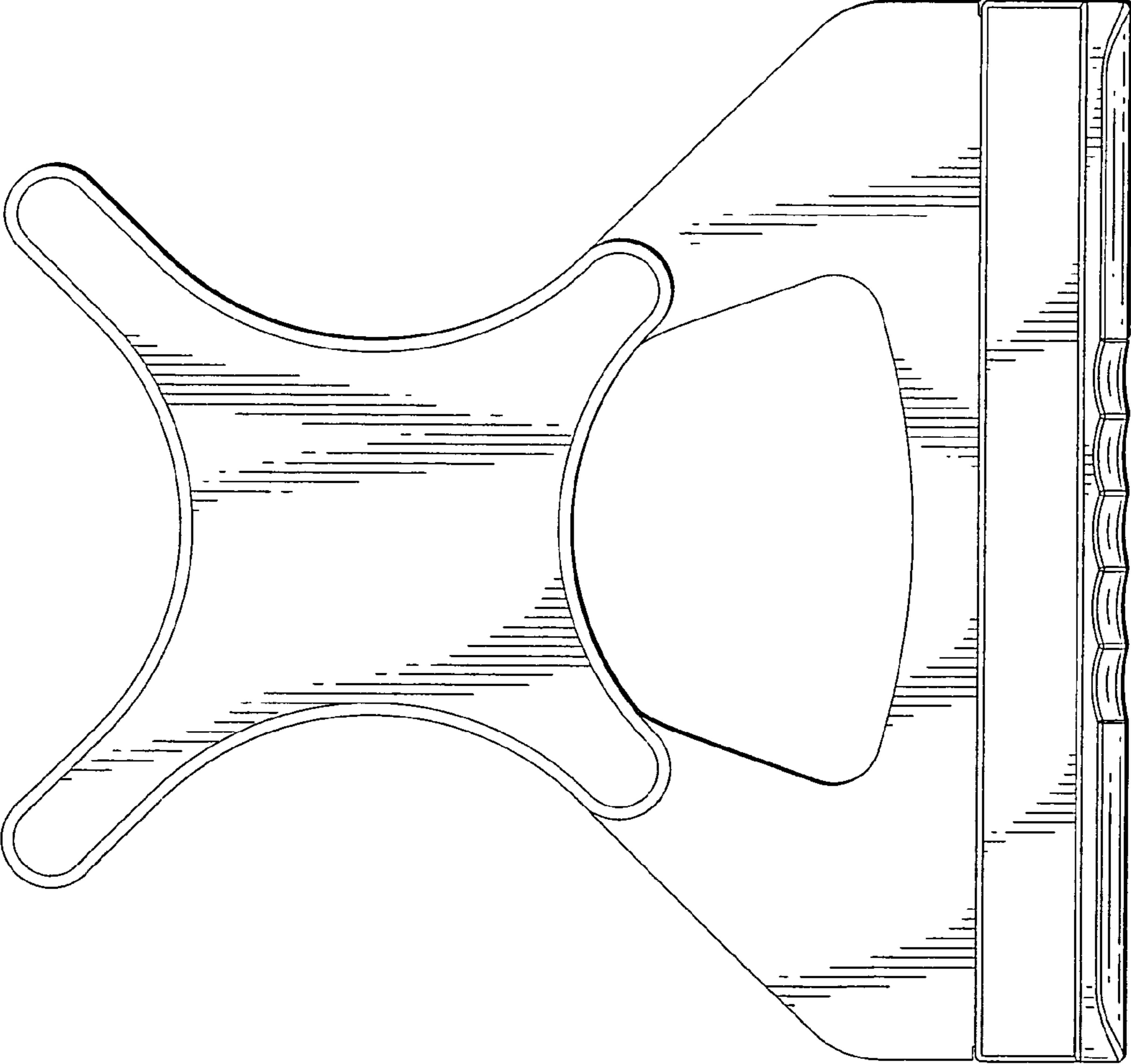


FIG. 5

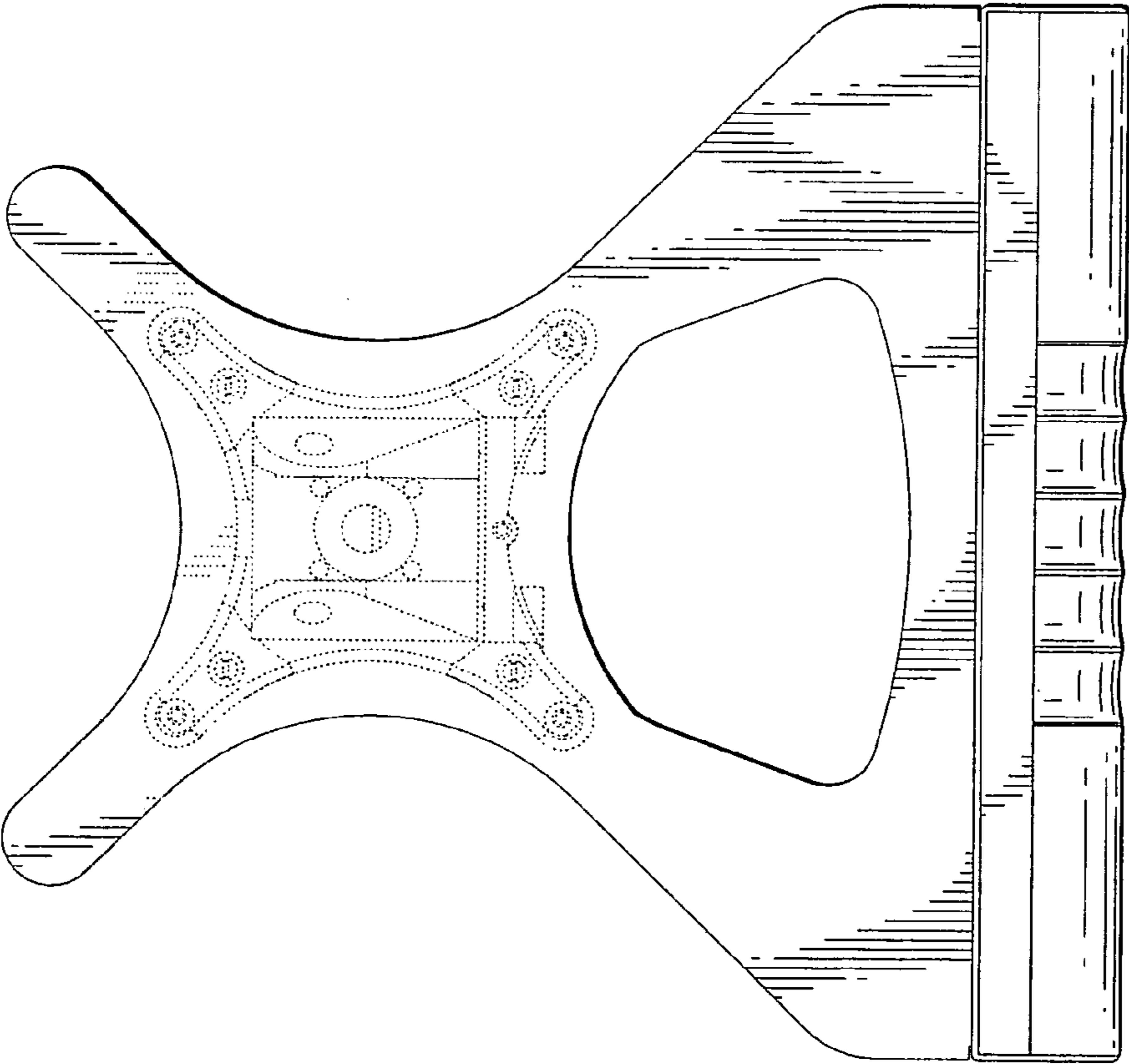


FIG. 6

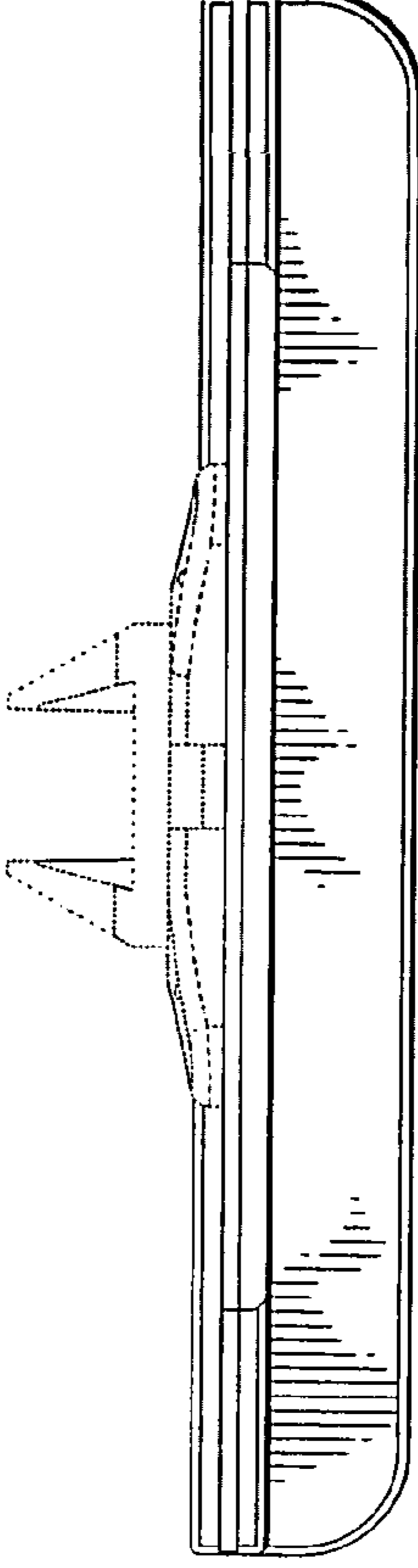


FIG. 7

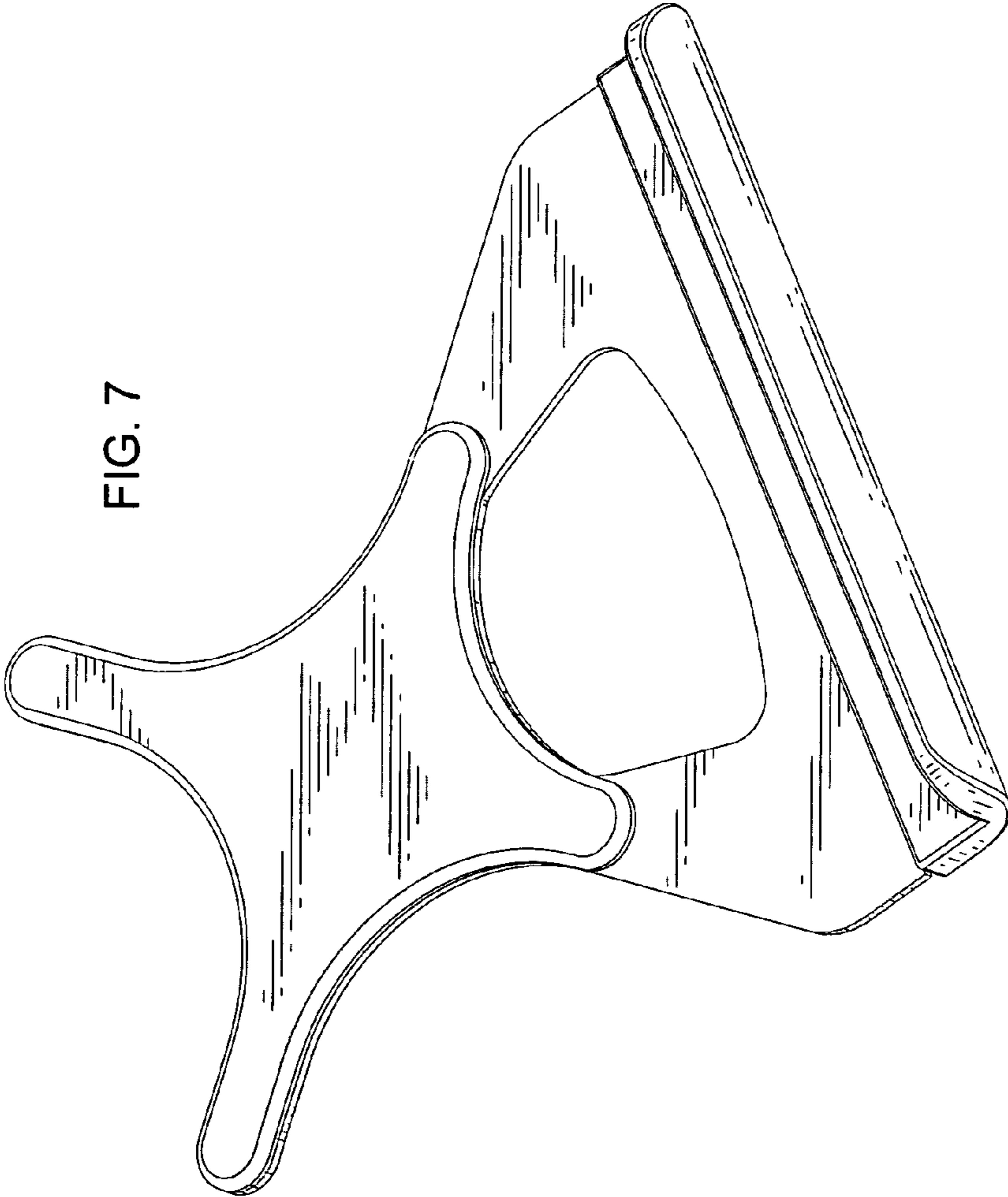


FIG. 8

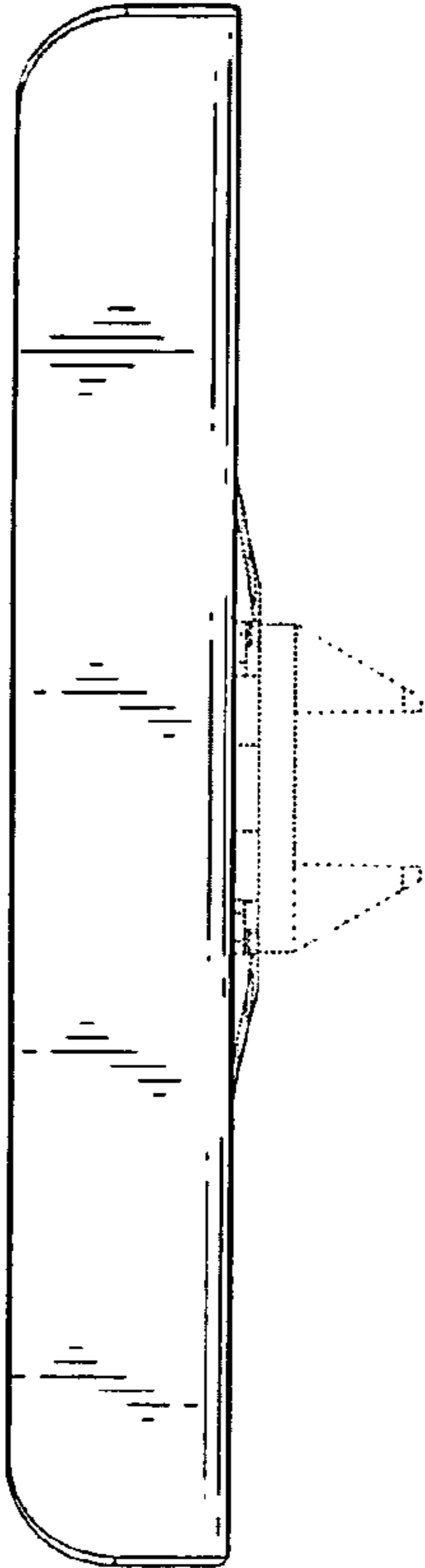


FIG. 10

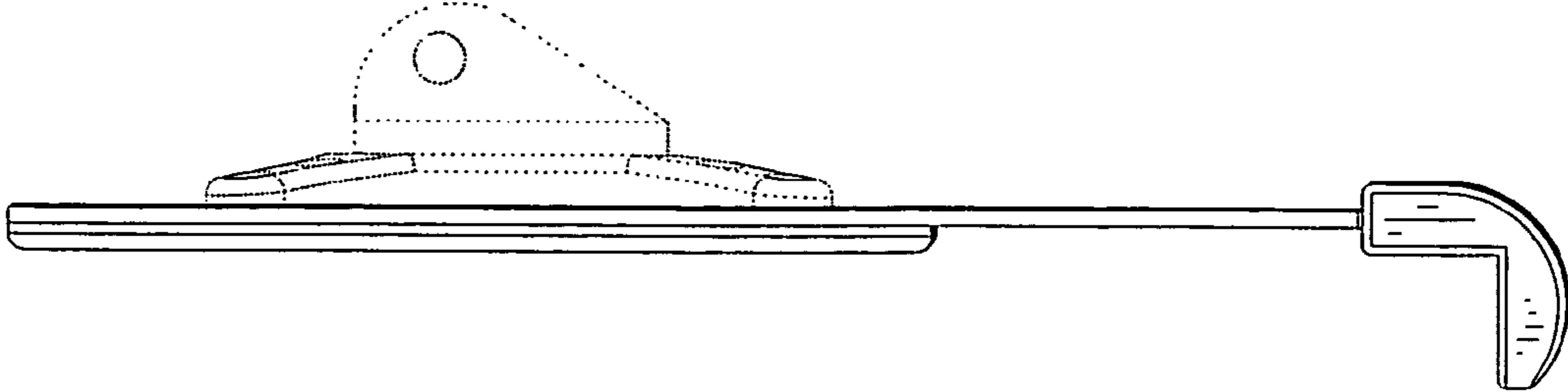


FIG. 9

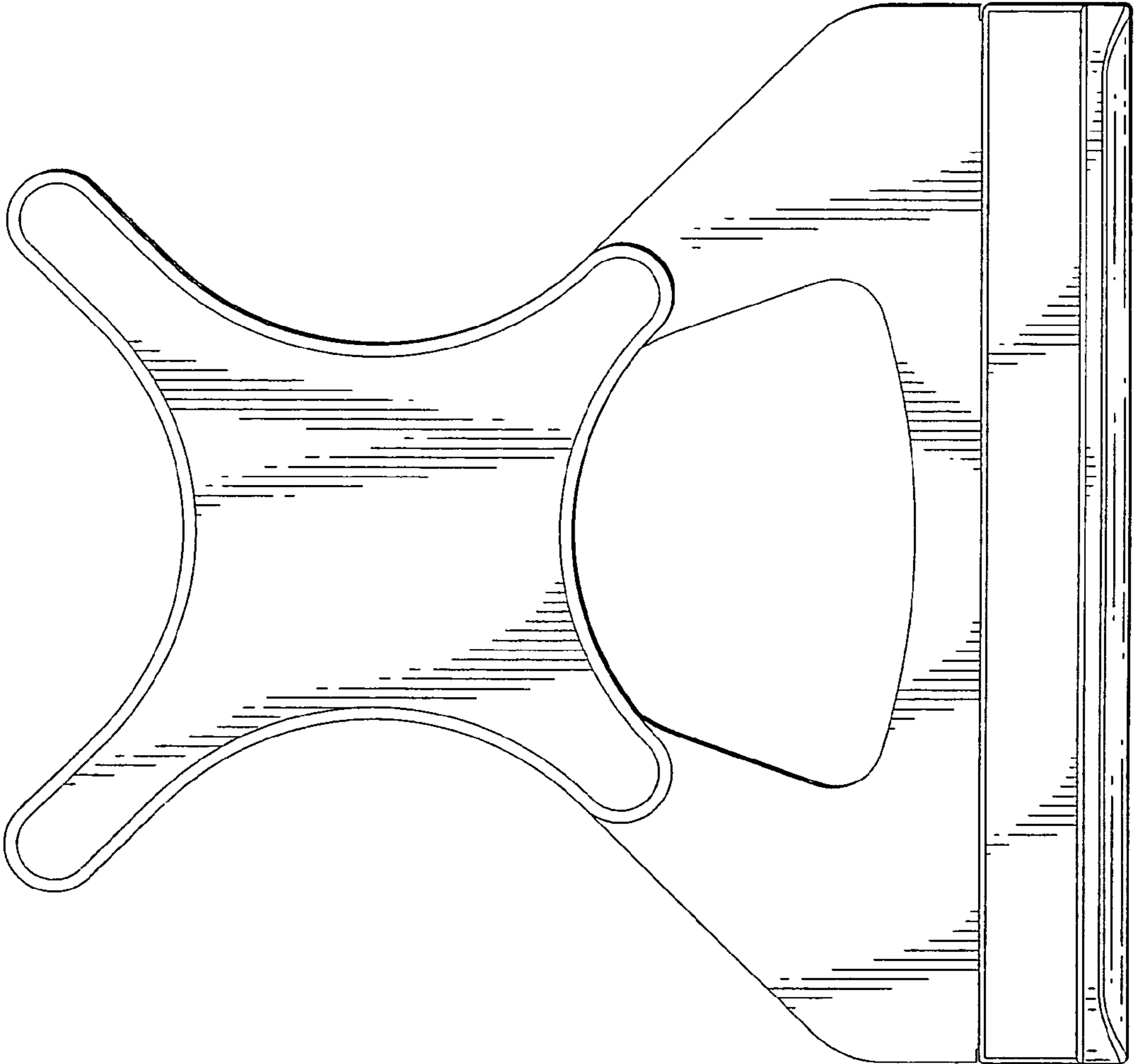


FIG. 11

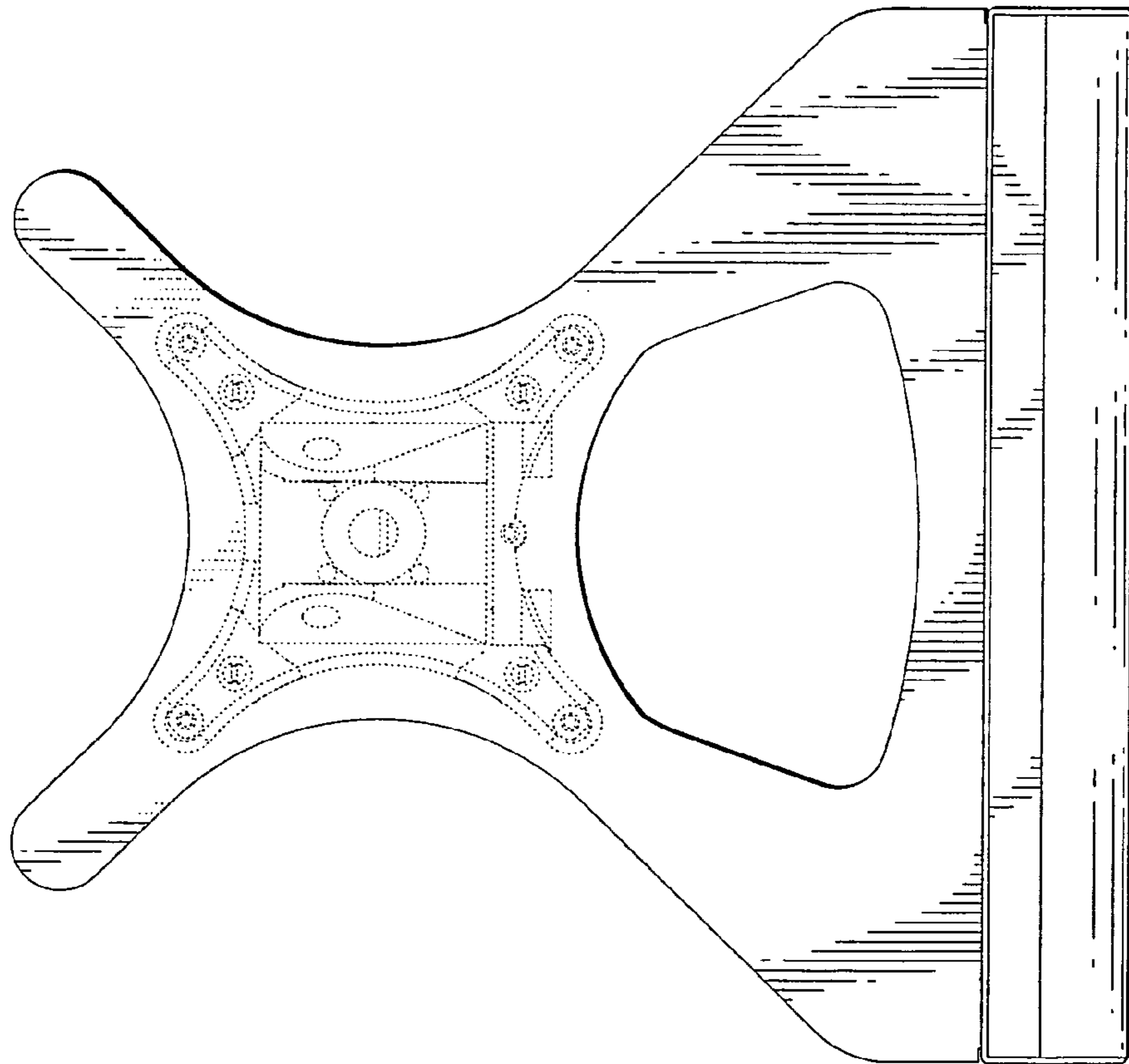
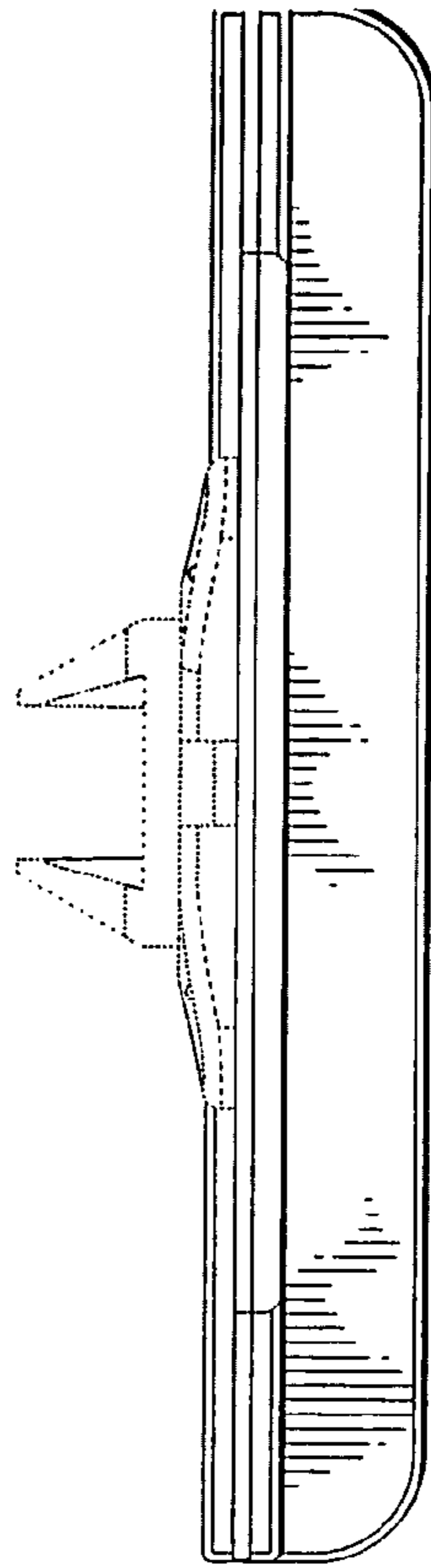


FIG. 12



UNITED STATES PATENT AND TRADEMARK OFFICE
CERTIFICATE OF CORRECTION

PATENT NO. : Des. 558,771 S
APPLICATION NO. : 29/261219
DATED : January 1, 2008
INVENTOR(S) : Bradley A. Derry and Christopher Eric Grim

Page 1 of 1

It is certified that error appears in the above-identified patent and that said Letters Patent is hereby corrected as shown below:

On the title Description, FIG. 4, Line 11, after "of the", change "left" to -- right --.

On the title Description, FIG. 10, Line 28, after "of the", change "left" to -- right --.

Signed and Sealed this

Thirtieth Day of December, 2008

A handwritten signature in black ink that reads "Jon W. Dudas". The signature is written in a cursive style with a large, stylized initial "J".

JON W. DUDAS

Director of the United States Patent and Trademark Office