



US00D558767S

(12) **United States Design Patent**
Solland

(10) **Patent No.:** **US D558,767 S**
(45) **Date of Patent:** **** Jan. 1, 2008**

(54) **CONTROLLER FOR PLAYBACK DEVICE AND DISPLAY**

(75) Inventor: **Kurt Solland**, Westlake Village, CA (US)

(73) Assignee: **Harman International Industries, Incorporated.**, Northridge, CA (US)

(**) Term: **14 Years**

(21) Appl. No.: **29/233,684**

(22) Filed: **Jul. 8, 2005**

(51) **LOC (8) Cl.** **14-02**

(52) **U.S. Cl.** **D14/412; D14/400**

(58) **Field of Classification Search** D14/356, D14/388, 399, 400, 417, 432, 454-457, 412-416; D16/203; D21/324, 333; 463/1, 30, 36-38, 463/46-47; 273/148 B, 148 R; 345/156-161, 345/905

See application file for complete search history.

(56) **References Cited**

U.S. PATENT DOCUMENTS

D106,677 S	*	10/1937	Schlage	D8/312
D195,514 S	*	6/1963	Erickson	D14/209
D310,874 S	*	9/1990	Utley, Jr.	D23/376
D343,591 S	*	1/1994	Lovato	D11/87
D394,274 S	*	5/1998	Suzuki	D16/202
D418,388 S	*	1/2000	O'Neil	D8/312
D433,432 S	*	11/2000	Prather et al.	D16/202
D475,385 S	*	6/2003	Christianson	D16/202
D487,450 S	*	3/2004	Hakoda	D14/218
D501,848 S	*	2/2005	Uehara et al.	D14/240
D544,547 S	*	6/2007	Solland	D21/333

OTHER PUBLICATIONS

Harman International Industries, Inc., www.harmanardon.com, Aug. 28, 2007, 2pgs.*

* cited by examiner

Primary Examiner—Stella M. Reid

Assistant Examiner—Keli' L. Acker

(74) *Attorney, Agent, or Firm*—Plumsea Law Group, LLC

(57) **CLAIM**

The ornamental design for a controller for playback device and display, as shown and described.

DESCRIPTION

FIG. 1 is a top perspective view of a controller for playback device and display showing a first embodiment of my new design;

FIG. 2 is a rear elevational view thereof;

FIG. 3 is a top plan view thereof;

FIG. 4 is a side elevational view, the opposite side elevational view being a mirror image thereof;

FIG. 5 is a perspective view showing a second embodiment of my new design with the top portion in an angled configuration.

FIG. 6 is a front elevational view thereof;

FIG. 7 is a top plan view thereof;

FIG. 8 is a side elevational view, the opposite side elevational view being a mirror image thereof;

FIG. 9 is a perspective view showing a third embodiment of my new design with the top portion in an angled configuration.

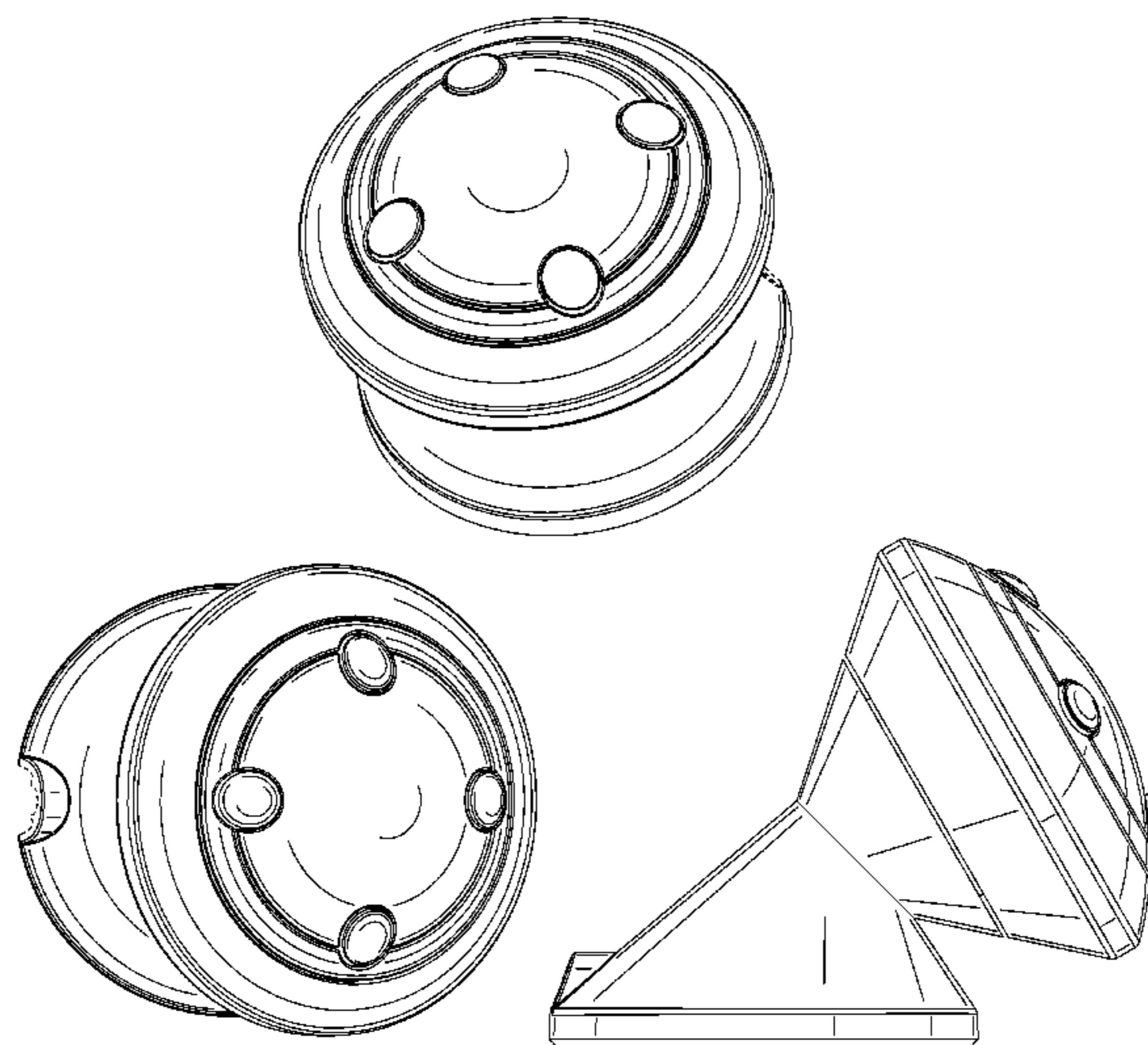
FIG. 10 is a front elevational view thereof;

FIG. 11 is a top plan view thereof; and,

FIG. 12 is a side elevational view, the opposite side elevational view being a mirror image thereof.

The broken line showing of the connection port is included for the purpose of illustrating environmental structure and forms no part of the claimed design.

1 Claim, 12 Drawing Sheets



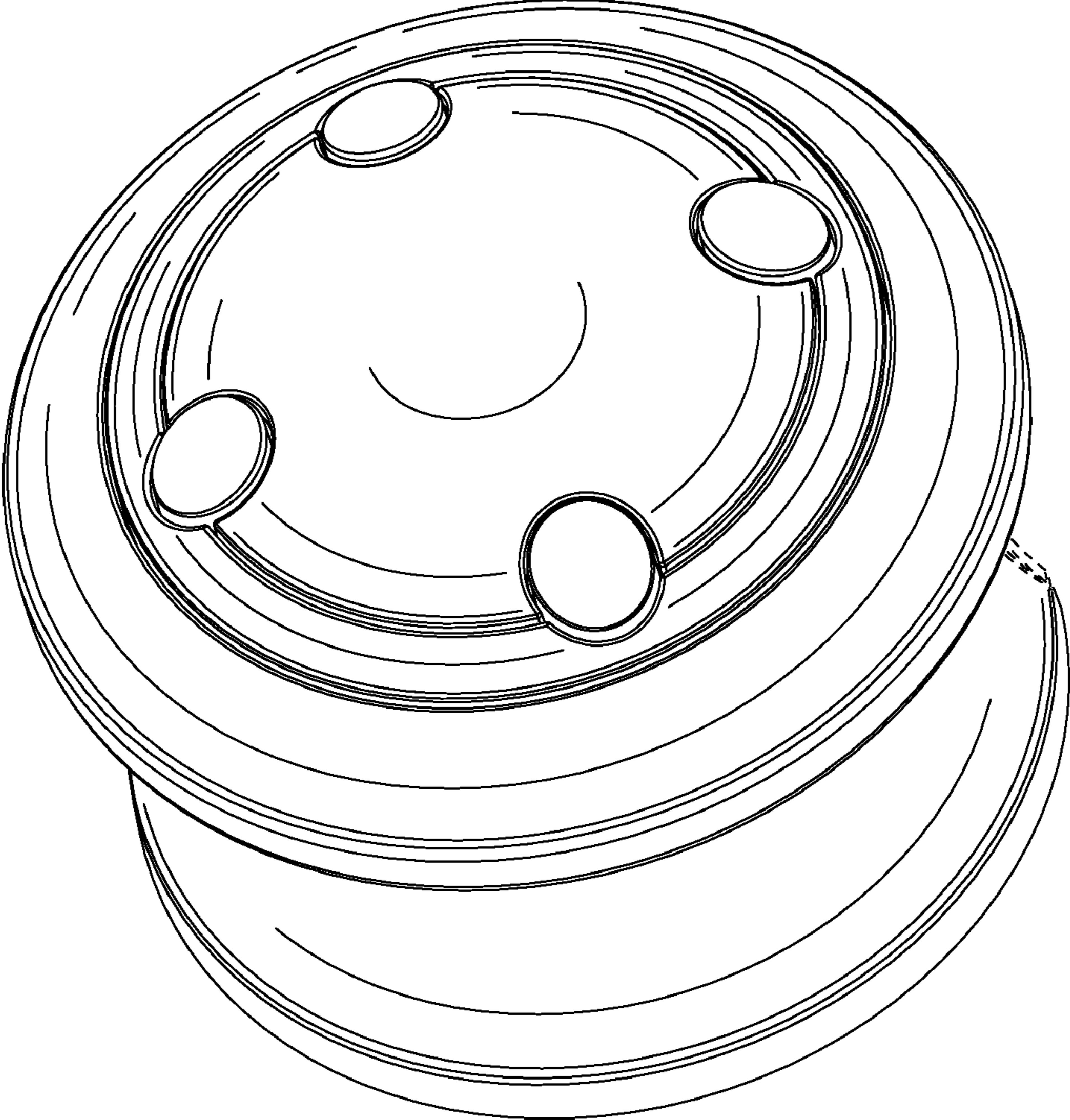


FIG. 1

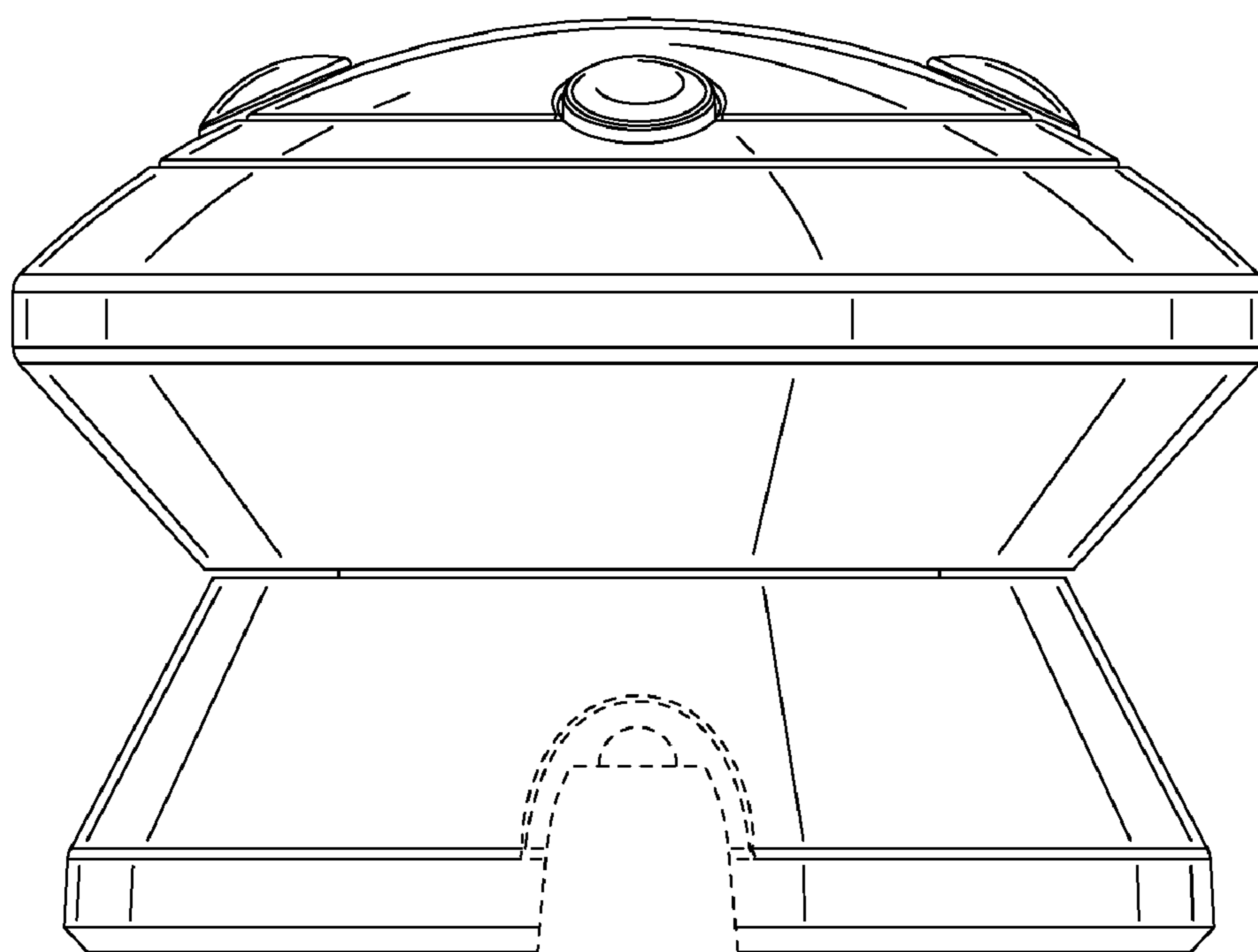


FIG. 2

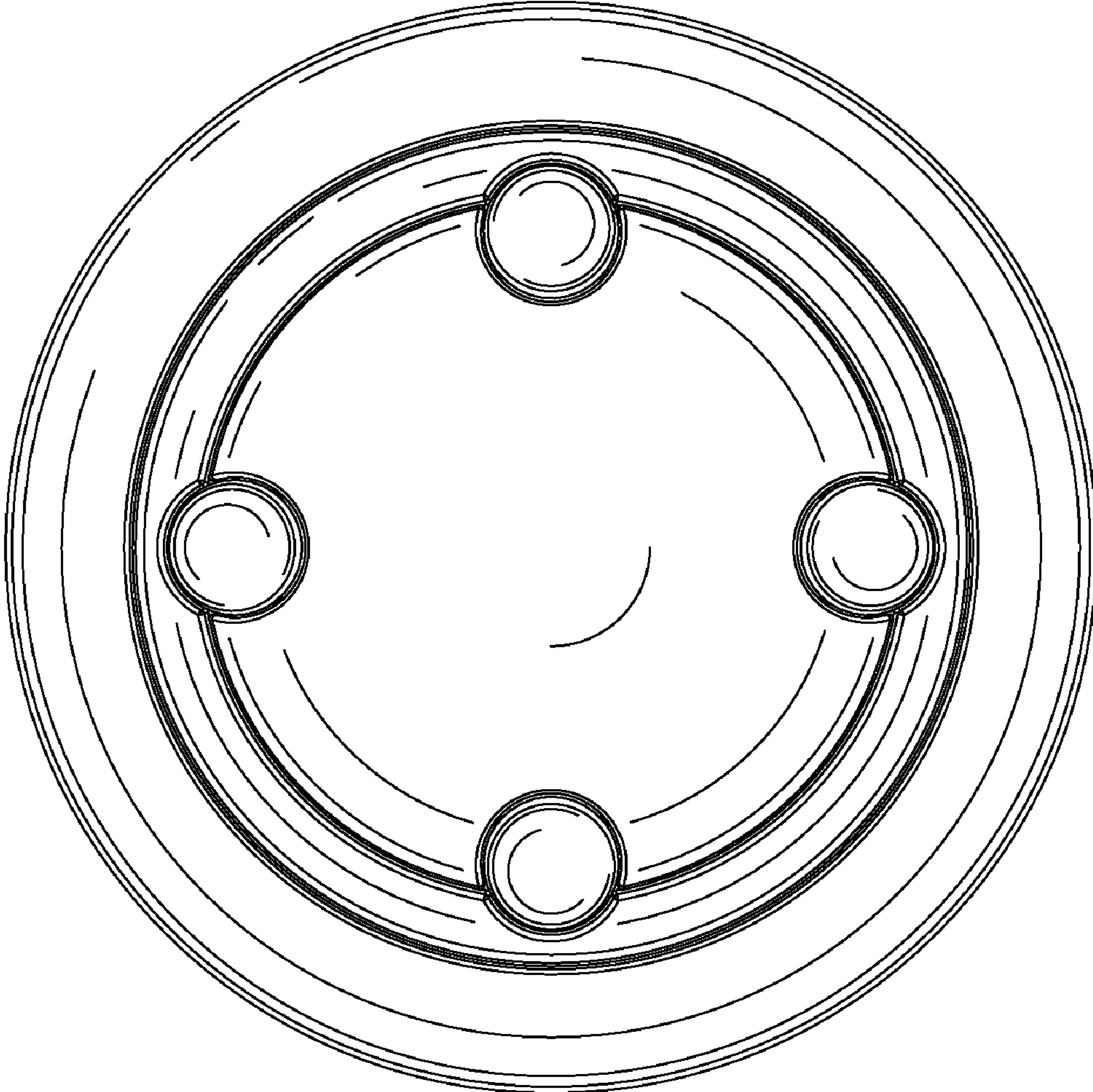


FIG. 3

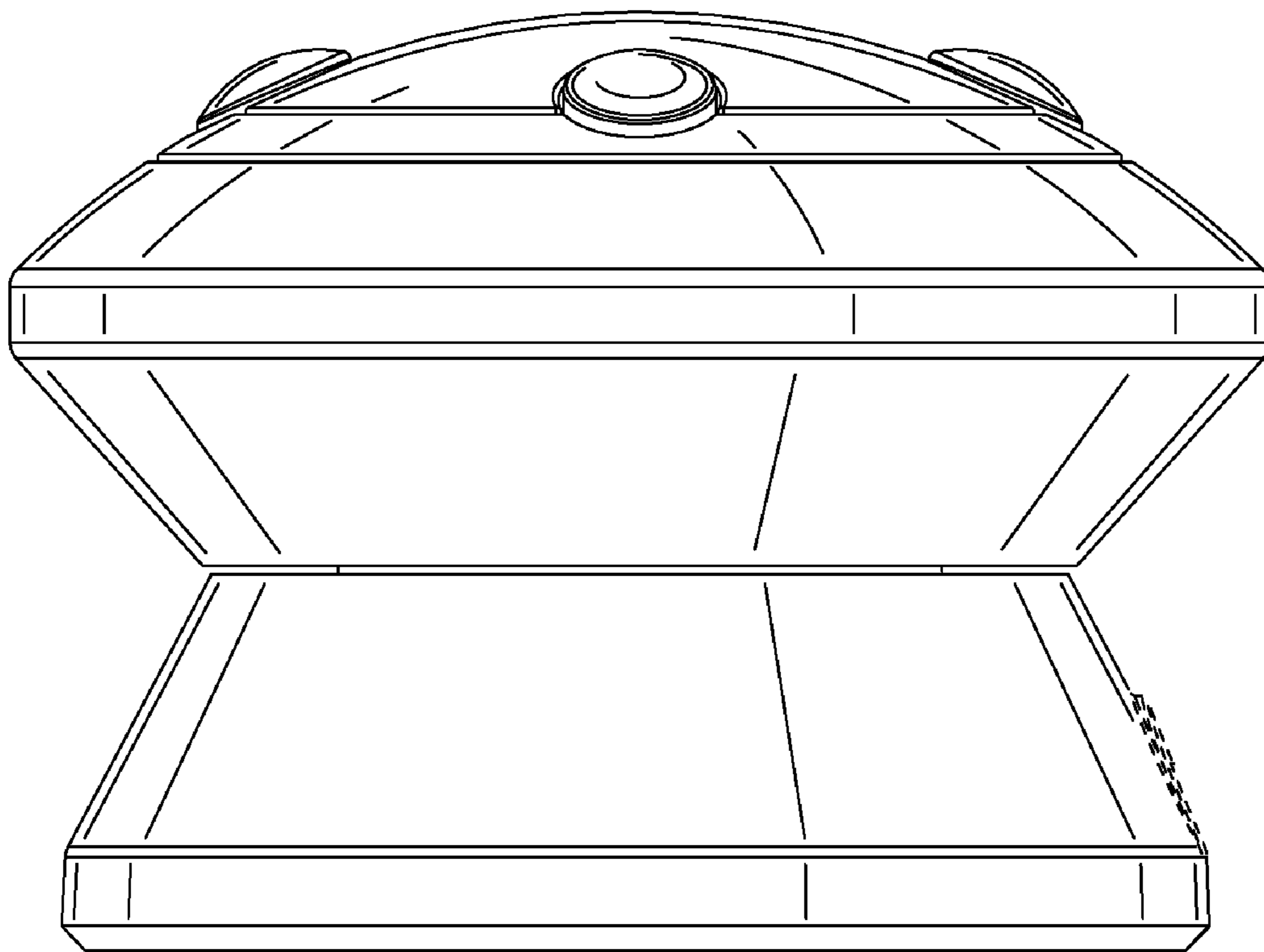


FIG. 4

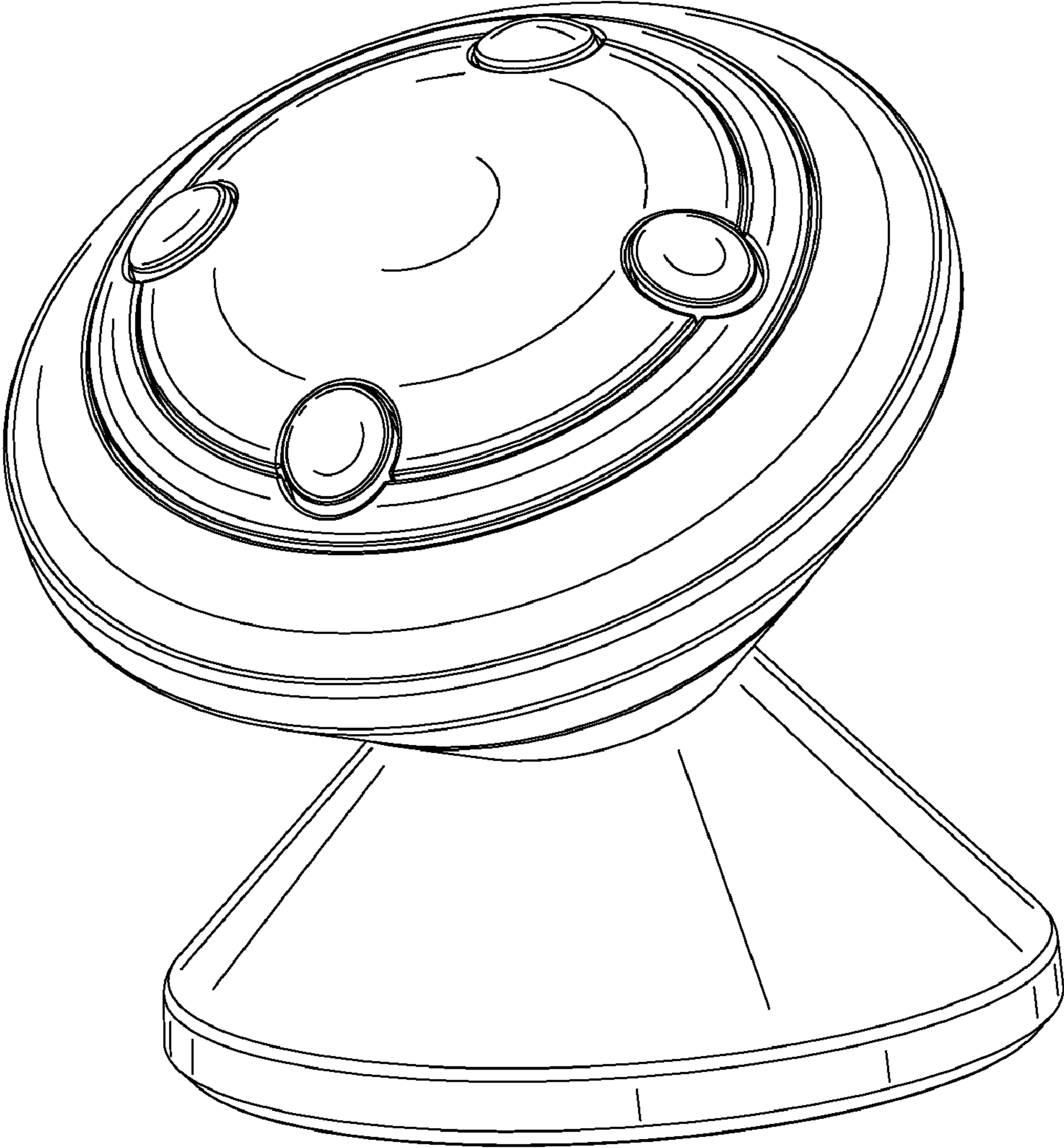


FIG. 5

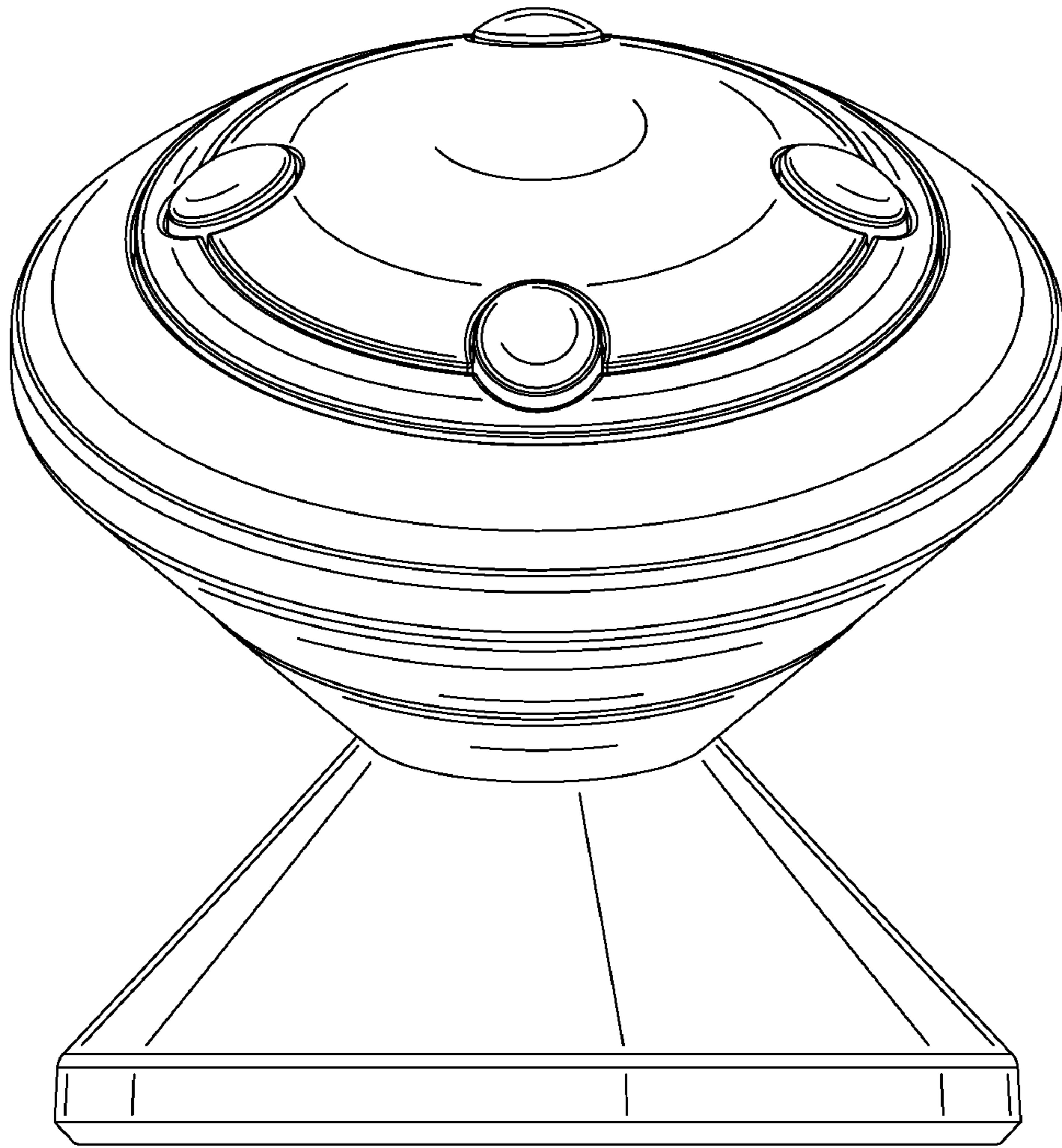


FIG. 6

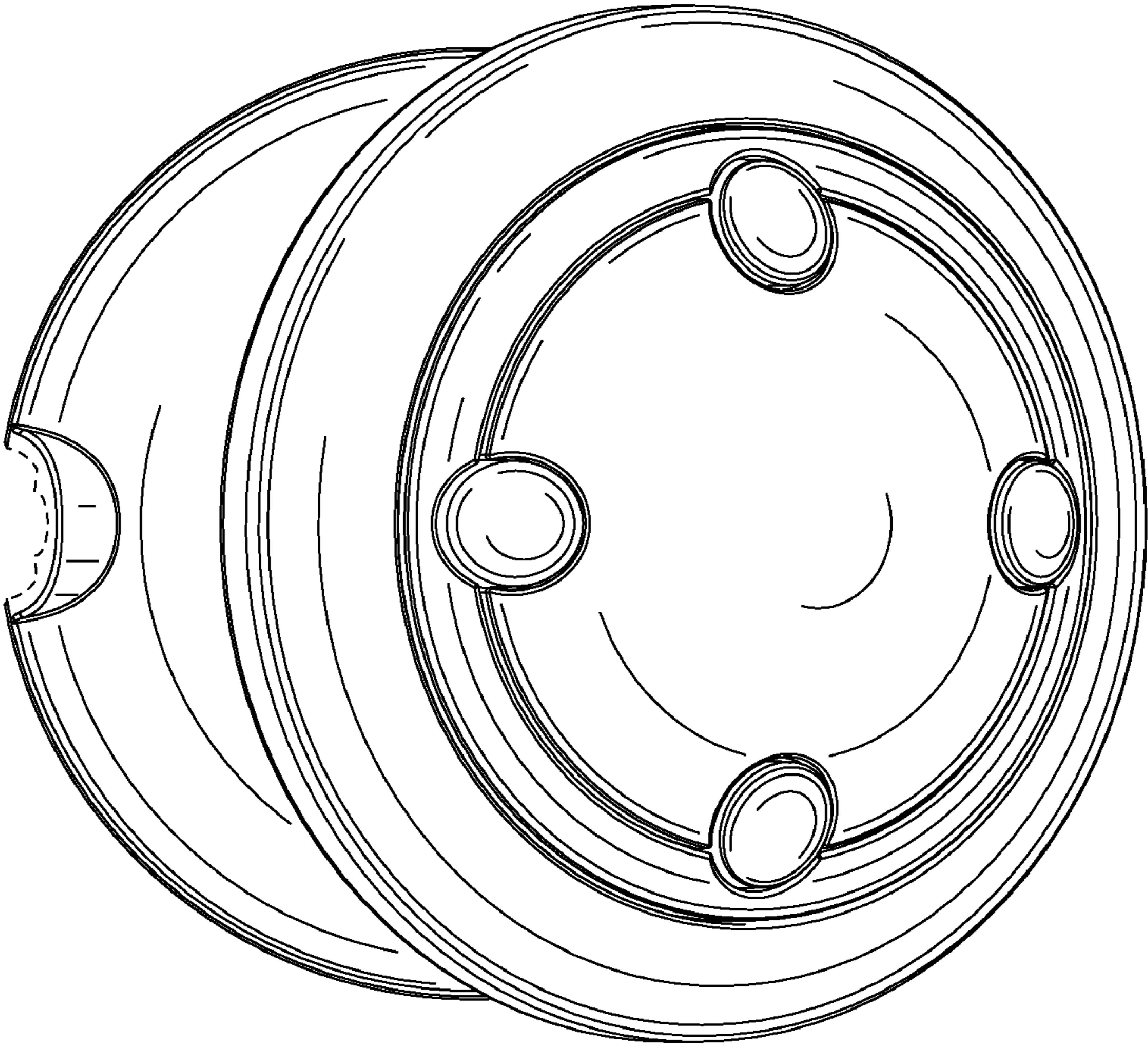


FIG. 7

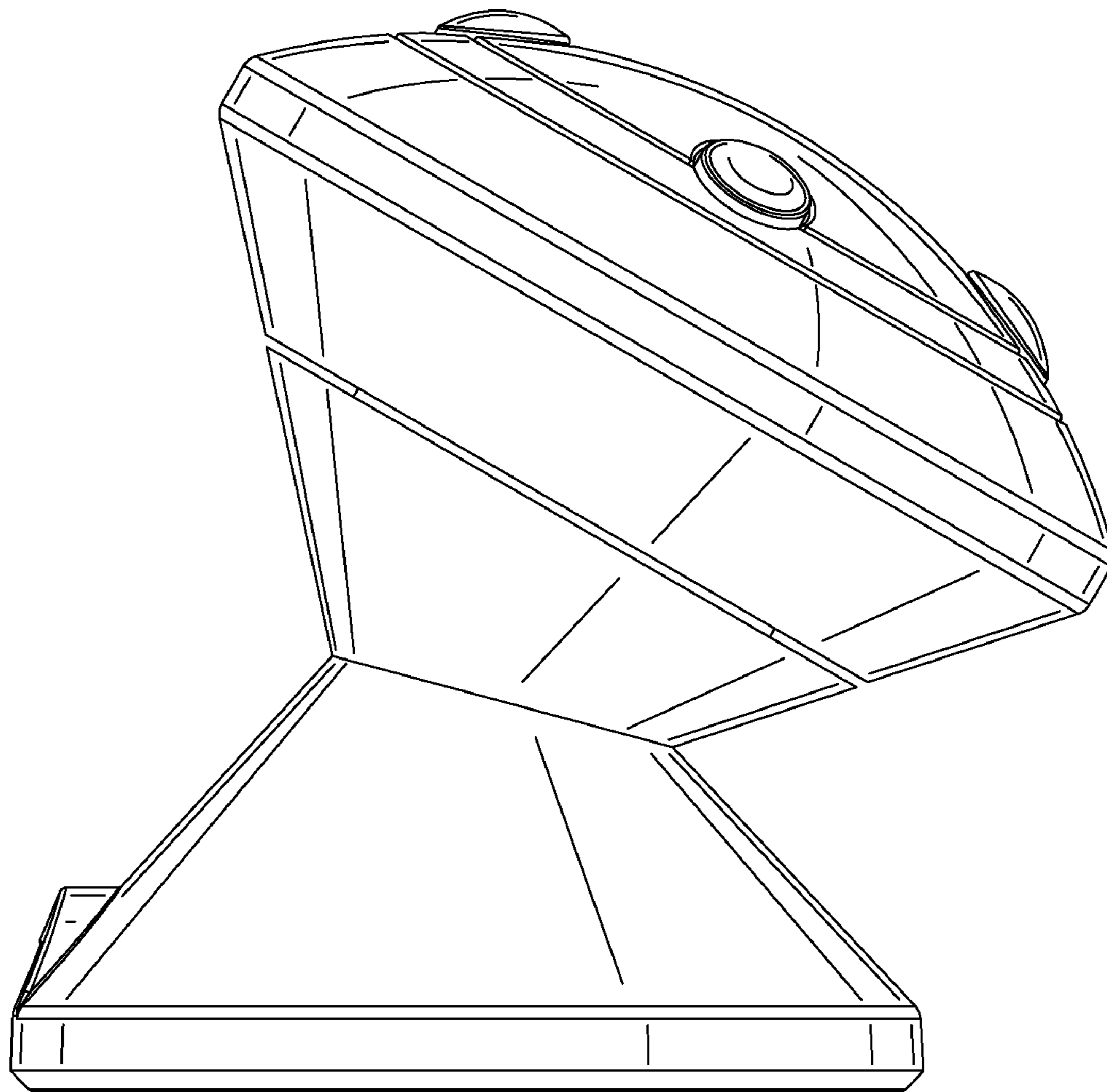


FIG. 8

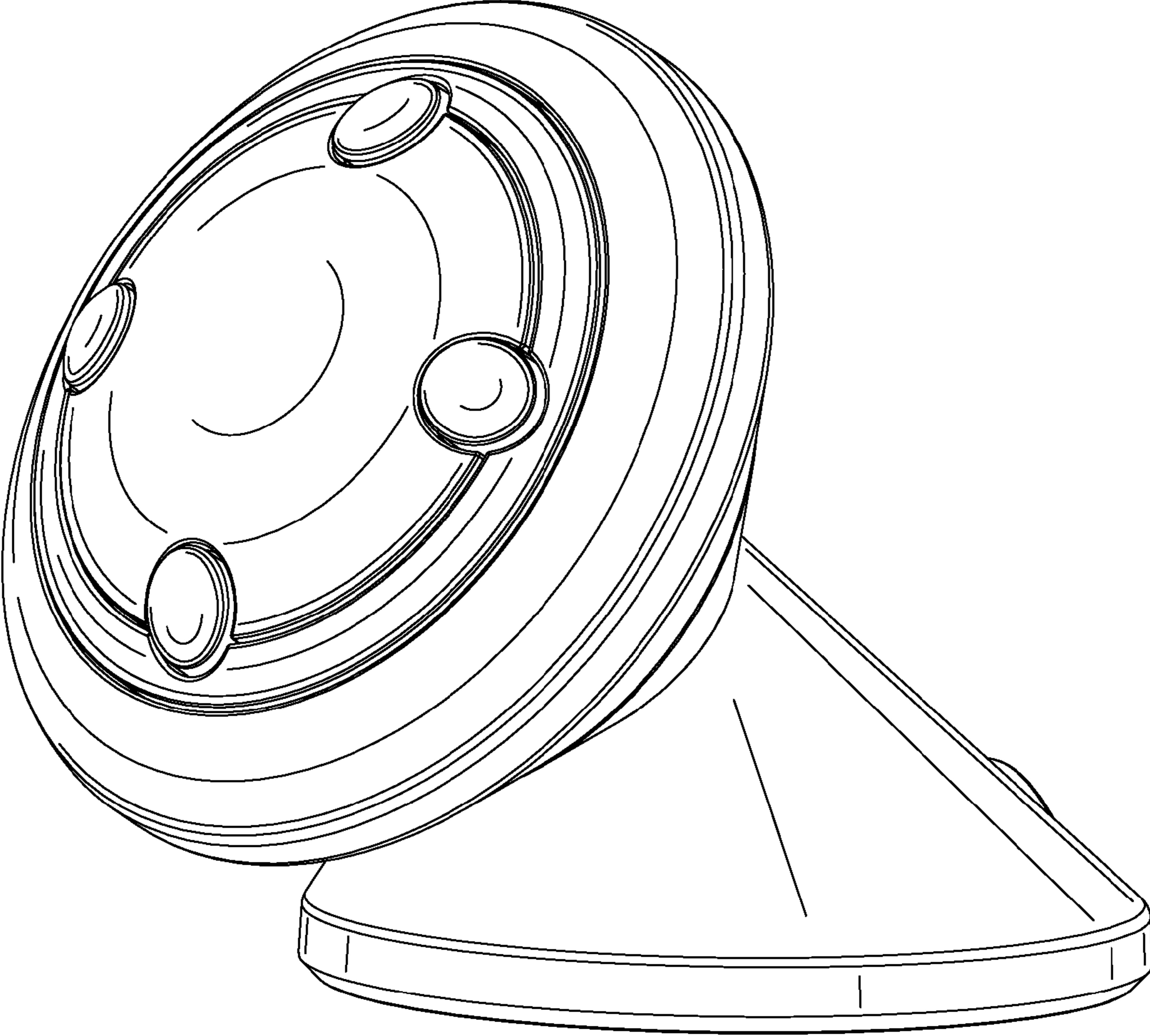


FIG. 9

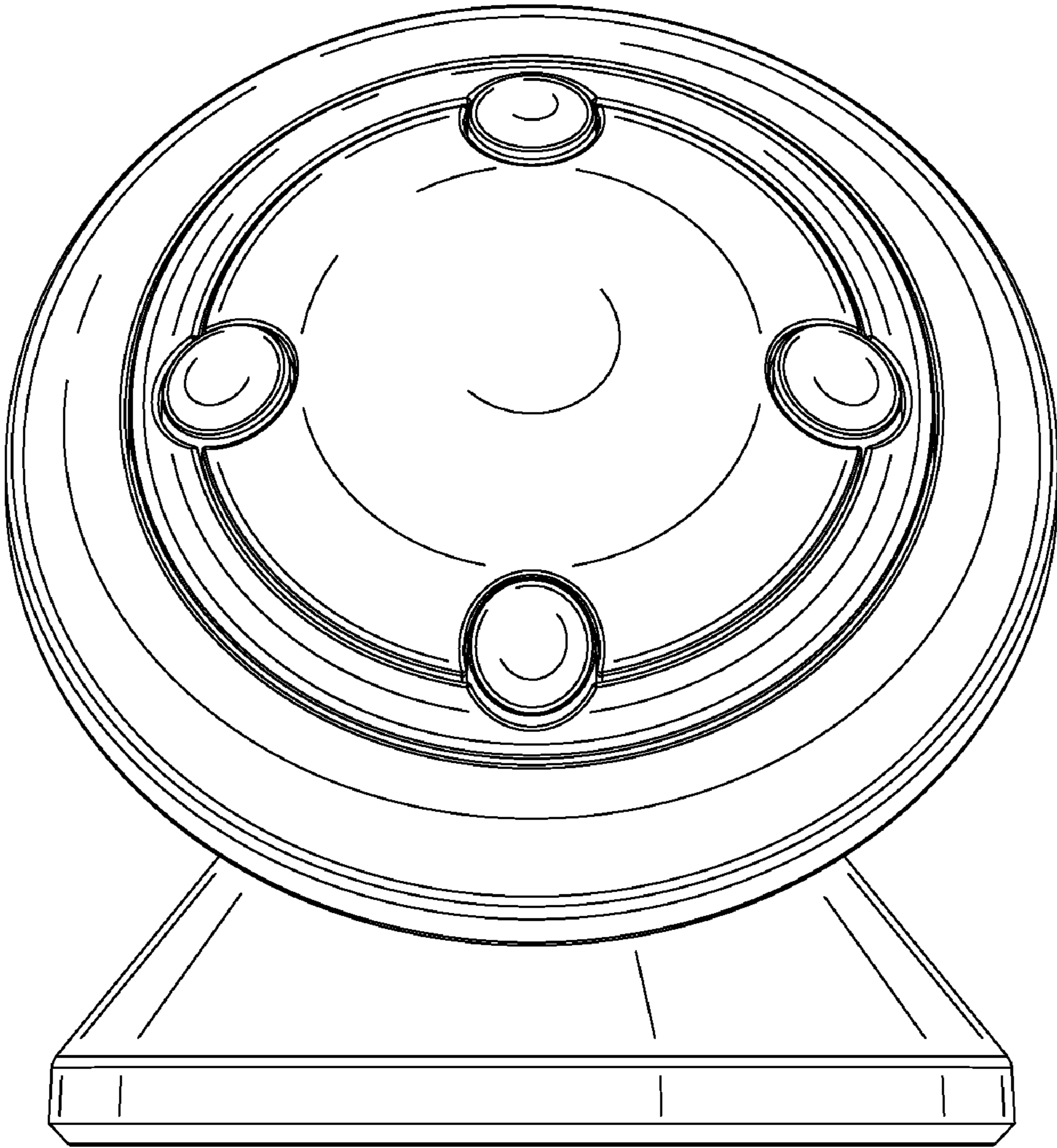


FIG. 10

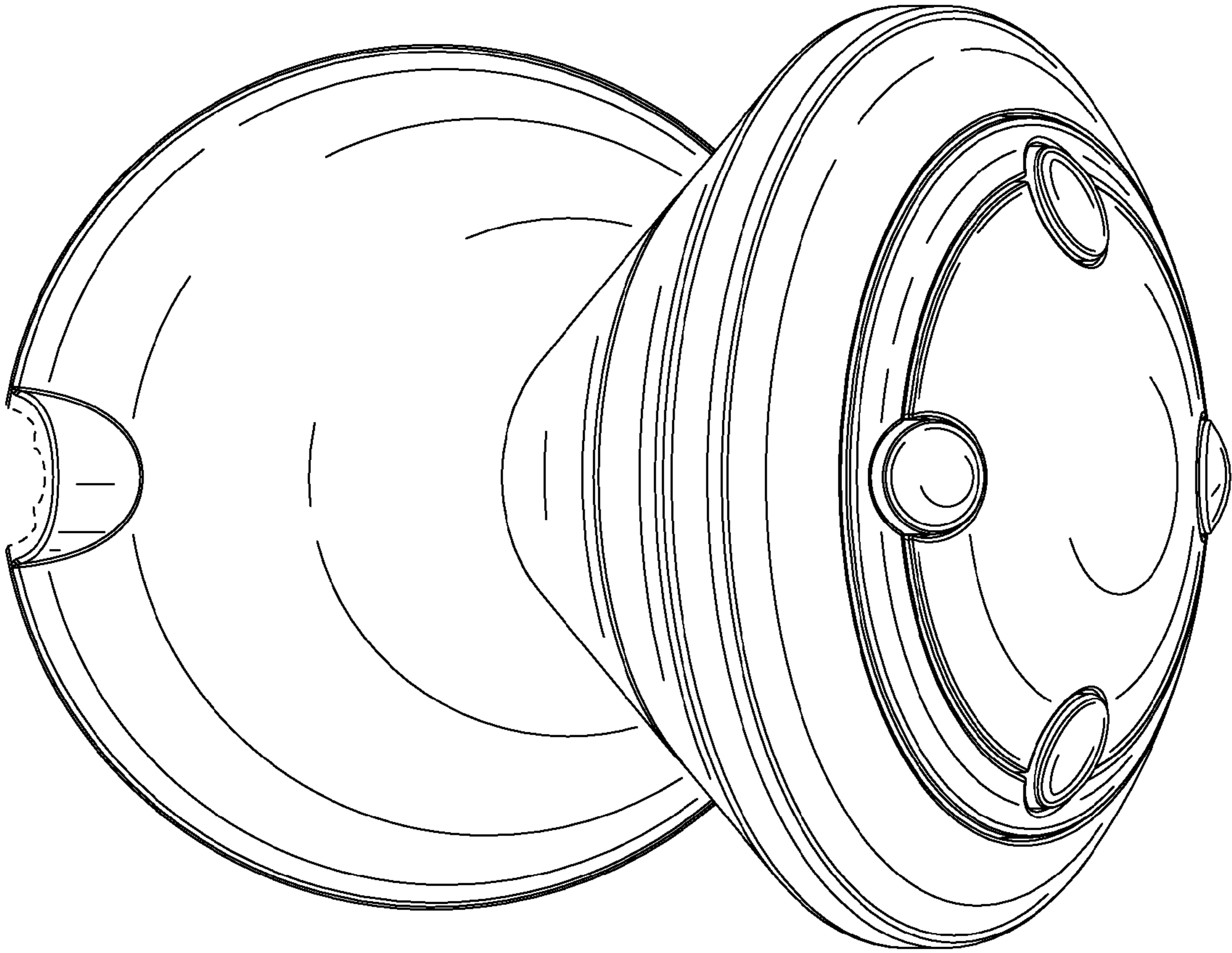


FIG. 11

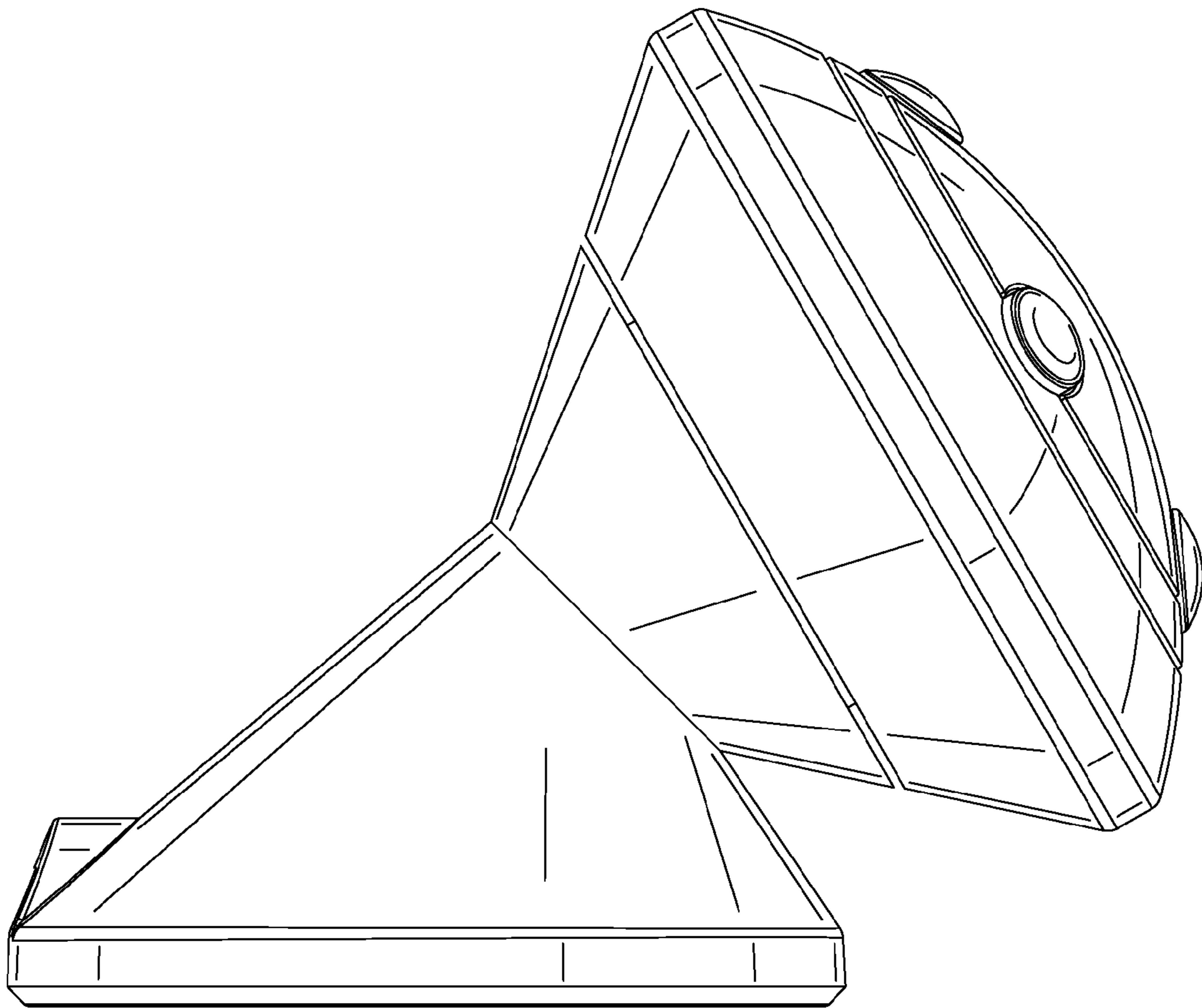


FIG. 12