



US00D558765S

(12) **United States Design Patent** (10) **Patent No.:** **US D558,765 S**
Fitler et al. (45) **Date of Patent:** **** Jan. 1, 2008**

(54) **CARD READER MOUNTING BRACKET**

(75) Inventors: **Joe Fitler**, North Canton, OH (US);
Rick Dunlap, North Canton, OH (US)

(73) Assignee: **Diebold Self-Service Systems division of Diebold, Incorporated**, North Canton, OH (US)

(**) Term: **14 Years**

(21) Appl. No.: **29/273,514**

(22) Filed: **Mar. 7, 2007**

(51) **LOC (8) Cl.** **14-02**

(52) **U.S. Cl.** **D14/385; D14/439**

(58) **Field of Classification Search** D14/240,
D14/356-358, 363, 365, 367-370, 383-386,
D14/389, 432, 434, 441, 442, 341, 344, 346,
D14/347, 387, 433, 125; D18/4.1-4.6; D13/162,
D13/164, 177, 184; 361/684, 686, 728, 747;
235/382, 382.5, 476, 482, 483; D99/29,
D99/43, 99; D8/349, 354

See application file for complete search history.

(56) **References Cited**

U.S. PATENT DOCUMENTS

D232,126 S * 7/1974 Conway et al. D14/387
D252,683 S * 8/1979 Sheehan et al. D14/385
4,277,689 A * 7/1981 Thomas et al. 235/482
D264,467 S * 5/1982 Fischer D14/387
4,593,328 A * 6/1986 Baus, Jr. 235/482
D288,899 S * 3/1987 Floyd et al. D8/330

D289,099 S * 3/1987 Golland D99/99
D293,792 S * 1/1988 Watson D14/387
D306,015 S * 2/1990 Pulio et al. D14/386
5,104,073 A * 4/1992 Kovach et al. 235/482
5,331,139 A * 7/1994 Lee 235/449
5,345,090 A * 9/1994 Hludzinski 235/482
5,714,747 A * 2/1998 West et al. 235/493
5,923,019 A * 7/1999 Bedell et al. 235/449
D467,584 S * 12/2002 Sabella et al. D14/385
D483,371 S * 12/2003 Johnston D14/385

* cited by examiner

Primary Examiner—Cathron Brooks

Assistant Examiner—Deanna Fluegeman

(74) *Attorney, Agent, or Firm*—Ralph E. Jocke; Walker & Jocke

(57) **CLAIM**

The ornamental design for a card reader mounting bracket, as shown and described.

DESCRIPTION

FIG. 1 is a top perspective view of a card reader mounting bracket showing our new design.

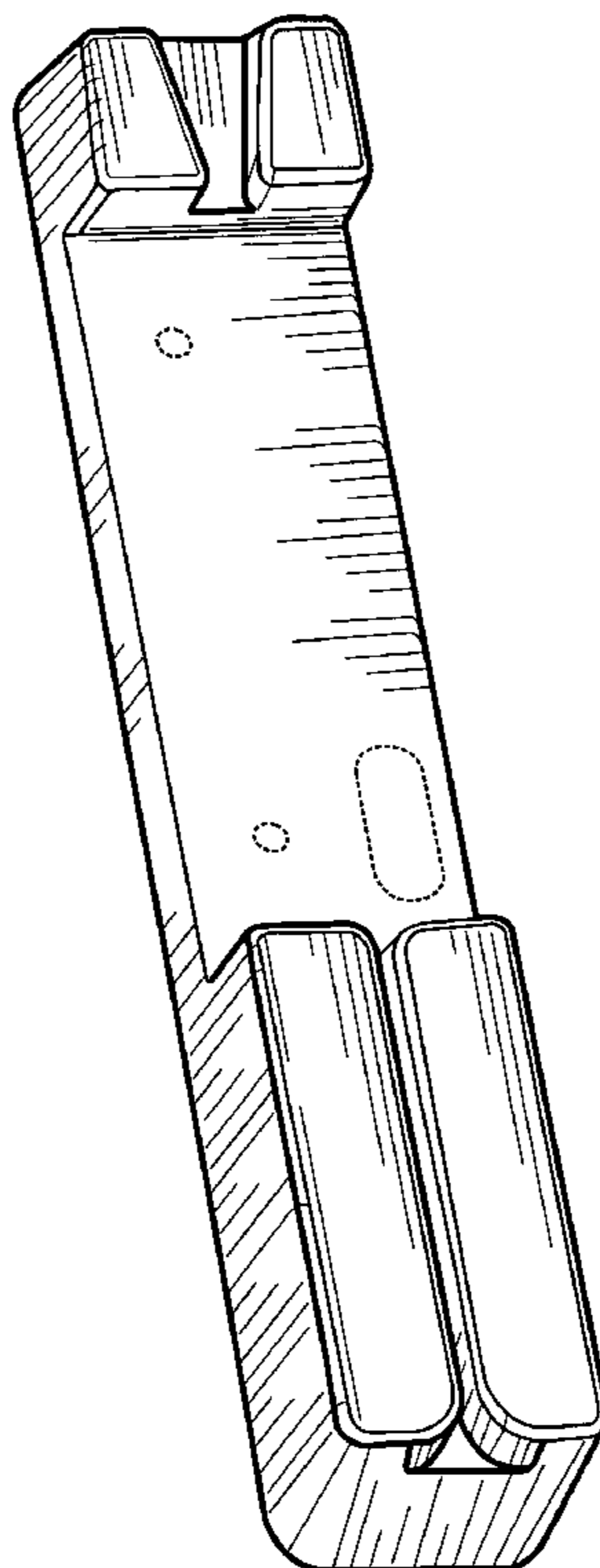
FIG. 2 is a right elevation thereof.

FIG. 3 is a left side elevation thereof; and,

FIG. 4 is a front elevation thereof.

The broken lines in the drawings form no part of the claimed design. Surfaces not shown form no part of the claimed design.

1 Claim, 2 Drawing Sheets



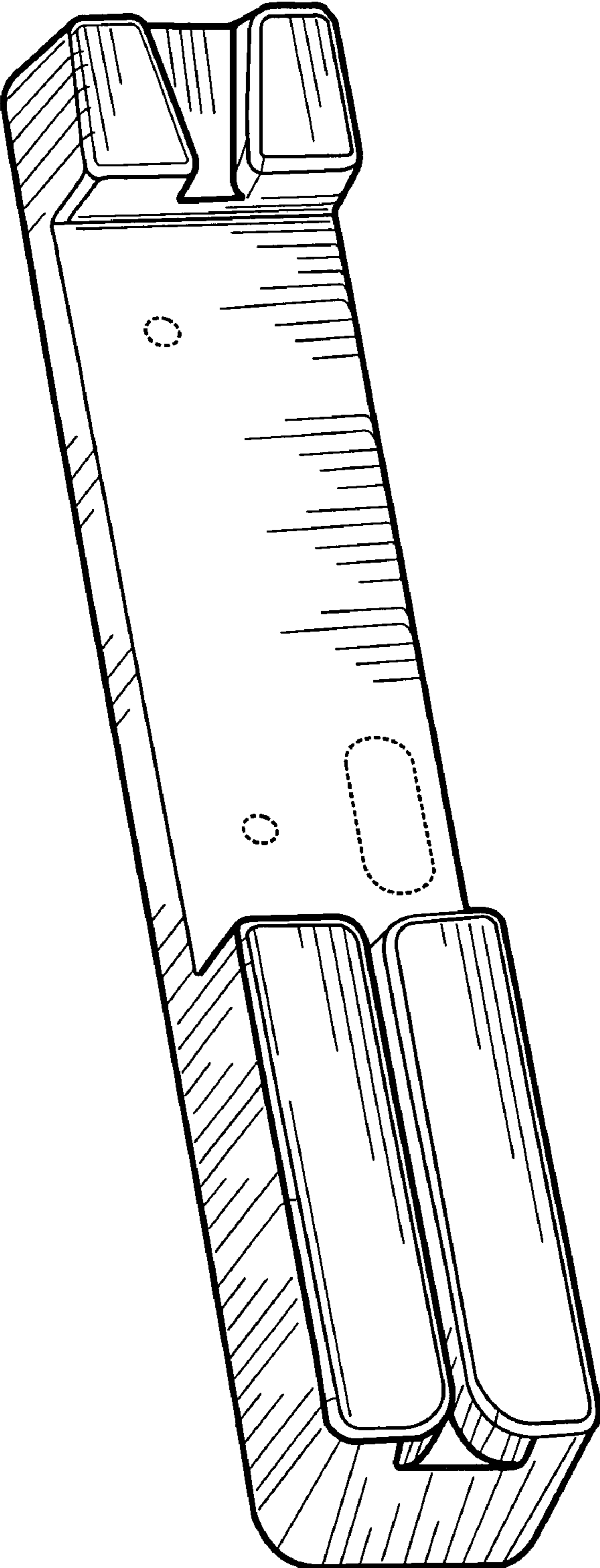


Fig. 1

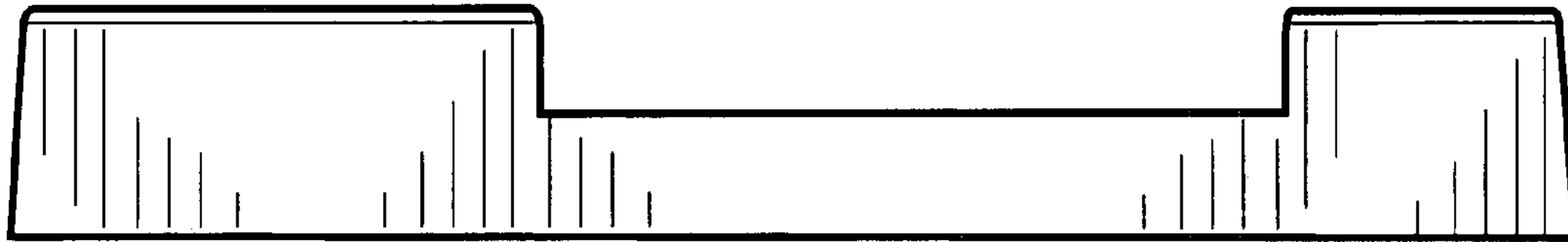


Fig. 2

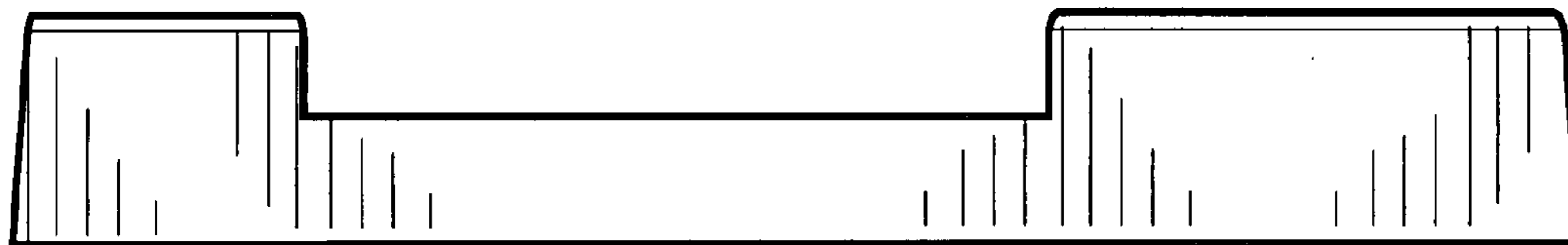


Fig. 3

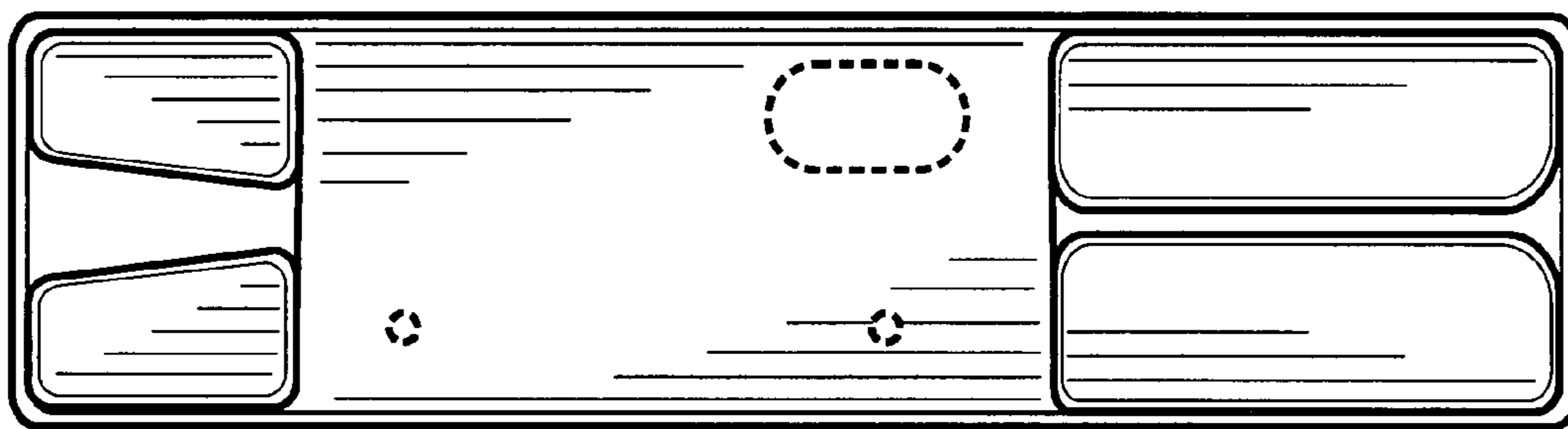


Fig. 4