



US00D558764S

(12) **United States Design Patent**  
**Kuo et al.**

(10) **Patent No.:** **US D558,764 S**

(45) **Date of Patent:** **\*\* Jan. 1, 2008**

(54) **WIRELESS SIGNAL TRANSRECEIVER WITH ROTATABLE ANTENNA**

(75) Inventors: **Yien-Chung Kuo**, Taichung (TW);  
**Cheng-Chen Lee**, Kaohsiung (TW);  
**Sheng-Yuan Wang**, Kaohsiung (TW)

(73) Assignee: **Mitac Technology Corp.**, Hsin-Chu Hsien (TW)

(\*\*) Term: **14 Years**

(21) Appl. No.: **29/252,453**

(22) Filed: **Jan. 24, 2006**

(30) **Foreign Application Priority Data**

Dec. 9, 2005 (TW) ..... 94307585

(51) **LOC (8) Cl.** ..... **14-02**

(52) **U.S. Cl.** ..... **D14/358; D14/230**

(58) **Field of Classification Search** ..... D14/137,  
D14/363, 230, 240-2, 432, 299, 155, 356-8,  
D14/496, 348; D13/184; D10/65, 75, 78;  
235/383; 455/553.1, 232.1, 333, 67.15, 78,  
455/41.2, 552.1, 127.4, 73, 562.1, 67.11,  
455/342, 550.1; 331/179; 375/240.29, 260,  
375/219, 132, 296, 278, 344; 220/4.01, 4.02  
See application file for complete search history.

(56) **References Cited**

**U.S. PATENT DOCUMENTS**

D317,132 S \* 5/1991 Knipfer et al. .... D10/65  
D333,471 S \* 2/1993 Vong ..... D14/230  
D346,170 S \* 4/1994 Tang ..... D14/230  
D347,010 S \* 5/1994 Emmerling ..... D14/230

D359,052 S \* 6/1995 Nagele et al. .... D14/253  
D366,046 S \* 1/1996 Oba et al. .... D14/230  
D413,313 S \* 8/1999 Henderson et al. .... D14/358  
D418,839 S \* 1/2000 Brunner et al. .... D14/230  
D427,996 S \* 7/2000 Heiligenstein et al. .... D14/230  
D442,925 S \* 5/2001 Backs et al. .... D14/126  
D453,329 S \* 2/2002 Muramatsu ..... D14/230  
D456,351 S \* 4/2002 Yoneda ..... D13/108  
2007/0135157 A1\* 6/2007 Kuo et al. .... 455/550.1

**OTHER PUBLICATIONS**

MiTAC Technology Corporation.pdf—<http://web.petabox.bibalex.org/web/20060424161714/http://www.mitac-mtc.com/tw/English/products/wireless.aspx>, Apr. 24, 2006.\*

\* cited by examiner

*Primary Examiner*—Robin V. Webster

*Assistant Examiner*—Karen E Kearney

(74) *Attorney, Agent, or Firm*—Rosenberg, Klein & Lee

(57) **CLAIM**

The ornamental design for a wireless signal transceiver with rotatable antenna, as shown and described.

**DESCRIPTION**

FIG. 1 is a perspective view of a wireless signal transceiver with rotatable antenna showing our new design;

FIG. 2 is a front elevational view thereof;

FIG. 3 is a rear elevational view thereof;

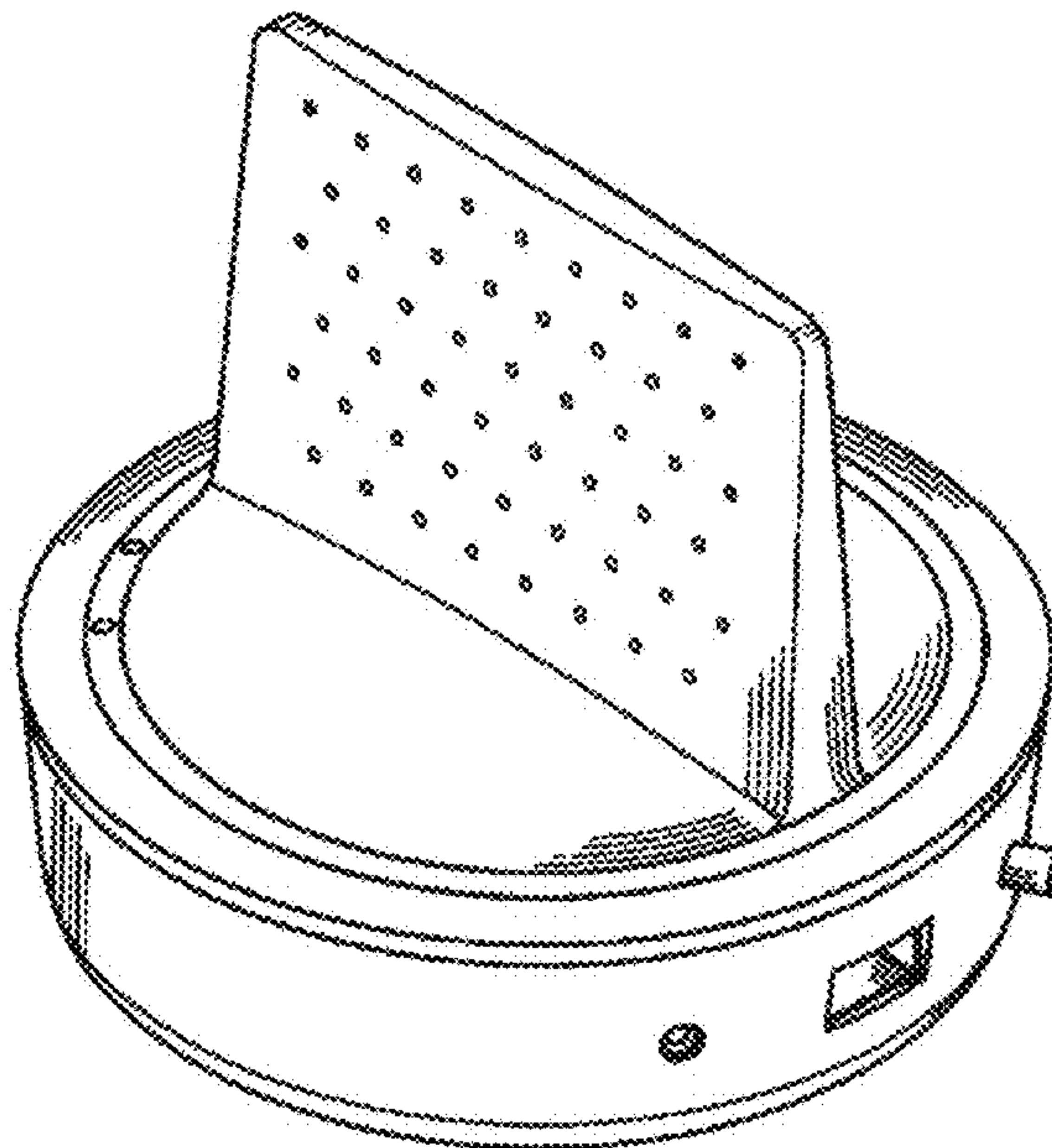
FIG. 4 is a left side elevational view thereof;

FIG. 5 is a right side elevational view thereof;

FIG. 6 is a top plan view thereof; and,

FIG. 7 is a bottom plan view thereof.

**1 Claim, 7 Drawing Sheets**



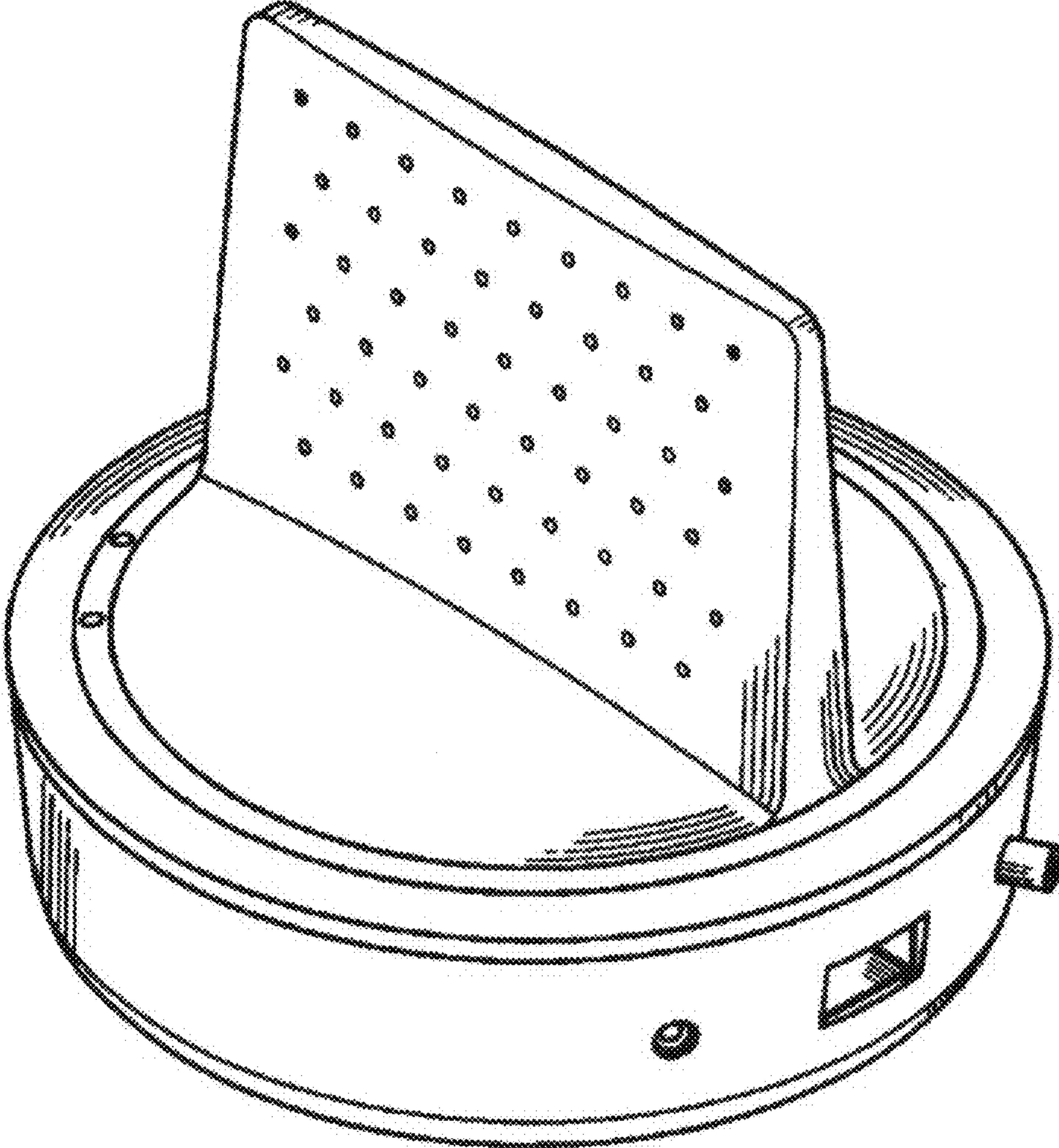


FIG. 1

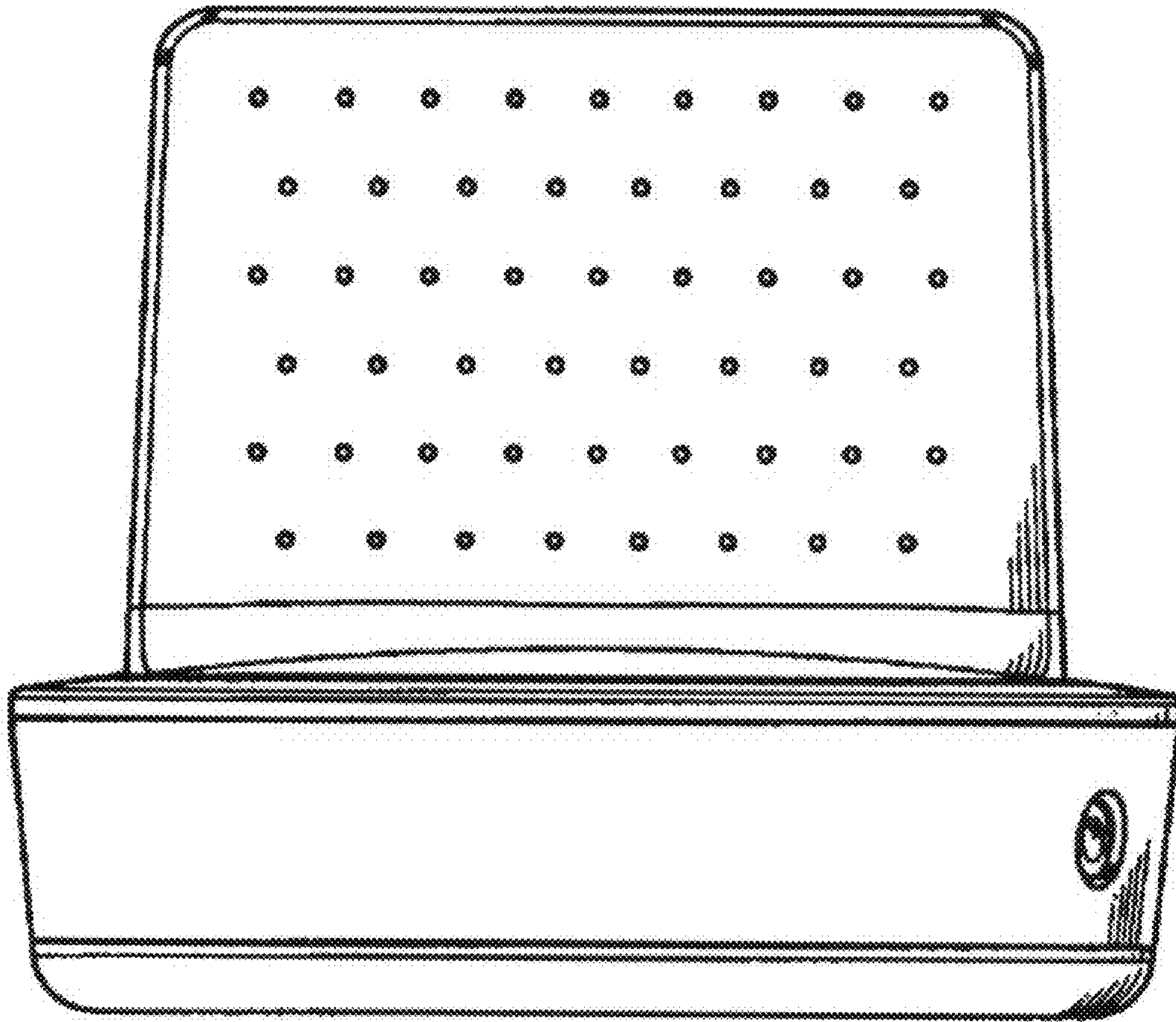


FIG.2



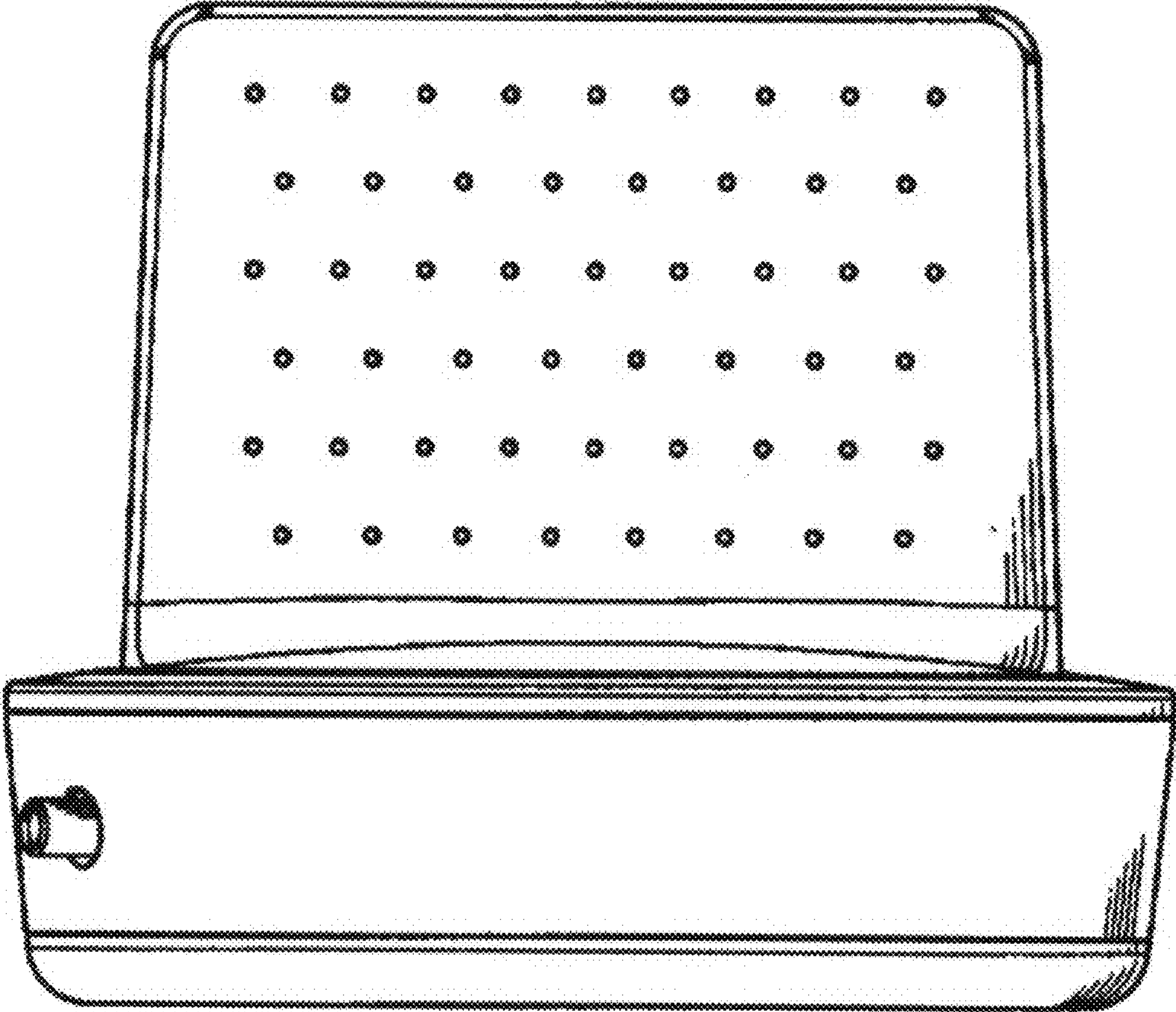
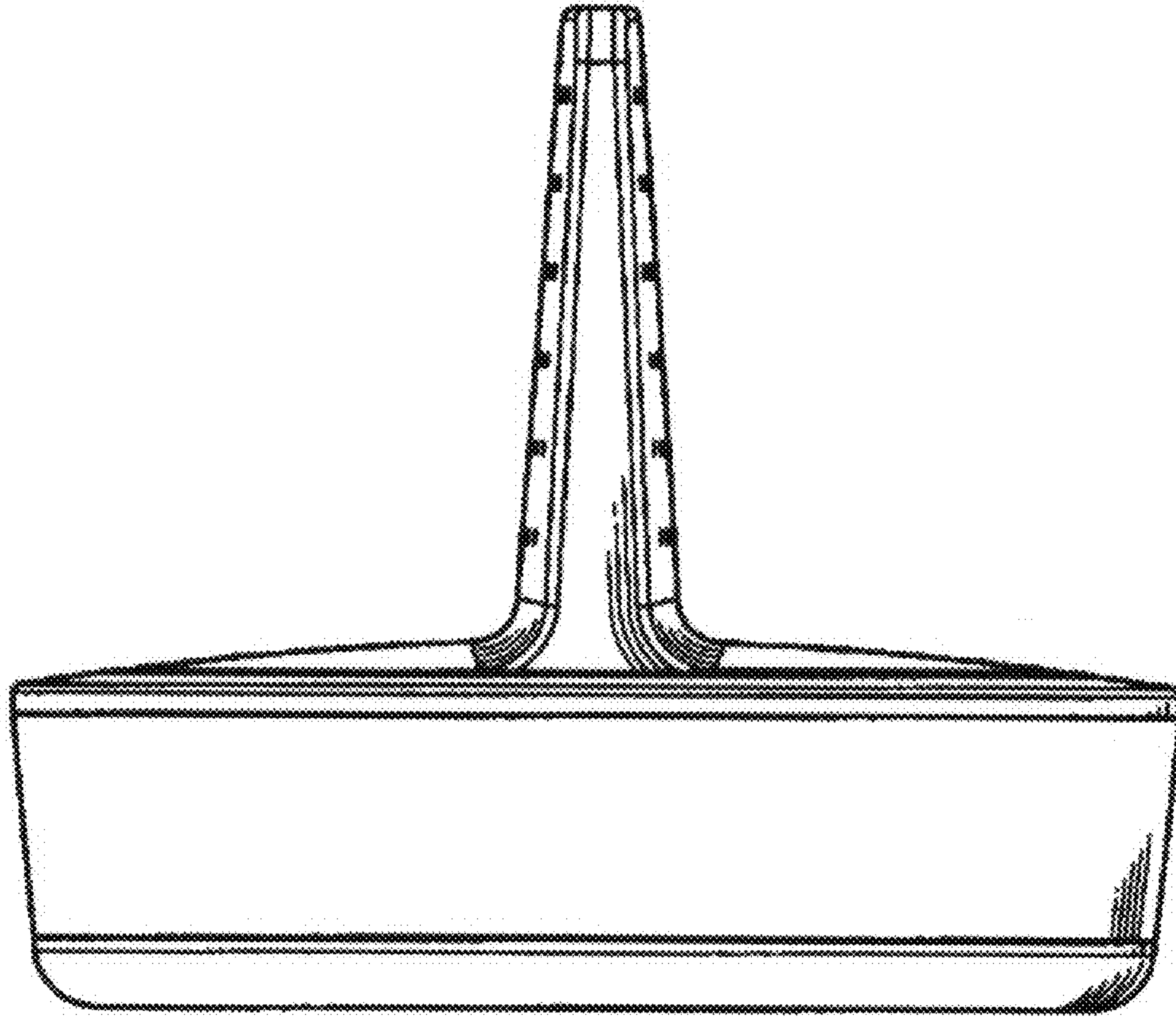


FIG.3



**FIG.4**

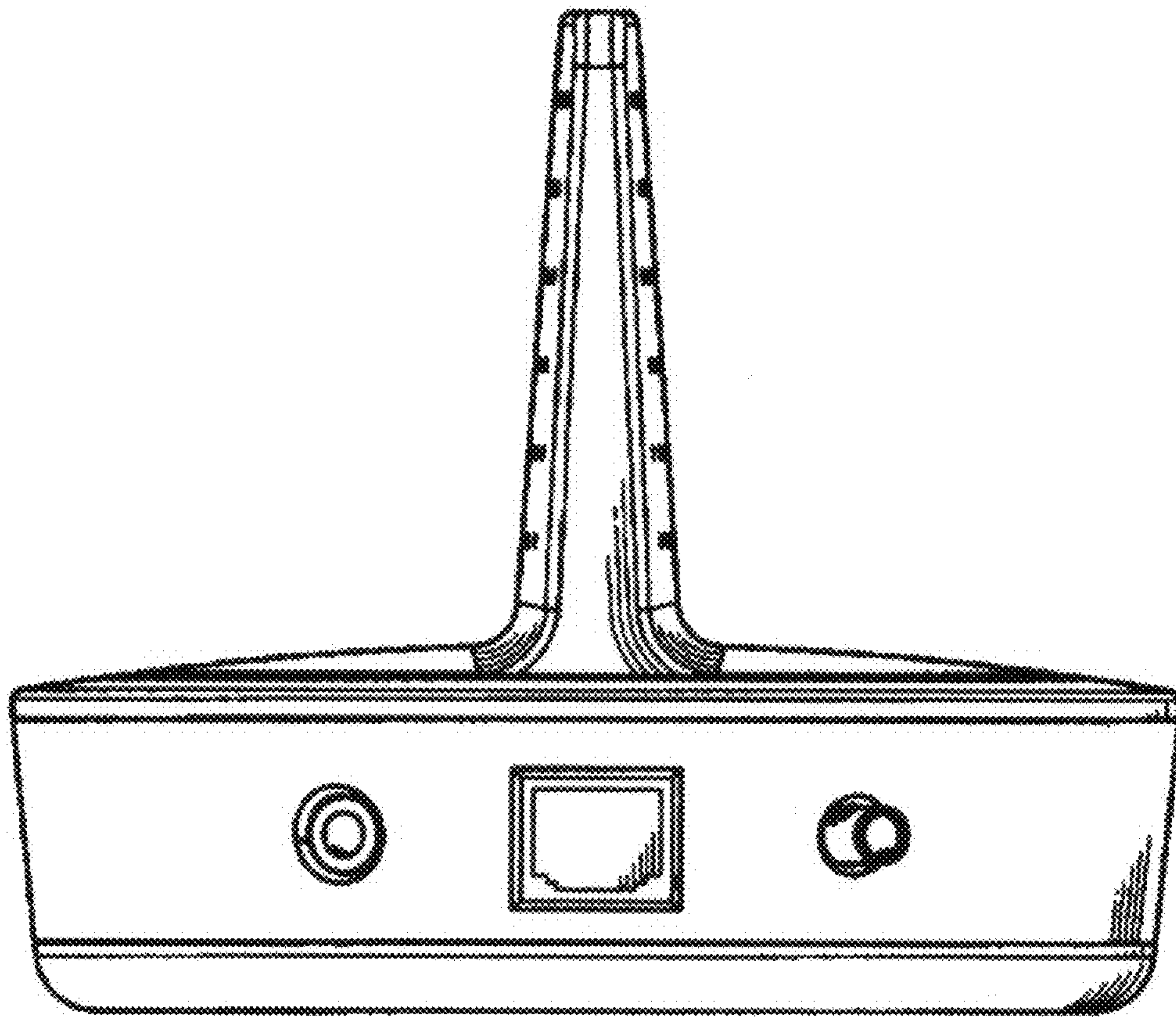


FIG.5



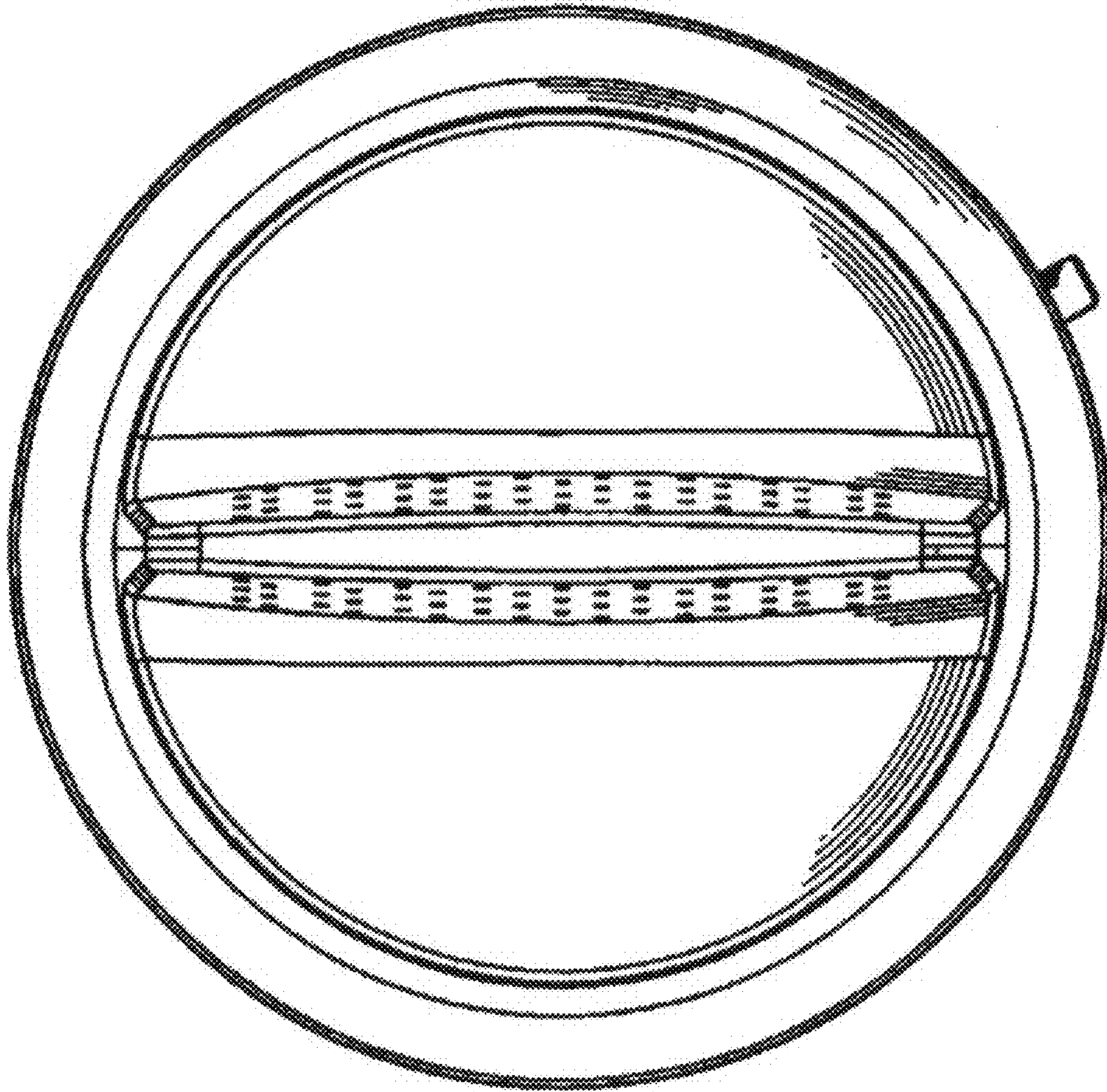
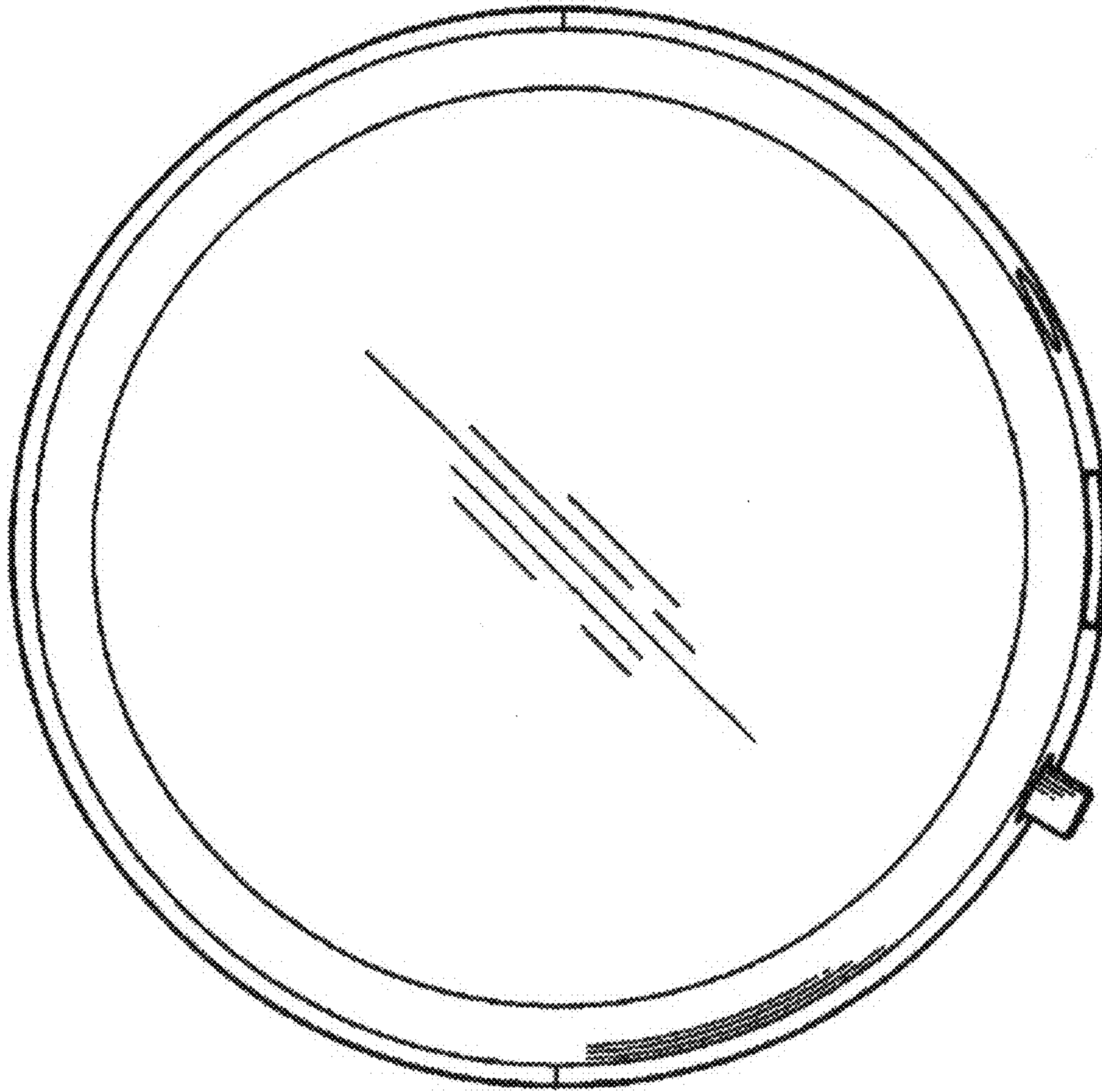


FIG. 6



**FIG. 7**