



US00D558763S

(12) **United States Design Patent**
Morganstern et al.

(10) **Patent No.:** **US D558,763 S**
(45) **Date of Patent:** **** Jan. 1, 2008**

(54) **FLASH MEMORY DRIVE**

(75) Inventors: **Michael Alan Morganstern**, Saratoga, CA (US); **Derek Niizawa**, Sunnyvale, CA (US); **Jeffrey A. Salazar**, Palo Alto, CA (US); **Junggi Sung**, San Francisco, CA (US)

(73) Assignee: **SanDisk Corporation**, Milpitas, CA (US)

(**) Term: **14 Years**

(21) Appl. No.: **29/275,796**

(22) Filed: **Jan. 5, 2007**

Related U.S. Application Data

(63) Continuation of application No. 11/618,436, filed on Dec. 29, 2006.

(51) **LOC (8) Cl.** **14-02**

(52) **U.S. Cl.** **D14/356**

(58) **Field of Classification Search** D14/137, D14/156, 167, 240, 242, 299, 348, 356, 384-5, D14/402, 432-435, 496; 257/315; 439/518, 439/139, 141, 144, 140, 638, 352, 76.1; 365/63, 365/131; 710/74, 62; 361/685-6
See application file for complete search history.

(56) **References Cited**

U.S. PATENT DOCUMENTS

D380,199 S * 6/1997 Beruscha et al. D13/184
D392,939 S * 3/1998 Finke-Anlauff D13/103
D401,916 S * 12/1998 Butts et al. D14/385
D407,063 S * 3/1999 Reis et al. D13/103
D412,483 S * 8/1999 Chintala et al. D13/103

D426,529 S * 6/2000 Lohrding et al. D14/137
D495,711 S * 9/2004 Willat et al. D14/402
D504,442 S * 4/2005 Kim D14/496
D514,590 S * 2/2006 Naruki D14/496
D526,321 S * 8/2006 Hayes et al. D14/435
D541,272 S * 4/2007 Wang D14/356
D544,480 S * 6/2007 Murakami D14/358
2007/0049217 A1* 3/2007 Suzuki et al 455/90.3

OTHER PUBLICATIONS

D14 PDF Search: silicon power 1 usb.pdf—<http://www.silicon-power.com/upload/en/400/Touch-510-front-white-1.jpg> <http://www.silicon-power.com/upload/en/400/Touch-510-front-white-2.jpg>, Jan. 25, 2007.*

* cited by examiner

Primary Examiner—Robin V. Webster

Assistant Examiner—Karen E Kearney

(74) *Attorney, Agent, or Firm*—Davis Wright Tremaine LLP

(57) **CLAIM**

The ornamental design for a flash memory drive, as shown and described.

DESCRIPTION

FIG. 1 is a front, top, right side isometric view of the flash memory drive;

FIG. 2 is a top plan view thereof;

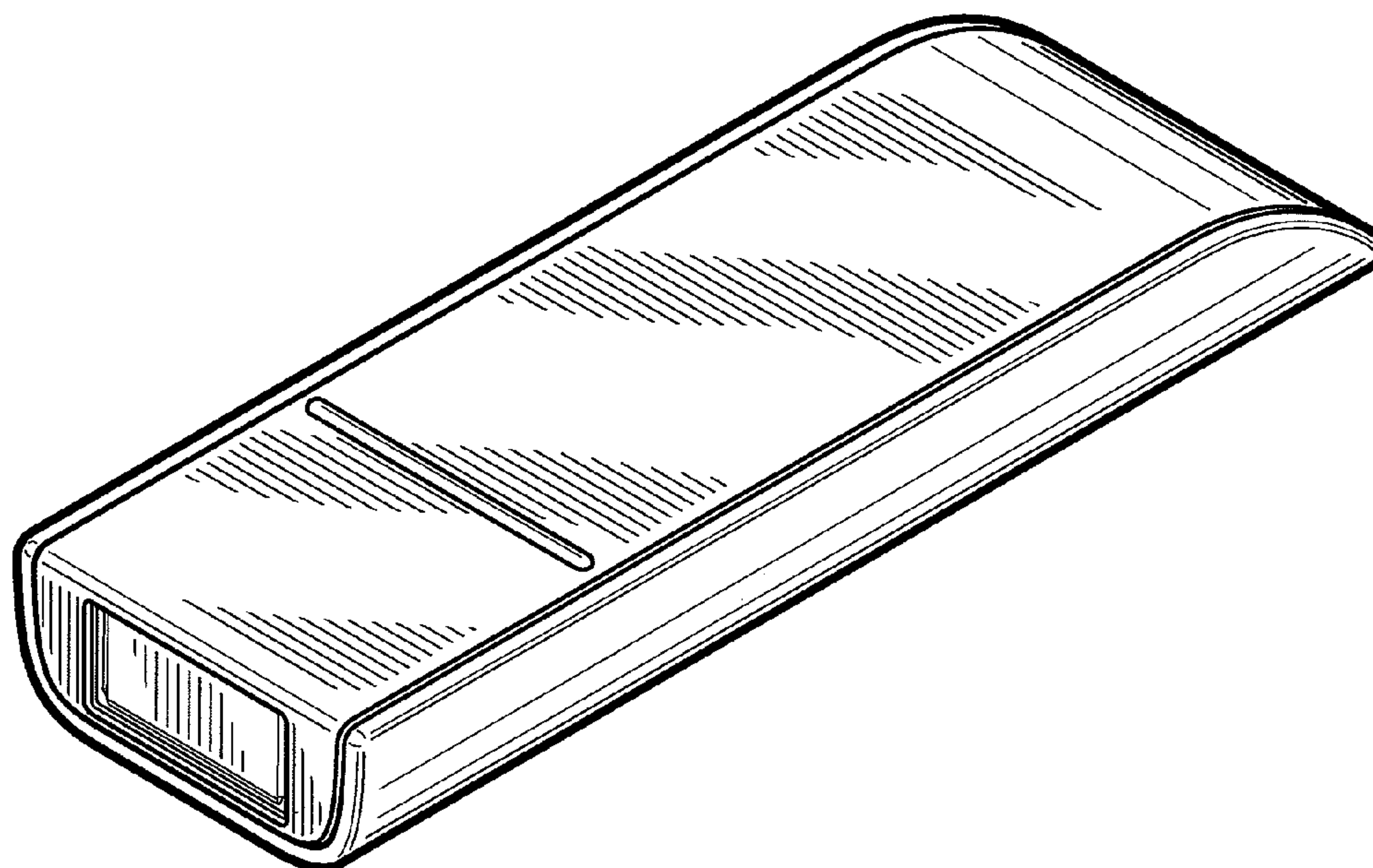
FIG. 3 is a right side elevational view thereof, where the opposite view is a mirror image;

FIG. 4 is a bottom plan view thereof;

FIG. 5 is a front elevational view thereof; and,

FIG. 6 is a rear elevational view thereof.

1 Claim, 2 Drawing Sheets



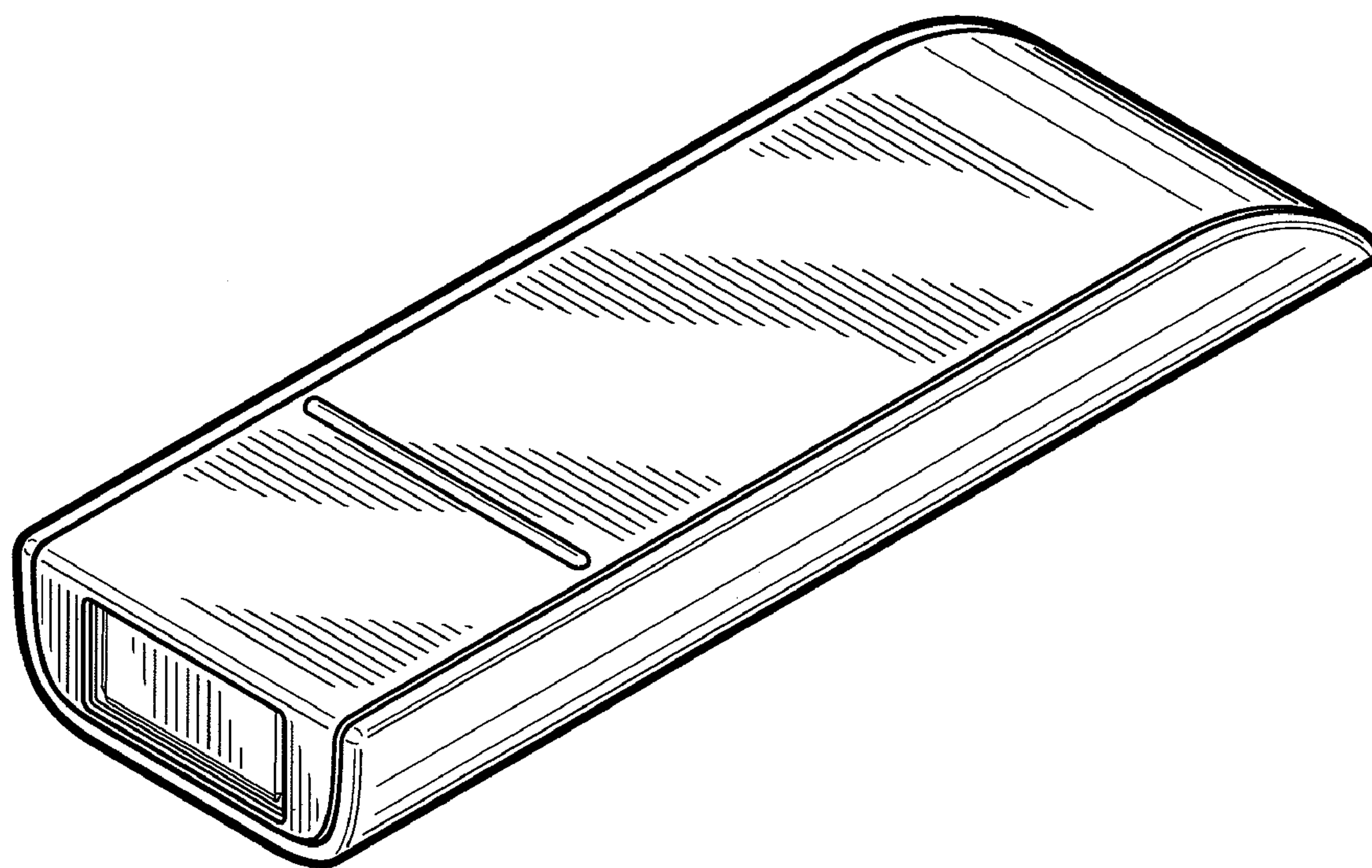


FIG. 1

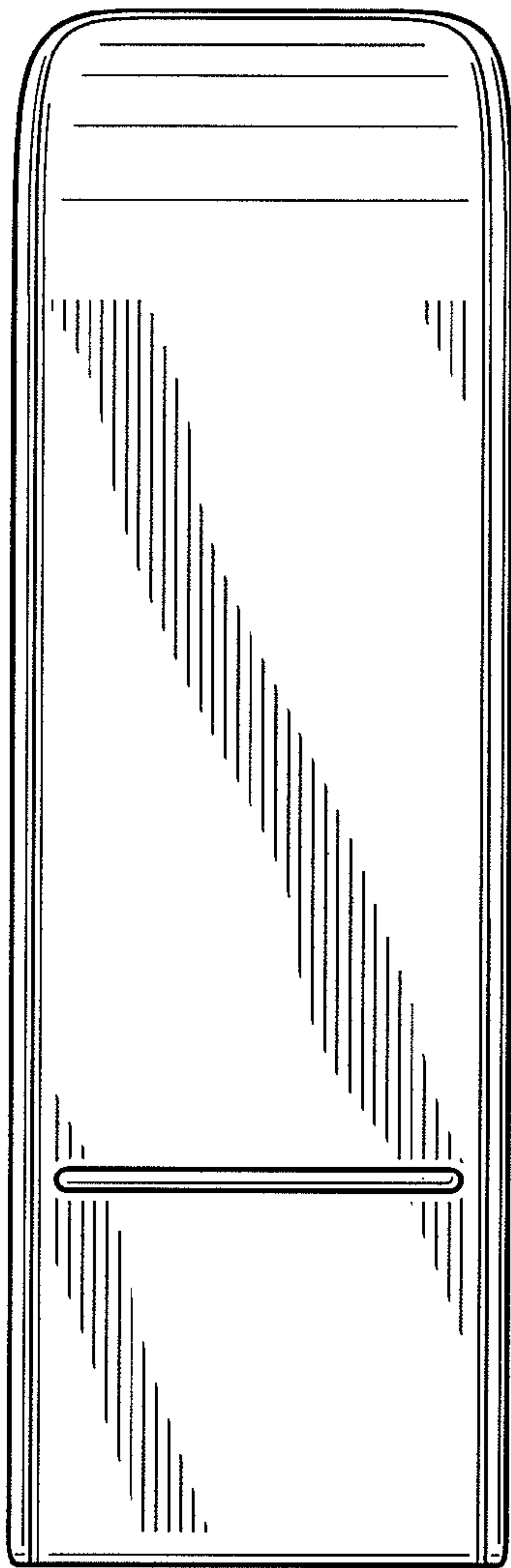


FIG. 2

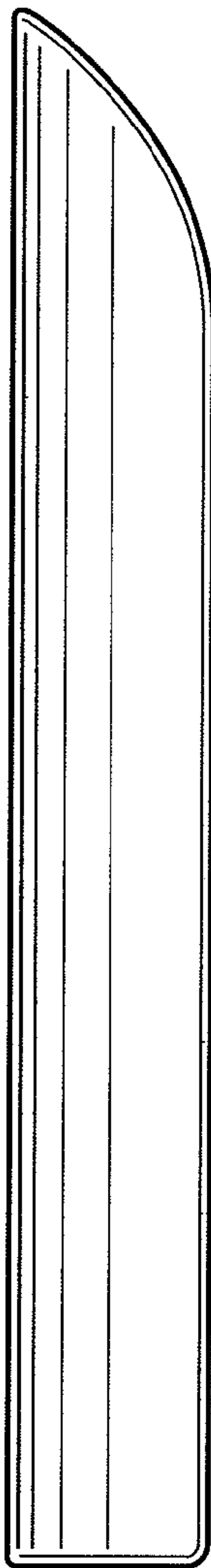


FIG. 3

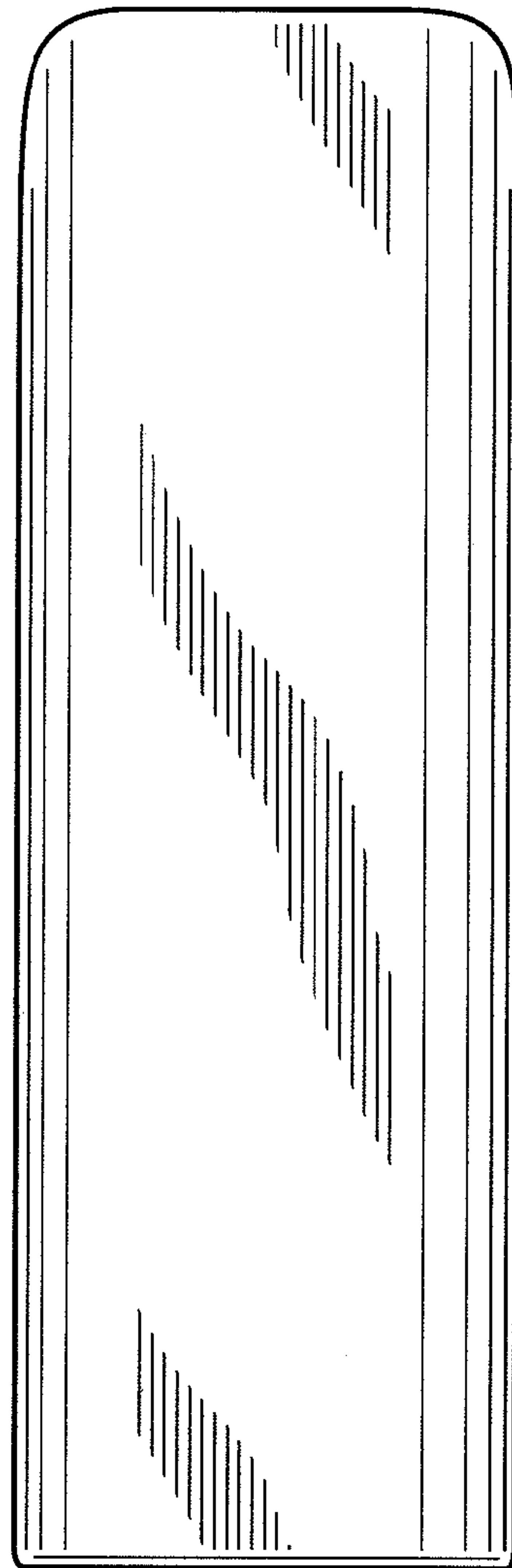


FIG. 4

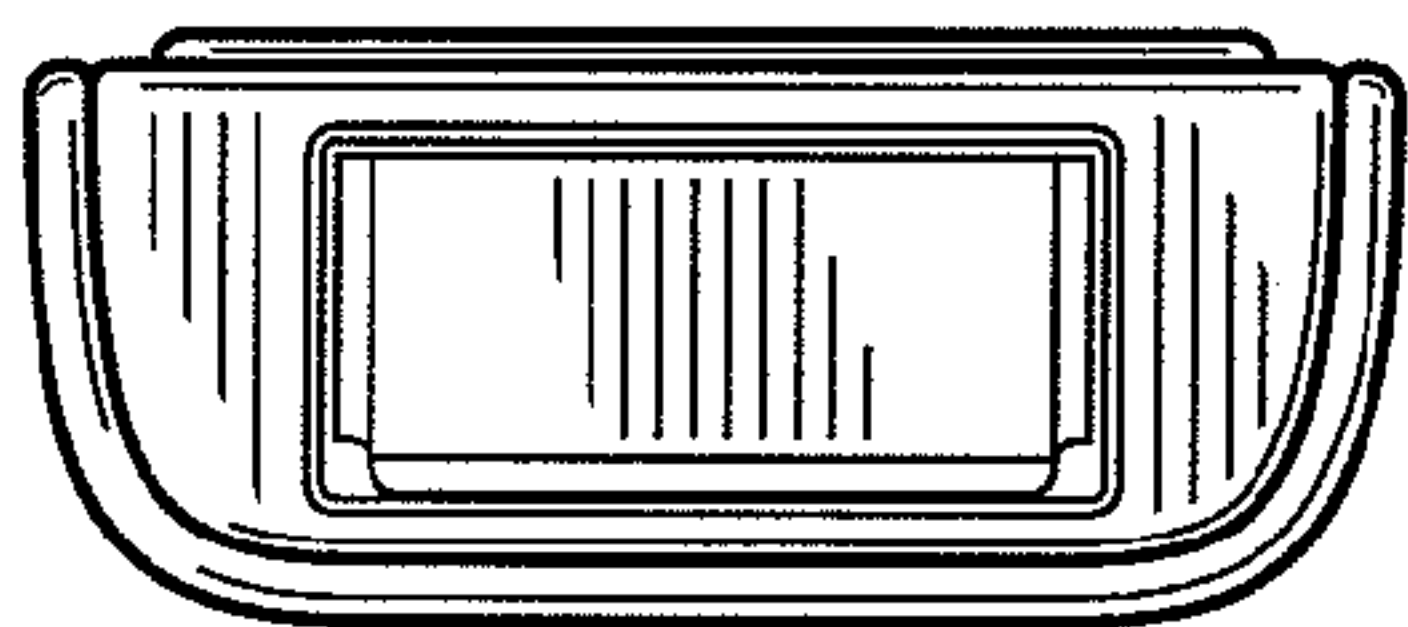


FIG. 5

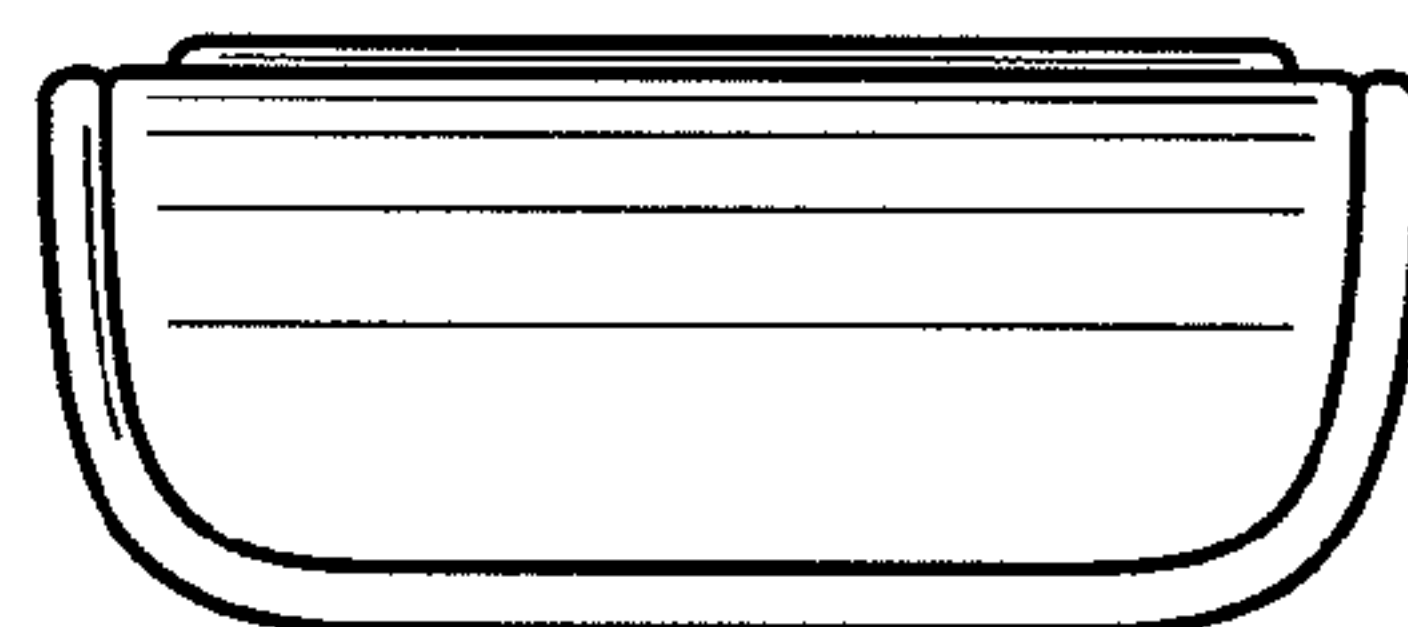


FIG. 6