



US00D558761S

(12) **United States Design Patent** (10) **Patent No.:** **US D558,761 S**  
**Viduya et al.** (45) **Date of Patent:** **\*\* Jan. 1, 2008**

(54) **PORTABLE PROCESSING TERMINAL**

OTHER PUBLICATIONS

(75) Inventors: **Andres Viduya**, Cranberry Township, PA (US); **Greg Holland**, Trafford, VA (US); **Oliver Grabes**, Seattle, WA (US); **Dominic Tooze**, London (GB)

Peripheral PDF's: [http://cgi.ebay.com/USB-wireless-MOUSE-w-receiver-pocket-USB-HUB-PS-2-si\\_W0QQitemZ110007231278QQihZ001QQcategoryZ60264QQcmdZViewItem](http://cgi.ebay.com/USB-wireless-MOUSE-w-receiver-pocket-USB-HUB-PS-2-si_W0QQitemZ110007231278QQihZ001QQcategoryZ60264QQcmdZViewItem), Nov. 16, 2006.\*

(73) Assignee: **Vocollect, Inc.**, Pittsburgh, PA (US)

(Continued)

(\*\*) Term: **14 Years**

*Primary Examiner*—Robin Webster

*Assistant Examiner*—Karen E. Patterson

(21) Appl. No.: **29/238,665**

(74) *Attorney, Agent, or Firm*—Wood, Herron & Evans, LLP

(22) Filed: **Sep. 19, 2005**

(57) **CLAIM**

(51) **LOC (8) Cl.** ..... **14-02**

The ornamental design for a portable processing terminal, as shown and described.

(52) **U.S. Cl.** ..... **D14/356**

(58) **Field of Classification Search** ..... D14/242, D14/496, 125, 240, 135-6, 167, 300-2, 314, D14/341, 356-8, 362-70, 383, 385, 348, D14/353, 156; D13/103; 220/4.02; 361/679, 361/683-6; 379/413.04

**DESCRIPTION**

See application file for complete search history.

FIG. 1 is a front perspective view of the portable processing terminal with broken lines illustrating an inserted battery;

FIG. 2 is a front perspective view thereof, without broken lines;

(56) **References Cited**

U.S. PATENT DOCUMENTS

3,969,796 A	7/1976	Hodsdon et al.	
4,031,295 A	6/1977	Rigazio	
4,845,650 A	7/1989	Meade et al.	
5,023,824 A	6/1991	Chadima, Jr. et al.	
5,155,659 A	10/1992	Kunert	
5,202,197 A	4/1993	Ansell et al.	
5,225,293 A	7/1993	Mitchell et al.	
5,251,105 A	10/1993	Kobayashi et al.	
D341,567 S *	11/1993	Acker et al. ....	D13/110
5,267,181 A	11/1993	George	
5,281,957 A	1/1994	Schoolman	
D344,494 S	2/1994	Cardenas	
5,305,244 A	4/1994	Newman et al.	
D351,841 S *	10/1994	Blankenship et al. ....	D14/242

FIG. 3 is a front elevational view of FIG. 2;

FIG. 4 is a rear elevational view of FIG. 2;

FIG. 5 is a right side elevational view of FIG. 2 with broken lines illustrating contact aspects;

FIG. 6 is a right side elevational view of FIG. 2 without broken lines;

FIG. 7 is a left side elevational view of FIG. 2;

FIG. 8 is a top view of FIG. 1;

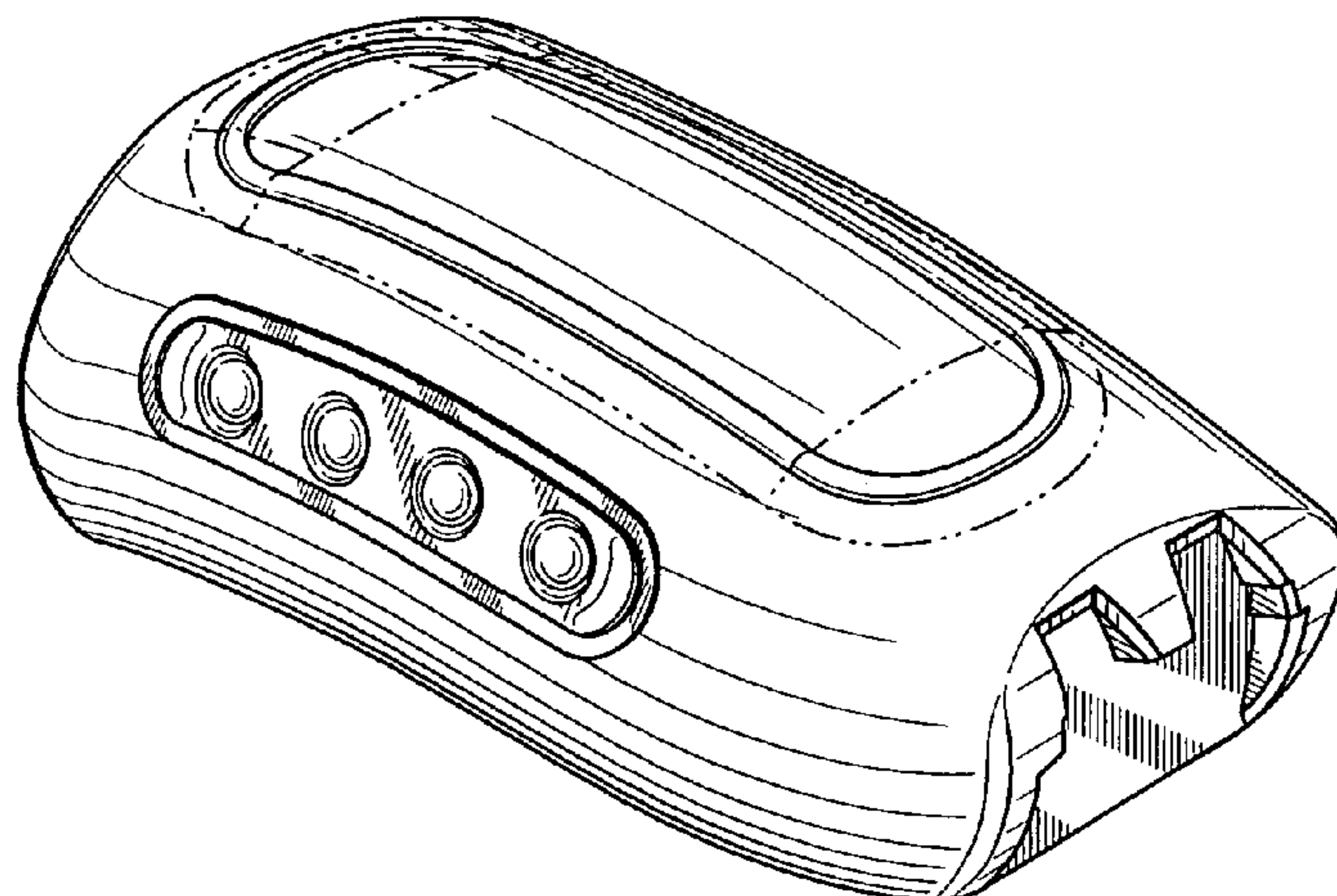
FIG. 9 is a top view of FIG. 2; and,

FIG. 10 is a bottom view of FIG. 1.

Any elements shown in dash-dot lines form no part of the claimed invention in this application, and are instead included to show environmental aspects of the claimed invention.

(Continued)

**1 Claim, 4 Drawing Sheets**



# US D558,761 S

## U.S. PATENT DOCUMENTS

5,371,679	A	12/1994	Abe et al.		6,235,420	B1	5/2001	Ng
5,432,510	A *	7/1995	Matthews .....	341/20	6,237,051	B1	5/2001	Collins
5,479,001	A	12/1995	Kumar		6,261,715	B1	7/2001	Nakamura et al.
5,491,651	A	2/1996	Janik		D448,027	S *	9/2001	Jones et al. ....
5,501,571	A	3/1996	Van Durrett et al.		6,302,454	B1	10/2001	Tsurumaru et al.
5,515,303	A	5/1996	Cargin, Jr. et al.		6,304,430	B1	10/2001	Laine et al.
5,535,437	A	7/1996	Karl et al.		6,304,459	B1	10/2001	Toyosato et al.
5,555,490	A	9/1996	Carroll		6,310,888	B1	10/2001	Hamlin
5,572,401	A	11/1996	Carroll		6,324,053	B1	11/2001	Kamijo
5,581,492	A	12/1996	Janik		6,326,543	B1	12/2001	Lamp et al.
5,604,050	A	2/1997	Brunette et al.		6,327,152	B1	12/2001	Saye
5,607,792	A	3/1997	Garcia et al.		6,339,764	B1	1/2002	Livesay et al.
D379,456	S *	5/1997	Osiecki .....	D14/167	6,349,001	B1	2/2002	Spitzer
5,637,417	A	6/1997	Engmark et al.		D454,873	S *	3/2002	Clark et al. ....
5,665,485	A	9/1997	Kuwayama et al.		6,353,313	B1	3/2002	Estep et al.
D385,855	S	11/1997	Ronzani		6,357,534	B1	3/2002	Beutow et al.
D387,898	S	12/1997	Ronzani		6,359,603	B1	3/2002	Zwern
D390,552	S	2/1998	Ronzani		6,359,777	B1	3/2002	Newman et al.
D391,234	S	2/1998	Chacon et al.		6,371,535	B2	4/2002	Wei et al.
5,719,743	A	2/1998	Jenkins et al.		6,373,693	B1	4/2002	Seto et al.
5,719,744	A	2/1998	Jenkins et al.		6,376,942	B1	4/2002	Burger et al.
5,757,339	A	5/1998	Williams et al.		6,384,591	B1	5/2002	Estep et al.
5,762,512	A	6/1998	Trant et al.		6,384,982	B1	5/2002	Spitzer
5,766,794	A	6/1998	Brunette et al.		6,394,278	B1	5/2002	Reed
5,787,361	A	7/1998	Chen		6,445,175	B1	9/2002	Estep et al.
5,841,630	A	11/1998	Seto et al.		6,511,770	B2	1/2003	Chang
5,844,824	A	12/1998	Newman et al.		D475,996	S *	6/2003	Skulley .....
5,856,038	A	1/1999	Mason		D480,074	S *	9/2003	Tuhkanen .....
5,857,148	A	1/1999	Weissshappel et al.		D483,281	S *	12/2003	Cobigo .....
5,869,204	A	2/1999	Kottke et al.		D487,470	S *	3/2004	Cobigo .....
5,895,729	A	4/1999	Phelps, III et al.		6,769,762	B2	8/2004	Saito et al.
5,905,632	A	5/1999	Seto et al.		6,826,532	B1	11/2004	Casby et al.
D411,179	S	6/1999	Toyosato		D506,065	S *	6/2005	Sugino et al. ....
5,935,729	A	8/1999	Mareno et al.		6,909,546	B2	6/2005	Hirai
D413,582	S	9/1999	Tompkins		D517,556	S *	3/2006	Cho .....
D416,263	S *	11/1999	Kuczyk et al. ....	D14/240	7,052,799	B2	5/2006	Zatezalo
5,999,085	A	12/1999	Szwarc et al.		D529,438	S	10/2006	Viduya
6,021,207	A	2/2000	Puthuff et al.		2001/0004310	A1	6/2001	Kono
6,051,334	A	4/2000	Tsurumaru et al.		2001/0036058	A1	11/2001	Jenks et al.
6,060,193	A	5/2000	Remes et al.		2001/0046305	A1	11/2001	Muranami et al.
6,071,640	A	6/2000	Robertson, Jr. et al.		2001/0048586	A1	12/2001	Itou et al.
6,085,428	A	7/2000	Casby et al.		2002/0012832	A1	1/2002	White et al.
6,114,625	A	9/2000	Hughes et al.		2002/0015008	A1	2/2002	Kishida et al.
6,120,932	A	9/2000	Slipy et al.		2002/0025455	A1	2/2002	Yoneyama
6,127,990	A	10/2000	Zwern		2002/0034683	A1	3/2002	Takeshita et al.
6,136,467	A	10/2000	Phelps, III et al.		2002/0194005	A1	12/2002	Lahr
6,137,686	A	10/2000	Saye		2003/0171921	A1	9/2003	Manabe et al.
6,137,868	A	10/2000	Leach					
6,157,533	A	12/2000	Sallam et al.					
6,160,702	A	12/2000	Lee et al.					
6,167,413	A	12/2000	Daley, III					
6,171,138	B1	1/2001	Lefebvre et al.					
6,179,192	B1	1/2001	Weinger et al.					
6,190,795	B1	2/2001	Daley					
6,225,777	B1	5/2001	Garcia et al.					
6,226,622	B1	5/2001	Dabbiere					
6,229,694	B1	5/2001	Kono					

## OTHER PUBLICATIONS

10 photographs of previous Vocollect terminal.  
 U.S. Appl. No. 29/242,817, A Headset, filed Nov. 15, 2005.  
 U.S. Appl. No. 29/242,950, Control Panel for a Headset, filed Nov. 16, 2005.  
 U.S. Appl. No. 11/186,592, Environmentally-Sealed Portable Terminal, filed Jul. 21, 2005.  
 US 6,335,860, 01/2002, Shin et al. (withdrawn)

\* cited by examiner



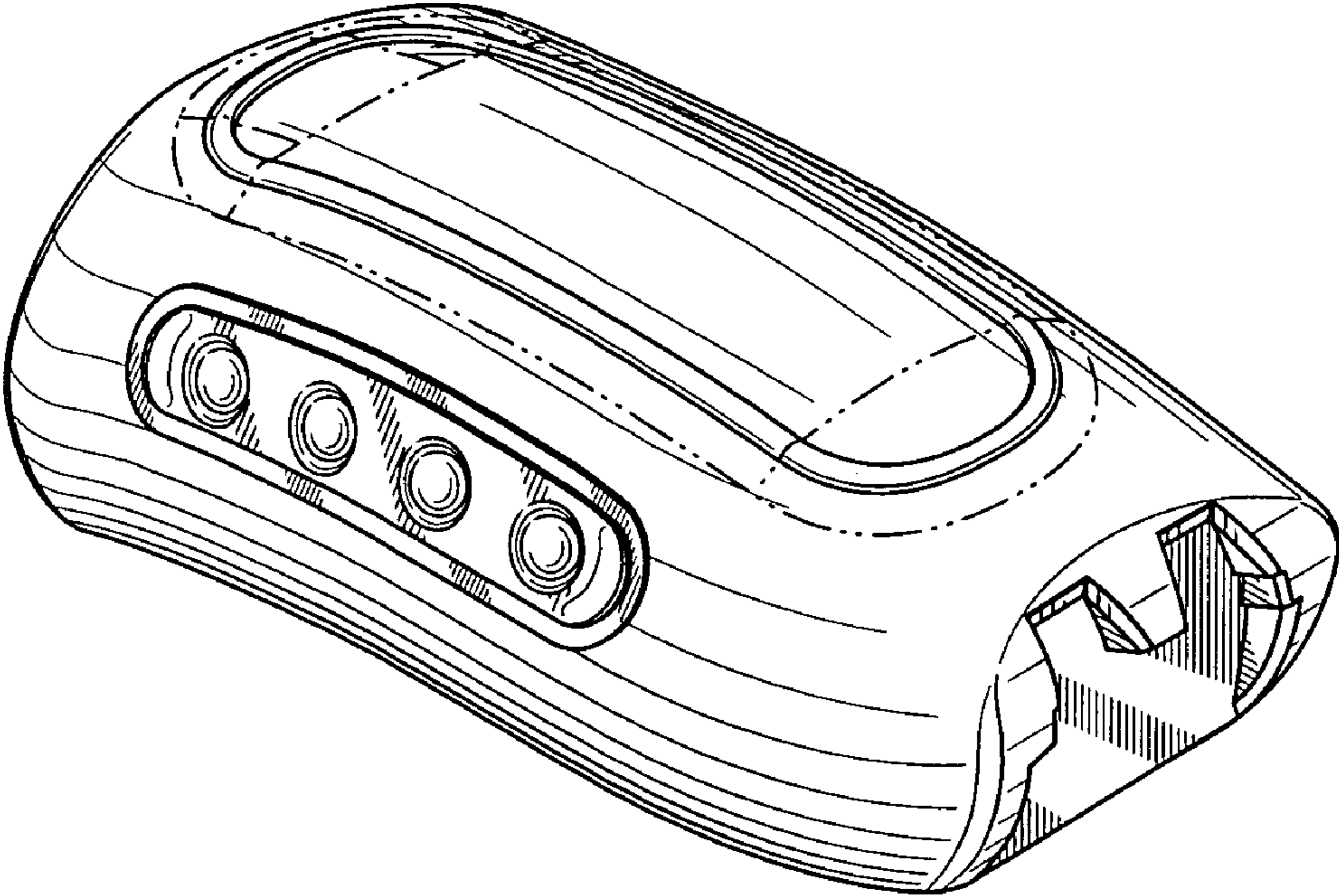


FIG. 1

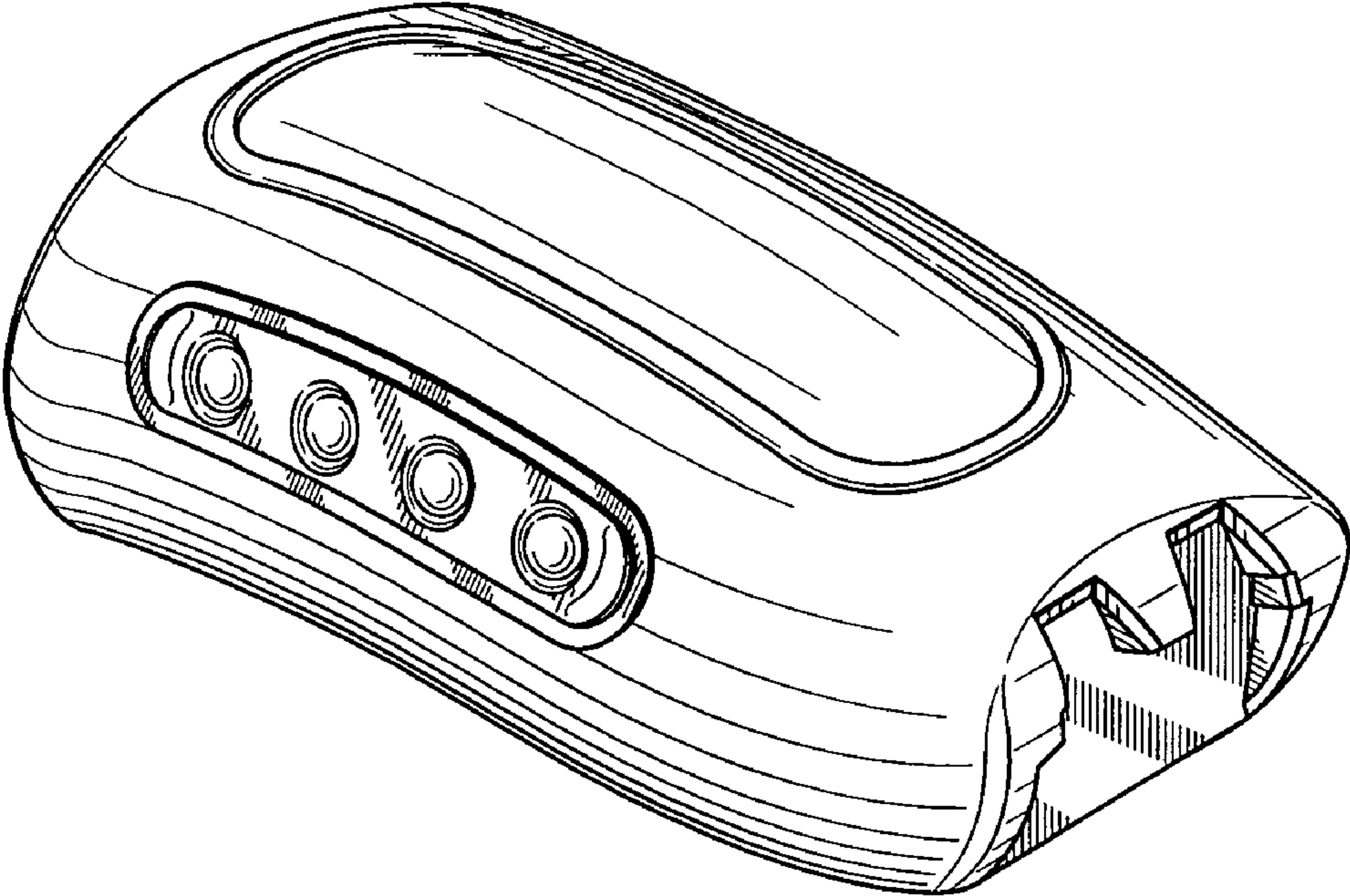


FIG. 2

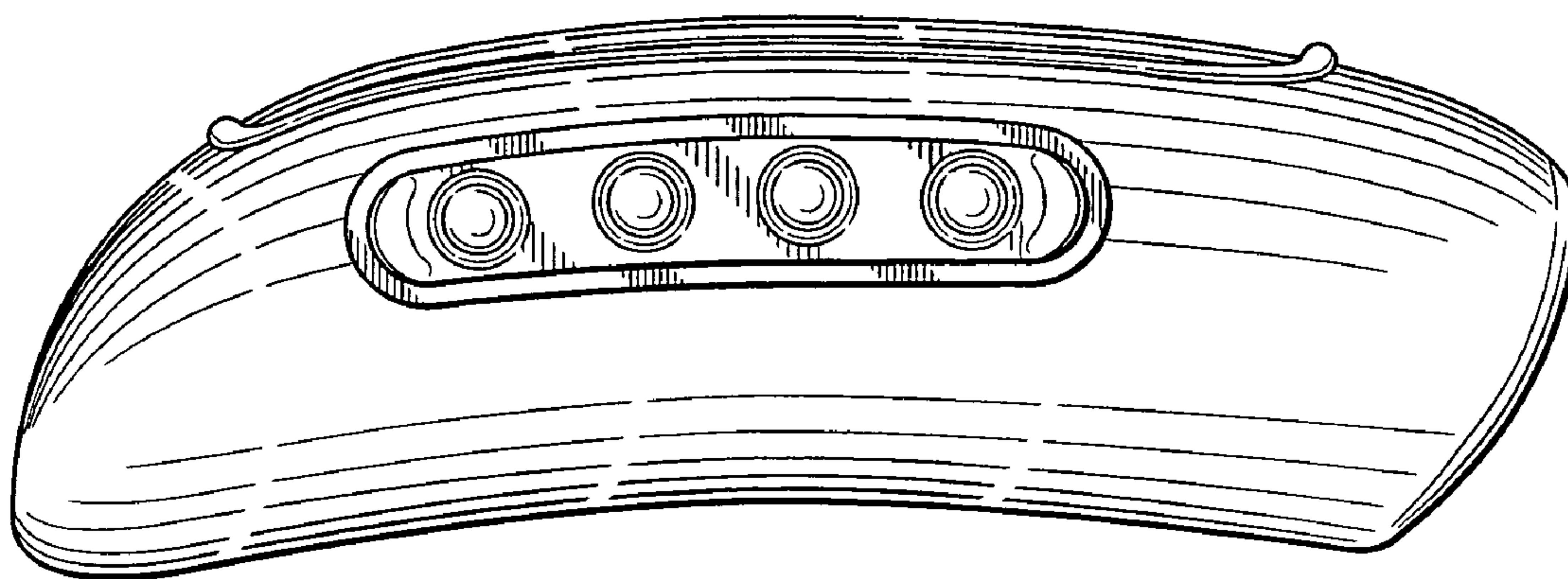


FIG. 3

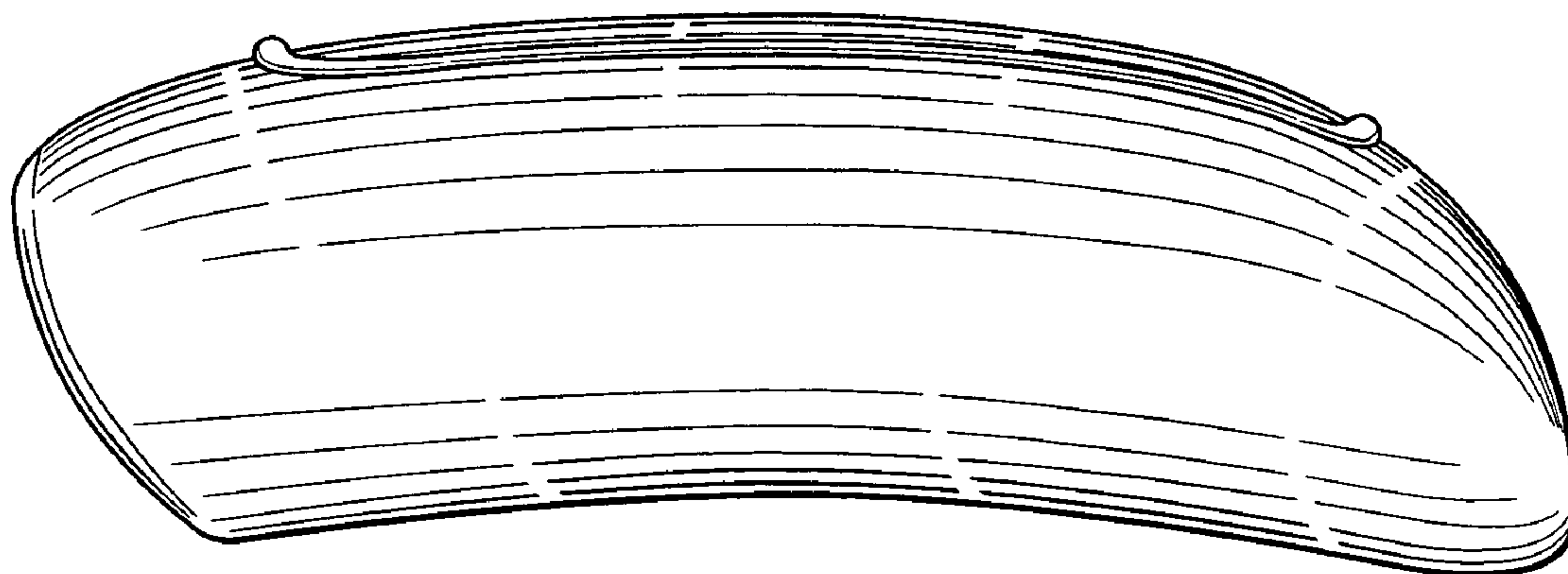


FIG. 4

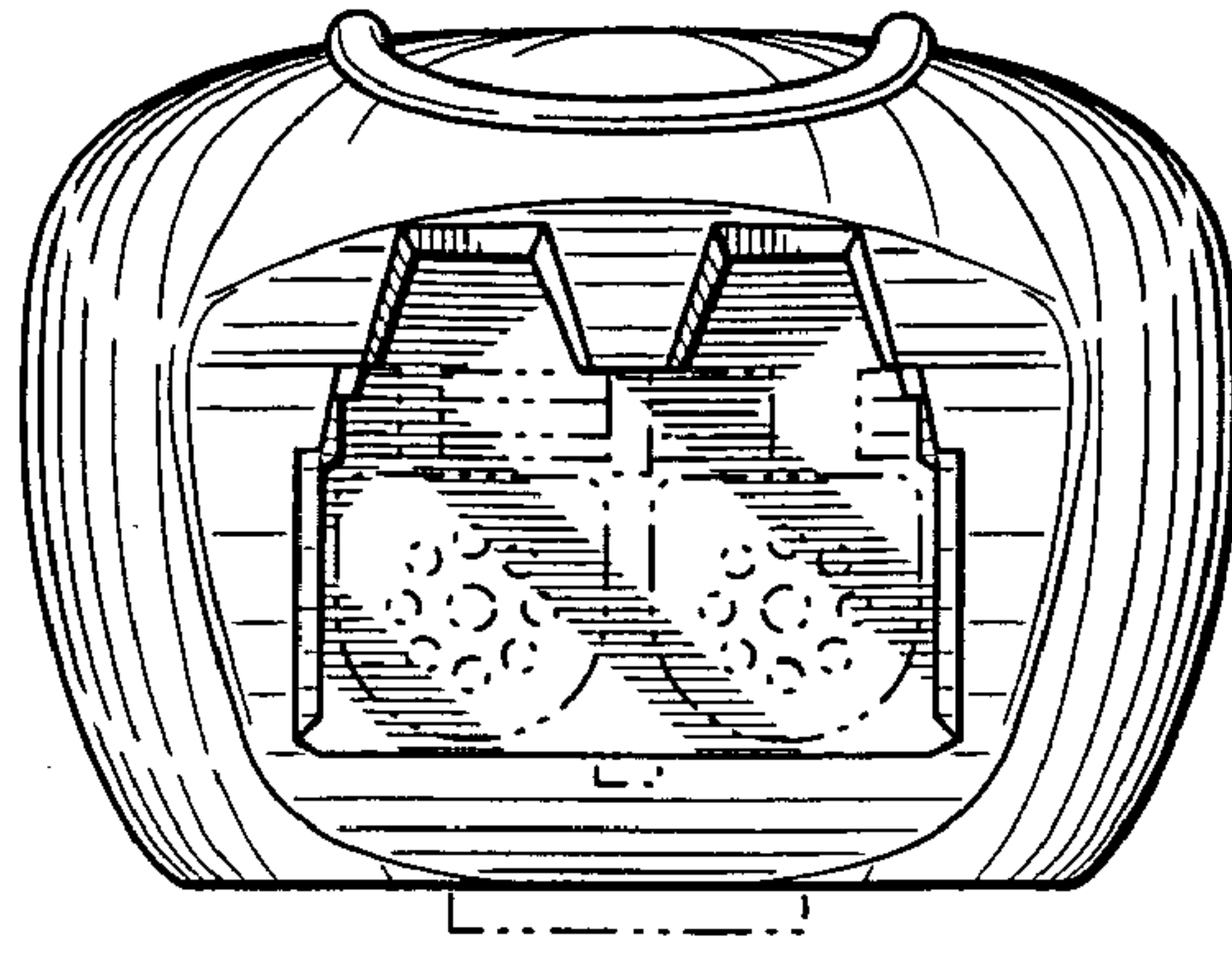


FIG. 5

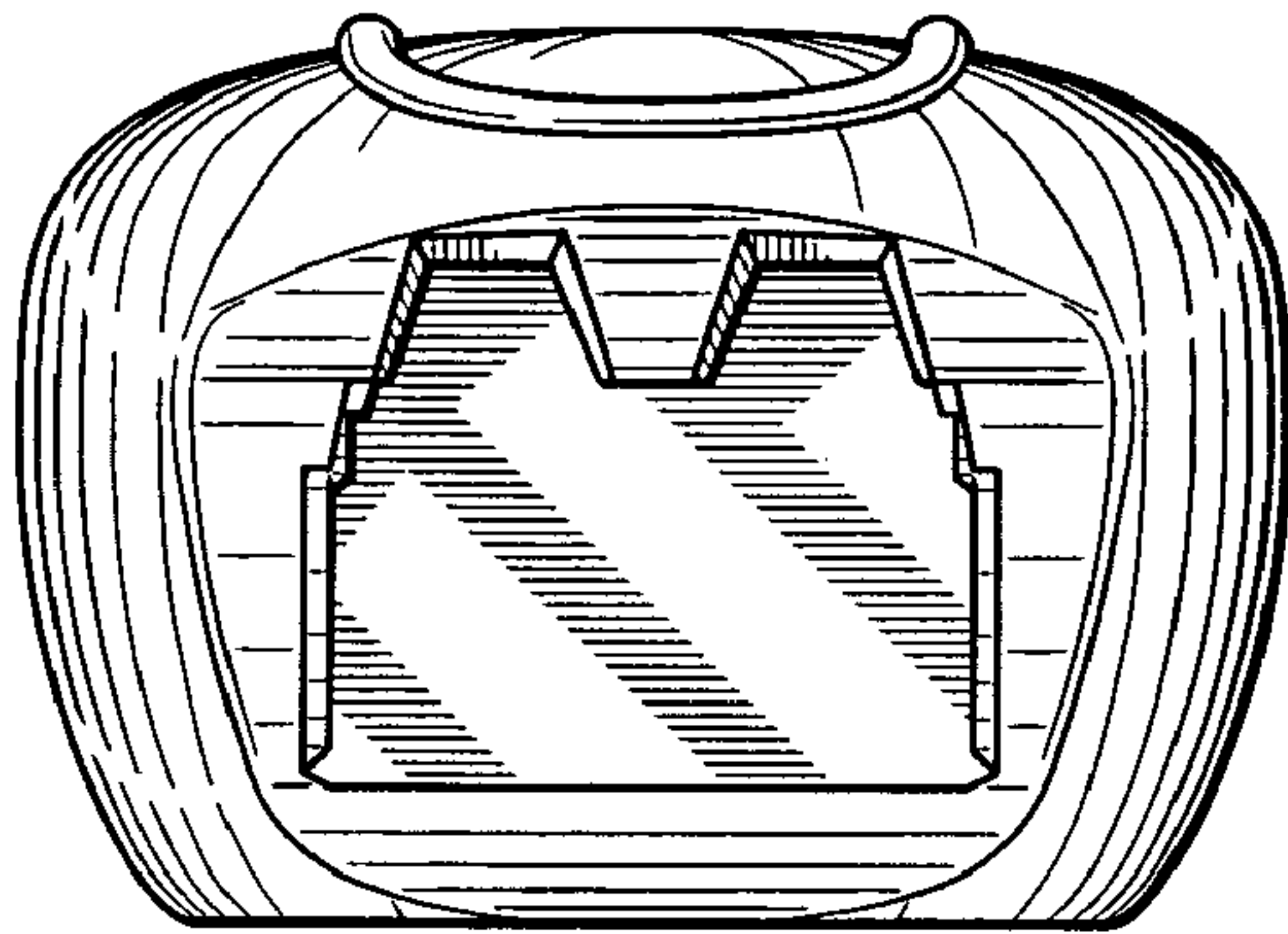


FIG. 6

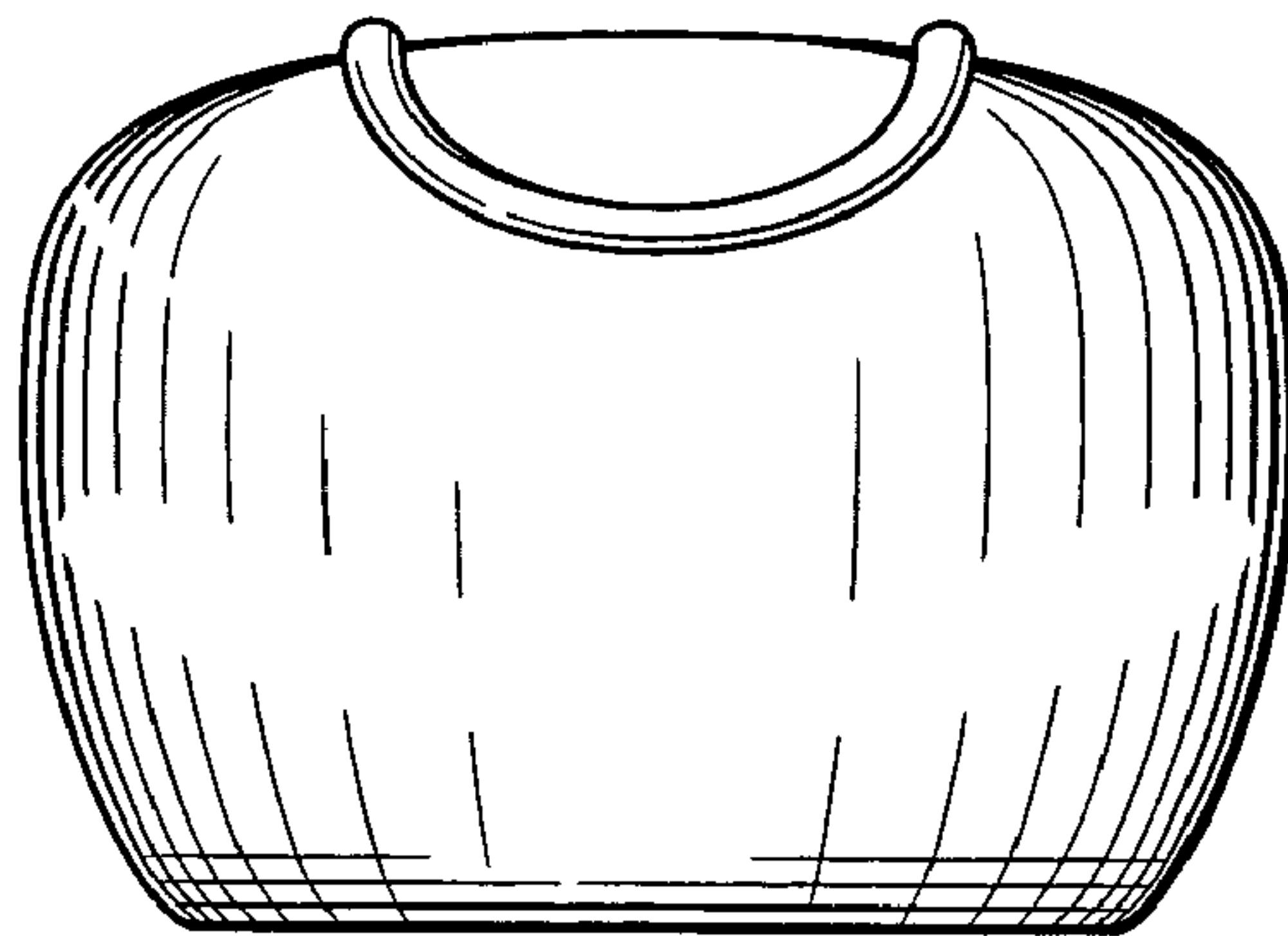


FIG. 7



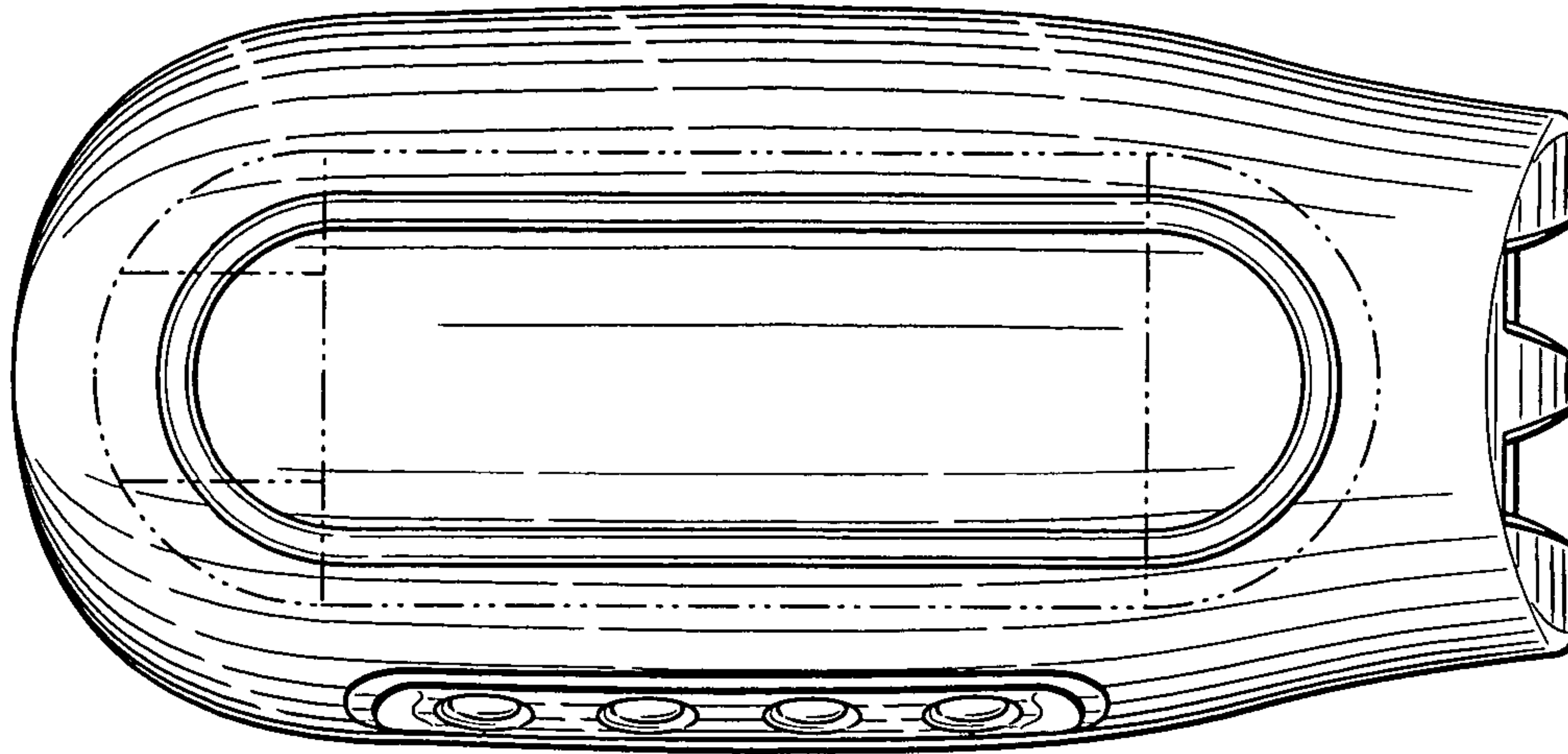


FIG. 8

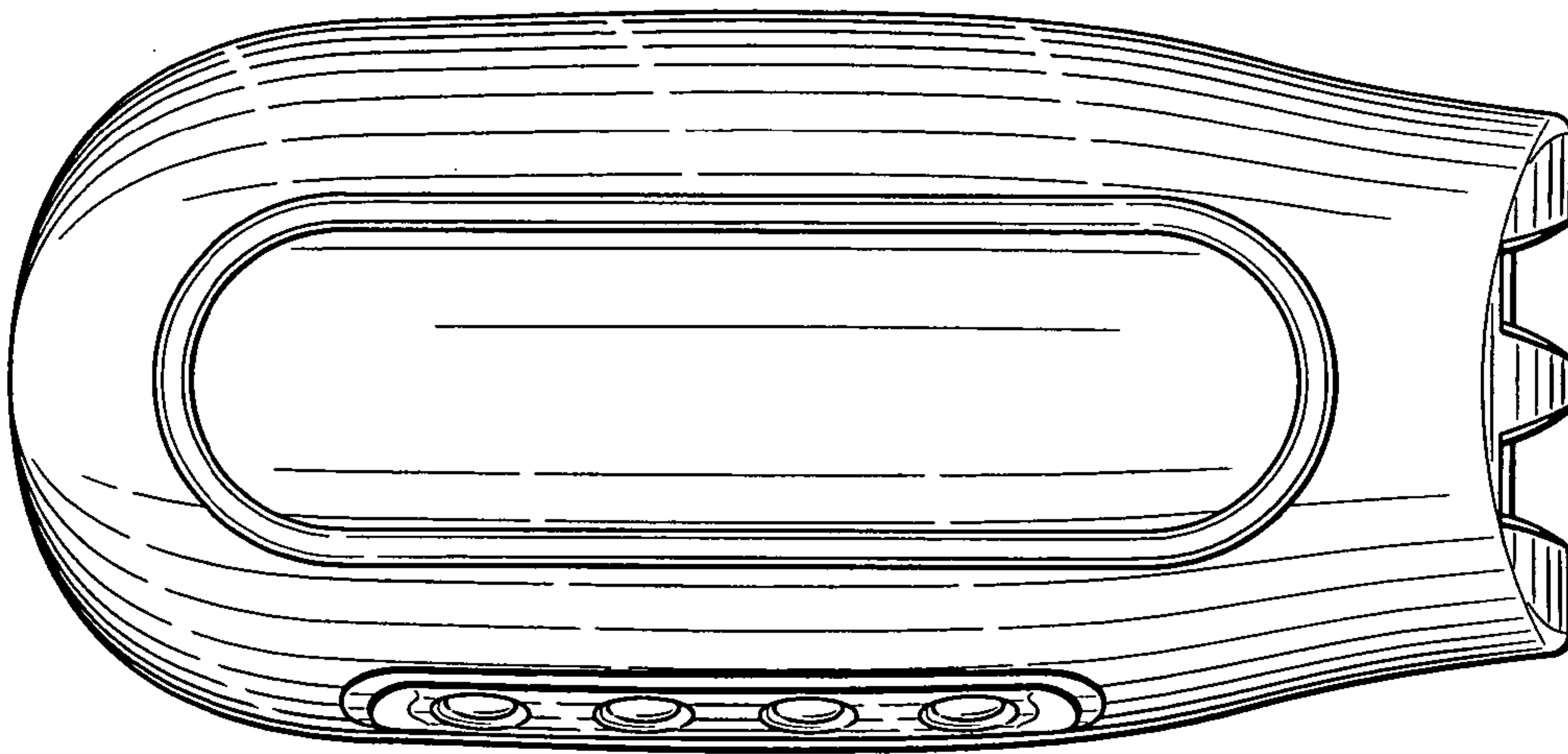


FIG. 9

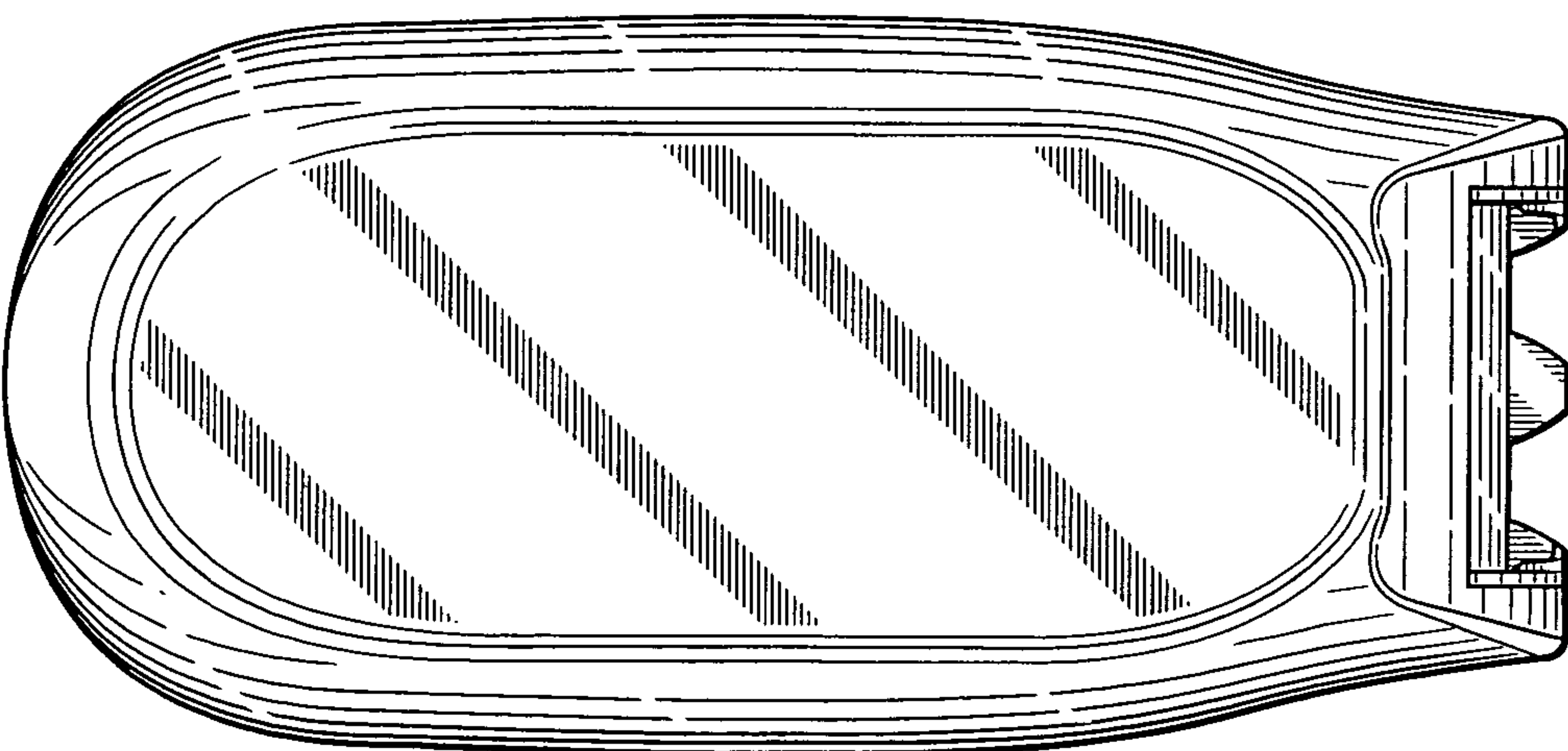


FIG. 10