



US00D558760S

(12) **United States Design Patent**
Fitch et al.

(10) **Patent No.:** **US D558,760 S**
(45) **Date of Patent:** **** *Jan. 1, 2008**

(54) **DATA COLLECTION DEVICE**
(75) Inventors: **Timothy R. Fitch**, Syracuse, NY (US);
Brian V. Conti, Matthews, NC (US)
(73) Assignee: **Hand Held Products, Inc.**, Skaneateles
Falls, NY (US)

D390,554 S 2/1998 Larson et al.
D391,234 S 2/1998 Chacon et al.
D392,282 S 3/1998 Ahearn et al.
D393,834 S 4/1998 Margalit et al.
D394,855 S 6/1998 Ahearn et al.
D396,215 S 7/1998 Inukai

(Continued)

(**) Term: **14 Years**
(21) Appl. No.: **29/212,930**
(22) Filed: **Sep. 9, 2004**

Primary Examiner—Freda S. Nunn
(74) *Attorney, Agent, or Firm*—Marjama Muldoon Blasiak
& Sullivan, LLP

Related U.S. Application Data

(63) Continuation of application No. 10/754,653, filed on
Jan. 9, 2004.

(51) **LOC (8) Cl.** **14-02**
(52) **U.S. Cl.** **D14/346**
(58) **Field of Classification Search** D14/341–347;
D18/1, 2, 7; 235/145 A, 145 R, 462.46;
341/22, 23; 345/156, 168, 169, 172, 173;
349/12; 361/680–686, 690–696; 320/114
See application file for complete search history.

(57) **CLAIM**

The ornamental design for a data collection device, as shown
and described.

DESCRIPTION

FIG. 1 is a top perspective view of a data collection device
according to the invention;
FIG. 2 is a bottom perspective view of the data collection
device shown in FIG. 1;
FIG. 3 is a top view of the data collection device shown
in FIG. 1;
FIG. 4 is a bottom view of the data collection device shown
in FIG. 1;
FIG. 5 is a rear view of the data collection device shown in
FIG. 1;
FIG. 6 is a front view of the data collection device shown in
FIG. 1;
FIG. 7 is a first side view of the data collection device shown
in FIG. 1; and,
FIG. 8 is a second side view of the data collection device
shown in FIG. 1.

The broken lines of the drawings are for illustrative purposes
and form no part of the claimed design.

(56) **References Cited**

U.S. PATENT DOCUMENTS

D249,345 S 9/1978 Oliveira et al.
D299,234 S 1/1989 Kajita
D309,729 S 8/1990 Tanabe
D312,628 S 12/1990 Yokoi et al.
D313,401 S 1/1991 Tanabe
D331,745 S * 12/1992 Miyake et al. D14/347
D332,604 S * 1/1993 Miyake et al. D14/343
5,218,187 A 6/1993 Koenck et al.
5,218,188 A 6/1993 Hanson
D341,825 S 11/1993 Hamilton
D346,793 S 5/1994 Iino et al.
5,322,991 A * 6/1994 Hanson 235/462.46
D356,299 S 3/1995 Hamilton et al.
5,530,619 A 6/1996 Koenck et al.

1 Claim, 6 Drawing Sheets



US D558,760 S

Page 2

U.S. PATENT DOCUMENTS

D398,903 S	9/1998	Chacon et al.		D463,421 S	9/2002	Lanzaro et al.
D400,872 S	11/1998	Ahearn et al.		D463,425 S	9/2002	Jenkins
5,831,819 A *	11/1998	Chacon et al.	361/683	D464,962 S	10/2002	MacGregor et al.
D405,076 S	2/1999	Ahearn et al.		D465,219 S	11/2002	Tamaki et al.
D414,470 S	9/1999	Chacon et al.		D466,116 S	11/2002	Bhatia et al.
6,023,147 A *	2/2000	Cargin et al.	320/114	D467,918 S *	12/2002	Fitch et al. D14/347
D422,622 S	4/2000	Ono		D470,842 S	2/2003	Bhatia et al.
D428,883 S *	8/2000	Mizusugi et al.	D14/346	D473,872 S	4/2003	Ausems et al.
D429,226 S	8/2000	Siddoway et al.		D475,047 S	5/2003	Choi et al.
D430,158 S	8/2000	Bhatia et al.		D476,330 S	6/2003	Ahearn et al.
D430,159 S	8/2000	Bhatia et al.		D480,697 S	10/2003	Lee et al.
D431,562 S *	10/2000	Bhatia et al.	D14/341	D492,303 S	6/2004	Schlieffers et al.
D436,104 S	1/2001	Bhatia et al.		D492,305 S	6/2004	Choi et al.
D439,898 S	4/2001	Ober et al.		D492,681 S	7/2004	Ahearn et al.
D454,349 S	3/2002	Makidera et al.		D494,584 S	8/2004	Schlieffers et al.
D457,883 S	5/2002	Sugioka et al.		D494,593 S	8/2004	Wulff et al.
D458,265 S	6/2002	Fitch		D496,366 S	9/2004	Croley et al.
D460,068 S	7/2002	Lanzaro et al.		D498,475 S	11/2004	Byun
D462,357 S	9/2002	Jenkins		D501,207 S	1/2005	Ohta et al.

* cited by examiner



FIG. 1

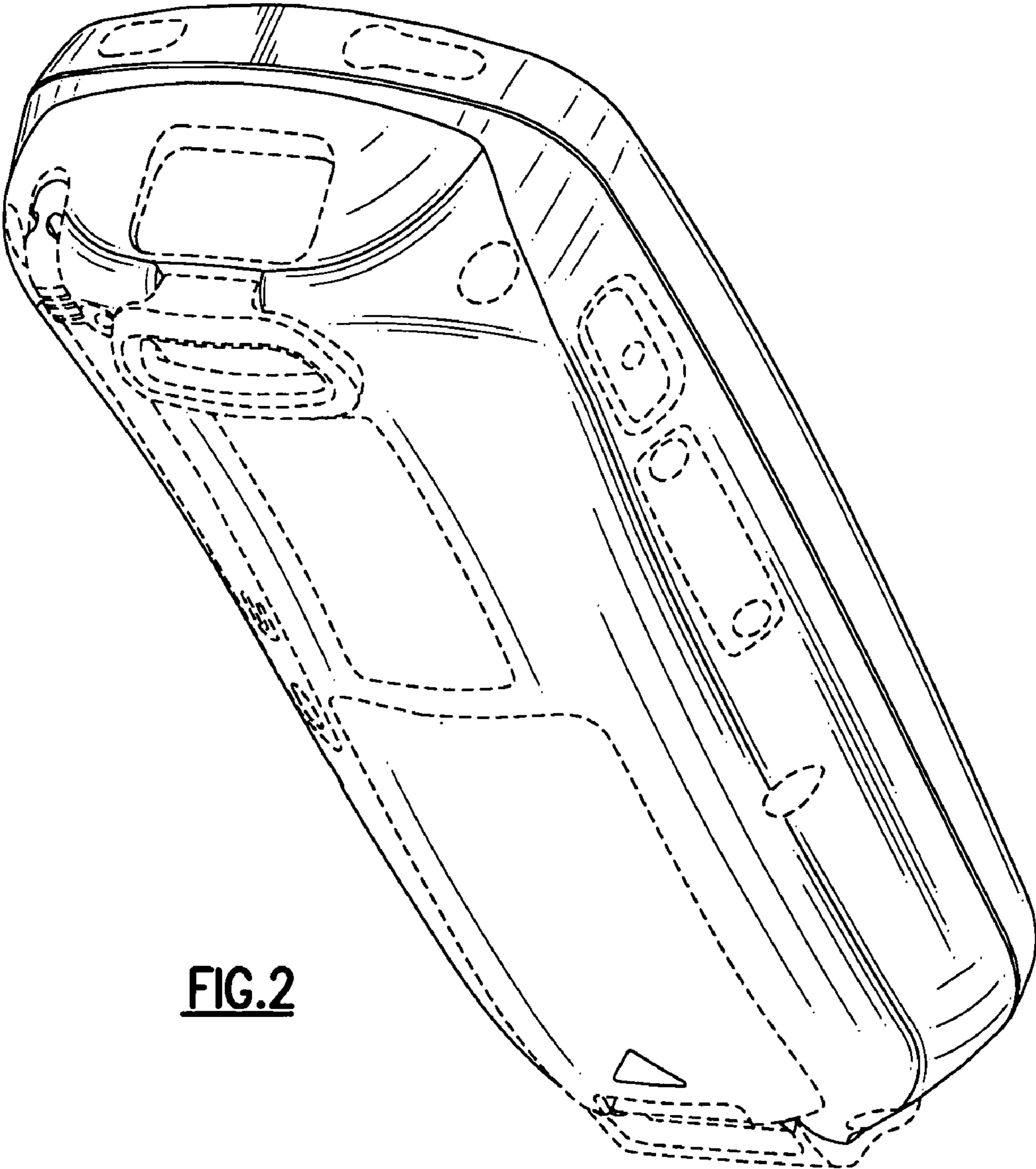


FIG. 2

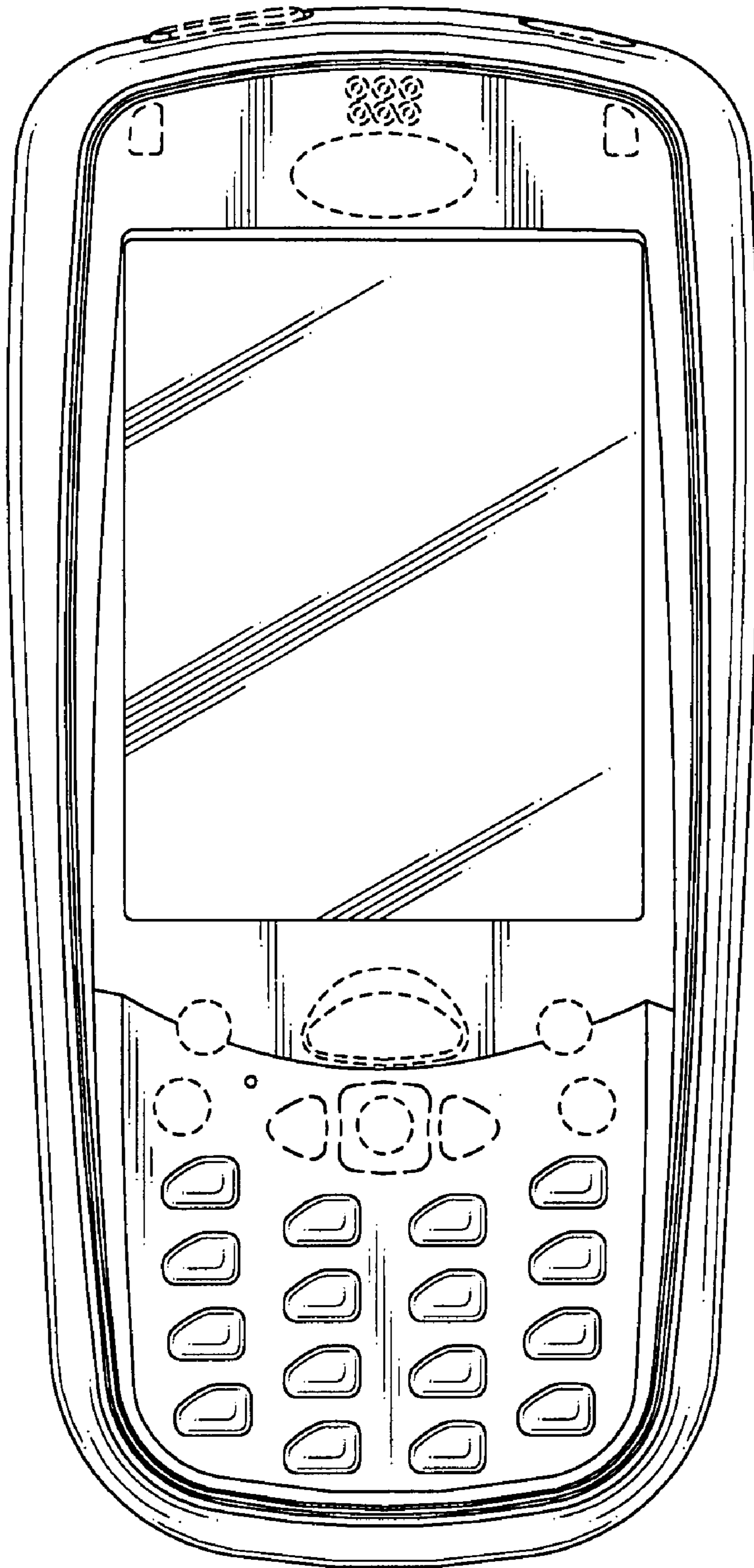


FIG.3

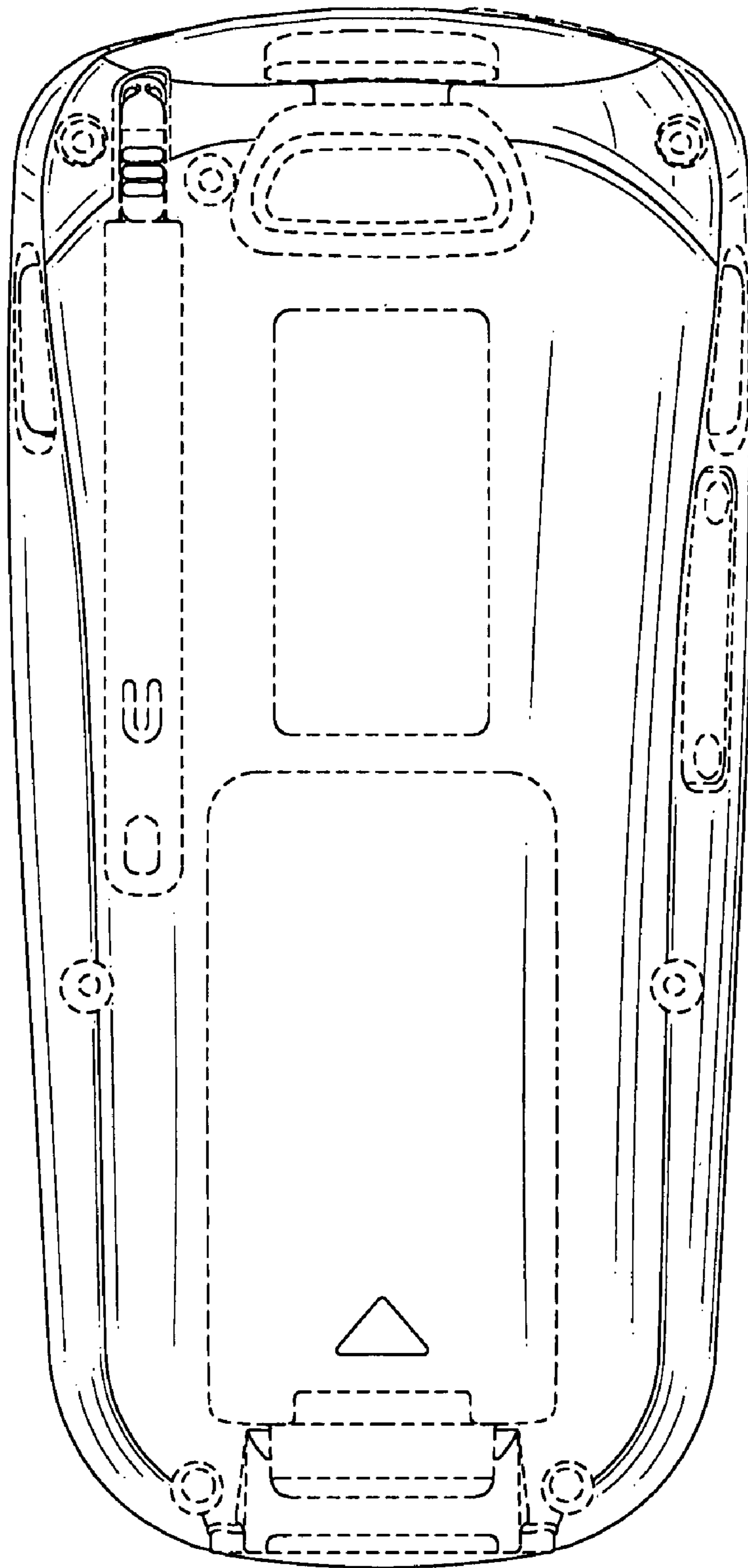


FIG.4

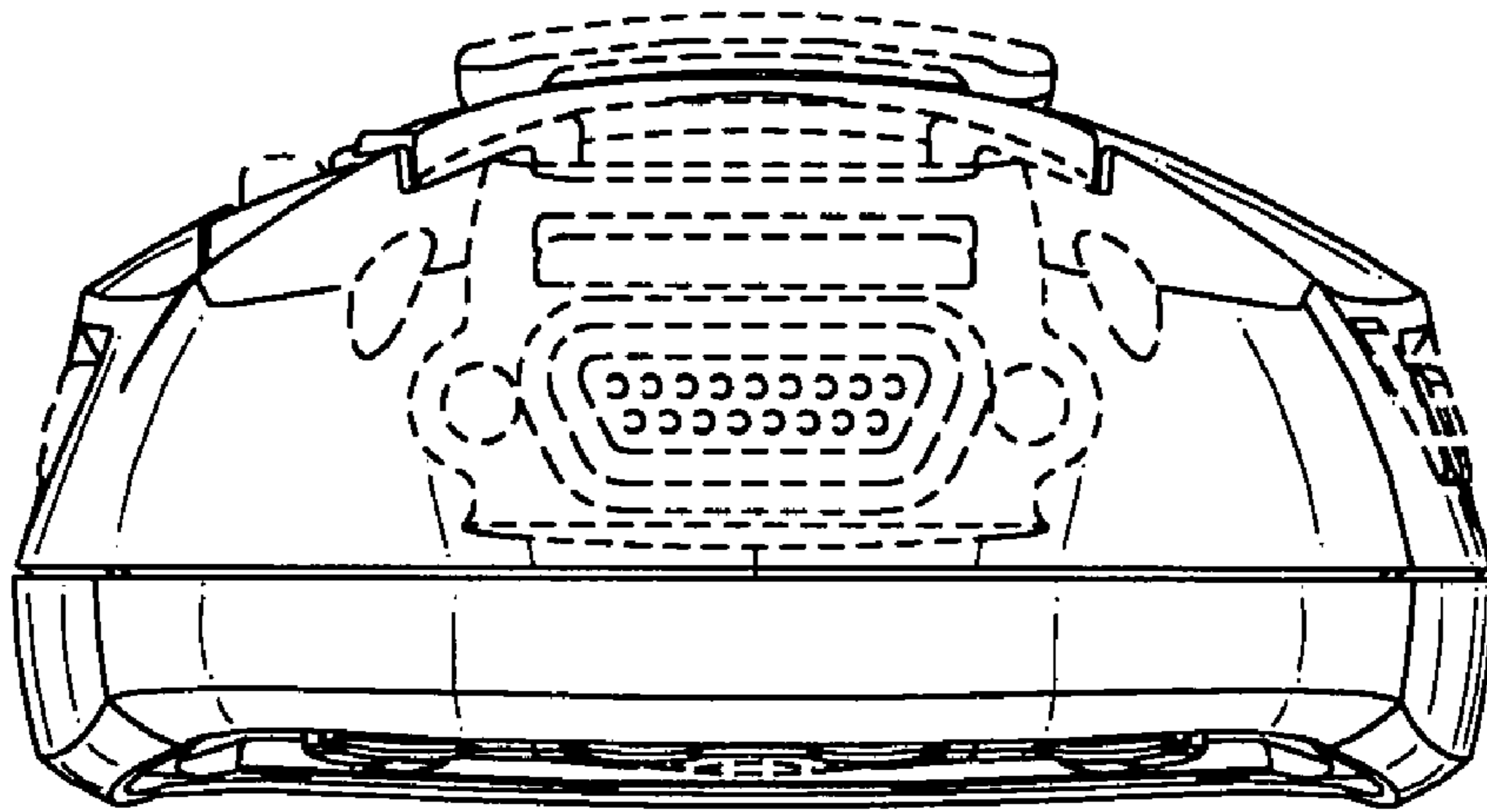


FIG. 5

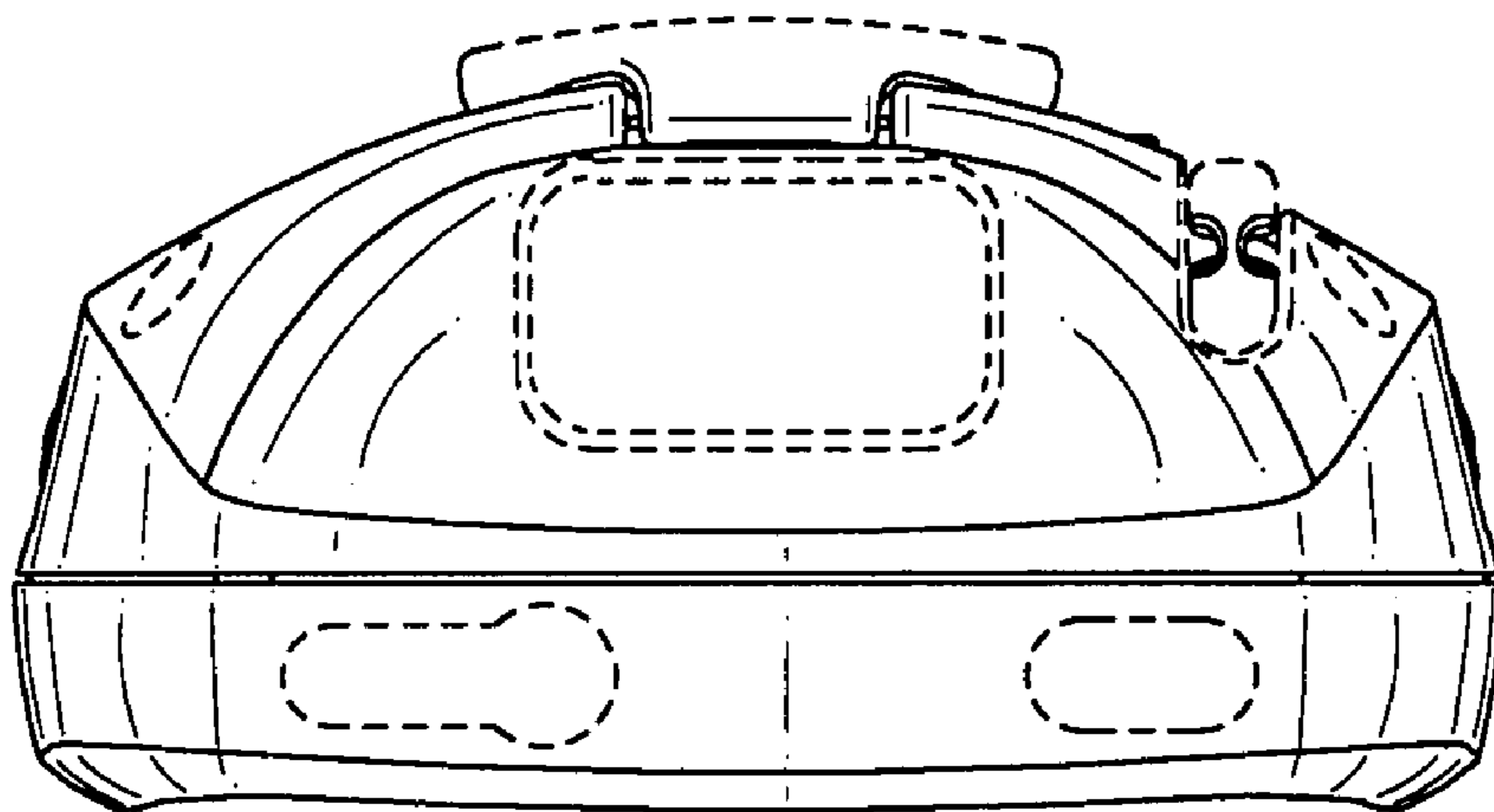


FIG. 6

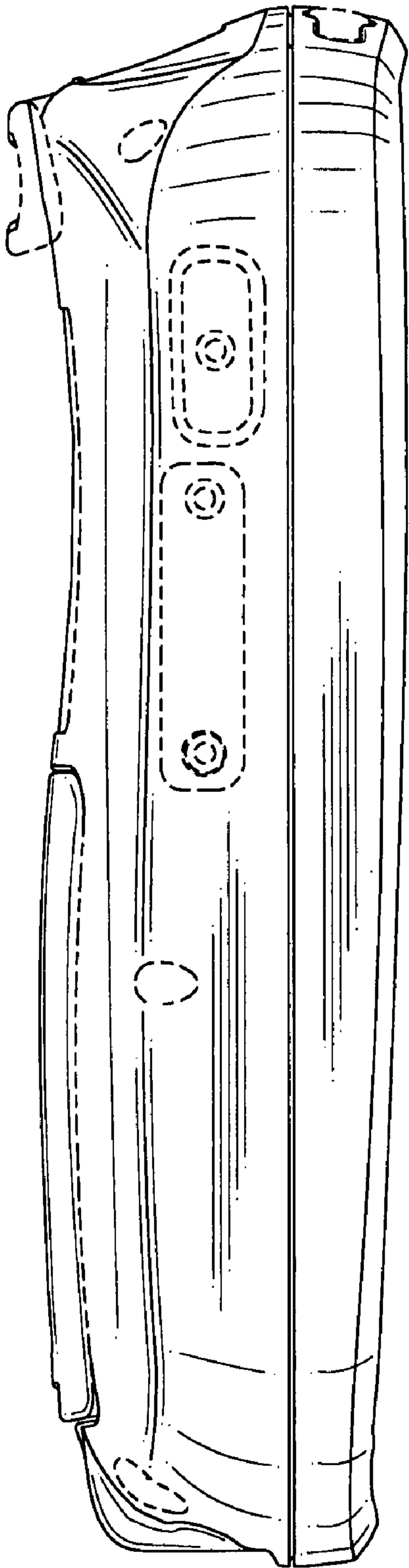


FIG.7

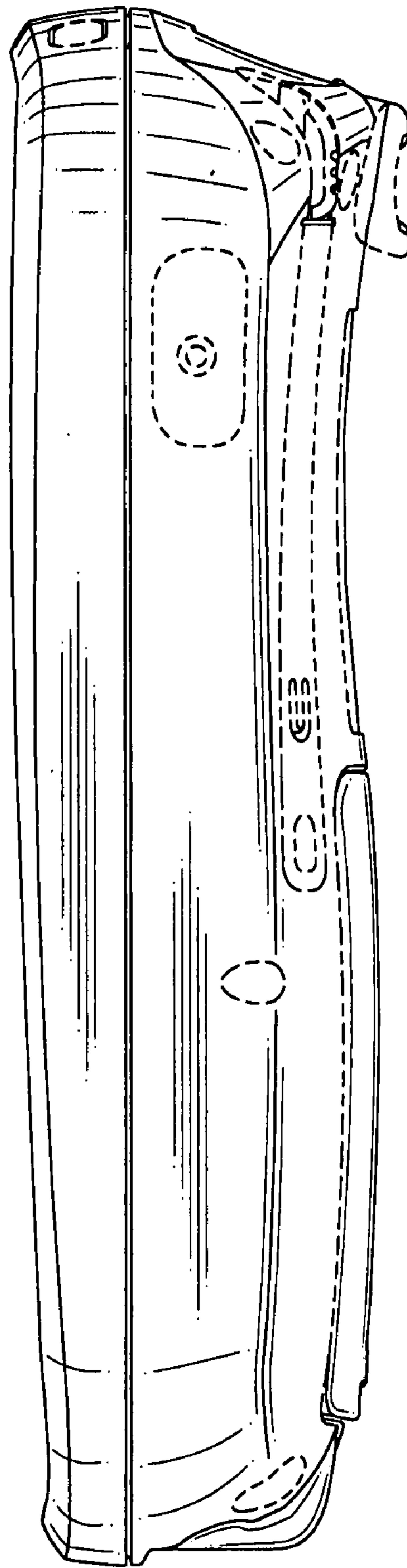


FIG.8