

US00D558751S

(12) **United States Design Patent** (10) **Patent No.:** **US D558,751 S**  
**Chen** (45) **Date of Patent:** **\*\* Jan. 1, 2008**

(54) **DISK LOADING DEVICE FOR PLAYER**

(75) Inventor: **Yuta Chen**, Hong Kong (CN)

(73) Assignee: **Valley Wood Limited**, Shatin, N.T.,  
Hong Kong (CN)

(\*\*) Term: **14 Years**

(21) Appl. No.: **29/206,105**

(22) Filed: **May 25, 2004**

(30) **Foreign Application Priority Data**

Jan. 20, 2004 (CN) ..... 2004 3 0036688

(51) **LOC (8) Cl.** ..... **14-03**

(52) **U.S. Cl.** ..... **D14/260.1**

(58) **Field of Classification Search** ..... D14/445,  
D14/260.1, 258, 257, 224, 217, 198, 197,  
D14/196, 195, 194, 193, 192, 188, 168, 167,  
D14/156, 136, 191, 157, 367; 720/720, 706,  
720/685; 369/264

See application file for complete search history.

(56) **References Cited**

**U.S. PATENT DOCUMENTS**

4,759,008	A *	7/1988	Hirano et al. ....	720/607
5,140,579	A *	8/1992	Suzuki et al. ....	720/611
D385,883	S *	11/1997	Takashina et al. ....	D14/367
D389,150	S *	1/1998	Tanaka .....	D14/367
5,864,529	A *	1/1999	Liao et al. ....	720/604
D434,023	S *	11/2000	Tsuyuguchi et al. ....	D14/156
6,208,606	B1 *	3/2001	Saito .....	720/609
D481,034	S *	10/2003	Okano et al. ....	D14/260.1
6,741,536	B1 *	5/2004	Ariyoshi et al. ....	720/635
2001/0012260	A1 *	8/2001	Tamiya et al. ....	369/192

2001/0012261	A1 *	8/2001	Kim et al. ....	369/219
2001/0017840	A1 *	8/2001	Sohn .....	369/264
2002/0122371	A1 *	9/2002	Watanabe et al. ....	369/75.1
2003/0107983	A1 *	6/2003	Kim et al. ....	369/270
2003/0128645	A1 *	7/2003	Cho et al. ....	369/75.1
2003/0179695	A1 *	9/2003	Murata .....	369/289
2003/0193873	A1 *	10/2003	Kagawa .....	369/75.2
2003/0202446	A1 *	10/2003	Sato et al. ....	369/75.1
2003/0227856	A1 *	12/2003	Kim et al. ....	369/77.1
2003/0235131	A1 *	12/2003	Kim et al. ....	369/77.1
2004/0022160	A1 *	2/2004	Takai et al. ....	369/77.1
2004/0107429	A1 *	6/2004	Kuo et al. ....	720/706
2004/0158844	A1 *	8/2004	Ohta et al. ....	720/603
2004/0218482	A1 *	11/2004	Murakami .....	369/30.63
2004/0244017	A1 *	12/2004	Hisatomi .....	720/601
2005/0010942	A1 *	1/2005	Kim et al. ....	720/706

\* cited by examiner

*Primary Examiner*—Cathron C. Brooks

*Assistant Examiner*—Austin Murphy

(74) *Attorney, Agent, or Firm*—Raymond Y. Chan; David  
and Raymond Patent Group

(57) **CLAIM**

The ornamental design for a disk loading device for player,  
as shown.

**DESCRIPTION**

FIG. 1 is a front view showing my new design.

FIG. 2 is a rear view thereof.

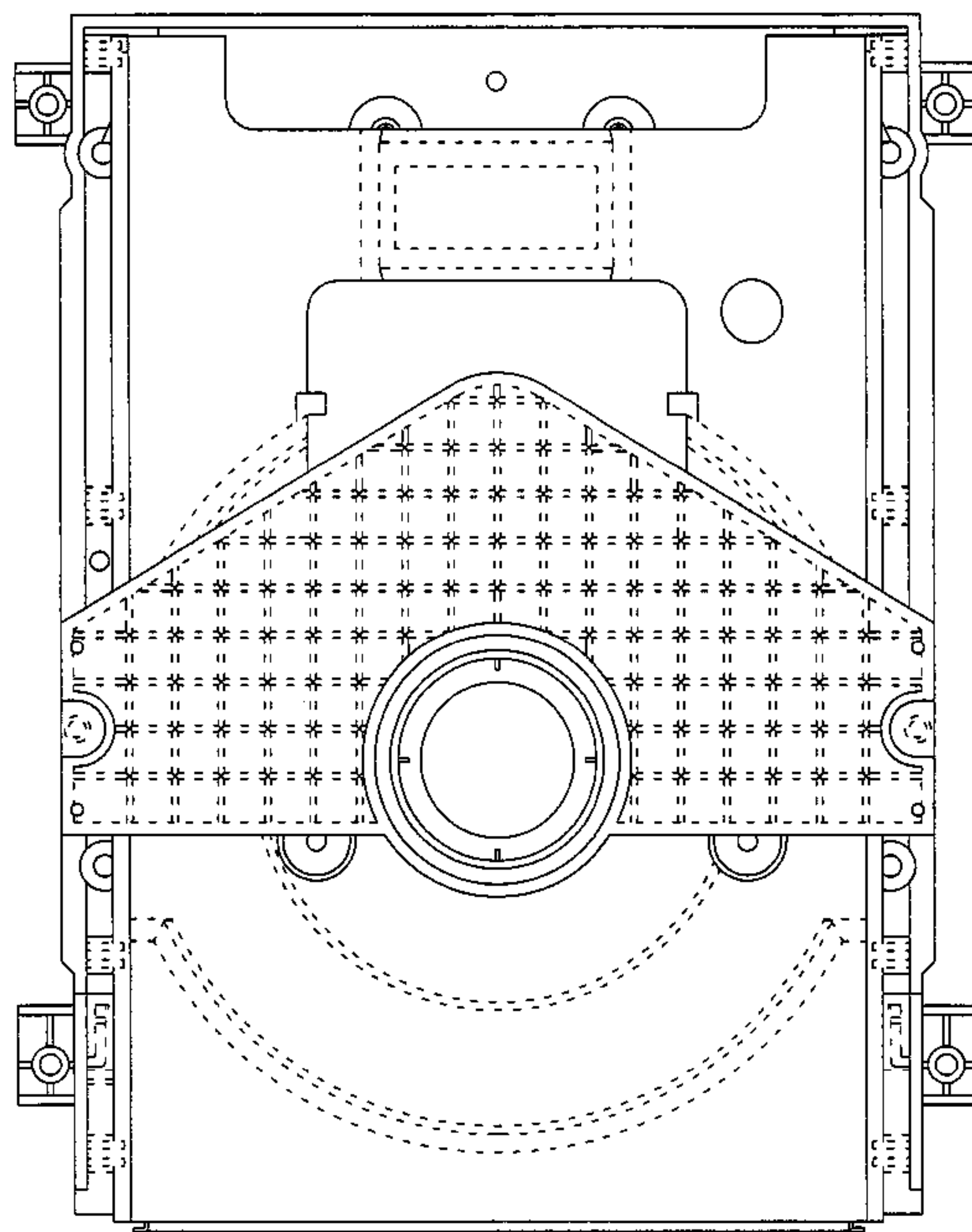
FIG. 3 is a left end view thereof

FIG. 4 is a right end view thereof.

FIG. 5 is a top view thereof; and,

FIG. 6 is a bottom view thereof.

**1 Claim, 6 Drawing Sheets**



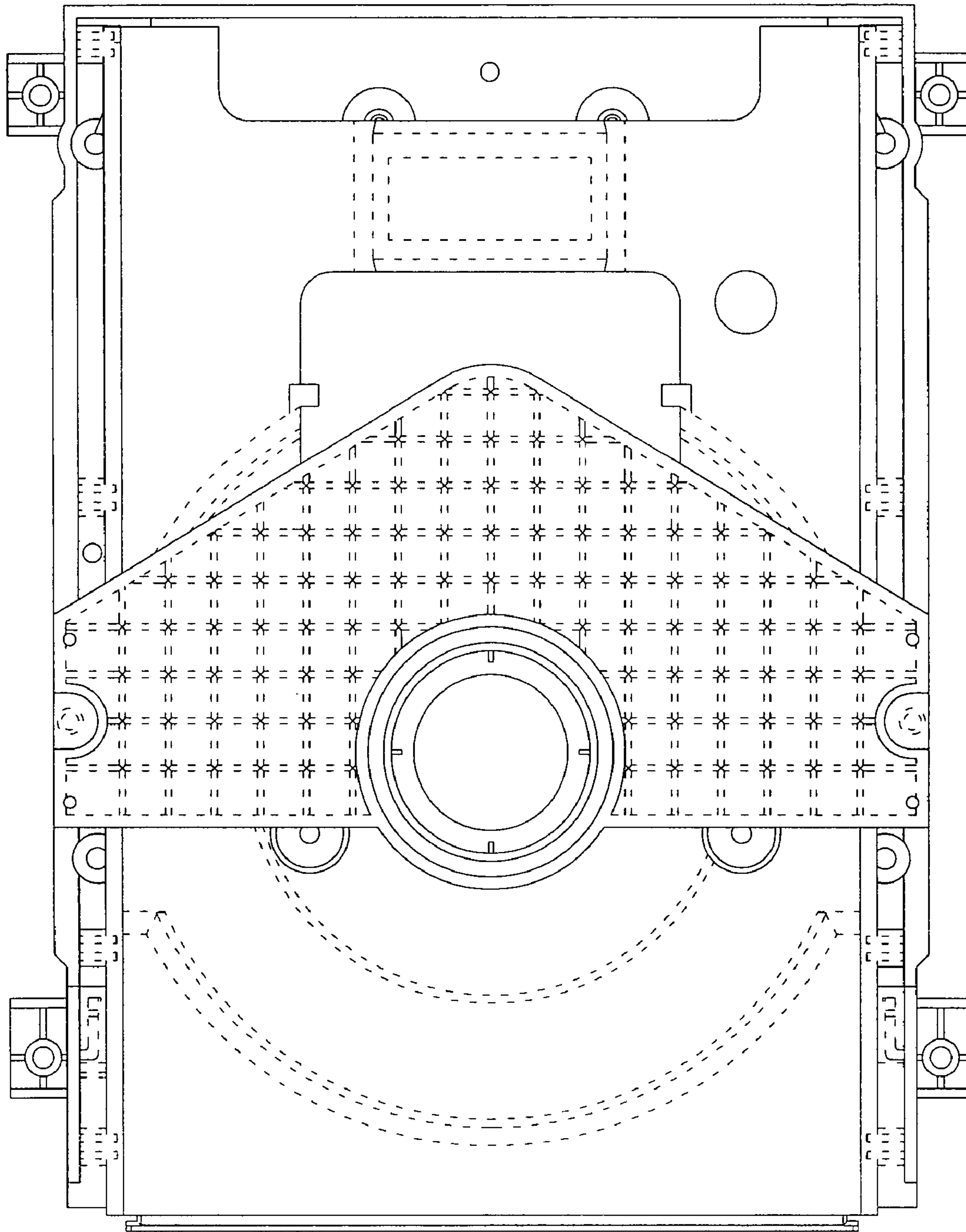


FIG. 1

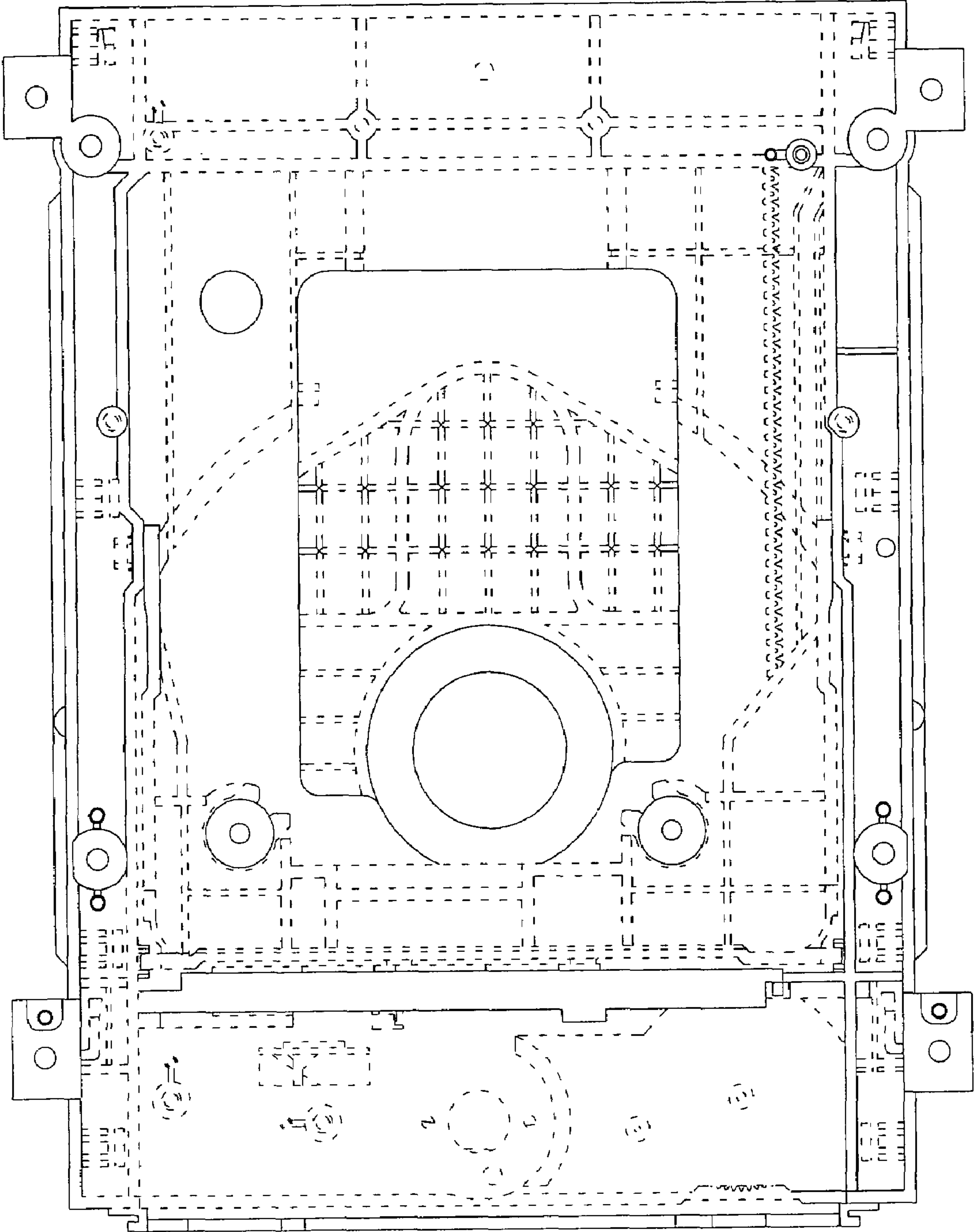


FIG.2

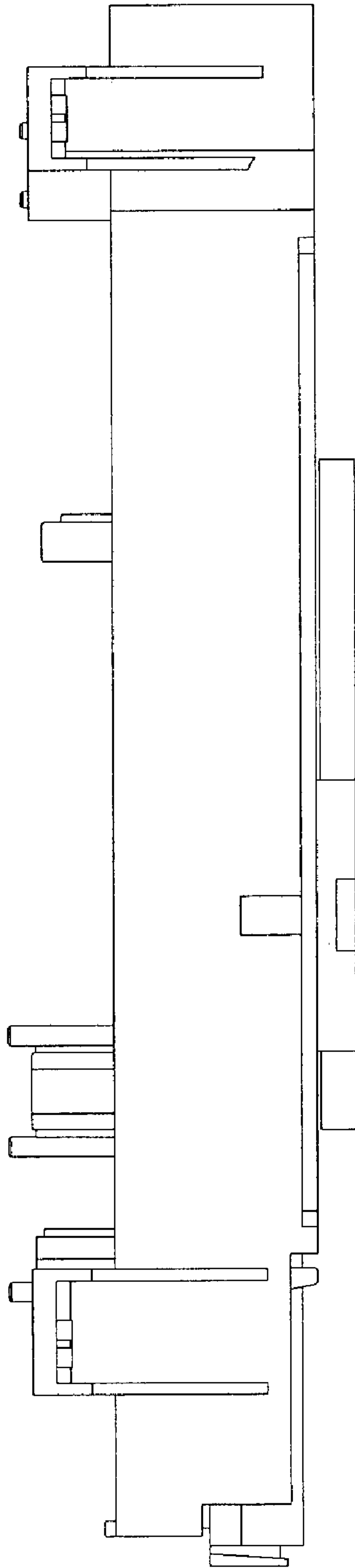


FIG.3

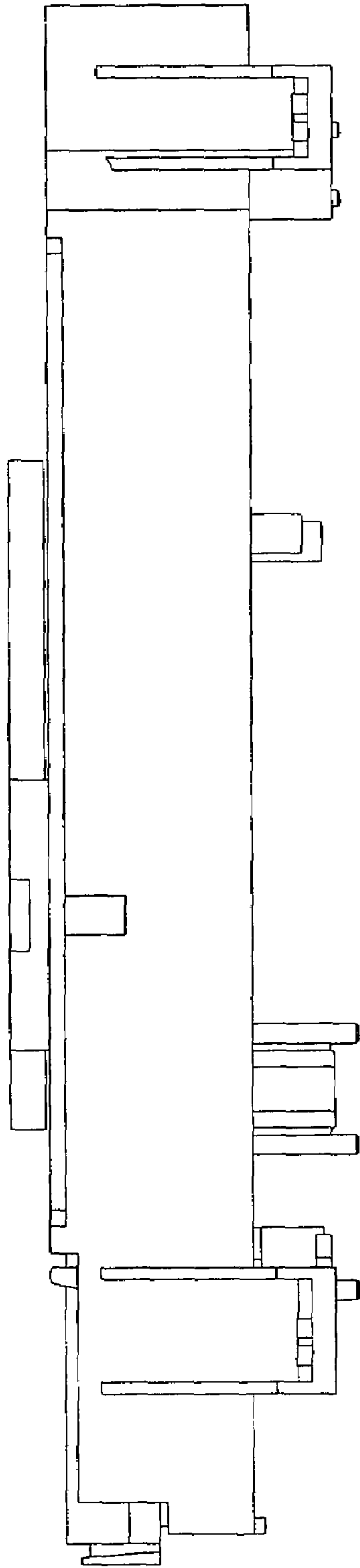


FIG.4

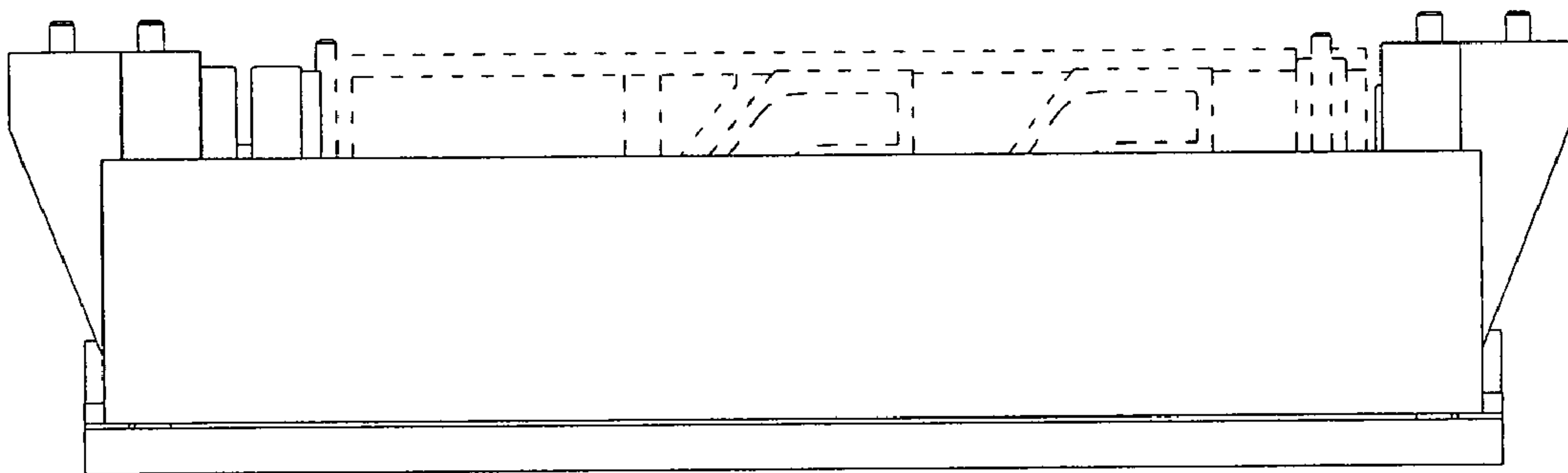


FIG. 5

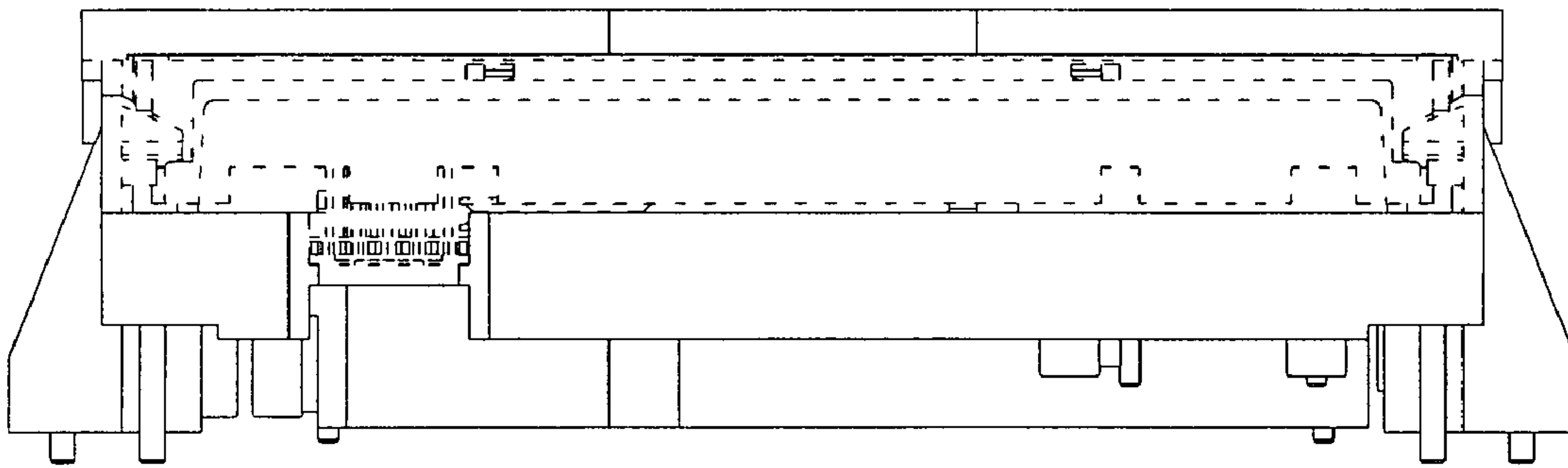


FIG.6