



US00D558749S

(12) **United States Design Patent**
Furuno et al.

(10) **Patent No.:** **US D558,749 S**
(45) **Date of Patent:** **** Jan. 1, 2008**

(54) **TELEPHONE BASE UNIT**
(75) Inventors: **Masashi Furuno**, Kadoma (JP);
Hideaki Sakamoto, Kadoma (JP)
(73) Assignee: **Matsushita Electric Industrial Co., Ltd.**, Osaka (JP)

D385,558 S 10/1997 Liu
5,946,637 A * 8/1999 Umbach et al. 455/573
D414,490 S * 9/1999 Heinen et al. D14/148
6,130,521 A * 10/2000 Collins et al. 379/454
D472,538 S * 4/2003 Chan D14/149
D495,312 S 8/2004 Fitzgerald
D503,700 S * 4/2005 Mamero D14/149

(**) Term: **14 Years**
(21) Appl. No.: **29/264,075**
(22) Filed: **Aug. 3, 2006**

* cited by examiner
Primary Examiner—Terry A Wallace
(74) *Attorney, Agent, or Firm*—Brinks Hofer Gilson & Lione

(51) **LOC (8) Cl.** **14-03**
(52) **U.S. Cl.** **D14/253**; D14/149; D13/107
(58) **Field of Classification Search** D14/142,
D14/447, 251–253, 146, 149, 434; 248/160,
248/206.2, 274.1; 379/419, 426, 430, 446,
379/448; 455/90.3, 575.1, 575.2, 575.6,
455/575.9

(57) **CLAIM**
We claim the ornamental design for a telephone base unit, as shown and described.

See application file for complete search history.

DESCRIPTION

FIG. 1 is a top perspective view of a telephone base unit of the present invention;
FIG. 2 is a front view thereof;
FIG. 3 is a first side view thereof;
FIG. 4 is a second side view thereof;
FIG. 5 is a top view thereof;
FIG. 6 is a bottom view thereof; and,
FIG. 7 is a rear view thereof.

(56) **References Cited**
U.S. PATENT DOCUMENTS
4,979,205 A * 12/1990 Haraguchi et al. 455/411
D317,449 S 6/1991 Kanatani et al.
D334,748 S 4/1993 Roegner
D345,728 S * 4/1994 Tyneski et al. D13/108
D367,651 S * 3/1996 Hellier et al. D14/149
D381,656 S 7/1997 Biskup et al.

1 Claim, 4 Drawing Sheets

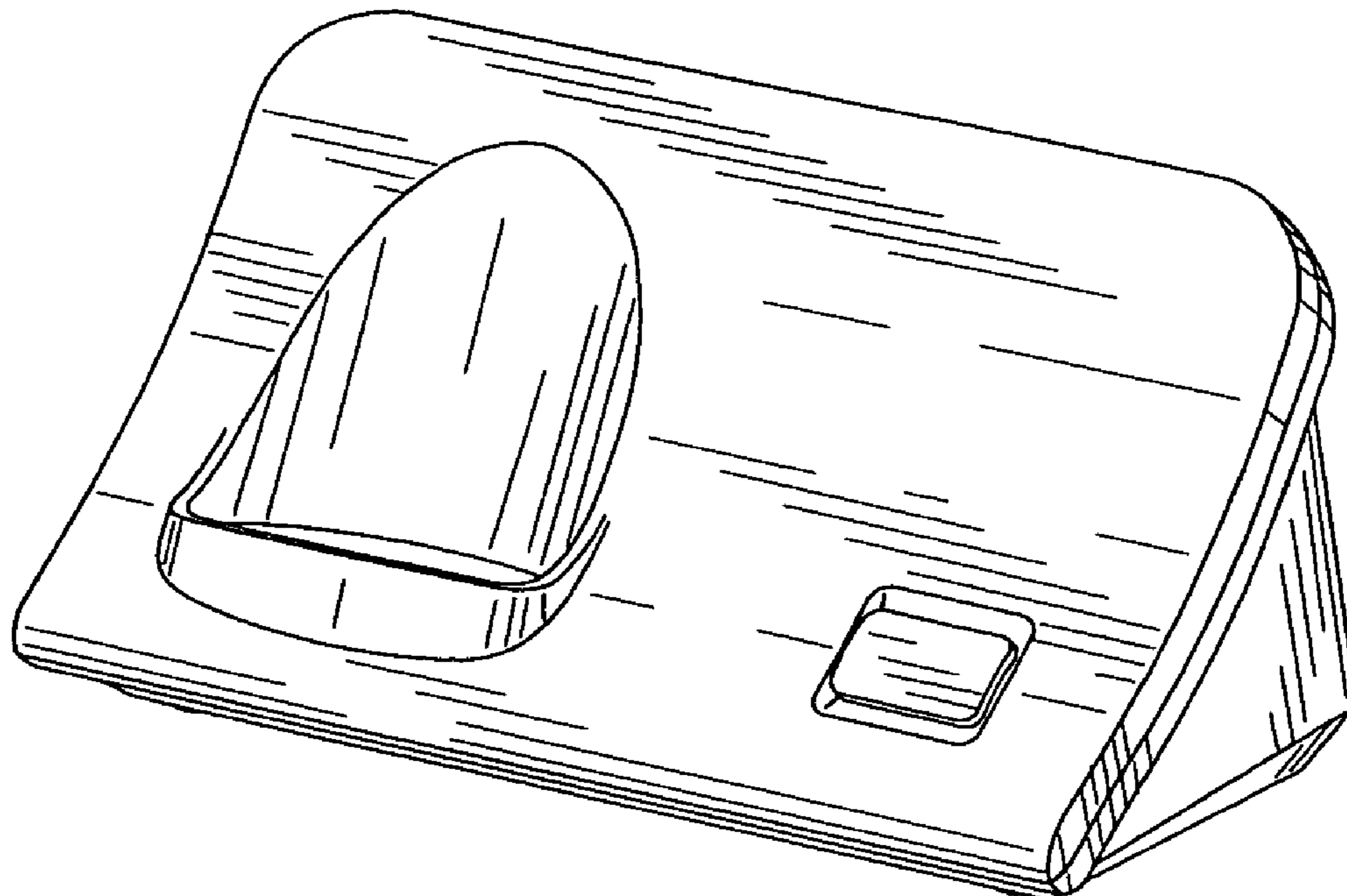


FIG.1

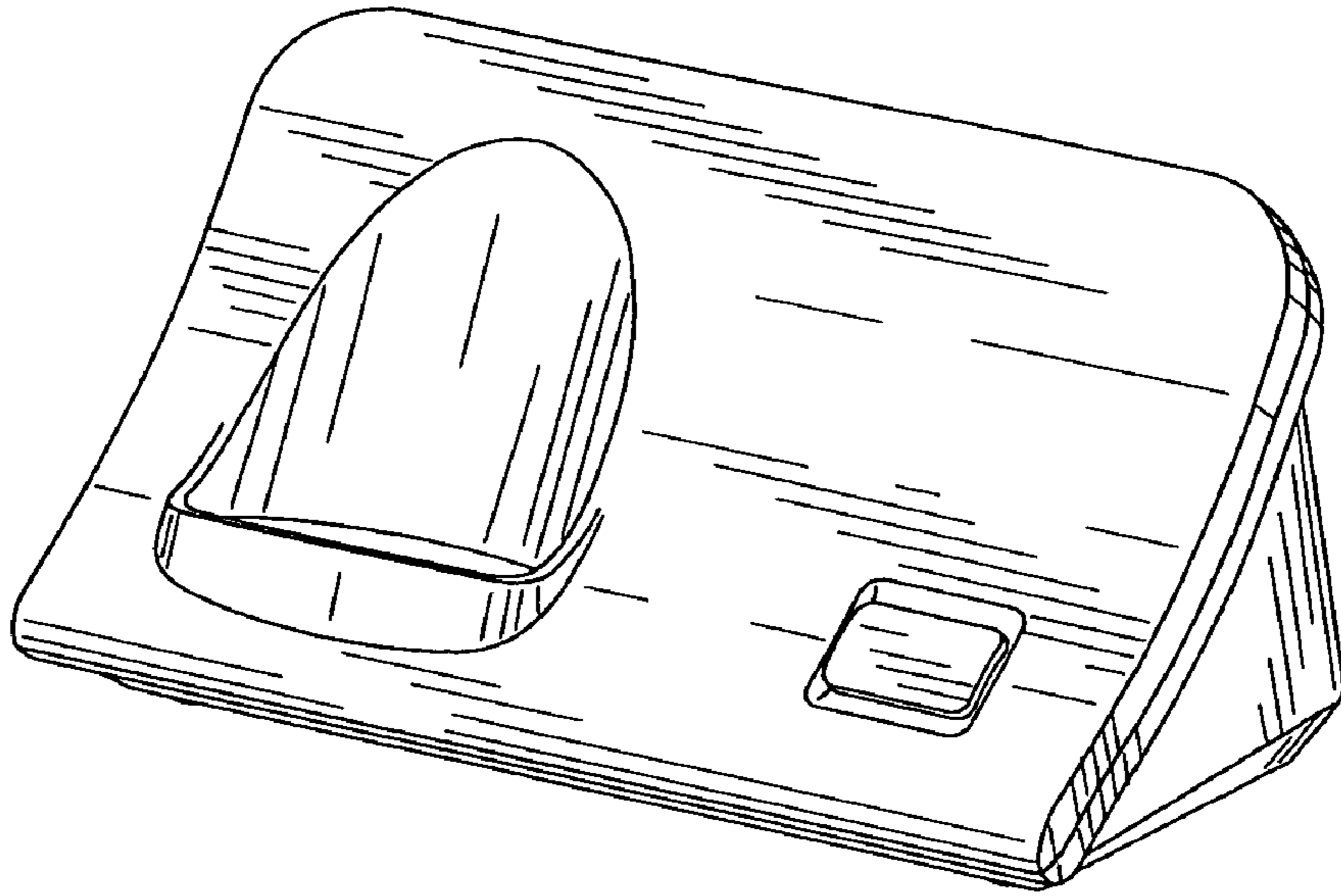


FIG.2

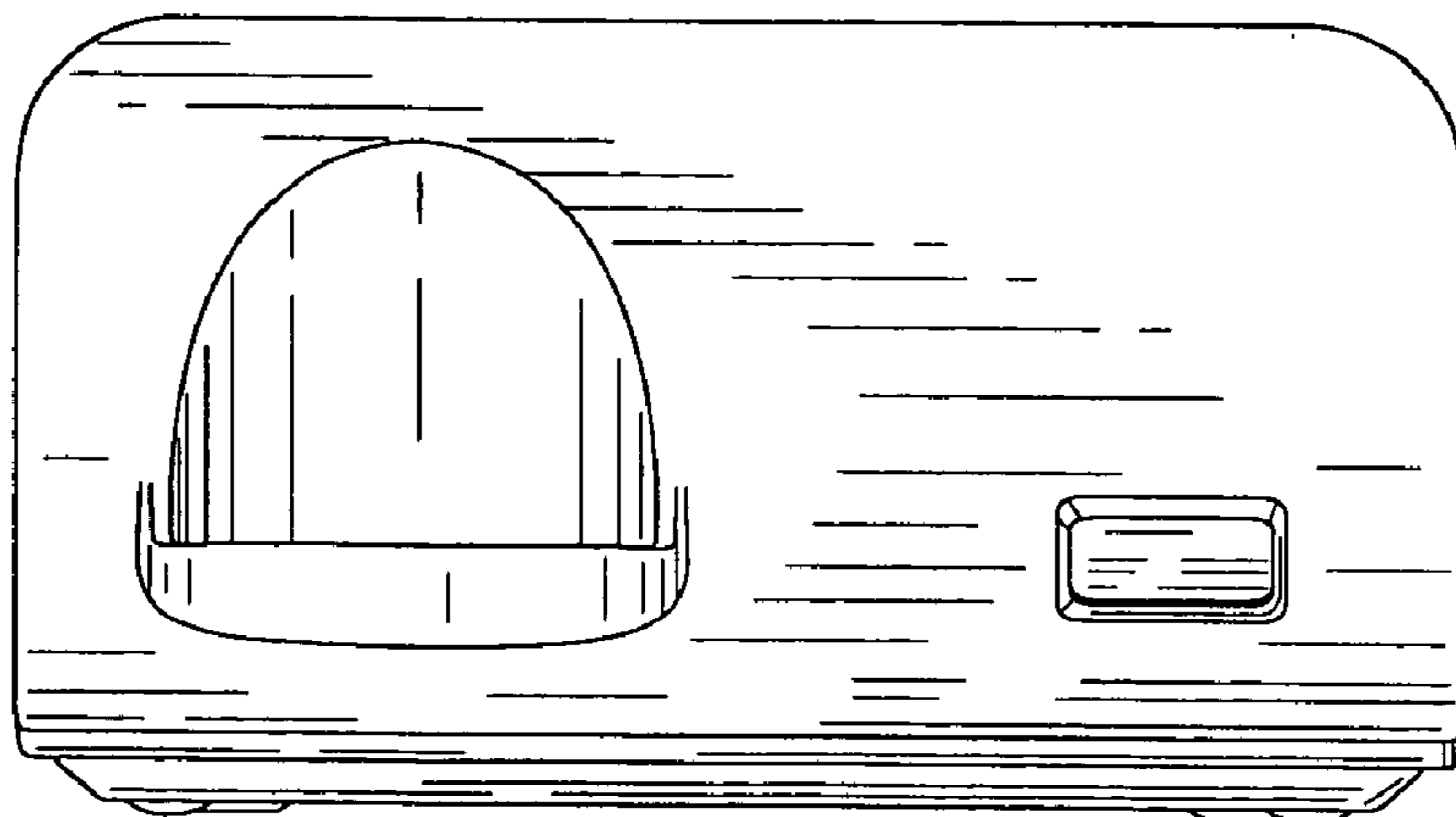


FIG.3

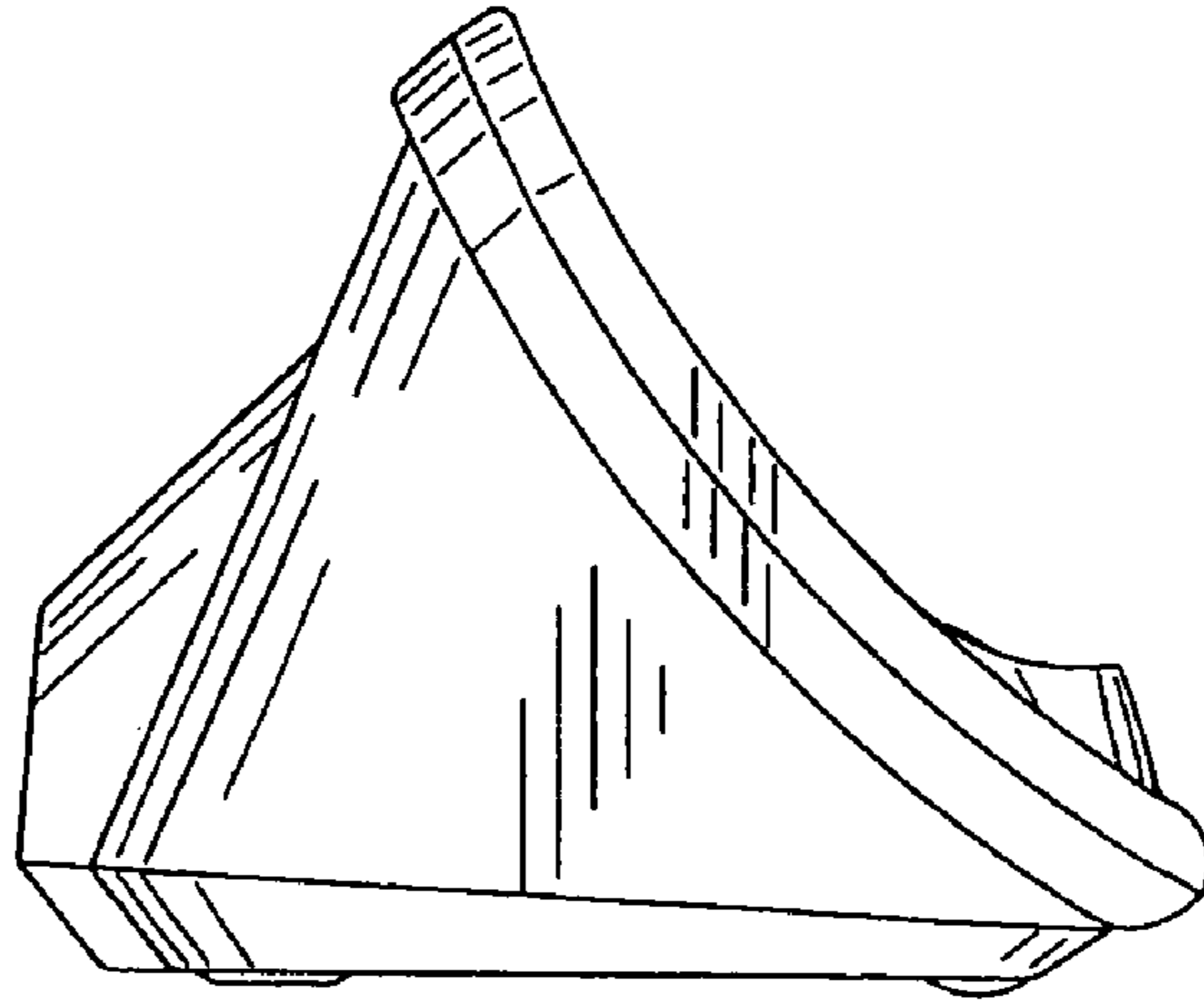


FIG.4

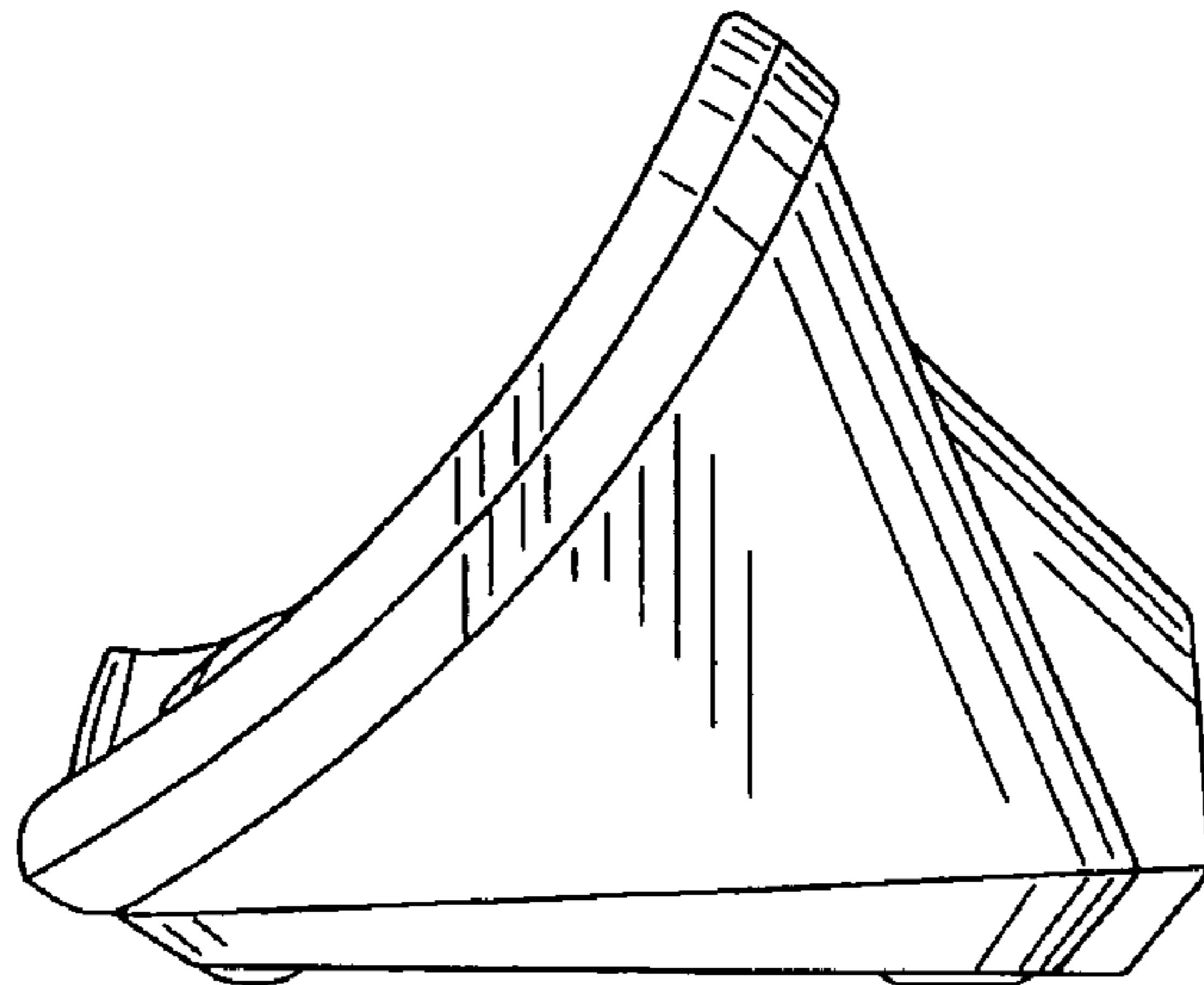


FIG.5

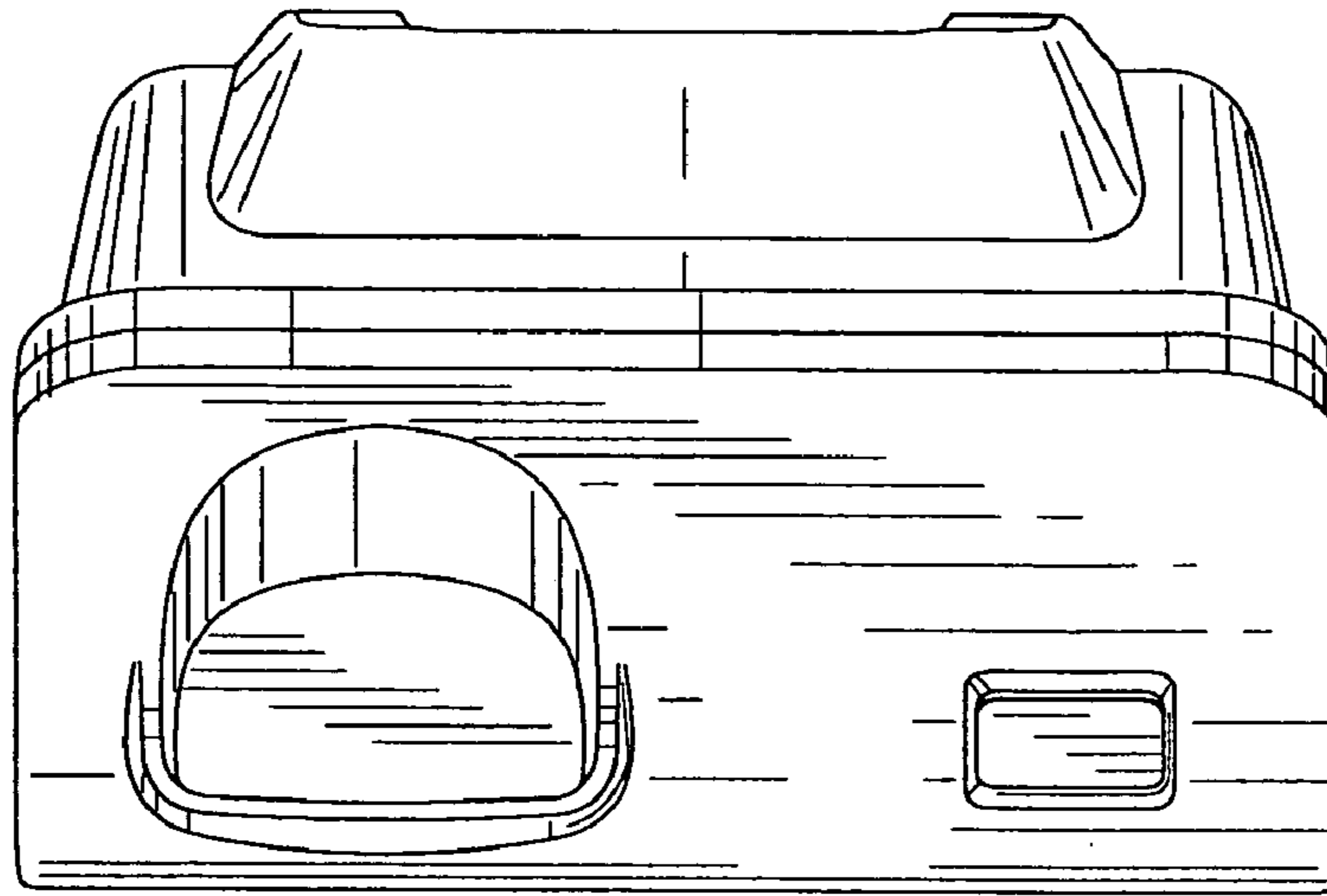


FIG.6

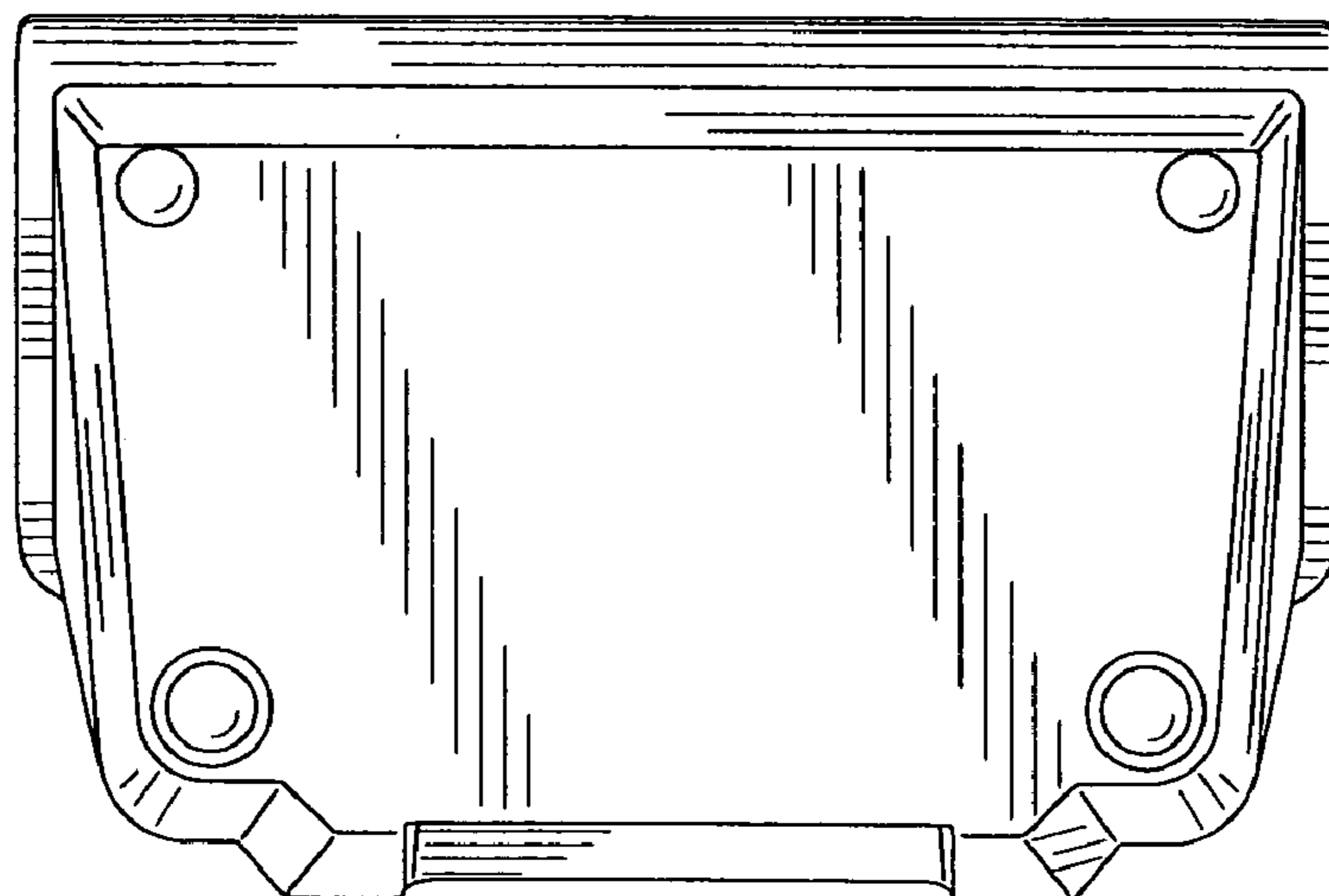


FIG. 7

