



US00D558743S

(12) **United States Design Patent**
Isshiki

(10) **Patent No.:** **US D558,743 S**
(45) **Date of Patent:** **** Jan. 1, 2008**

(54) **PORTION OF A TELEVISION SET**

D529,881 S 10/2006 Honda

(75) Inventor: **Masao Isshiki**, Kawasaki (JP)

FOREIGN PATENT DOCUMENTS

(73) Assignee: **Kabushiki Kaisha Toshiba** (JP)

JP	D1127085	11/2001
JP	D1176217	6/2003
JP	D1183276	8/2003
JP	D1215195	8/2004

(**) Term: **14 Years**

(21) Appl. No.: **29/267,966**

OTHER PUBLICATIONS

(22) Filed: **Oct. 26, 2006**

B&H Summer 2004 Catalog, pp. 120-123, dated Jun. 2004.

(30) **Foreign Application Priority Data**

* cited by examiner

Sep. 11, 2006 (JP) 2006-024175

Primary Examiner—Raphael Barkai

Assistant Examiner—Randall H Gholson

(51) **LOC (8) Cl.** **14-03**

(74) *Attorney, Agent, or Firm*—Banner & Witcoff, Ltd.

(52) **U.S. Cl.** **D14/239**

(58) **Field of Classification Search** D14/125–135,
D14/239, 379, 371, 374–376, 113, 136, 492,
D14/299, 356, 361–363, 365, 496; D13/151,
D13/153; 312/7.2, 208.1–223.2; 348/836,
348/838, 180, 184, 325, 739, 10, 460; 341/12;
248/917–924; 345/104, 133, 156, 168, 87,
345/173; 349/1, 2, 11, 62; 361/690–696
See application file for complete search history.

(57) **CLAIM**

The ornamental design for a portion of a television set, as shown and described.

(56) **References Cited**

DESCRIPTION

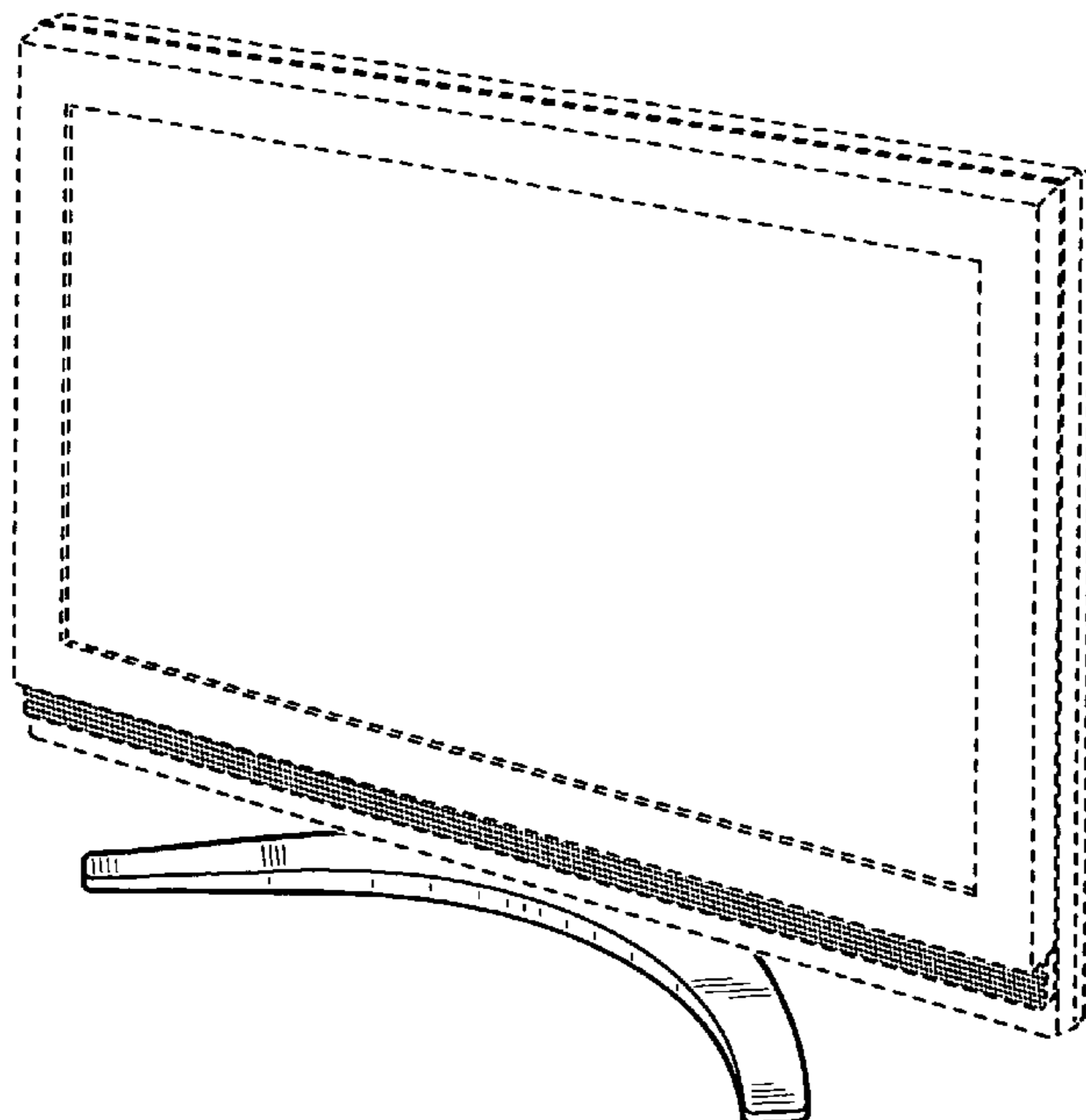
U.S. PATENT DOCUMENTS

D247,748 S *	4/1978	Ebner et al.	D14/376
D439,224 S *	3/2001	Kita	D14/126
D453,747 S *	2/2002	Kita	D14/126
D453,748 S *	2/2002	Kita	D14/134
D473,869 S *	4/2003	Tai	D14/375
D497,352 S	10/2004	Asanuma et al.		
D497,599 S *	10/2004	Kita	D14/126
D503,158 S	3/2005	Asanuma et al.		
D510,730 S	10/2005	Asanuma et al.		

FIG. 1 is a front, top and right side perspective view of a portion of a television set, showing my new design;
FIG. 2 is a front elevational view thereof;
FIG. 3 is a rear elevational view thereof;
FIG. 4 is a top plan view thereof;
FIG. 5 is a bottom plan view thereof;
FIG. 6 is a left side elevational view thereof; and,
FIG. 7 is a right side elevational view thereof.

The broken lines are for illustrative purposes only and form no part of the claimed design.

1 Claim, 5 Drawing Sheets



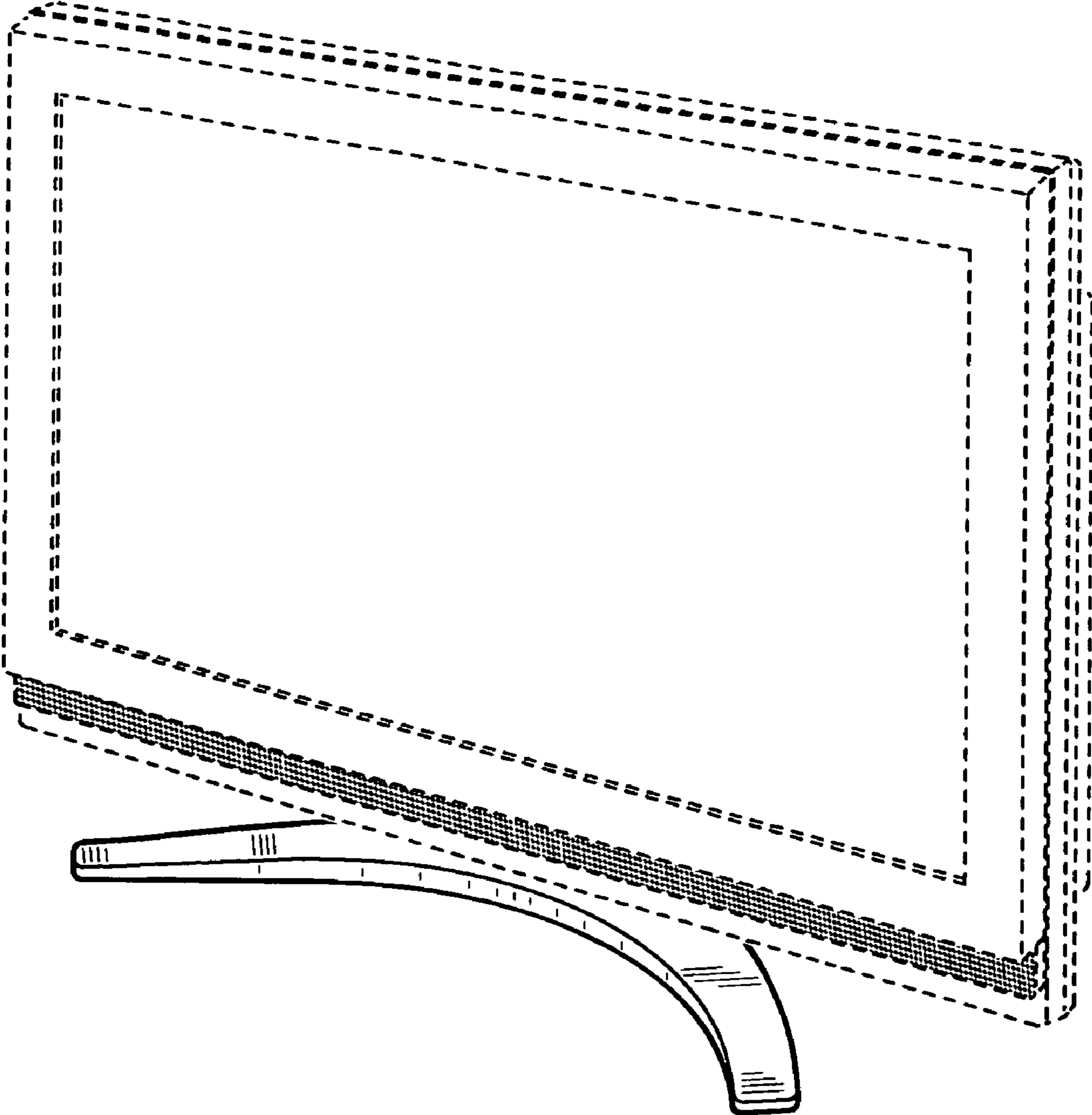


FIG.1

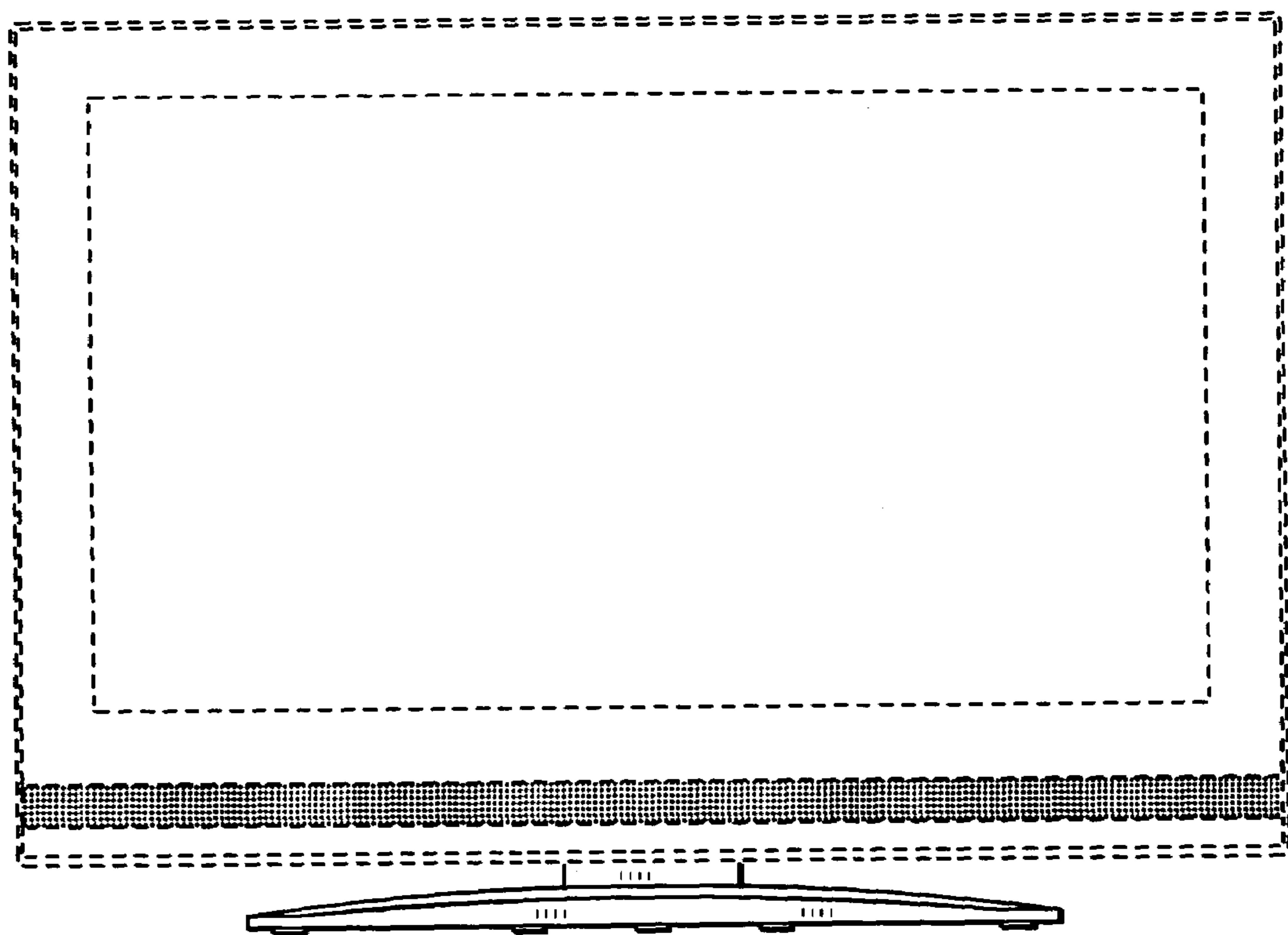


FIG. 2

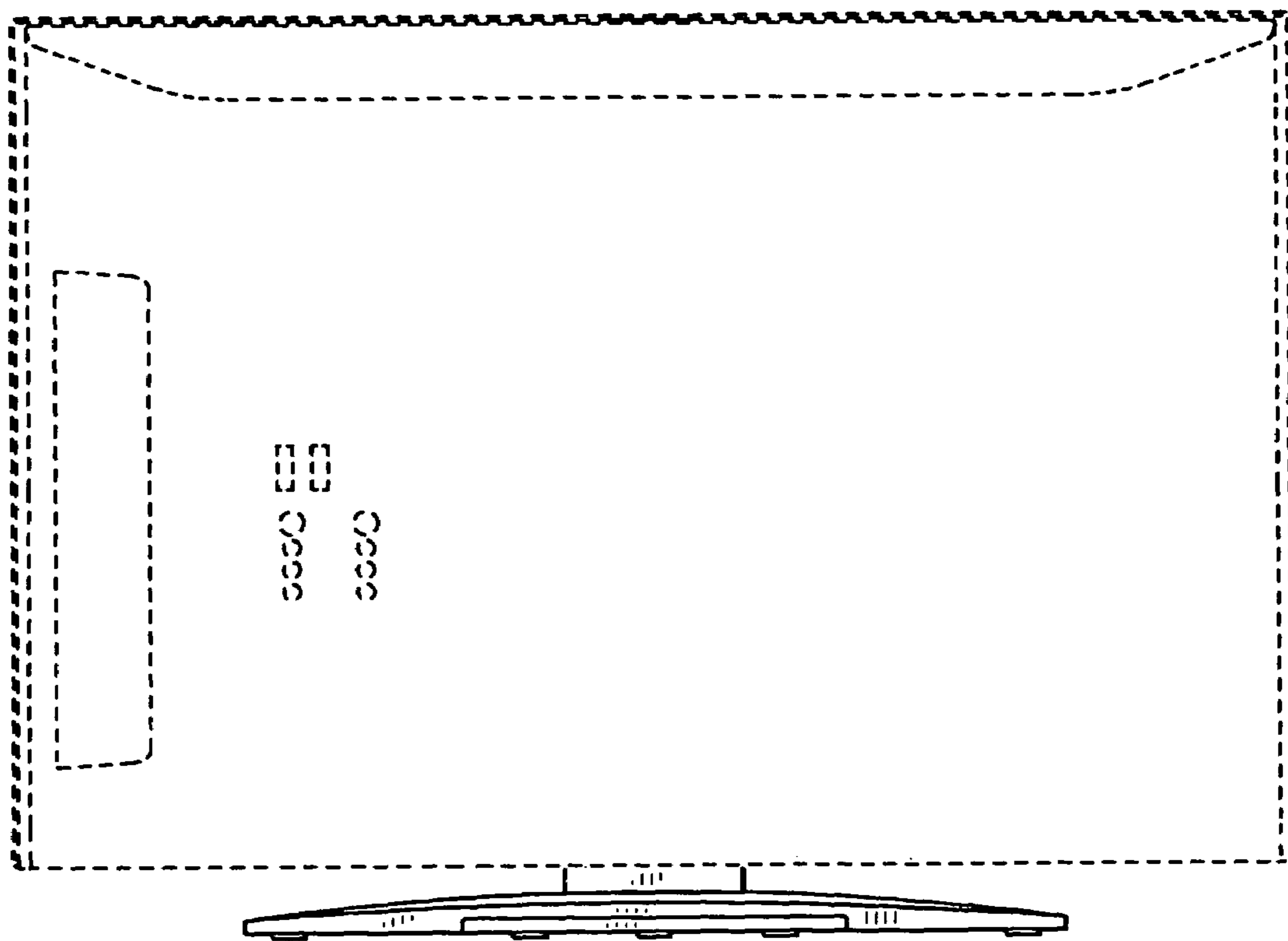


FIG.3

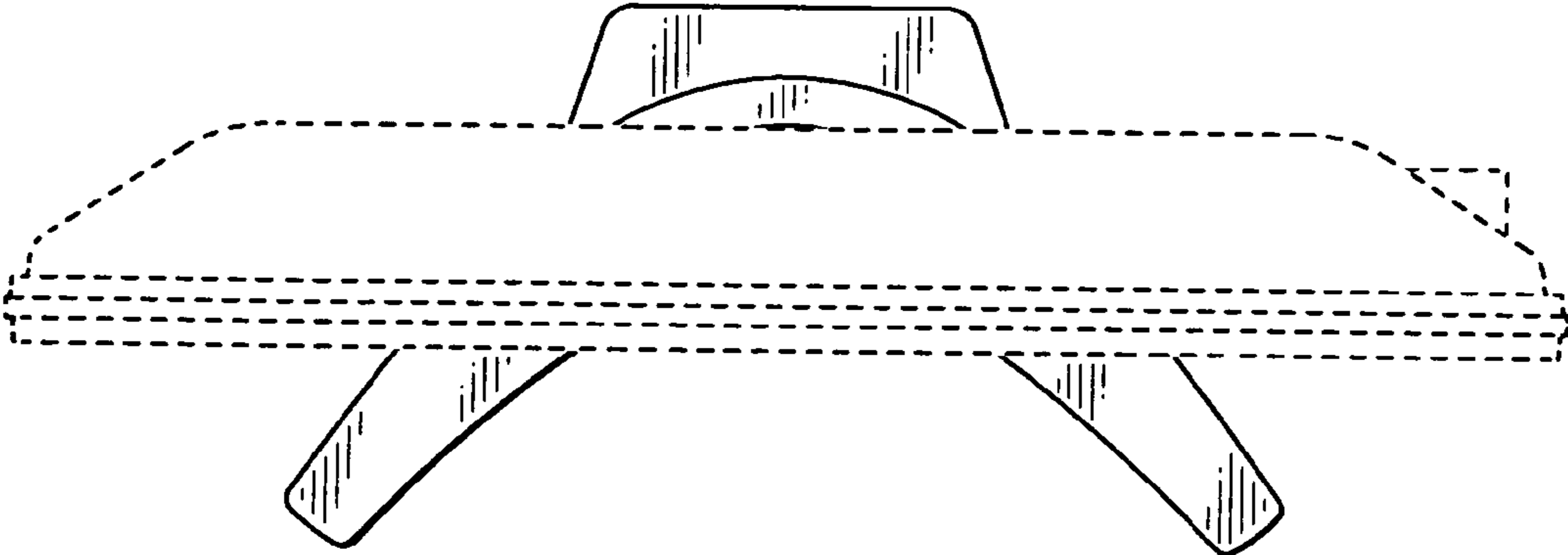


FIG.4

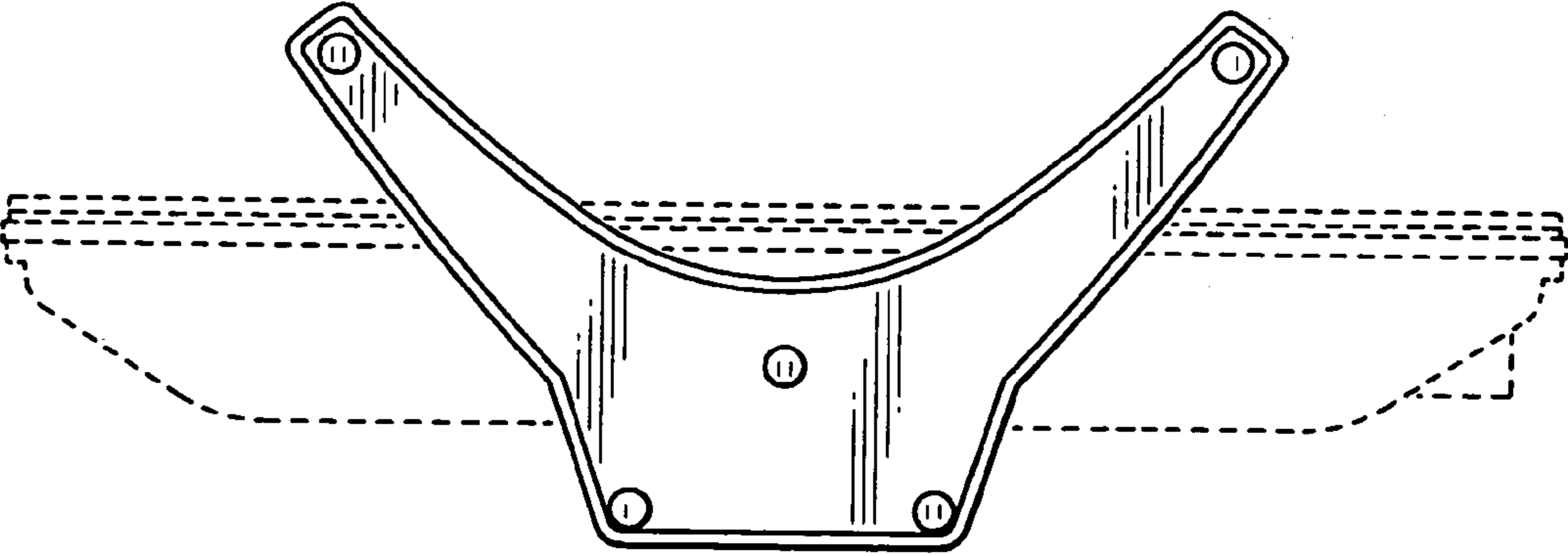


FIG.5

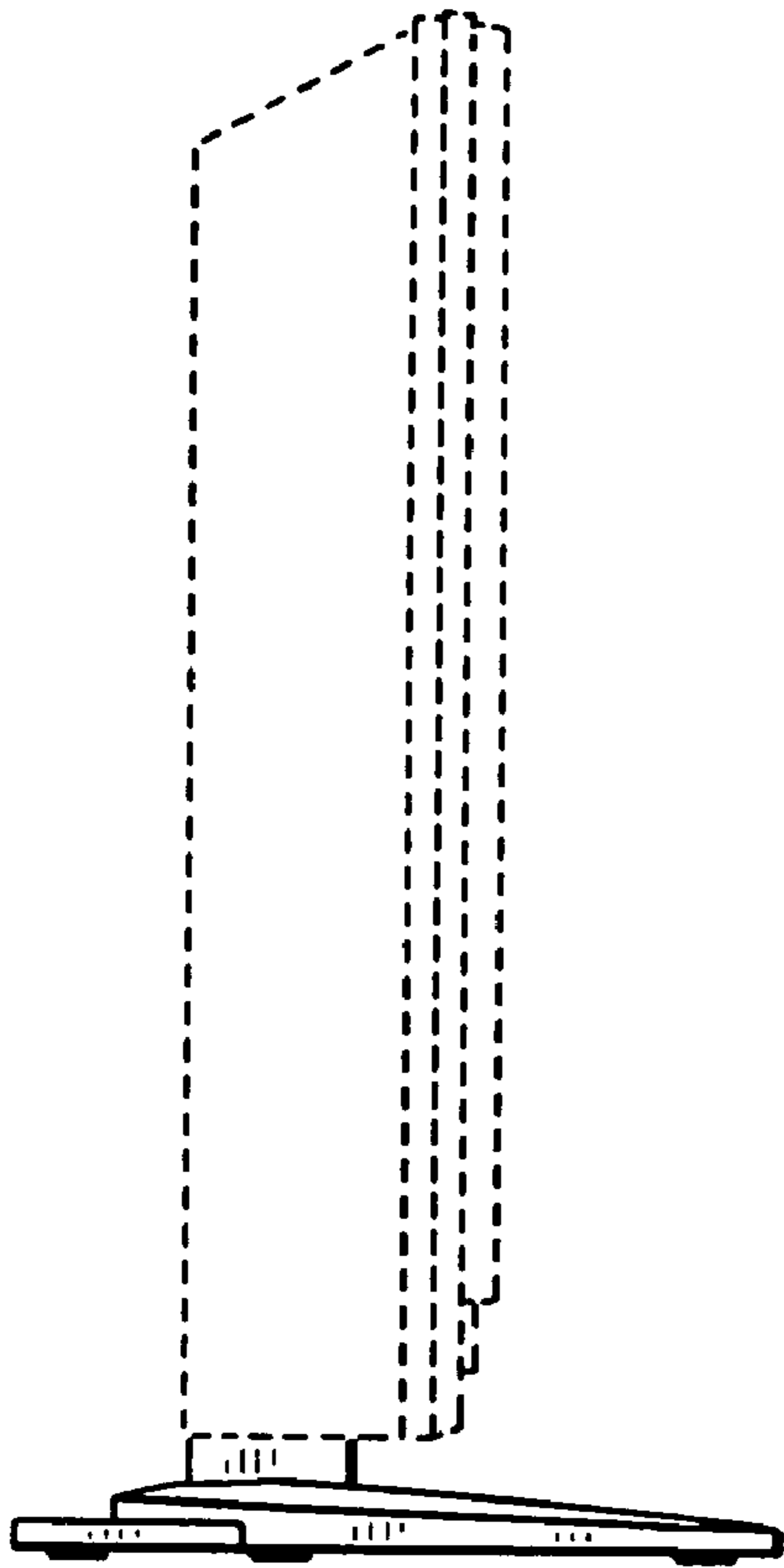


FIG. 6

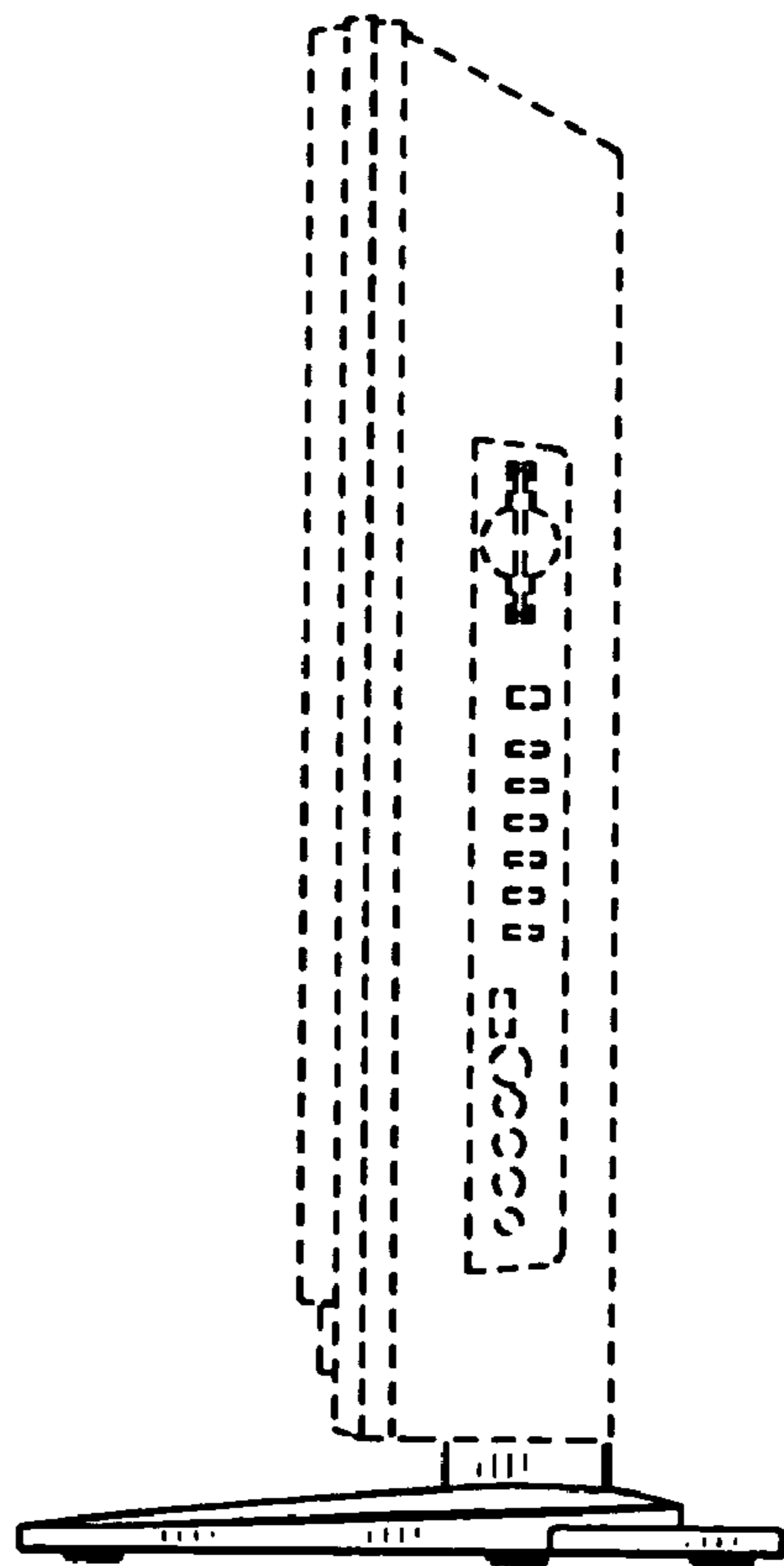


FIG. 7