

US00D558742S

(12) **United States Design Patent**
Koller et al.

(10) **Patent No.:** **US D558,742 S**

(45) **Date of Patent:** **** Jan. 1, 2008**

(54) **WIRELESS MICROPHONE**

(75) Inventors: **Thomas J. Koller**, Beaverton, OR
(US); **Jerry C. Ramey**, Beaverton, OR
(US)

(73) Assignee: **Lightspeed Technologies, Inc.**,
Tualatin, OR (US)

(**) Term: **14 Years**

(21) Appl. No.: **29/267,139**

(22) Filed: **Oct. 4, 2006**

(51) **LOC (8) Cl.** **14-01**

(52) **U.S. Cl.** **D14/225**

(58) **Field of Classification Search** D14/137,
D14/138, 159, 168, 191, 431, 225-229; 224/242;
340/825.69; 361/683; 455/575.1; 379/428.01,
379/433.01, 420.02, 433.11

See application file for complete search history.

(56) **References Cited**

U.S. PATENT DOCUMENTS

D223,835 S *	6/1972	Schmidt	D14/191
D264,080 S *	4/1982	Iwata	D14/191
D297,431 S *	8/1988	Beard et al.	D14/431
4,828,153 A *	5/1989	Guzik et al.	224/242
D316,550 S *	4/1991	Sogabe	D14/168
5,155,659 A *	10/1992	Kunert	361/683
5,210,532 A *	5/1993	Knoedler et al.	340/825.69
D344,907 S *	3/1994	Abrams et al.	D14/159

D496,030 S *	9/2004	Harbeke	D14/225
D507,261 S *	7/2005	Griffin	D14/226
D539,777 S *	4/2007	Pena Angarita	D14/138
D548,197 S *	8/2007	Yen et al.	D13/168
2003/0036413 A1	2/2003	Ylo		

* cited by examiner

Primary Examiner—Paula A. Greene

(74) *Attorney, Agent, or Firm*—Klarquist Sparkman LLP

(57) **CLAIM**

The ornamental design for a wireless microphone, as shown and described.

DESCRIPTION

FIG. 1 is a perspective view of a wireless microphone showing our new design;

FIG. 2 is a rear view thereof;

FIG. 3 is a front view thereof;

FIG. 4 is a left side of FIG. 3 thereof;

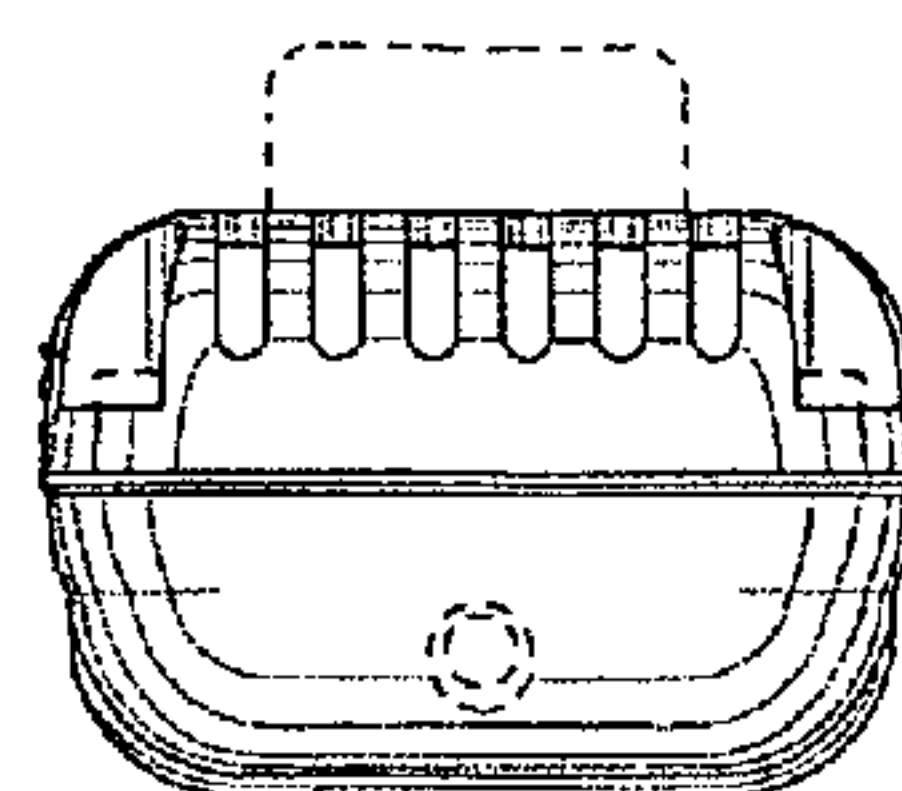
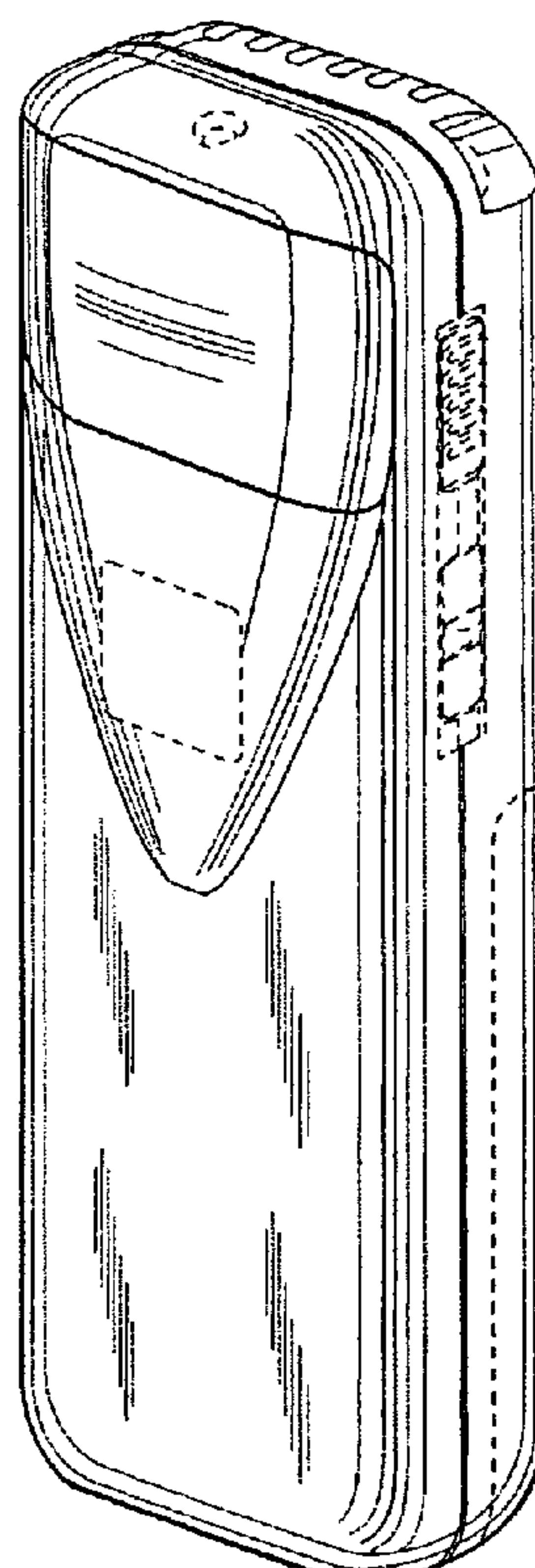
FIG. 5 is a right side of FIG. 3 thereof;

FIG. 6 is a top plan view of FIG. 3; and,

FIG. 7 is a bottom plan view of FIG. 3.

The broken lines of the control switches, charging terminals, battery cover, fasteners, clothing clip, battery cover gripping surface and stop, microphone port, and small flat square on the front are included for the purpose of illustration and form no part of the claimed design.

1 Claim, 2 Drawing Sheets



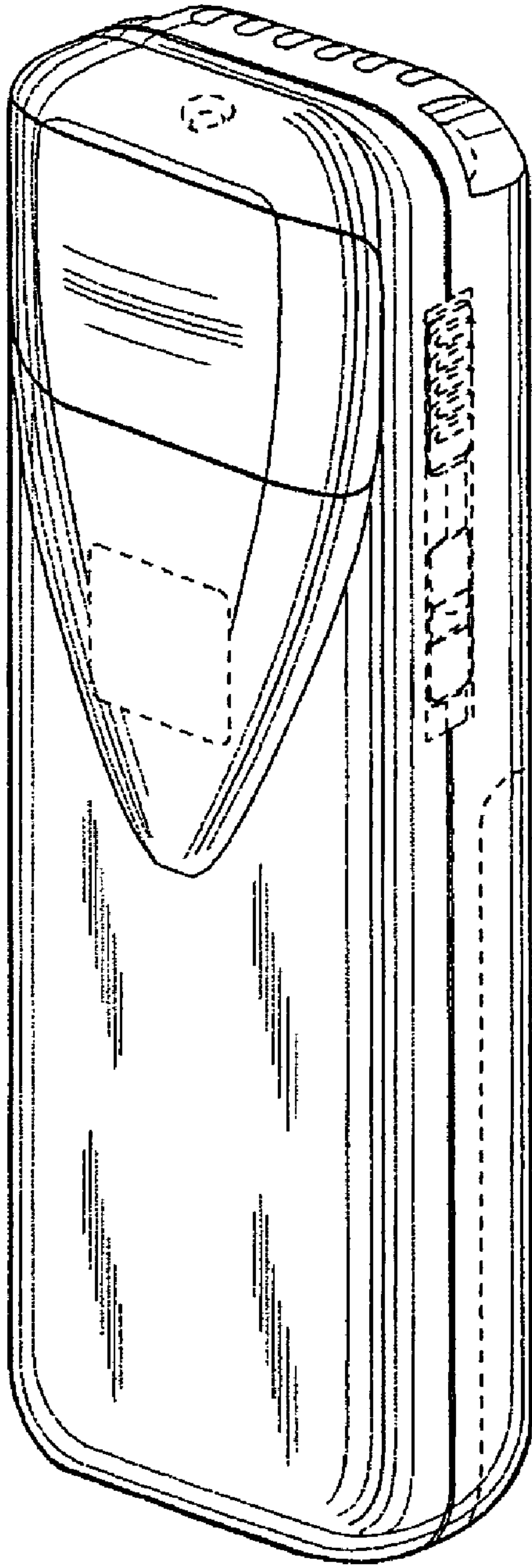


FIG. 1

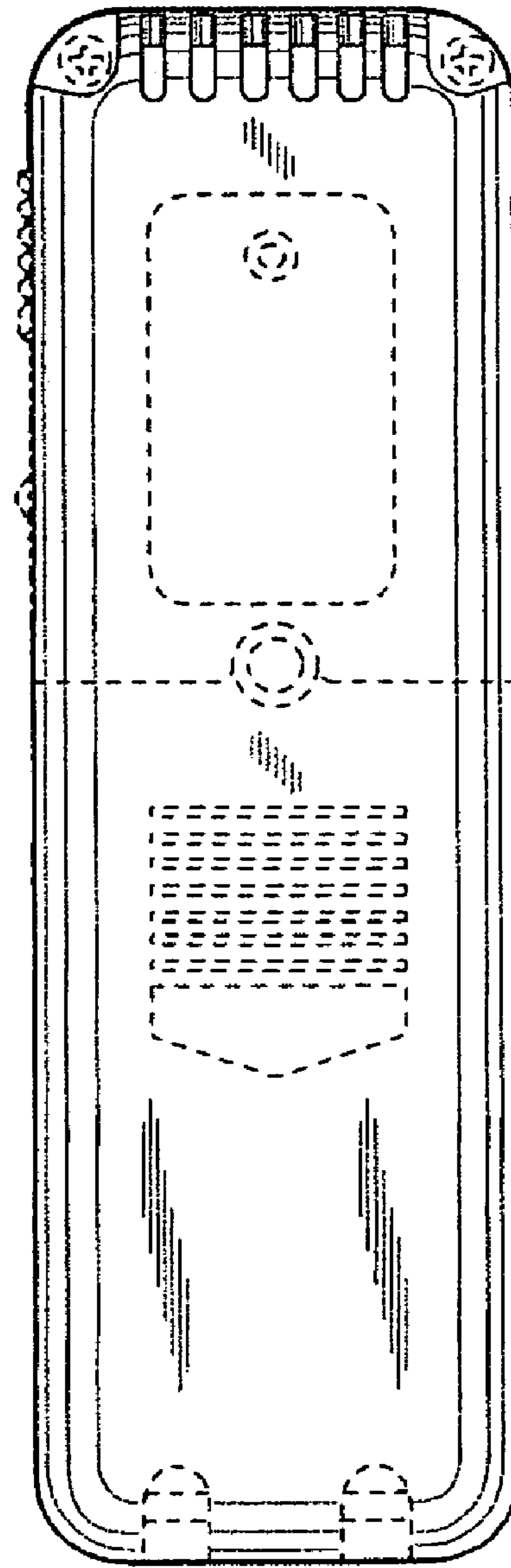


FIG. 2

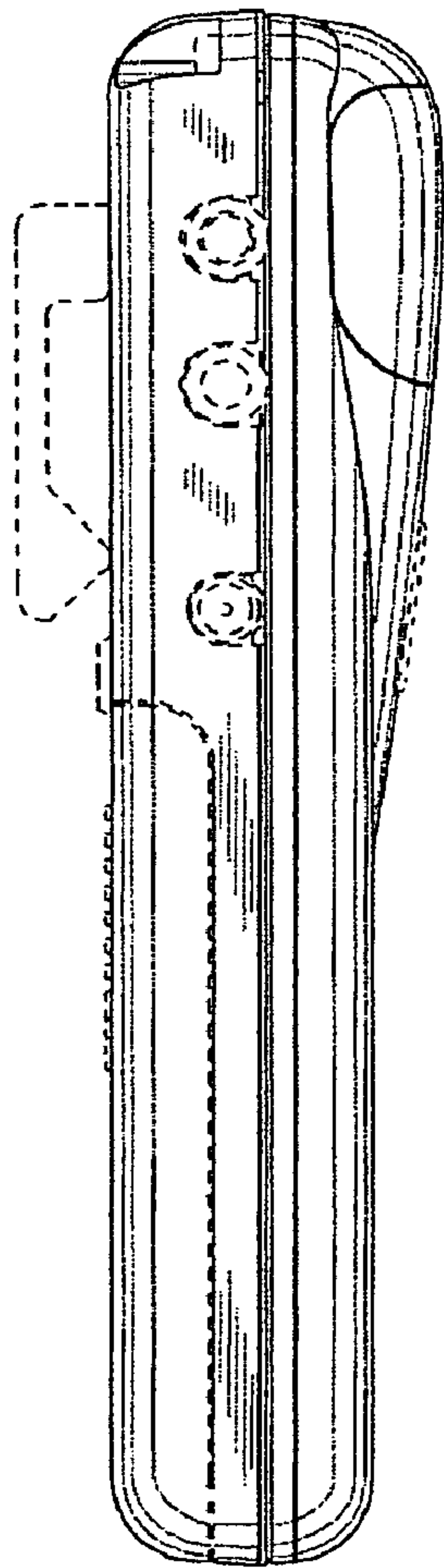


FIG. 4

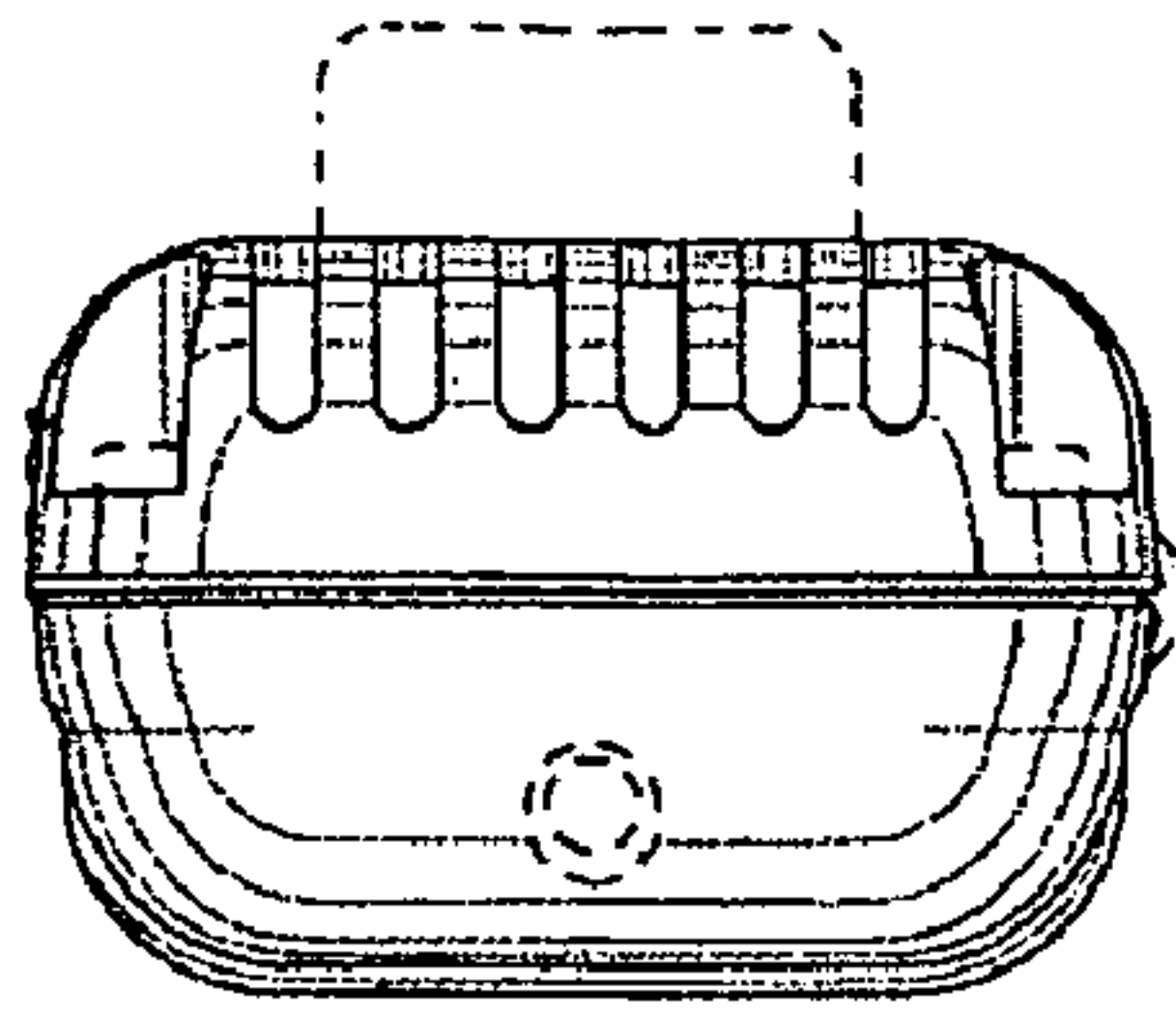


FIG. 6

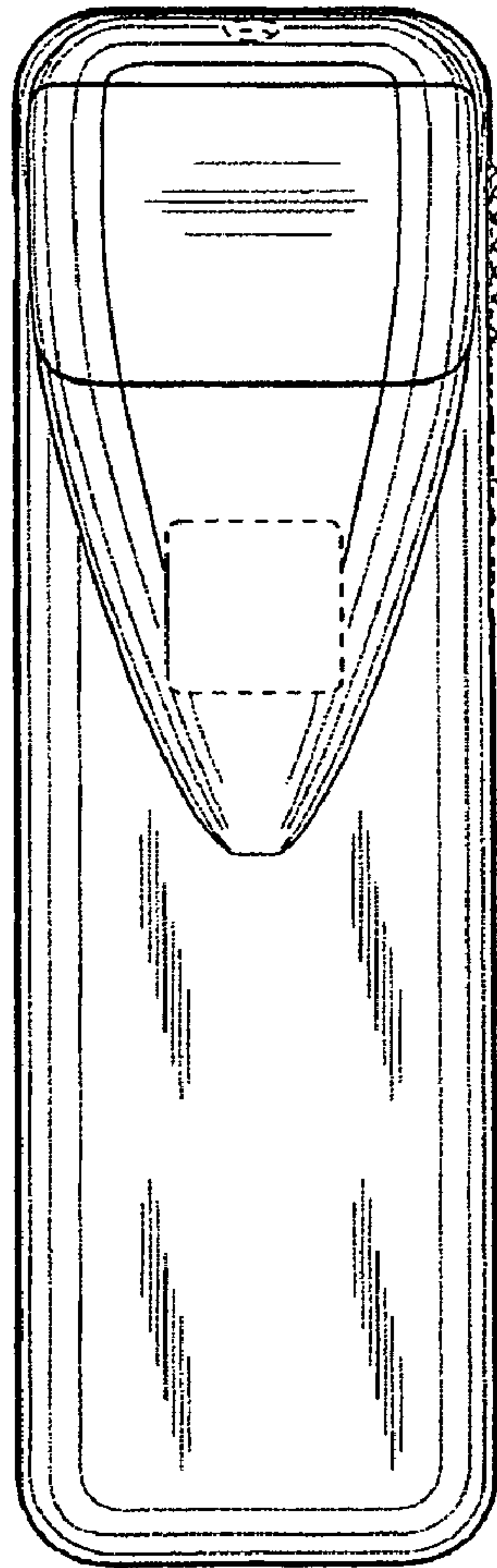


FIG. 3

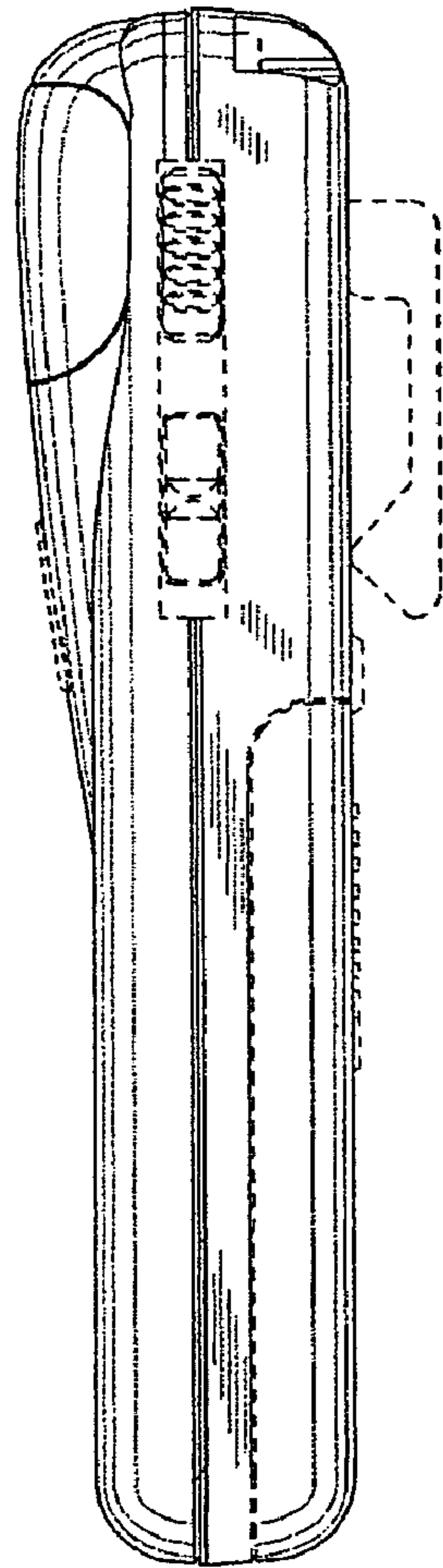


FIG. 5

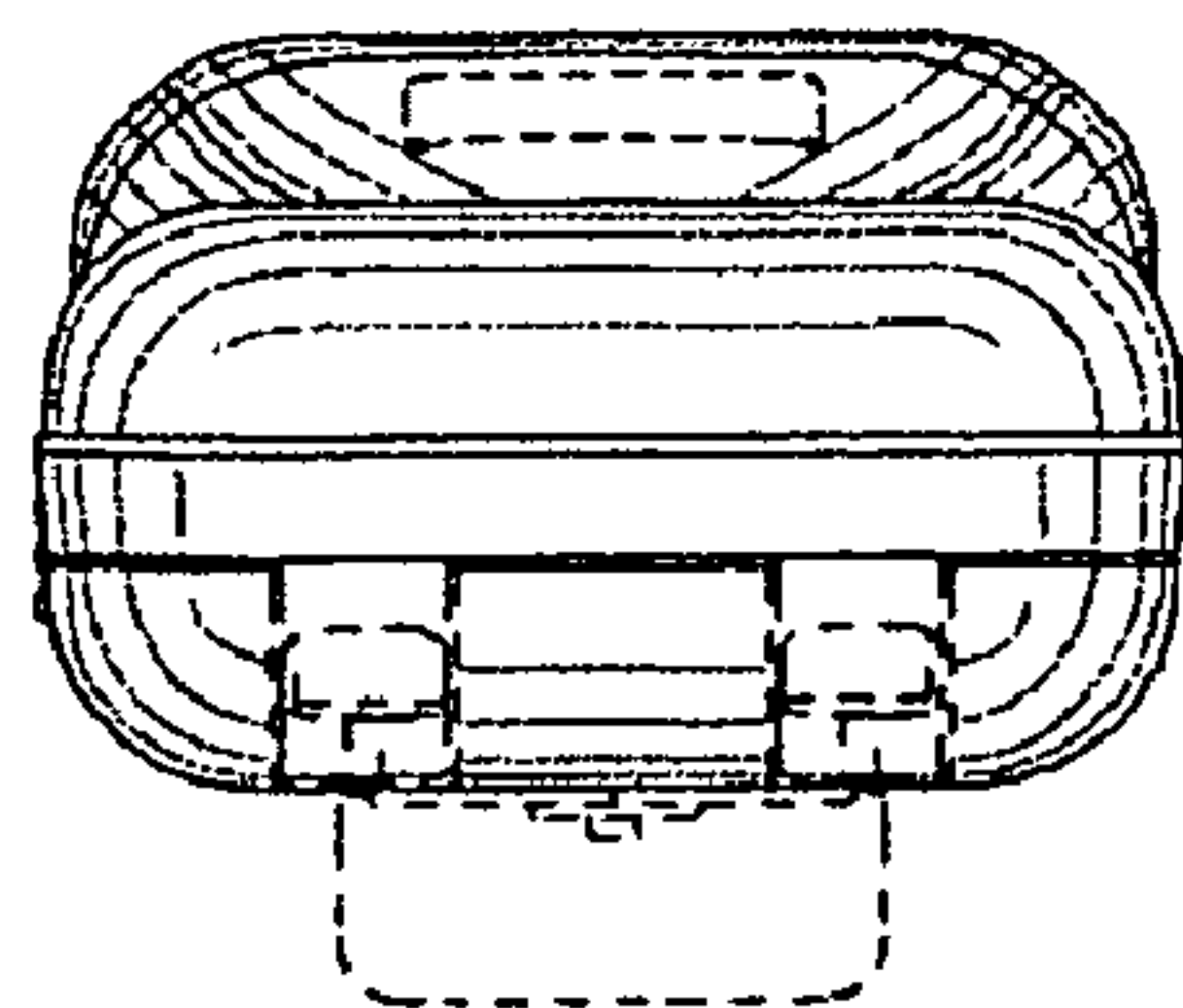


FIG. 7

UNITED STATES PATENT AND TRADEMARK OFFICE
CERTIFICATE OF CORRECTION

PATENT NO. : Des. 558,742 S
APPLICATION NO. : 29/267139
DATED : January 1, 2008
INVENTOR(S) : Koller et al.

Page 1 of 1

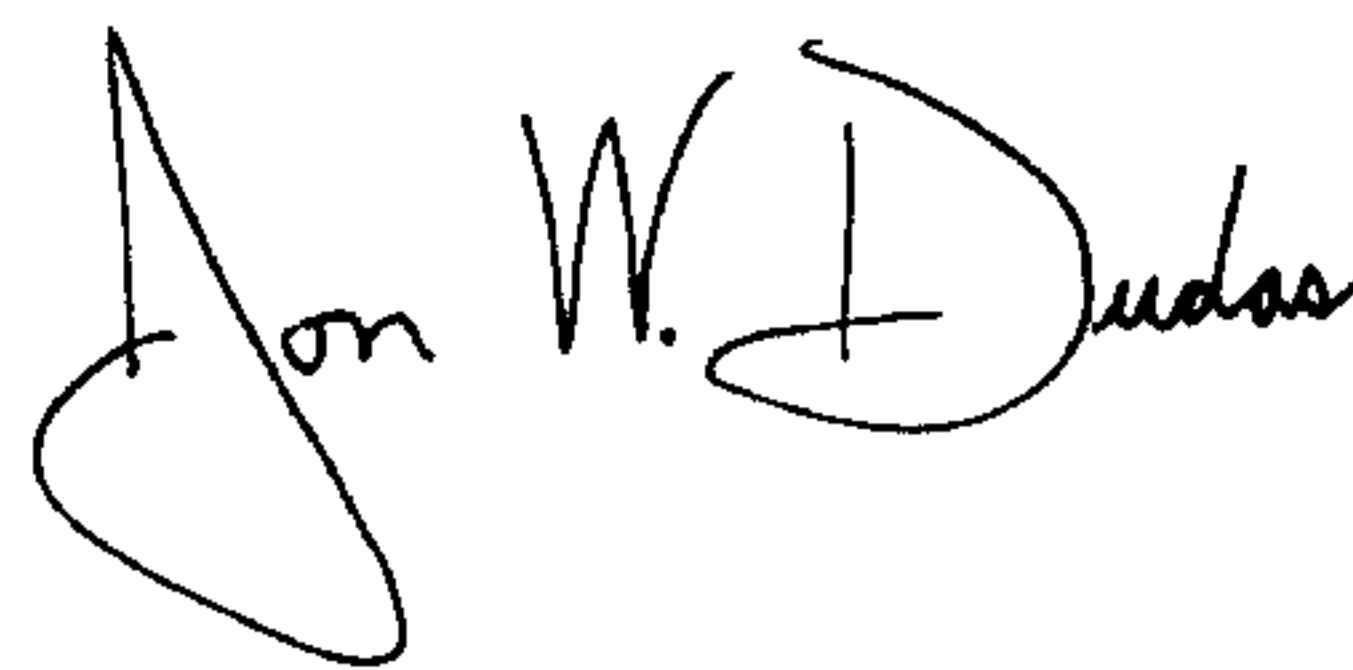
It is certified that error appears in the above-identified patent and that said Letters Patent is hereby corrected as shown below:

Title Page, in the Description:

Column 2, line 11 of the Description, "...microphone port, and small..." should read -- ... microphone port, input/output ports, and small ... --

Signed and Sealed this

Ninth Day of September, 2008

A handwritten signature in black ink that reads "Jon W. Dudas". The signature is written in a cursive style with a large, stylized initial "J".

JON W. DUDAS

Director of the United States Patent and Trademark Office