



US00D558738S

(12) **United States Design Patent** (10) **Patent No.:** **US D558,738 S**
Andre et al. (45) **Date of Patent:** **** Jan. 1, 2008**

(54) **DOCKING STATION**

(75) Inventors: **Bartley K. Andre**, Menlo Park, CA (US); **Daniel J. Coster**, San Francisco, CA (US); **Daniele De Iuliis**, San Francisco, CA (US); **Richard P. Howarth**, San Francisco, CA (US); **Jonathan P. Ive**, San Francisco, CA (US); **Duncan Robert Kerr**, San Francisco, CA (US); **Shin Nishibori**, San Francisco, CA (US); **Matthew Dean Rohrbach**, San Francisco, CA (US); **Douglas B. Satzger**, Menlo Park, CA (US); **Calvin Q. Seid**, deceased, late of Palo Alto, CA (US); by **Vincent Keane Seid**, legal representative, Los Gatos, CA (US); **Christopher J. Stringer**, Woodside, CA (US); **Eugene Antony Whang**, San Francisco, CA (US); **Rico Zorkendorfer**, San Francisco, CA (US)

(73) Assignee: **Apple Inc.**, Cupertino, CA (US)

(**) Term: **14 Years**

(21) Appl. No.: **29/237,084**

(22) Filed: **Aug. 24, 2005**

(51) **LOC (8) Cl.** **14-03**

(52) **U.S. Cl.** **D14/217**

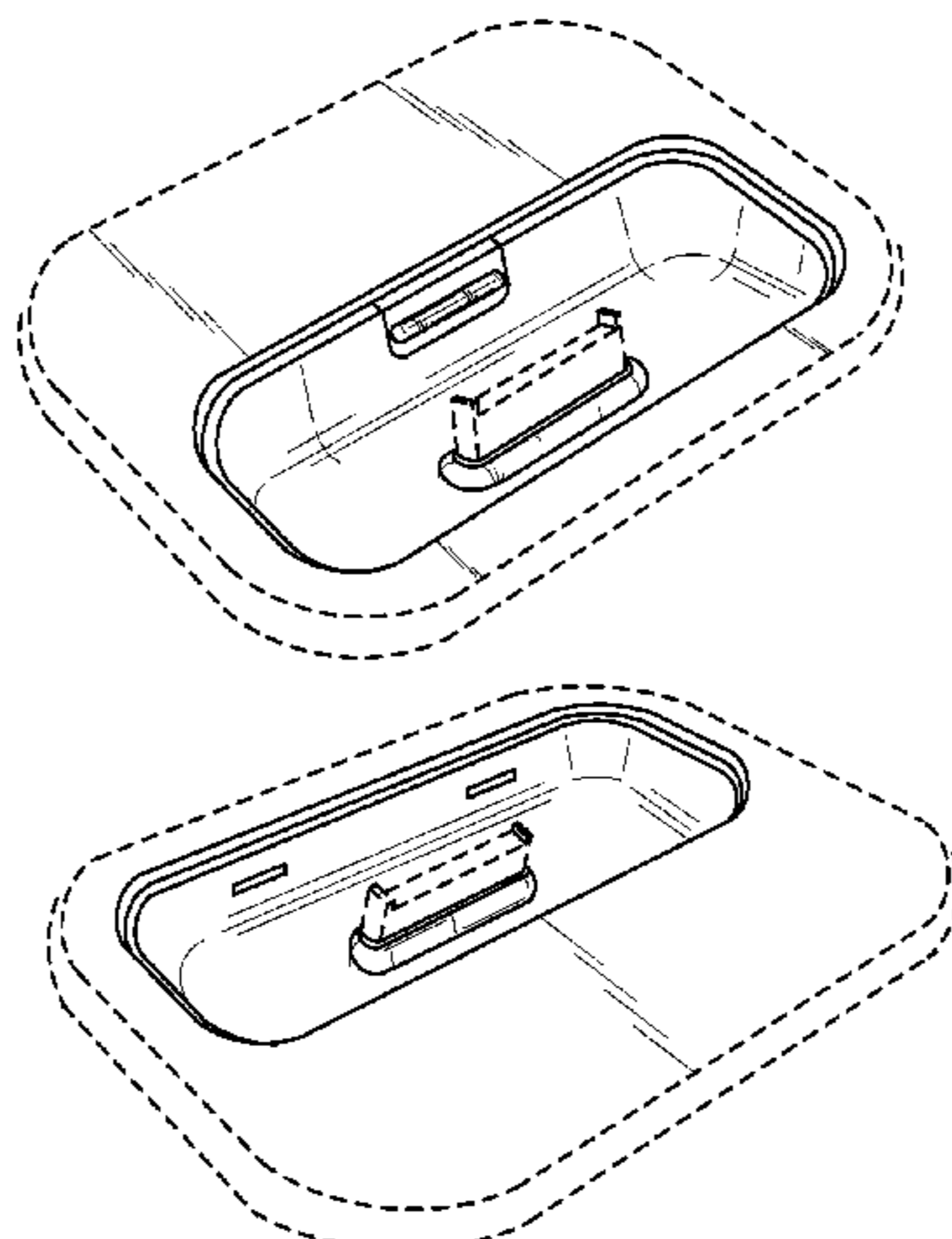
(58) **Field of Classification Search** D14/142,
D14/149, 217, 251, 432, 434, 435, 447, 496;
D13/107, 108, 118; 248/221.11, 309.1; 320/107,
320/110, 113-115; 361/600, 679, 683, 686;
439/529, 534; 455/556.1, 556.2, 557
See application file for complete search history.

(56) **References Cited**

U.S. PATENT DOCUMENTS

D328,277 S 7/1992 Leman et al.
D336,631 S 6/1993 Ivester
D350,330 S 9/1994 Peterson

D374,858 S 10/1996 Chu
5,600,225 A 2/1997 Goto
5,627,727 A 5/1997 Aguilera et al.
D385,530 S * 10/1997 Hames et al. D13/107
D388,764 S 1/1998 Bartling et al.
D397,996 S * 9/1998 Smith D13/168
D409,987 S 5/1999 Okumura
D411,166 S 6/1999 Uemura et al.
5,952,814 A * 9/1999 Van Lerberghe 320/108
D416,536 S 11/1999 Ross et al.
D419,160 S 1/2000 Davidson et al.
6,042,414 A 3/2000 Kunert
D422,556 S 4/2000 Okura et al.
D439,908 S 4/2001 Gozani
D440,542 S 4/2001 Hawkins et al.
D442,939 S * 5/2001 Goldenburg D14/191
D444,121 S 6/2001 Chun et al.
D444,124 S 6/2001 Casey et al.
6,307,348 B1 10/2001 Green
D450,707 S 11/2001 Francavilla et al.
D454,332 S 3/2002 Yokoyama
D459,299 S 6/2002 Hughes et al.
D461,476 S 8/2002 Evers et al.
D463,361 S 9/2002 Ruohonen
D466,122 S 11/2002 Moody
D468,305 S 1/2003 Ma et al.
6,524,240 B1 2/2003 Thede
D472,900 S 4/2003 Matsumoto
D477,823 S 7/2003 Lavello
6,711,005 B2 3/2004 Martin
D495,336 S 8/2004 Andre et al.
6,798,647 B2 9/2004 Dickie
6,813,528 B1 11/2004 Yang
6,898,080 B2 5/2005 Yin et al.
D510,091 S * 9/2005 Mori et al. D14/434
D525,616 S 7/2006 Andre et al.
7,075,579 B2 * 7/2006 Whitby et al. 348/375
D526,321 S * 8/2006 Hayes et al. D14/435
D530,717 S * 10/2006 Mori et al. D14/434
D532,005 S * 11/2006 Leith D14/253
7,145,603 B2 * 12/2006 Whitby et al. 348/375
D535,614 S * 1/2007 Majanen et al. D13/108
D544,899 S * 6/2007 Li et al. D16/242
2002/0103008 A1 8/2002 Rahn et al.
2003/0198015 A1 10/2003 Vogt



2006/0250764 A1 11/2006 Howarth et al.

OTHER PUBLICATIONS

U.S. Appl. No. 29/237,097 entitled “Dock Insert” filed Aug. 24, 2005.

U.S. Appl. No. 29/237,111 entitled “Dock Insert” filed Aug. 24, 2005.

U.S. Appl. No. 29/237,112 entitled “Dock Insert” filed Aug. 24, 2005.

U.S. Appl. No. 29/237,233 entitled “Docking Station” filed Aug. 24, 2005.

U.S. Appl. No. 11/212,302 entitled “Docking Station for Hand Held Electronic Devices”, filed Aug. 24, 2005.

“iPod Dock Cradle”, downloaded Apr. 11, 2003, www.bookendzdocks.com/bookendz/dock_cradel.htm.

“BookEndz Home Page”, downloaded Apr. 11, 2003, www.bookendzdocks.com/bookendz/index.htm.

“Atech Flash Technology Iduo Ipod Dock and card Reader”, www.the-gadgeteer.com, downloaded Nov. 21, 2005.

“Adaptec xHub for Notebooks”, http://www.everythingusb.com/hardware/index/Adaptec_xHub_for_Notebooks.htm, downloaded Nov. 22, 2005.

“Belkin’s Top loading USB Hub for iPod shuffle”, http://www.everythingusb.com/belkin_hispeed_usb_2.0_4-port_hub.html, downloaded Nov. 22, 2005.

“Belkin Hi-Speed USB 2.07_Port Hub”, http://www.everythingusb.com/hardware/index/Belkin_Hi-Speed_USB_2.0_7-Port_Hub..., downloaded Nov. 22, 2005.

* cited by examiner

Primary Examiner—Stella Reid

Assistant Examiner—Keli’ L. Acker

(74) *Attorney, Agent, or Firm*—Beyer Weaver LLP

(57) CLAIM

We claim the ornamental design for a docking station, substantially as shown and described.

DESCRIPTION

This application is related to: U.S. Design patent application Ser. No. 29/237,233, filed concurrently and entitled “Docking Station”, which is hereby incorporated herein by reference.

Various examples of dock insert embodiments are shown and described, for example in (i) U.S. Design patent application Ser. No. 29/237,097, filed concurrently and entitled “Dock Insert”; (ii) U.S. Design patent application Ser. No. 29/237,111, filed concurrently and entitled “Dock Insert”; and (iii) U.S. Design patent application Ser. No. 29/237,112, filed concurrently and entitled “Dock Insert”, each of which is hereby incorporated herein by reference.

All of the material from the three U.S. Design patent applications that is essential to the claimed design is included herein. Any material in the three U.S. Design patent applications that is not present herein forms no part of the claimed design.

FIG. 1 is a front perspective view of a docking station embodying our new design.

FIG. 2 is a rear perspective view of the docking station.

FIG. 3 is a top view for the docking station.

FIG. 4 is an exemplary perspective view of how a docking system can incorporate the docking station with a dock insert.

FIGS. 5–8 are exemplary top views of a docking system that incorporates different dock inserts into the docking station; and,

FIG. 9 is an exemplary perspective view of the docking station integrated into a portion of an electronic device such as a portable music player (e.g. boom box).

The dock inserts of FIG. 4 and the electronic device of FIG. 9, which are illustrated in broken lines, are provided to show environmental structure only and therefore form no part of the claimed design.

The broken lines immediately adjacent the shaded areas represent the bounds of the claimed design while all other broken lines are directed to environment and are for illustrative purposes only; the broken lines form no part of the claimed design.

1 Claim, 6 Drawing Sheets

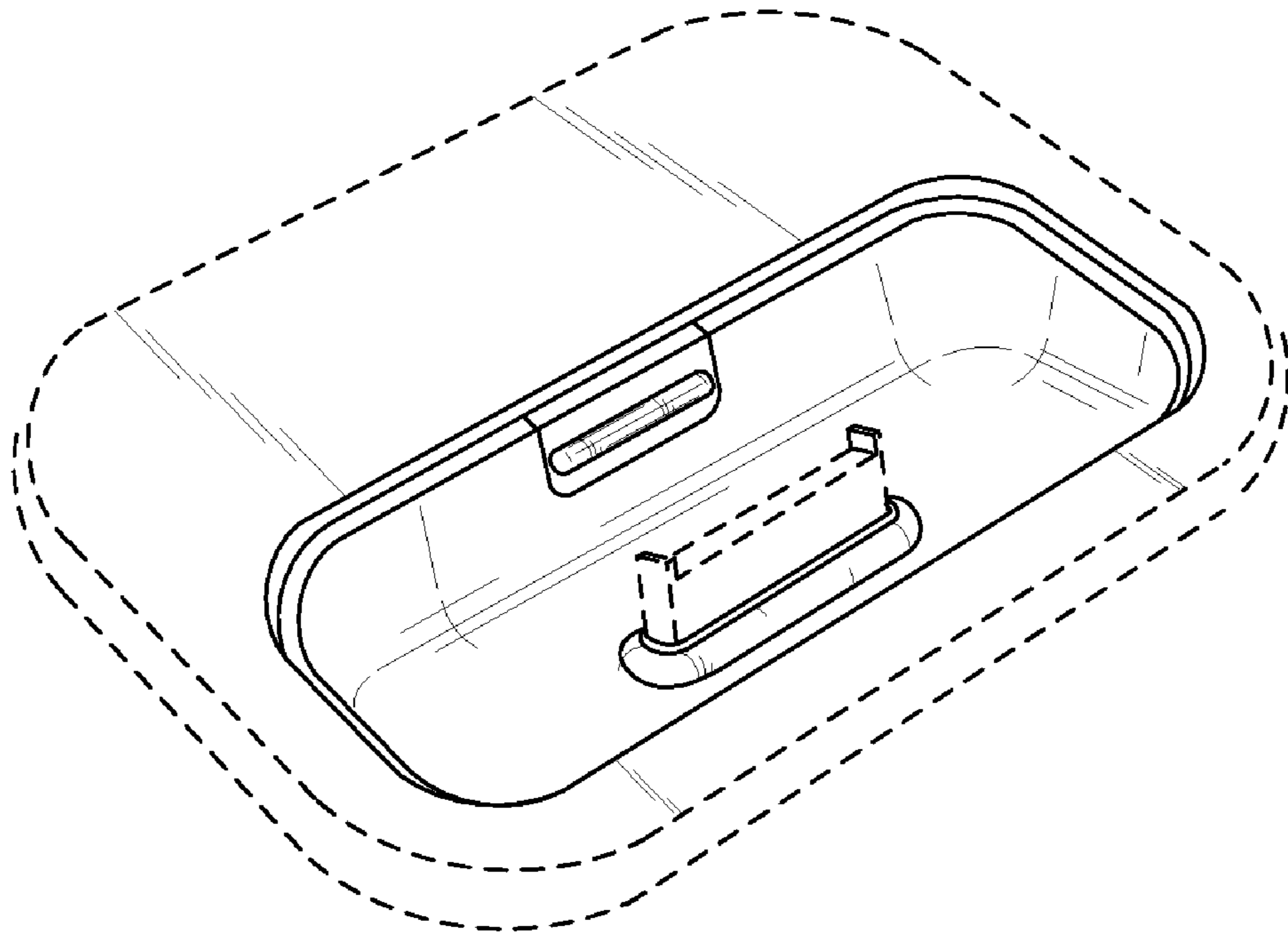


FIG. 1

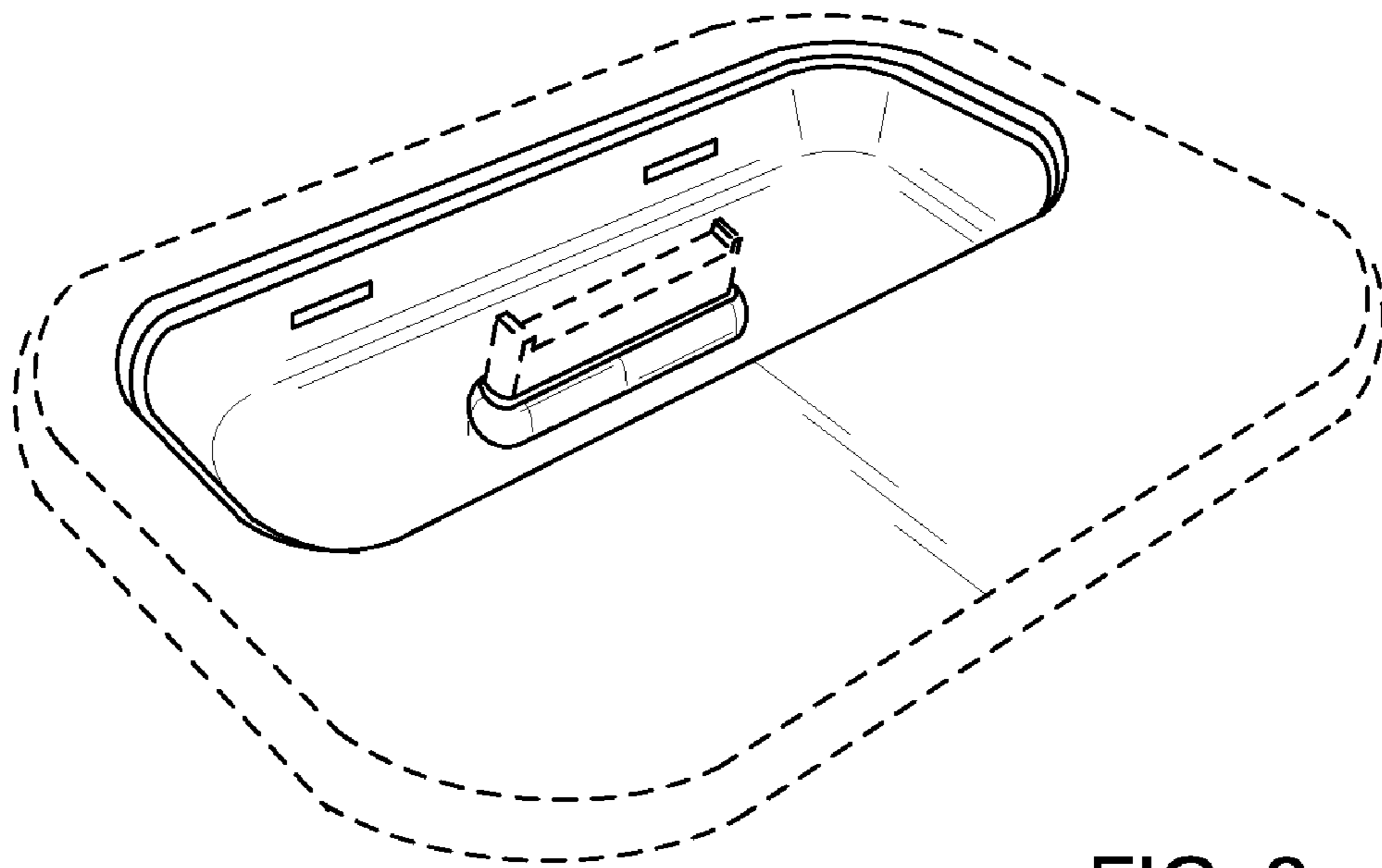


FIG. 2

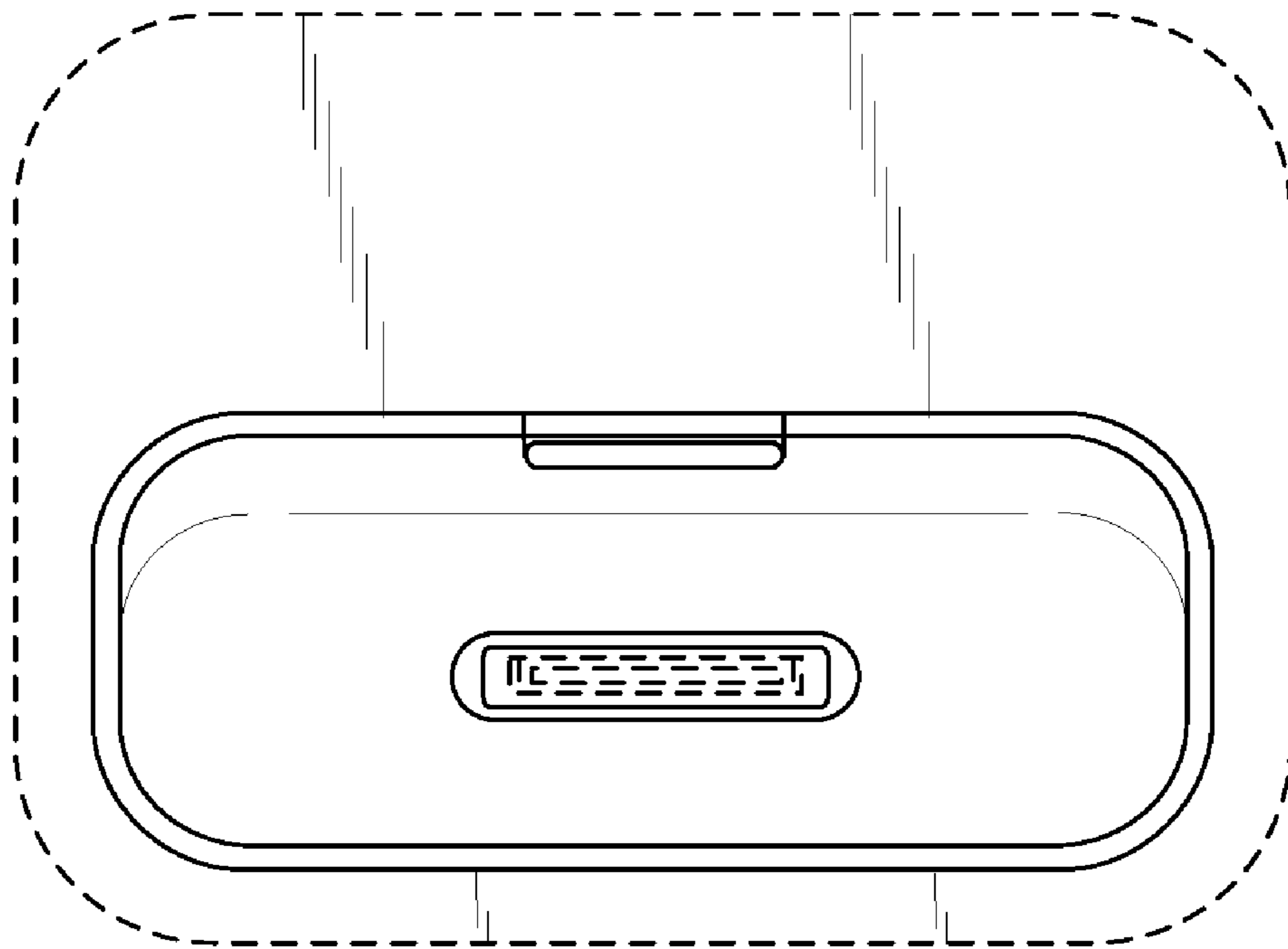


FIG. 3

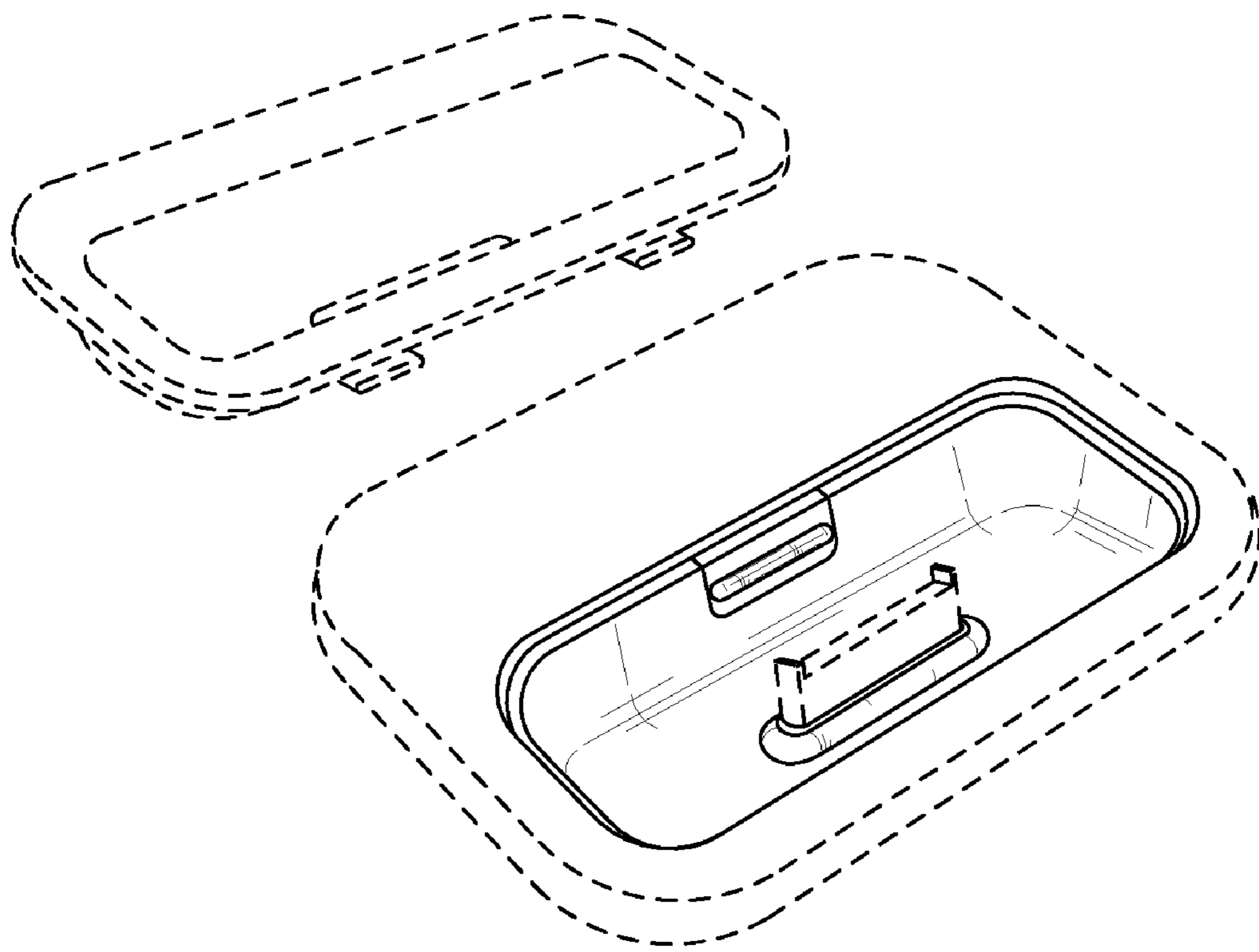


FIG. 4

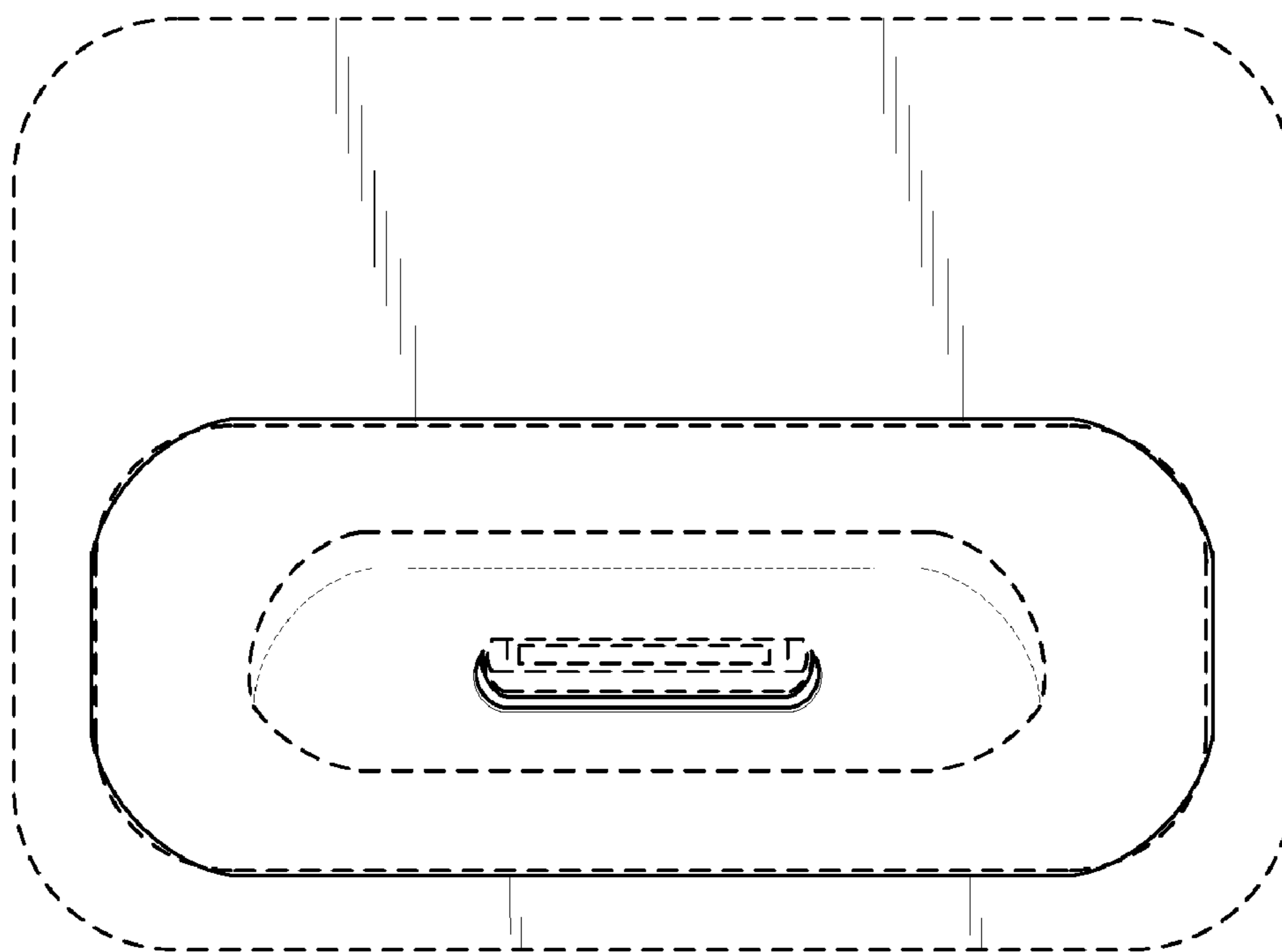


FIG. 5

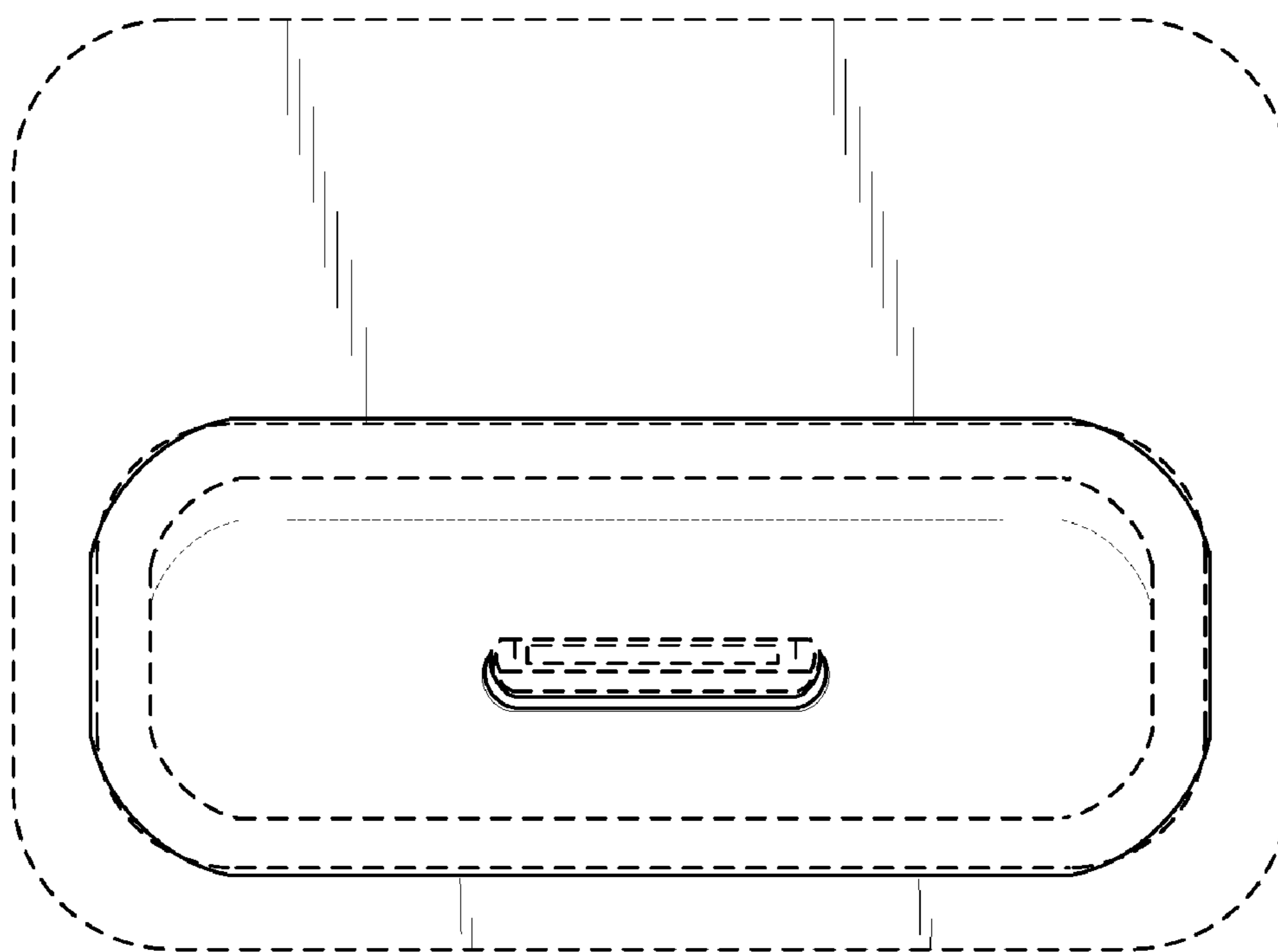


FIG. 6

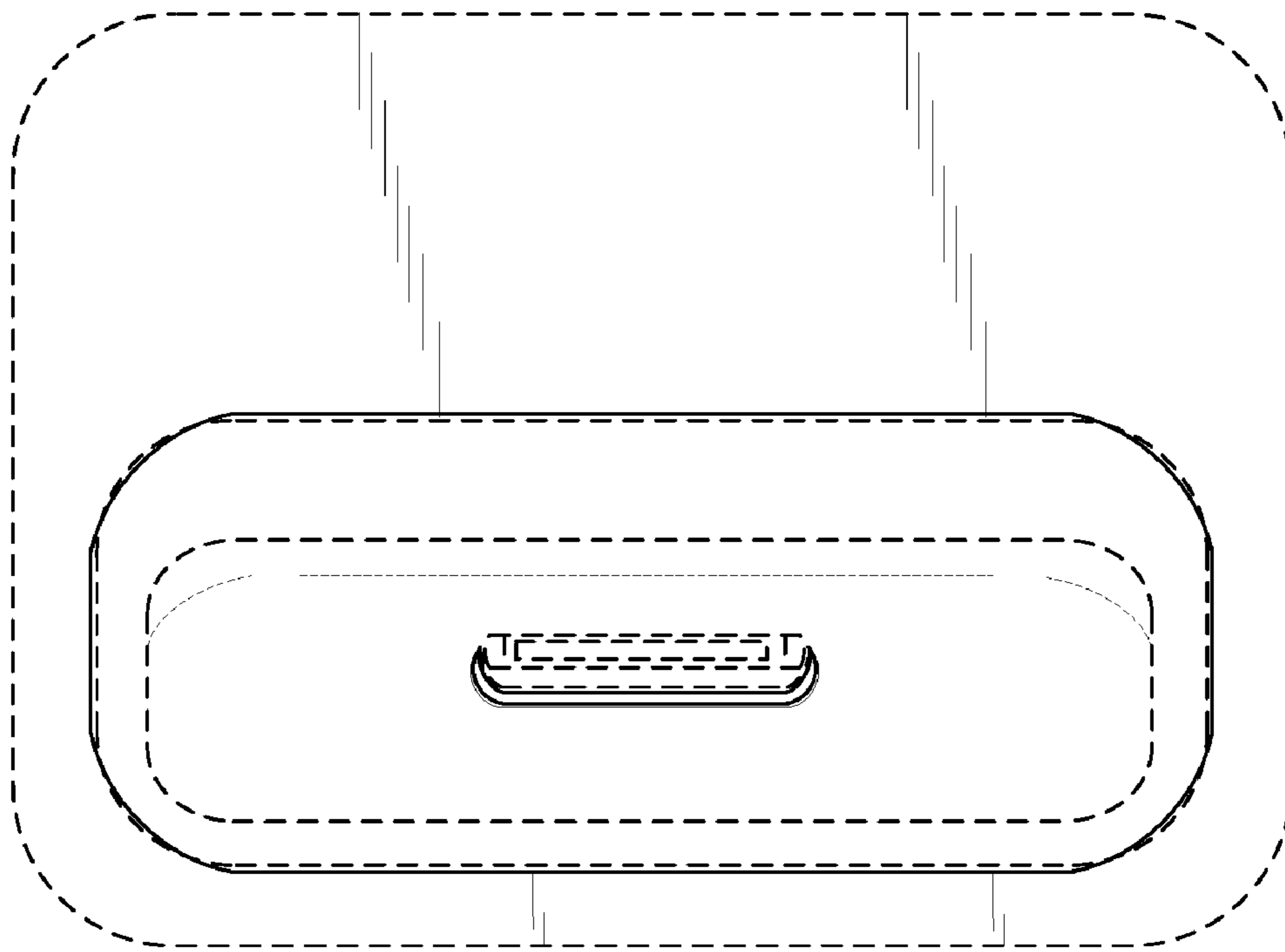


FIG. 7

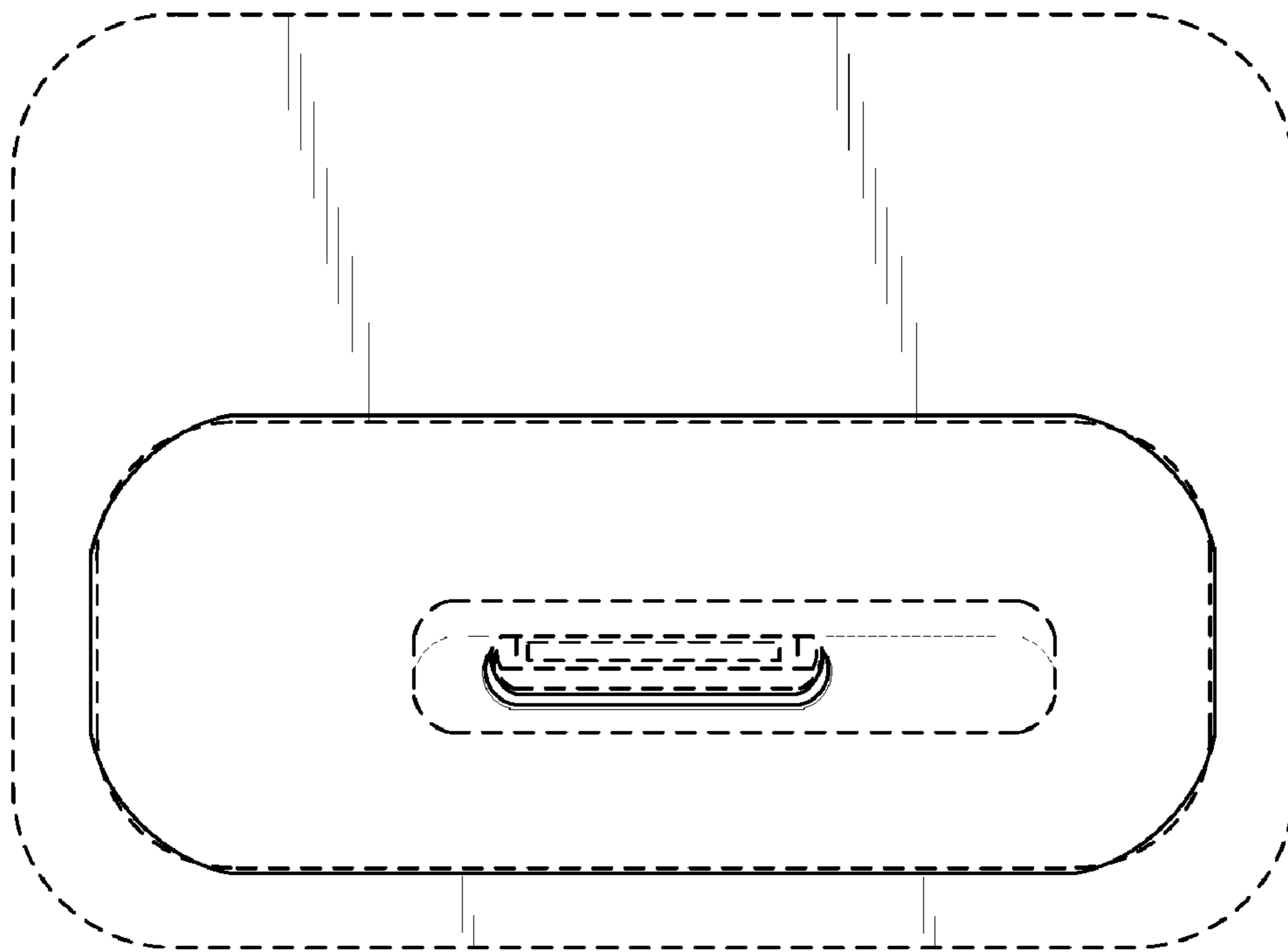


FIG. 8

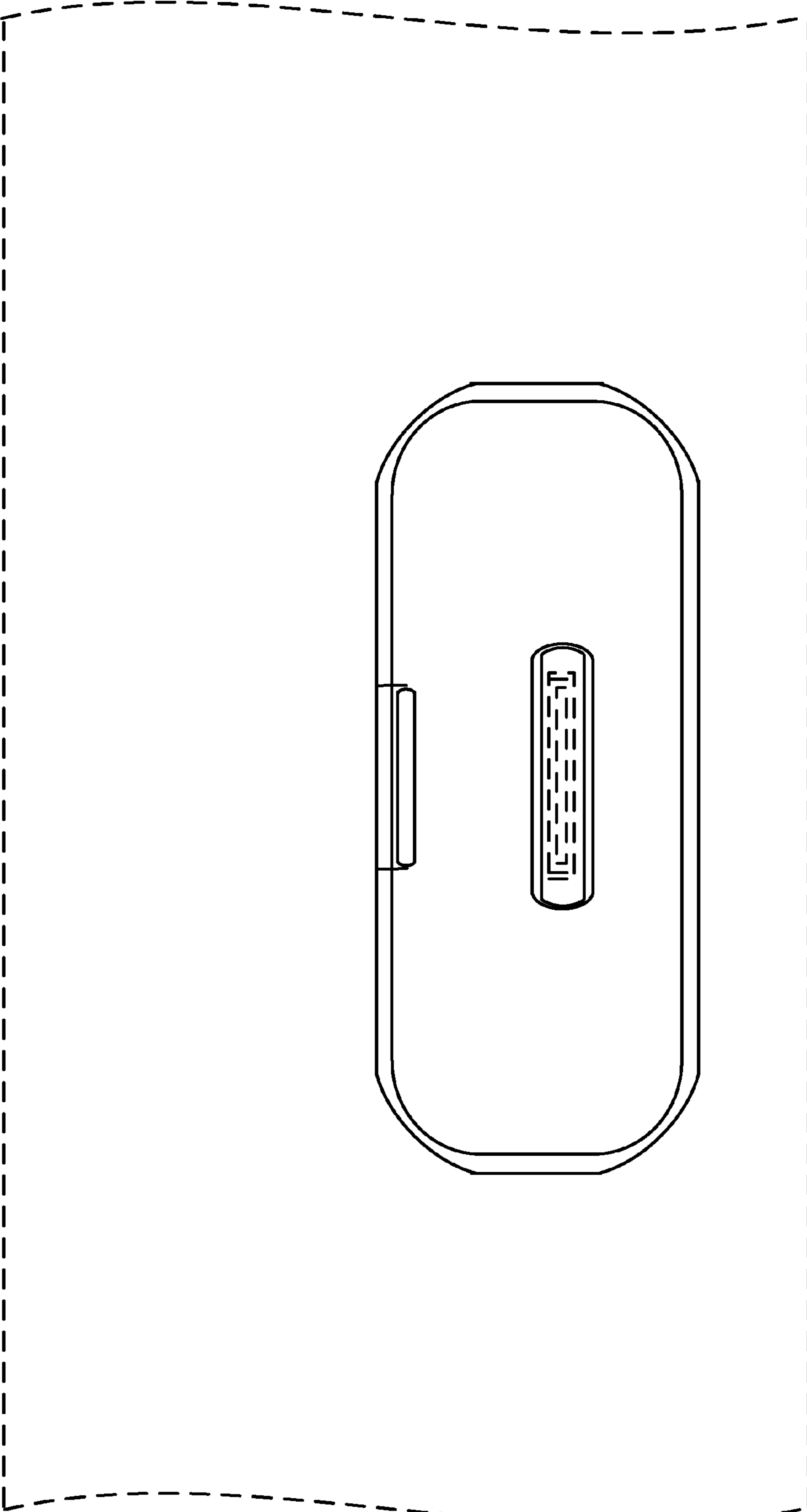


FIG. 9