



US00D558732S

(12) **United States Design Patent**
Salerno

(10) **Patent No.:** **US D558,732 S**
(45) **Date of Patent:** **** Jan. 1, 2008**

(54) **SOUND AMPLIFIER**

(75) Inventor: **Giulio Salerno**, Padua (IT)

(73) Assignee: **Asboluta Sound and Space S.r.l.**,
Fiesso D'Artico (VE) (IT)

(**) Term: **14 Years**

(21) Appl. No.: **29/238,926**

(22) Filed: **Sep. 23, 2005**

(30) **Foreign Application Priority Data**

Mar. 23, 2005 (EM) 000320924

(51) **LOC (8) Cl.** **14-03**

(52) **U.S. Cl.** **D14/188**

(58) **Field of Classification Search** D14/168,
D14/169, 179, 188, 192-198, 217, 265, 299;
330/1 R, 3, 4, 250; 381/86, 120; 455/344-351
See application file for complete search history.

(56) **References Cited**

U.S. PATENT DOCUMENTS

D244,616 S * 6/1977 Sizer D14/197
D252,810 S * 9/1979 Bocko D14/198
D343,838 S * 2/1994 Frank et al. D14/198

D416,903 S * 11/1999 Kizawa D14/188
D427,148 S * 6/2000 Wei D13/110
D512,707 S * 12/2005 Chen et al. D14/188

* cited by examiner

Primary Examiner—Stella M. Reid

Assistant Examiner—Keli' L. Acker

(74) *Attorney, Agent, or Firm*—Browdy and Neimark,
PLLC

(57) **CLAIM**

The ornamental design for a sound amplifier, as shown and described.

DESCRIPTION

FIG. 1 is a perspective view from the top, front and right side of a sound amplifier showing my new design;

FIG. 2 is a perspective view from the top, rear and left side thereof;

FIG. 3 is a frontal elevational view thereof;

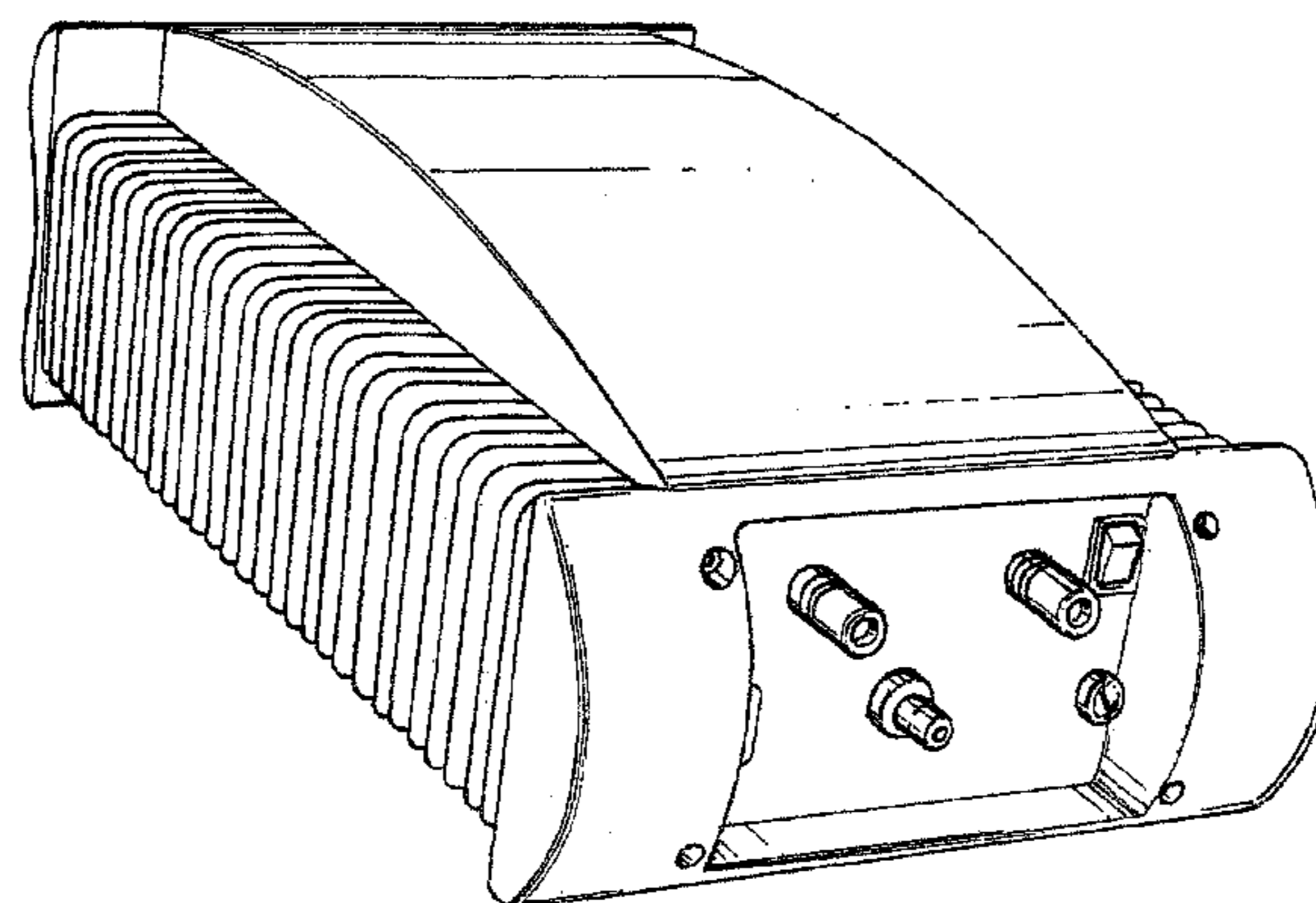
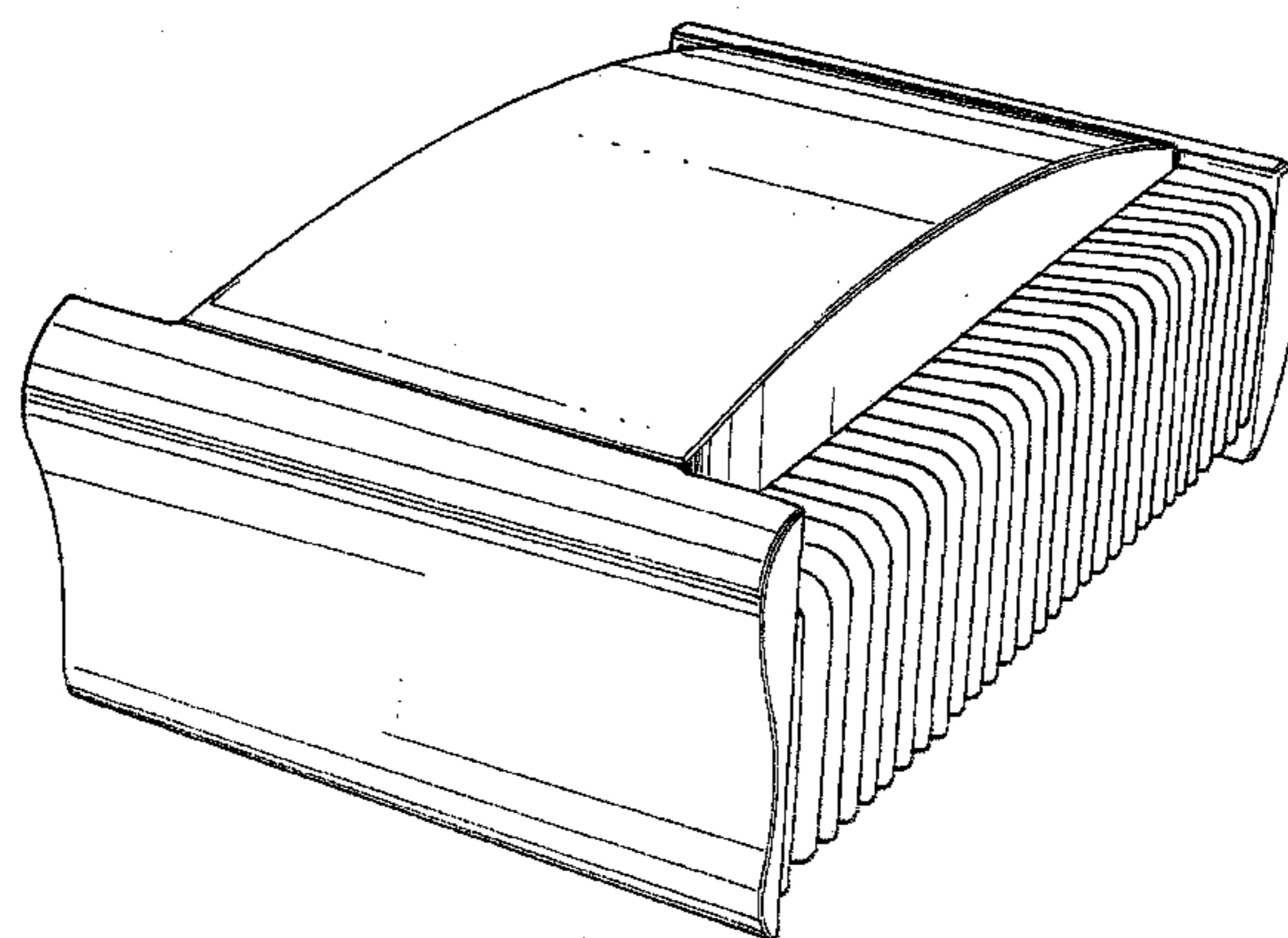
FIG. 4 is a rear elevational view thereof;

FIG. 5 is a left side elevational view thereof;

FIG. 6 is a right side elevational view thereof; and,

FIG. 7 is a top plan view thereof.

1 Claim, 7 Drawing Sheets



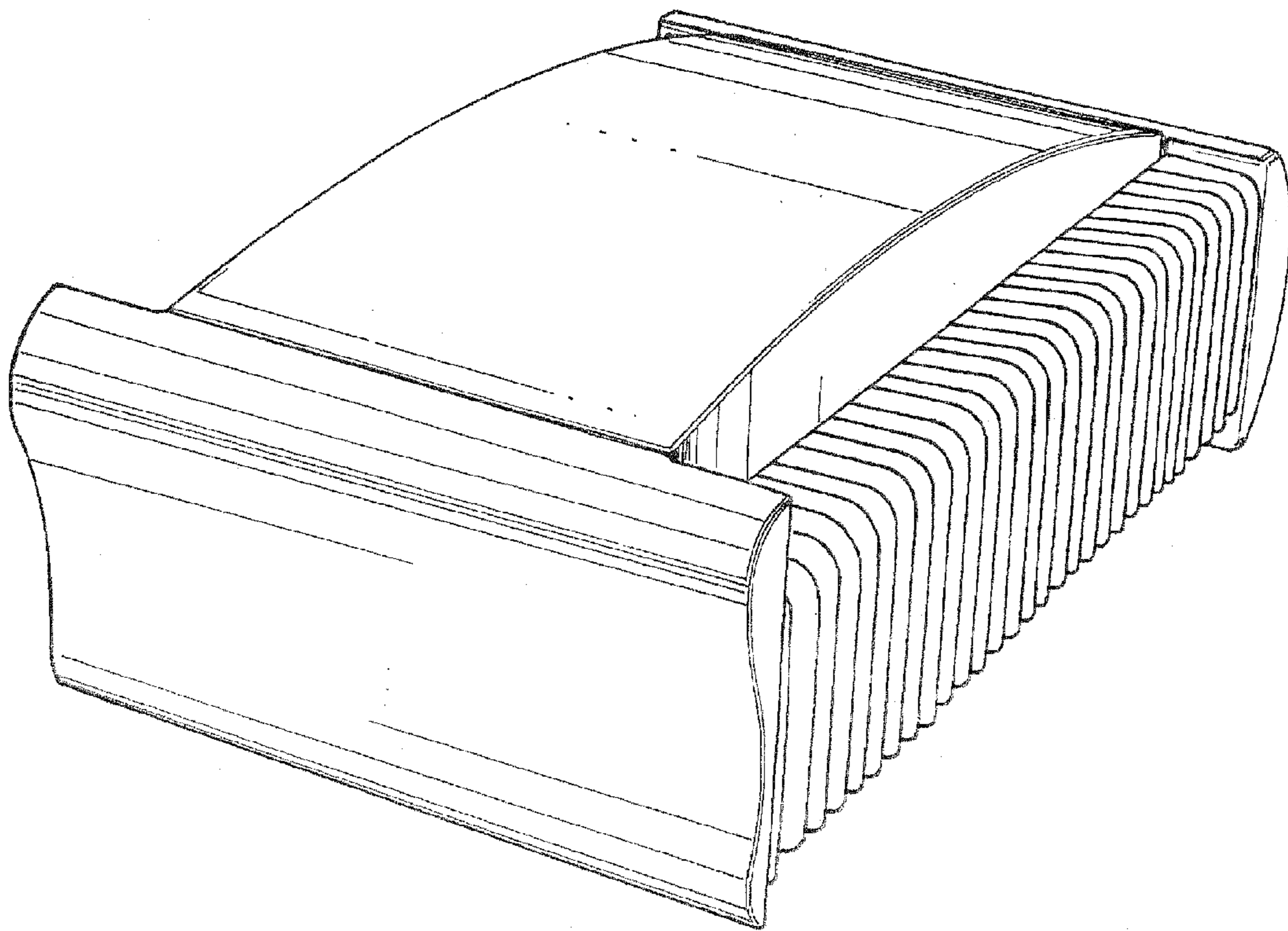


FIG. 1

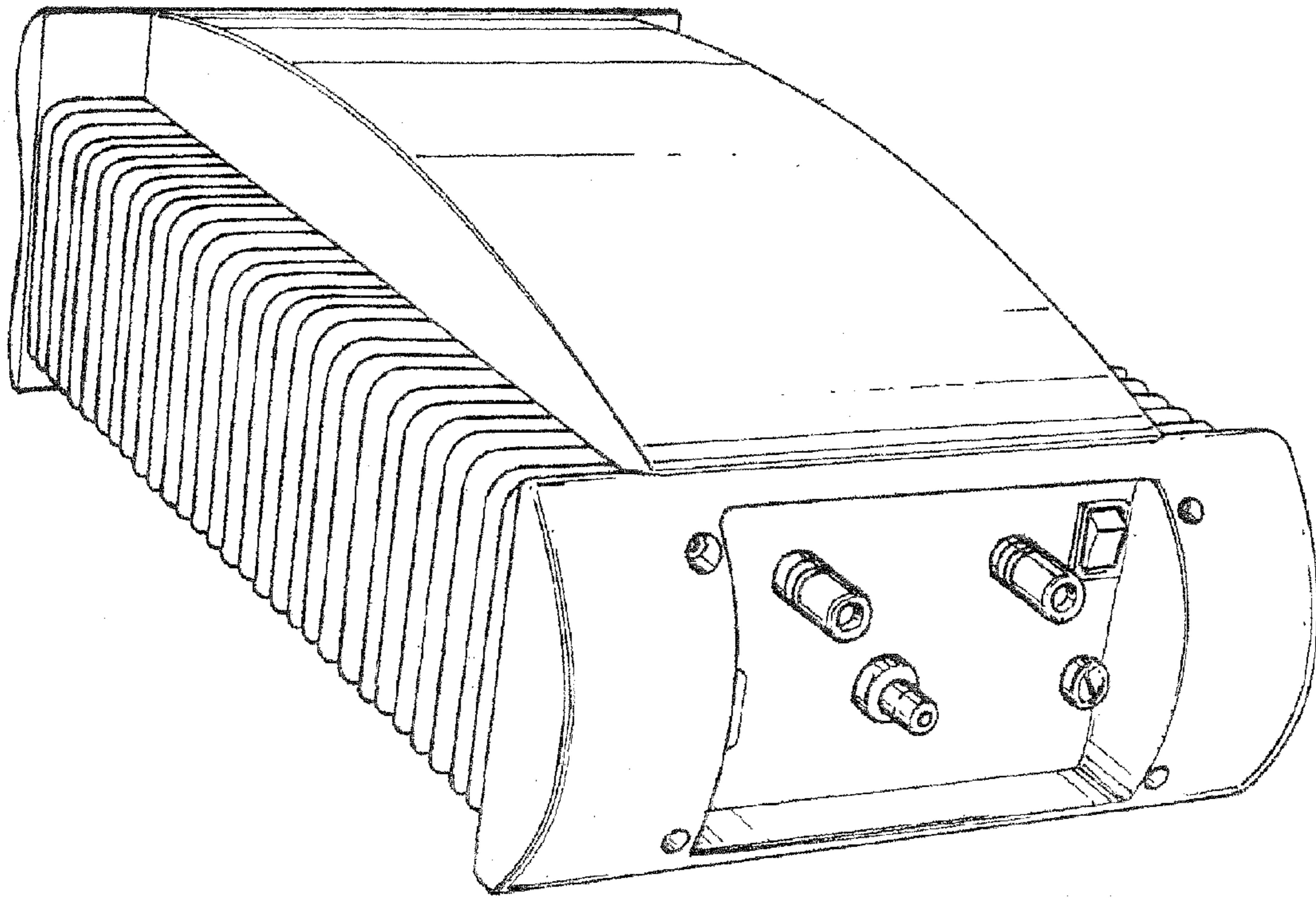


FIG. 2

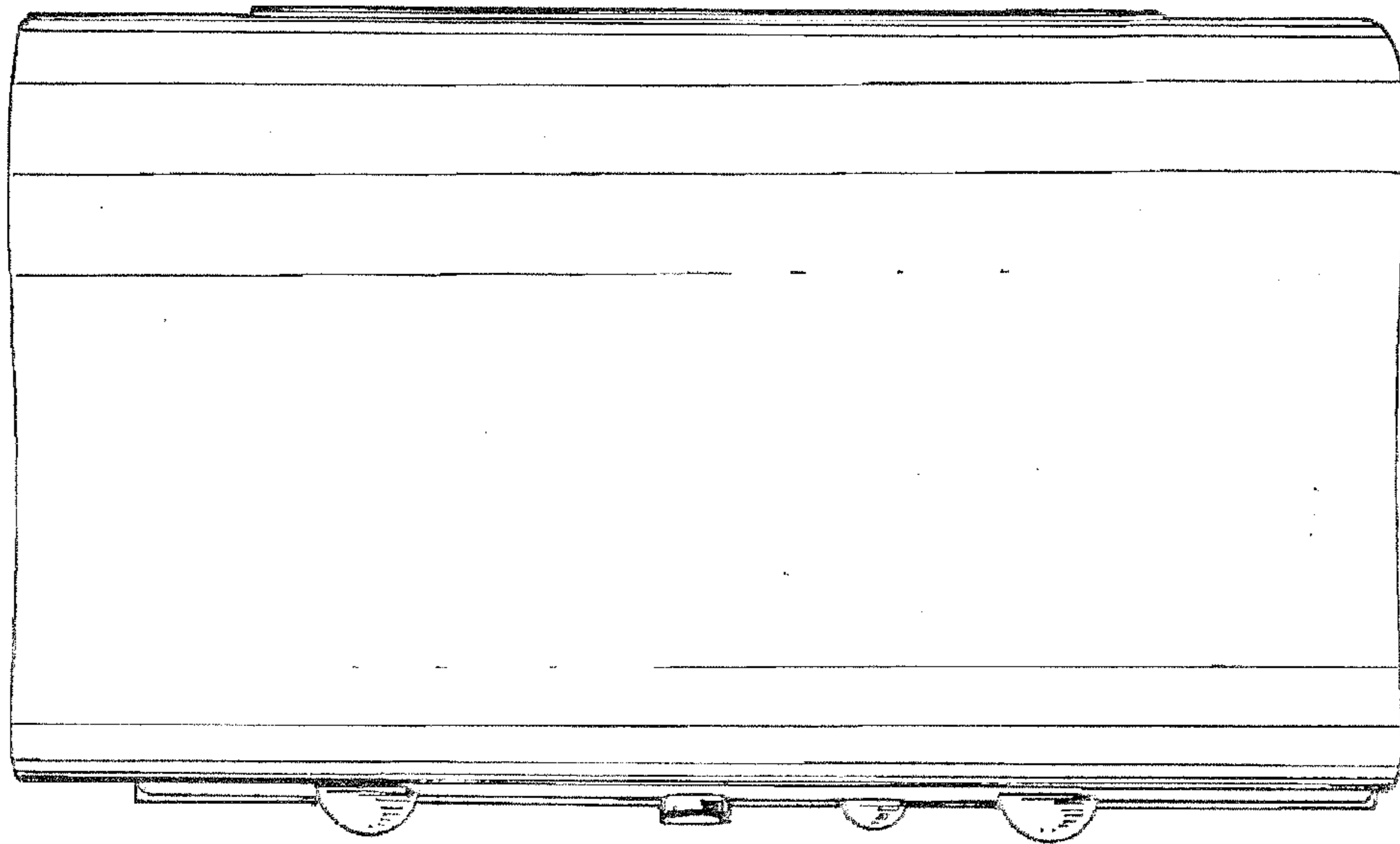


FIG. 3

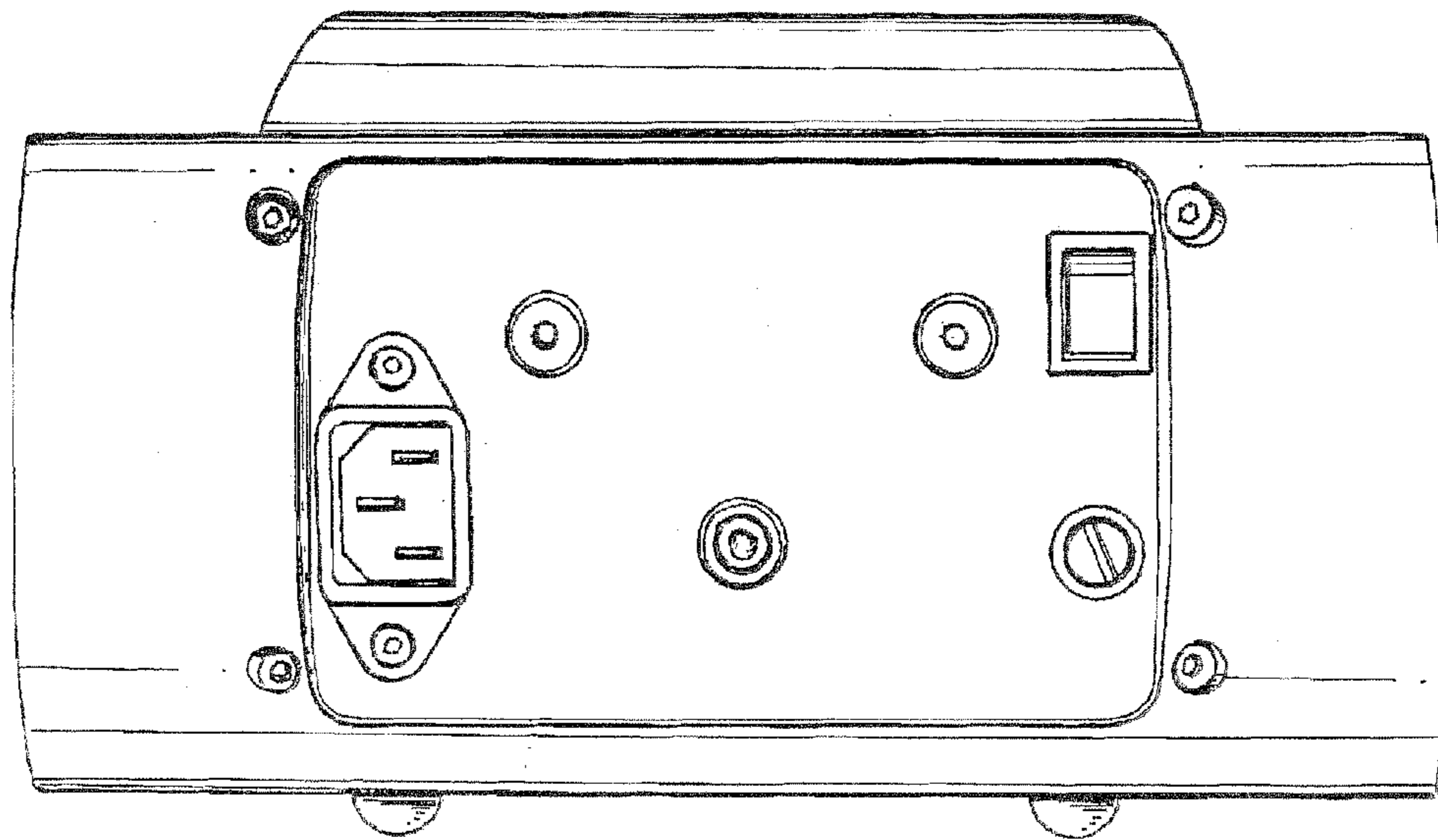


FIG. 4

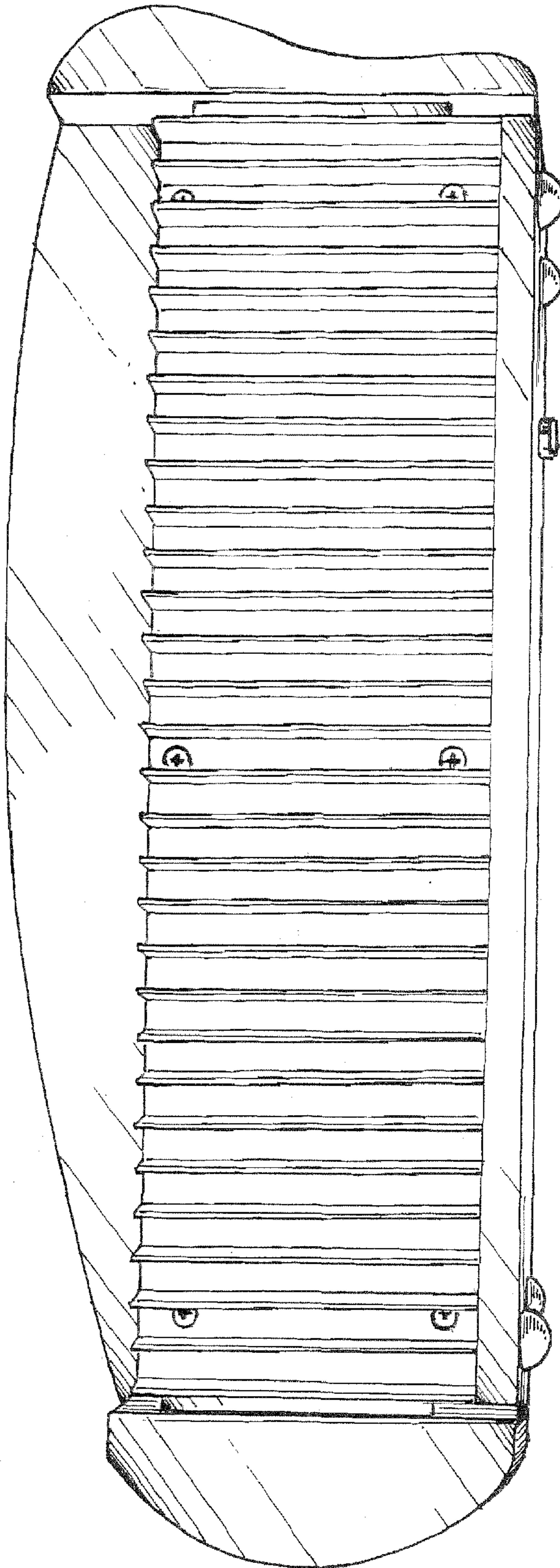


FIG. 5

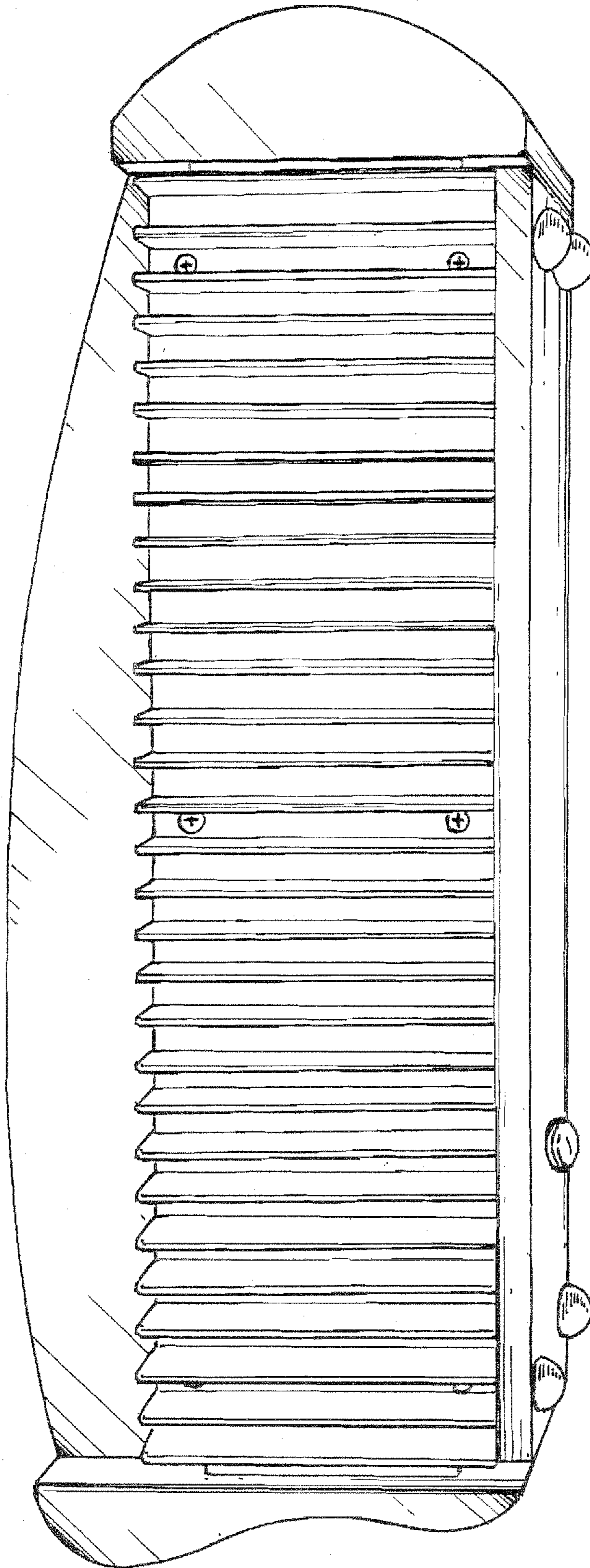


FIG. 6

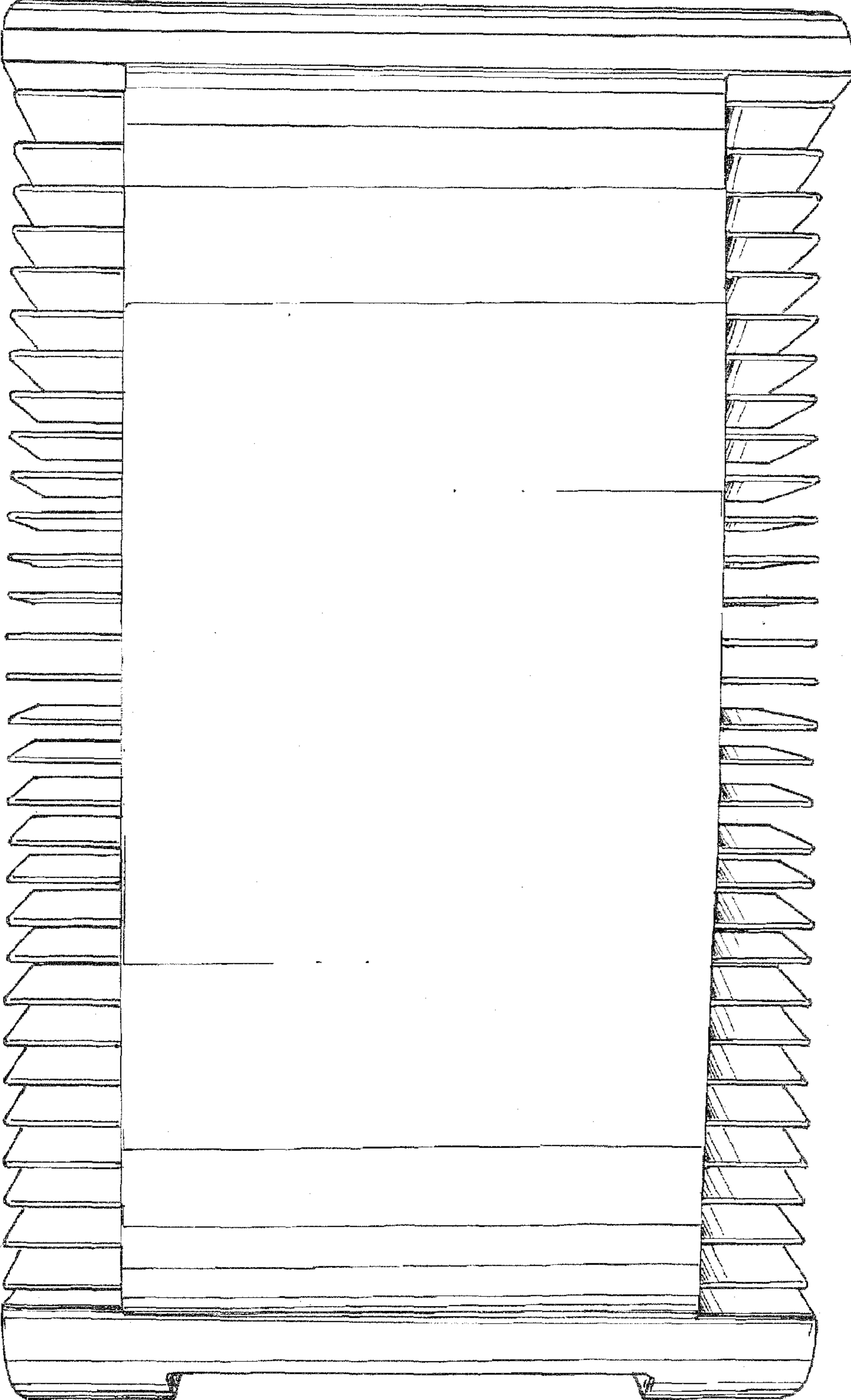


FIG. 7