



US00D558729S

(12) **United States Design Patent**
Daly et al.

(10) **Patent No.: US D558,729 S**
(45) **Date of Patent: ** Jan. 1, 2008**

(54) **DESKTOP PHONE**

(75) Inventors: **Martin Daly**, South Orange, NJ (US);
James Farber, Rumson, NJ (US);
Antoinette Mazza, Somerset, NJ (US);
Wolfgang Schneider, Frankfurt (DE);
Claus-Christian Eckhardt, Hannover (DE)

(73) Assignee: **Avaya Technology Corp.**, Basking Ridge, NJ (US)

(**) Term: **14 Years**

(21) Appl. No.: **29/261,054**

(22) Filed: **Jun. 7, 2006**

(51) **LOC (8) Cl.** **14-03**
(52) **U.S. Cl.** **D14/151**
(58) **Field of Classification Search** D14/130,
D14/140.7-140.11, 140-140.1, 142, 144,
D14/149-151, 240, 248; D21/517; 379/419,
379/428.01-428.04, 420.01, 434-436, 440-442,
379/454-455, 88.17, 90.01, 93.17; 382/103;
455/73, 566-569.1

See application file for complete search history.

(56) **References Cited**

U.S. PATENT DOCUMENTS

D237,505 S *	11/1975	Thies	D14/150
D268,579 S *	4/1983	Marshall	D14/149
D284,003 S *	5/1986	Tamura	D14/142
D381,981 S *	8/1997	Johansson	D14/151
D412,330 S *	7/1999	Shigemura	D14/151
D420,405 S *	2/2000	Plain et al.	D21/517
D426,535 S *	6/2000	Zeitman	D14/151
D478,885 S *	8/2003	Pilotti	D14/151

D502,163 S *	2/2005	Pelletier	D14/151
D529,894 S *	10/2006	Yanagisawa et al.	D14/151
D530,303 S *	10/2006	Tang	D14/151
2004/0234071 A1 *	11/2004	Bae et al.	379/419
2005/0069126 A1 *	3/2005	Xue	379/454

OTHER PUBLICATIONS

“Budge Tone 200 SIP Phone”, 1 p including photo, [online],
<URL:http://voipstore.atacomm.com/Shops/ViewItem.aspx/
27934028032-51246975744.htm>, retrieved May 17, 2007.*

“Northwestern Bell 23110”, 1 p including photo, [online],
<URL:http://www.101phones.com/flypage/4544/none/
Northwestern_Bell_23110>, retrieved May 17, 2007.*

* cited by examiner

Primary Examiner—Ian Simmons

Assistant Examiner—Carla Jobe Wright

(57) **CLAIM**

The ornamental design for a desktop phone, as shown.

DESCRIPTION

FIG. 1 is a right-front perspective view of the desktop phone showing our new design;

FIG. 2 is a front view thereof;

FIG. 3 is a back view thereof;

FIG. 4 is a left side view thereof;

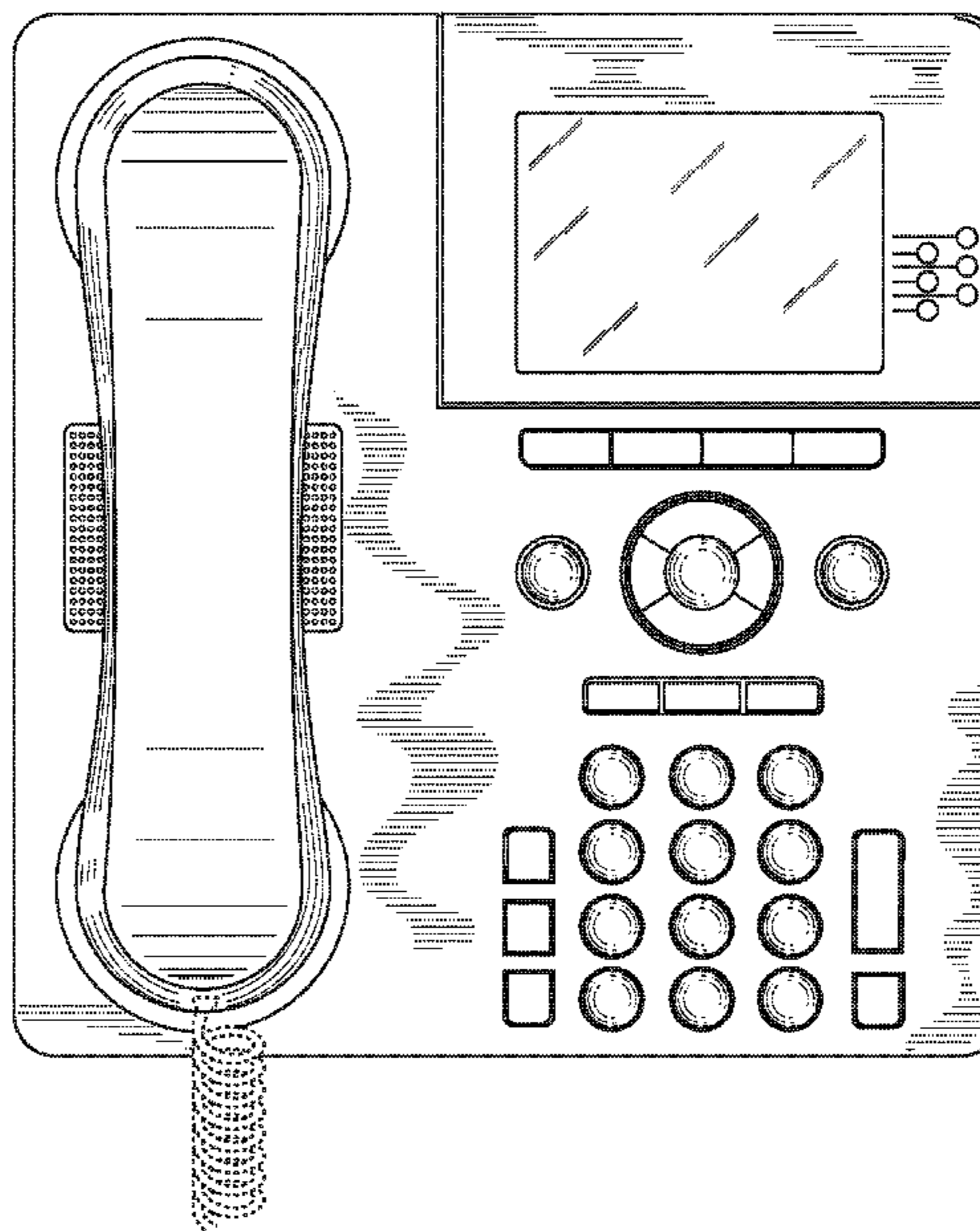
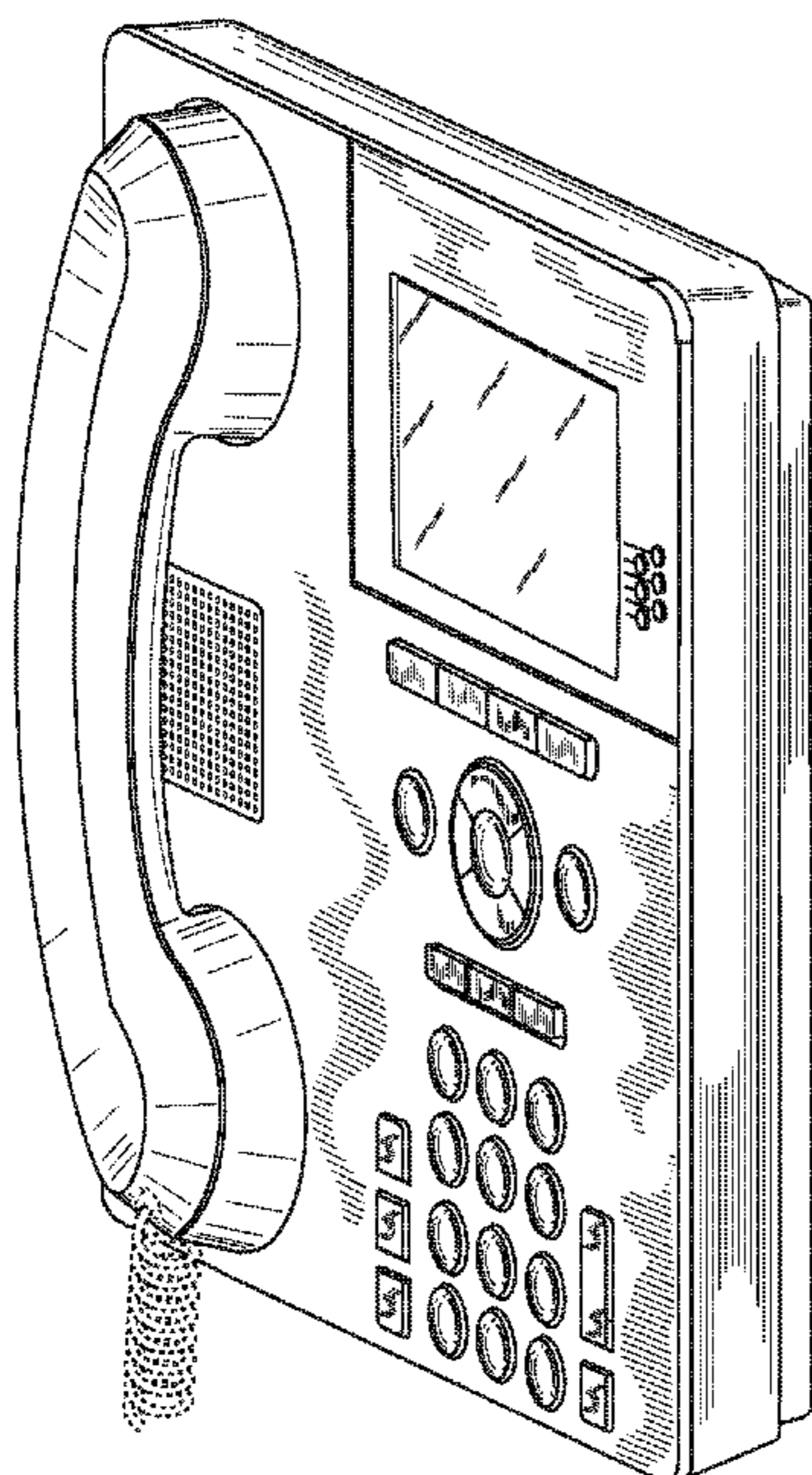
FIG. 5 is a right side view thereof;

FIG. 6 is a bottom view thereof; and,

FIG. 7 is a top view thereof.

The broken line showing of environmental structures is for illustrative purposes only and forms no part of the claimed design.

1 Claim, 5 Drawing Sheets



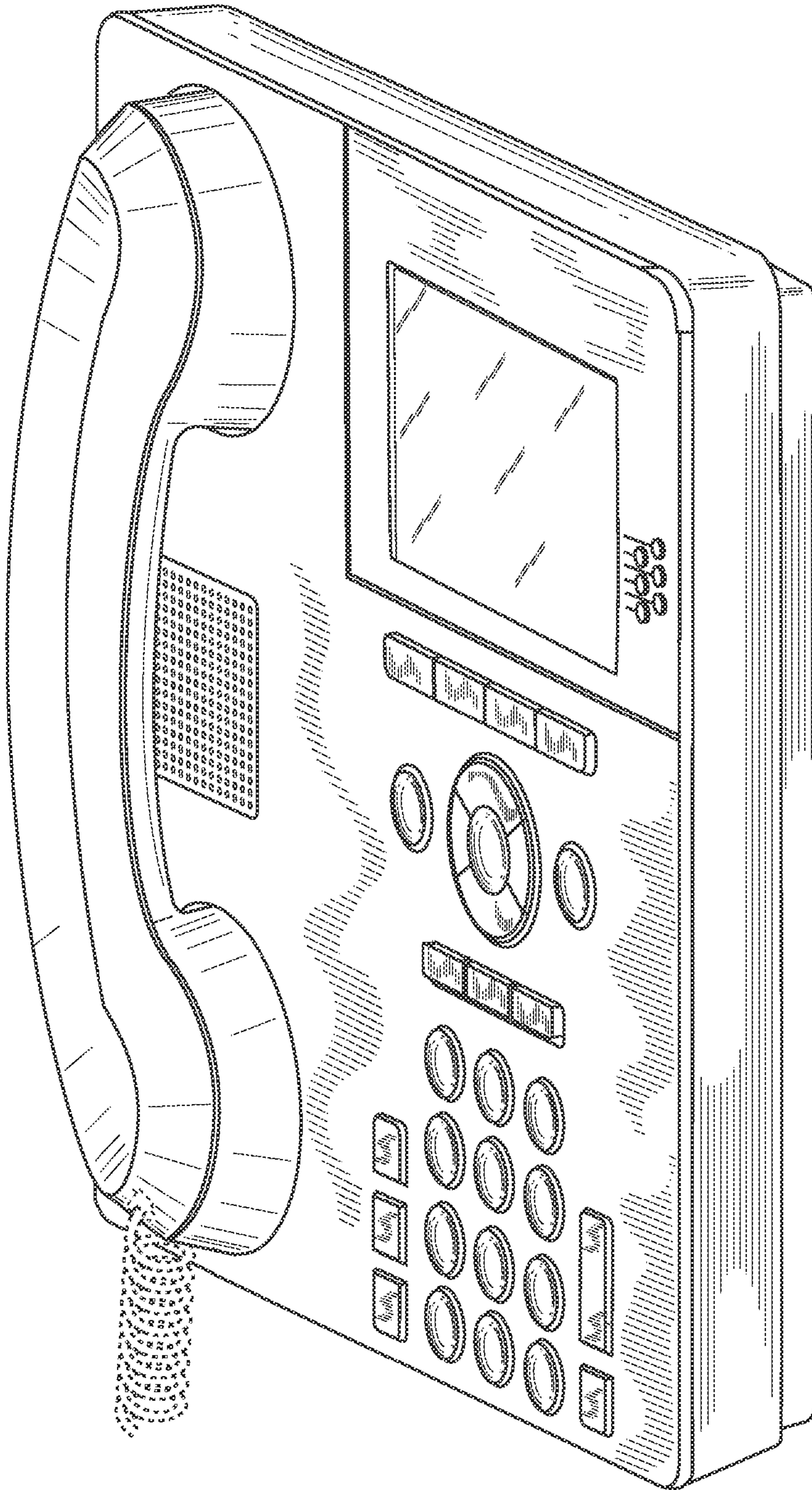


FIG. 1

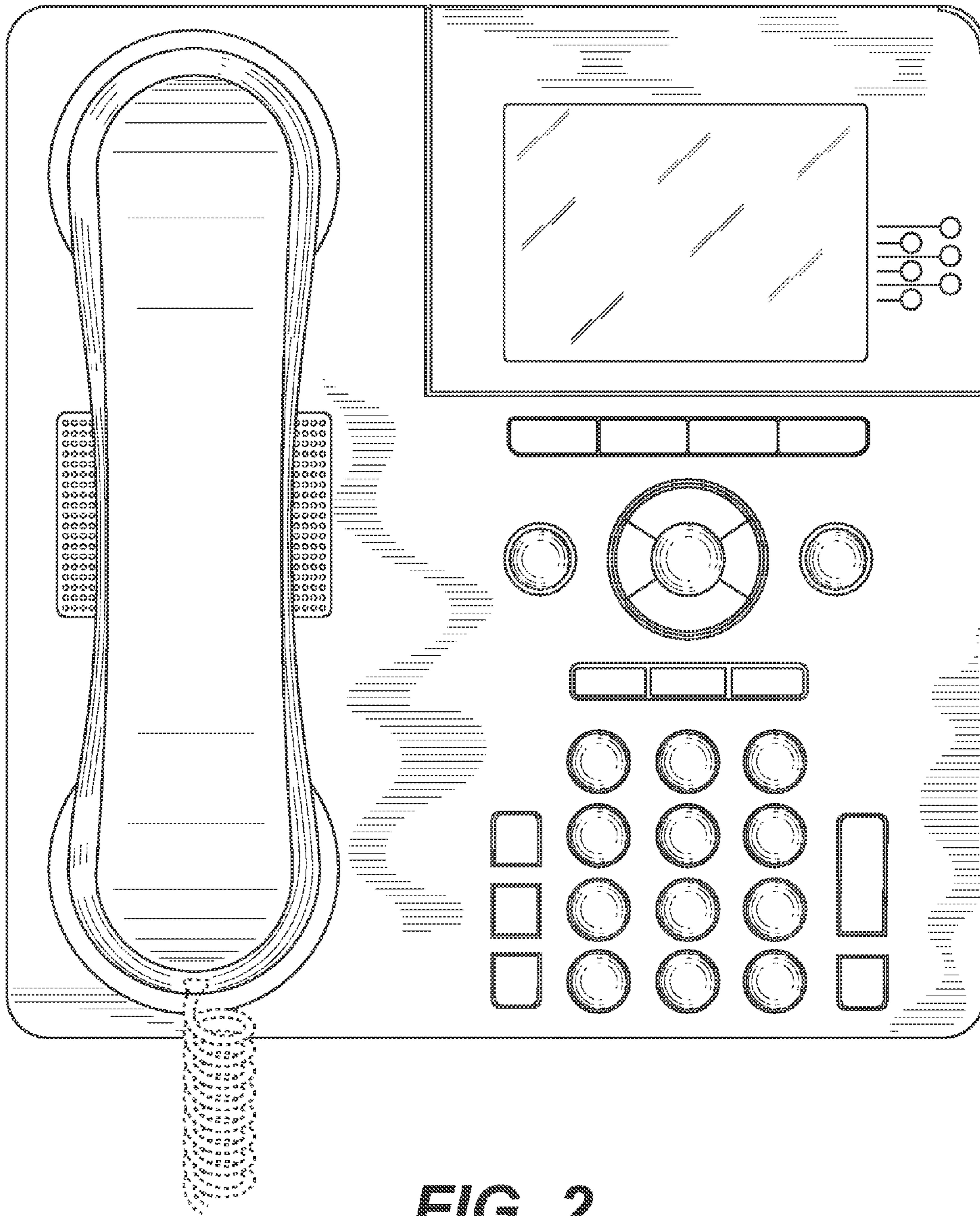


FIG. 2

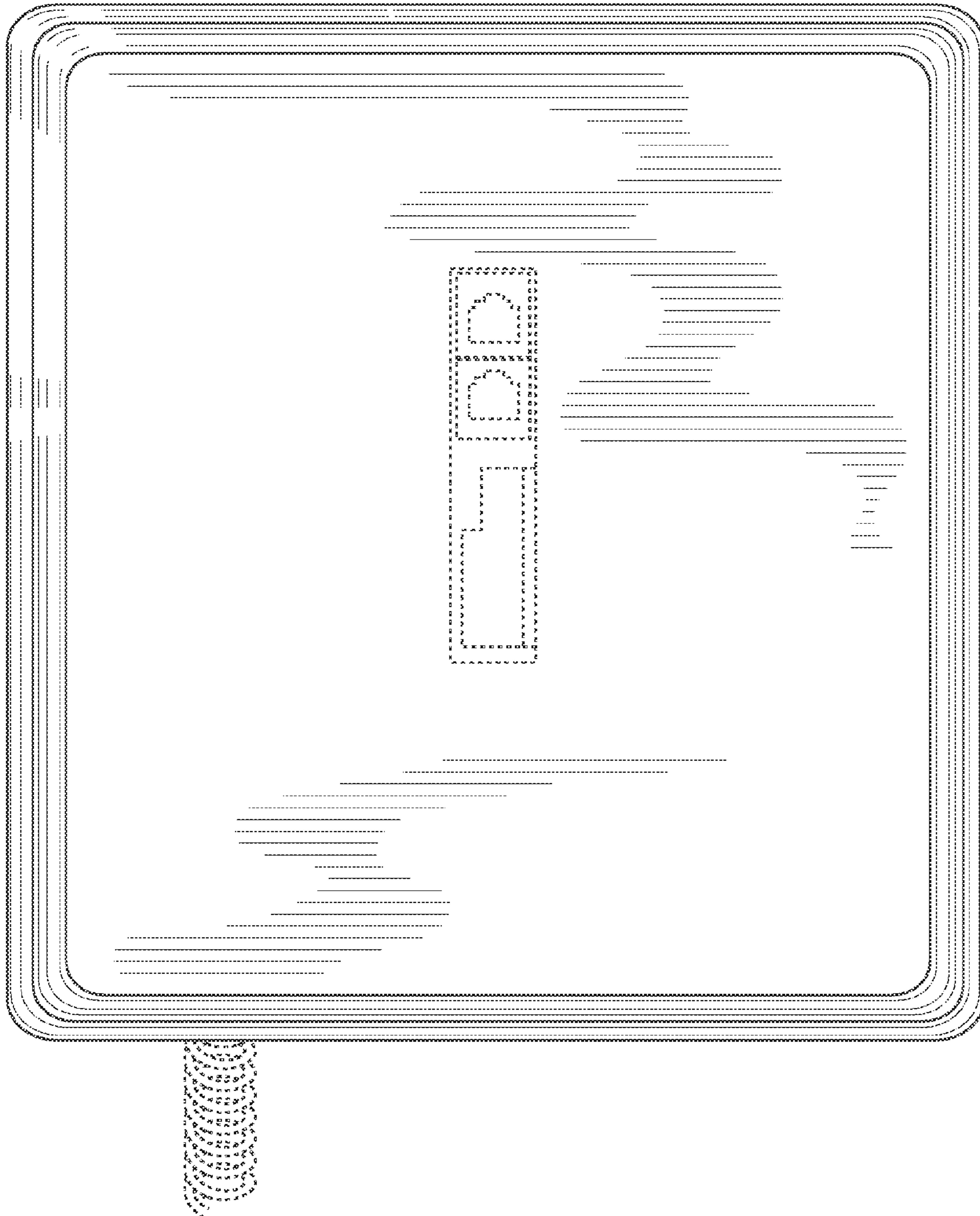


FIG. 3

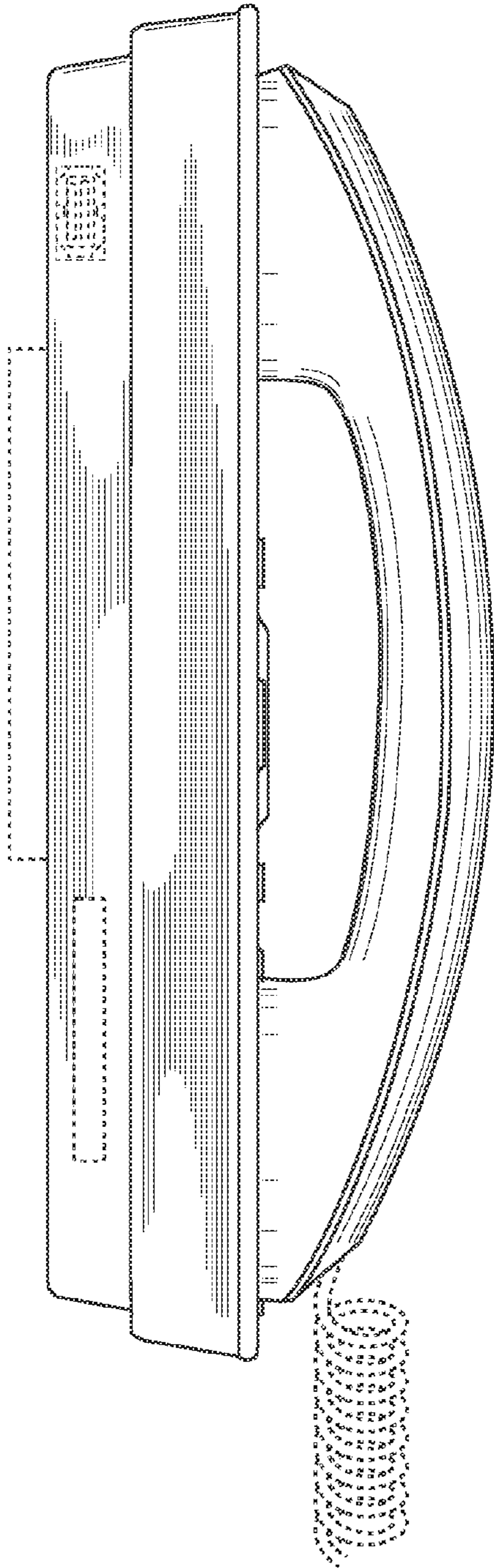


FIG. 4

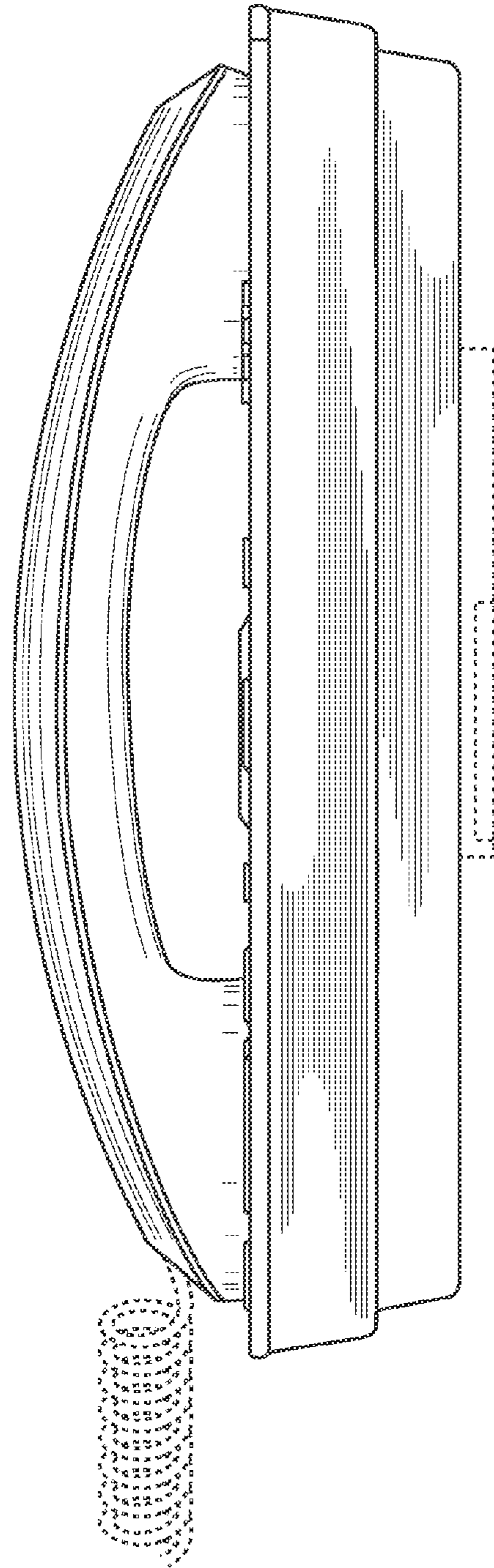


FIG. 5

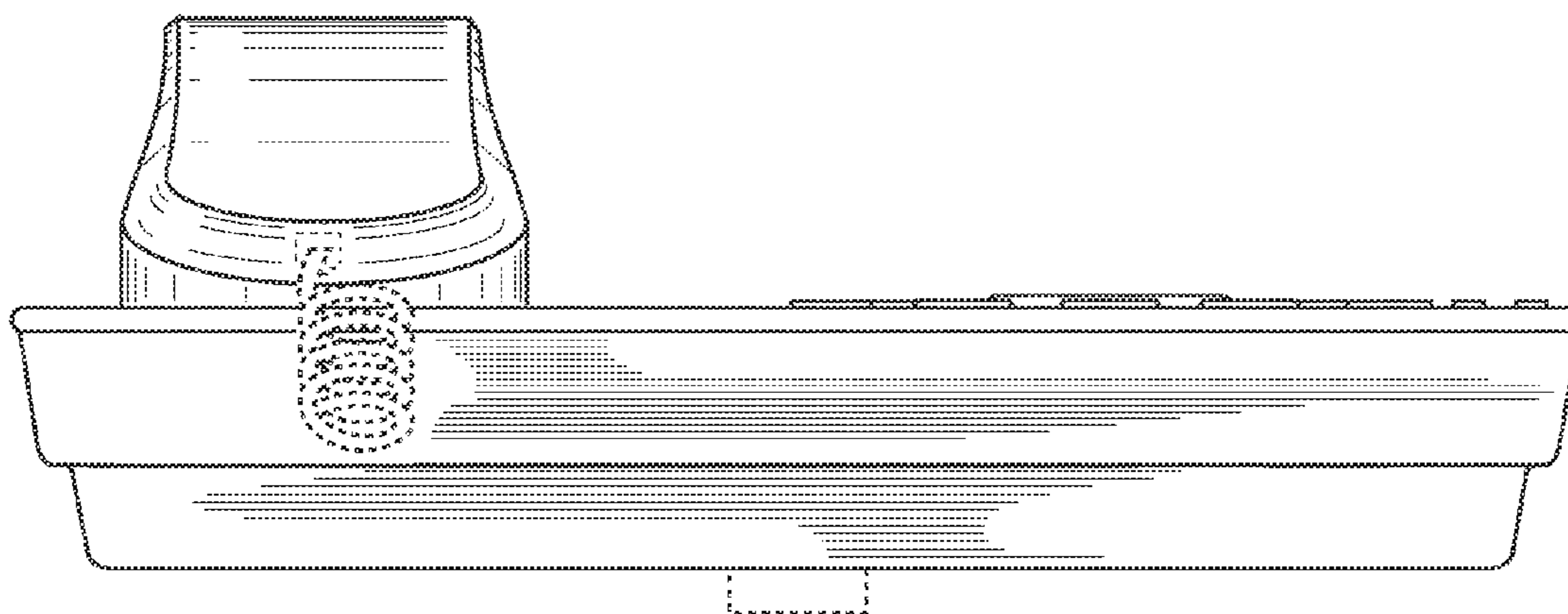


FIG. 6

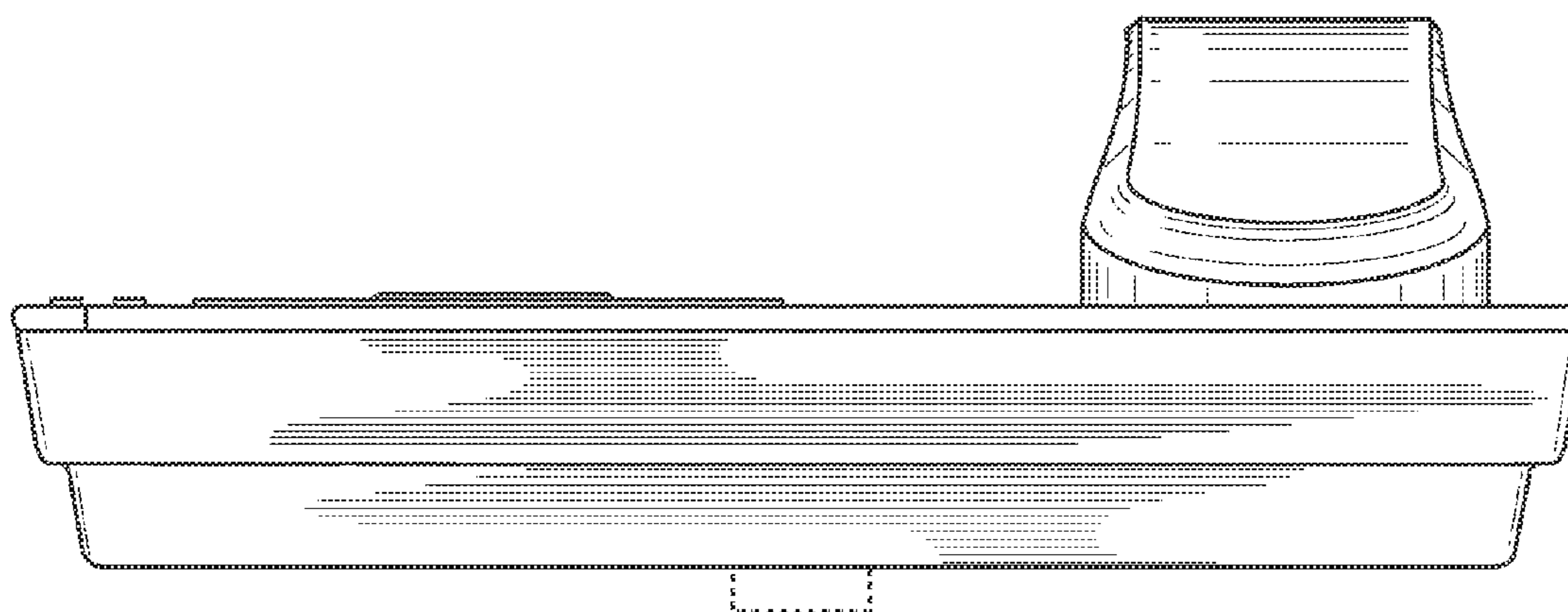


FIG. 7