



US00D558715S

(12) **United States Design Patent** (10) **Patent No.:** **US D558,715 S**
Lee (45) **Date of Patent:** **** Jan. 1, 2008**

(54) **MOBILE PHONE**

(75) Inventor: **Young-Keun Lee**, Seoul (KR)

(73) Assignee: **Samsung Electronics Co., Ltd.**,
Suwon-Si (KR)

(**) Term: **14 Years**

(21) Appl. No.: **29/266,317**

(22) Filed: **Sep. 19, 2006**

(30) **Foreign Application Priority Data**

Jul. 12, 2006 (KR) 30-3006-0029401

(51) **LOC (8) Cl.** **14-03**

(52) **U.S. Cl.** **D14/138**

(58) **Field of Classification Search** D14/137,
D14/138, 147, 218, 341-347, 496; 455/90.3,
455/556.1, 556.2, 575.1, 575.3, 575.4; 379/433.01-433.13;
361/814; 348/14.02

See application file for complete search history.

(56) **References Cited**

U.S. PATENT DOCUMENTS

D412,168 S *	7/1999	Phillips et al.	D14/138
D479,215 S *	9/2003	Yokoyama	D14/138
D492,305 S *	6/2004	Choi et al.	D14/346
D502,160 S *	2/2005	Chen et al.	D14/138
D503,164 S *	3/2005	Park et al.	D14/138
D508,688 S *	8/2005	Lee et al.	D14/138
D515,060 S *	2/2006	Lee et al.	D14/138
D515,537 S *	2/2006	Kim et al.	D14/138
D524,781 S *	7/2006	Lyles	D14/138
D529,472 S *	10/2006	Kim et al.	D14/138
D530,696 S *	10/2006	Lee	D14/138

(Continued)

OTHER PUBLICATIONS

Innostream INNO P10, announced Jun. 2005, [online], [retrieved on Feb. 20, 2007]. Retrieved from Internet ,<URL: http://www.gsmarena.com>.*

Samsung D820, announced 4th quarter 2005, [online], [retrieved on Feb. 8, 2007]. Retrieved from Internet ,<URL: http://www.gsmarena.com>.*

Gigabyte g-Smart, announced 2005, [online], [retrieved on Feb. 20, 2007]. Retrieved from Internet ,<URL: http://www.gsmarena.com>.*

Pantech PG-3900, announced 2nd quarter 2006, [online], [retrieved on Feb. 20, 2007]. Retrieved from Internet ,<URL: http://www.gsmarena.com>.*

Primary Examiner—Jeffrey Asch
Assistant Examiner—Bridget L Eland

(74) *Attorney, Agent, or Firm*—Staas & Halsey LLP

(57) **CLAIM**

The ornamental design for a mobile phone, as shown and described.

DESCRIPTION

FIG. 1 is a front perspective view of the mobile phone showing my design;

FIG. 2 is a front view thereof;

FIG. 3 is a rear view thereof;

FIG. 4 is a left side view thereof;

FIG. 5 is a right side view thereof;

FIG. 6 is a top plan view thereof;

FIG. 7 is a bottom plan view thereof; and,

FIG. 8 is a front, perspective view thereof showing an earphone removed;

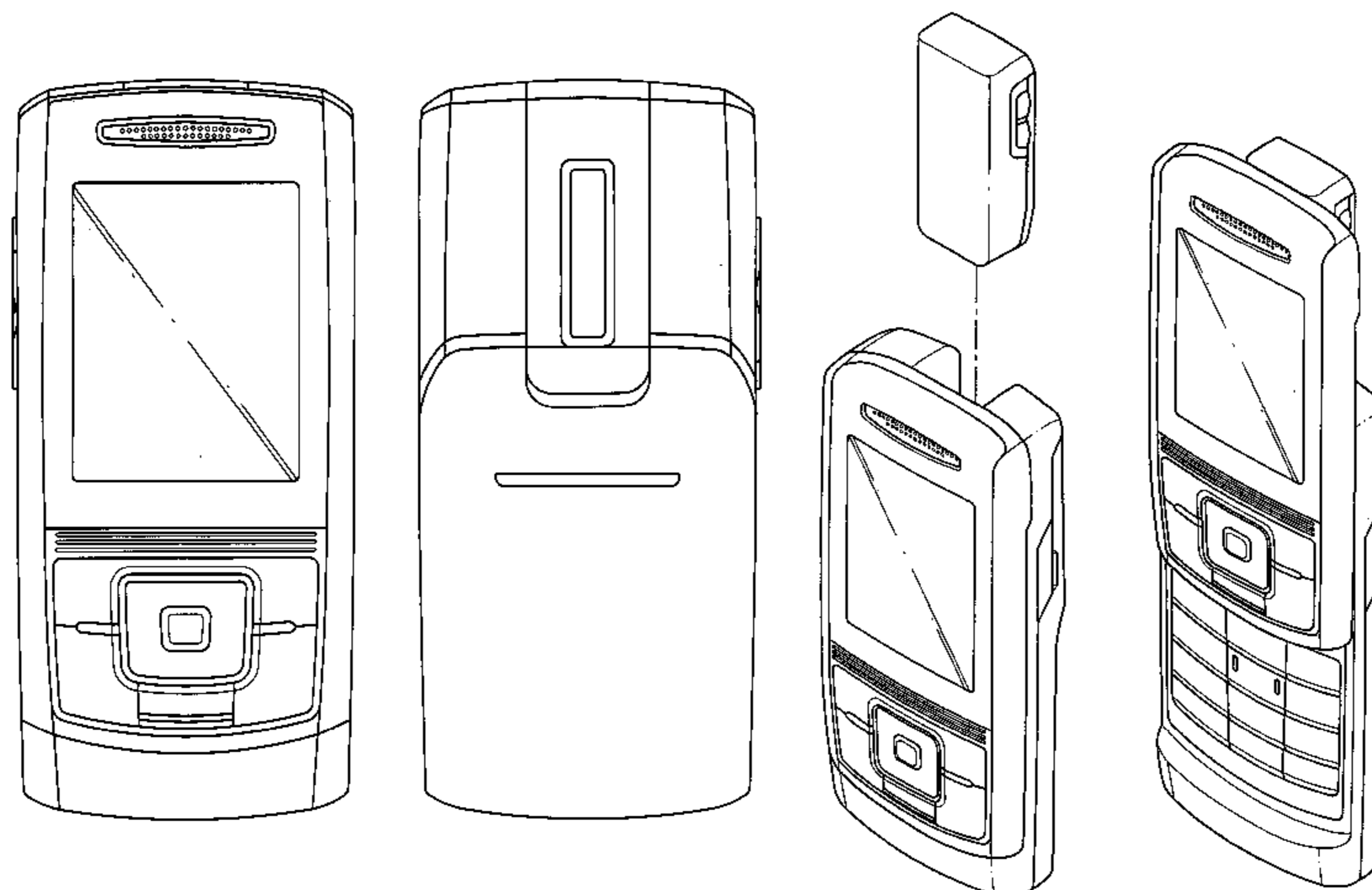
FIG. 9 is a front perspective open view of the mobile phone;

FIG. 10 is a rear perspective view of the mobile phone as shown in FIG. 8; and,

FIG. 11 is a rear perspective view of the mobile phone as shown in FIG. 9.

The dashed lines in FIGS. 8 and 10 indicate the path along which the earphone has been exploded from the handset.

1 Claim, 5 Drawing Sheets



US D558,715 S

Page 2

U.S. PATENT DOCUMENTS

D534,144 S *	12/2006	Chung et al.	D14/138	D543,523 S *	5/2007	Lee et al.	D14/138
D534,518 S *	1/2007	Choi et al.	D14/138	2004/0242264 A1 *	12/2004	Cho	455/550.1
D534,892 S *	1/2007	Lee et al.	D14/138	2005/0009581 A1 *	1/2005	Im et al.	455/575.4
D535,275 S *	1/2007	Kim et al.	D14/138	2005/0255897 A1 *	11/2005	Lee et al.	455/575.4
D539,778 S *	4/2007	Yeh et al.	D14/138	2007/0021160 A1 *	1/2007	Li	455/575.4
D543,189 S *	5/2007	Jung et al.	D14/138	2007/0091582 A1 *	4/2007	Ku et al.	361/814

* cited by examiner

FIG. 1

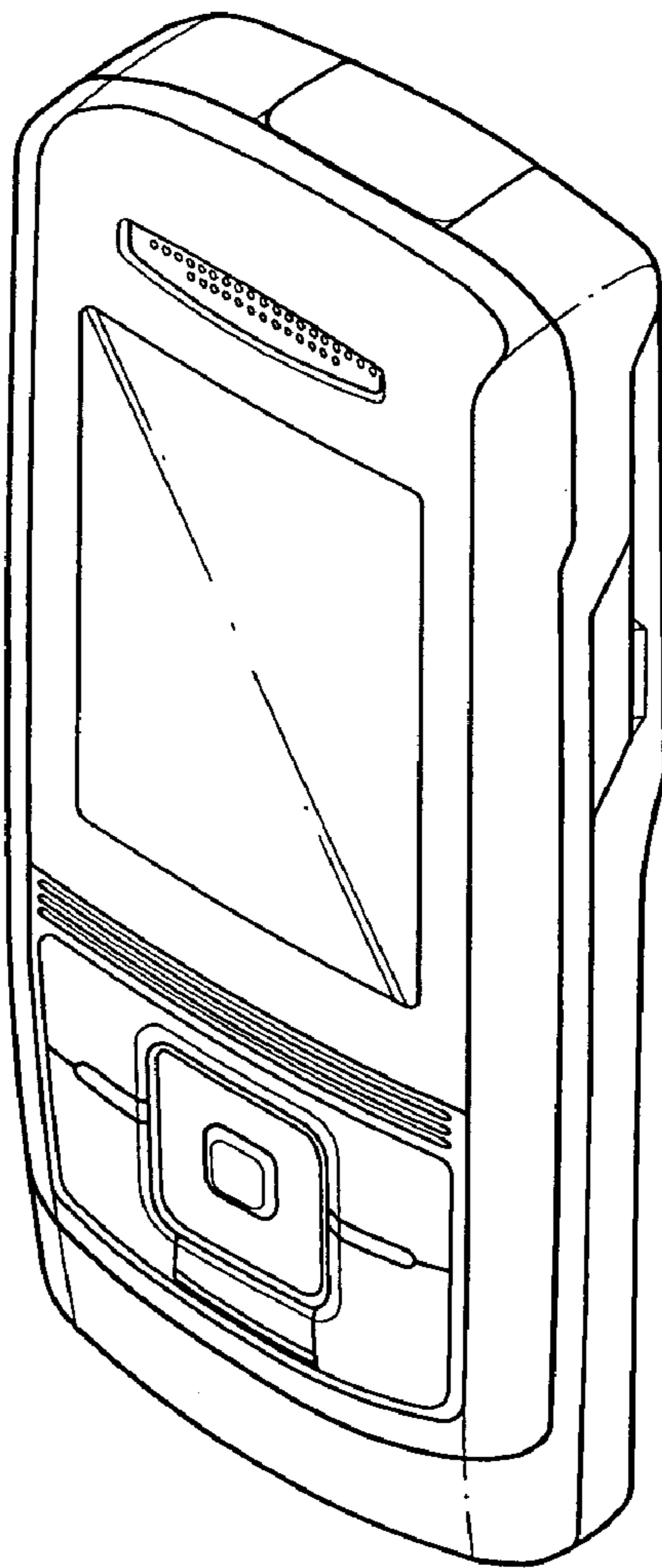


FIG.2

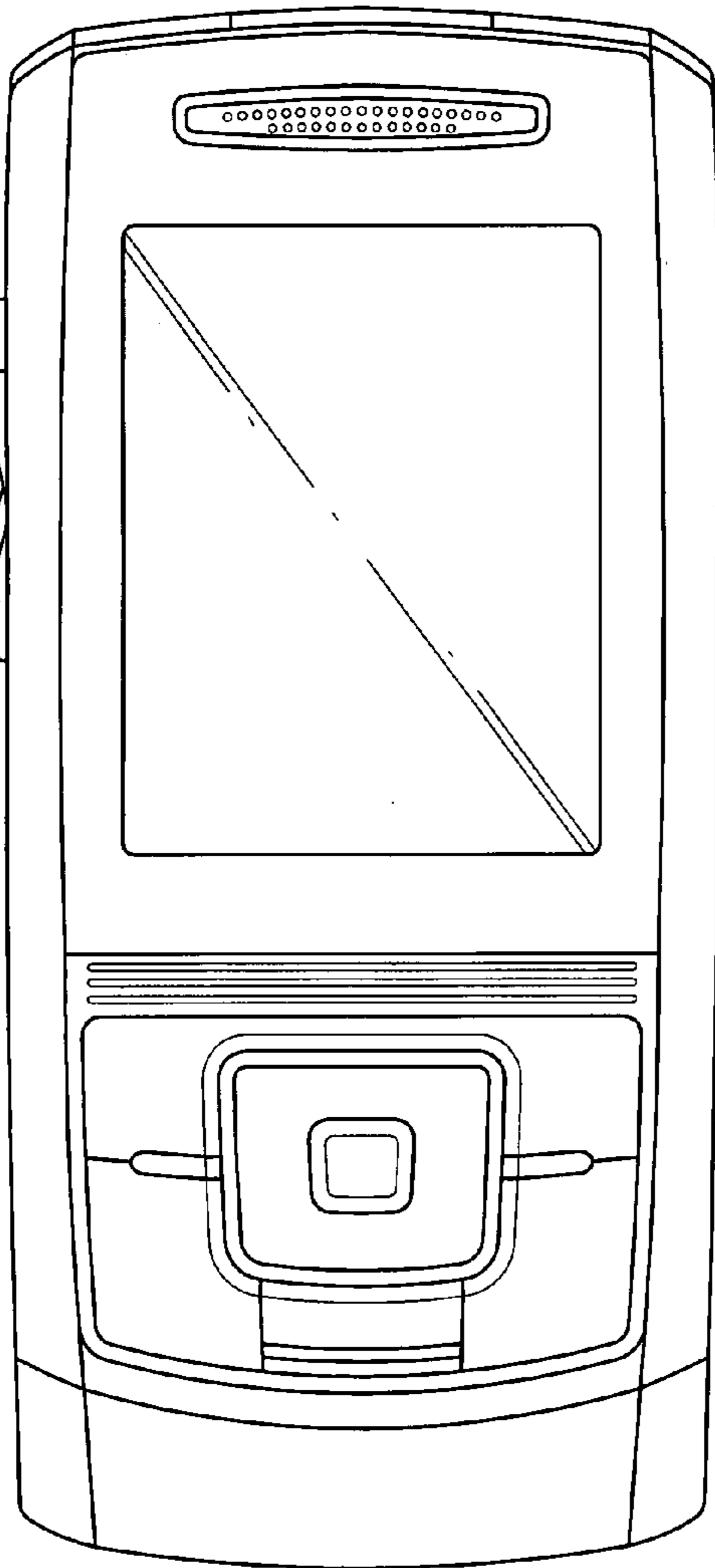


FIG.3

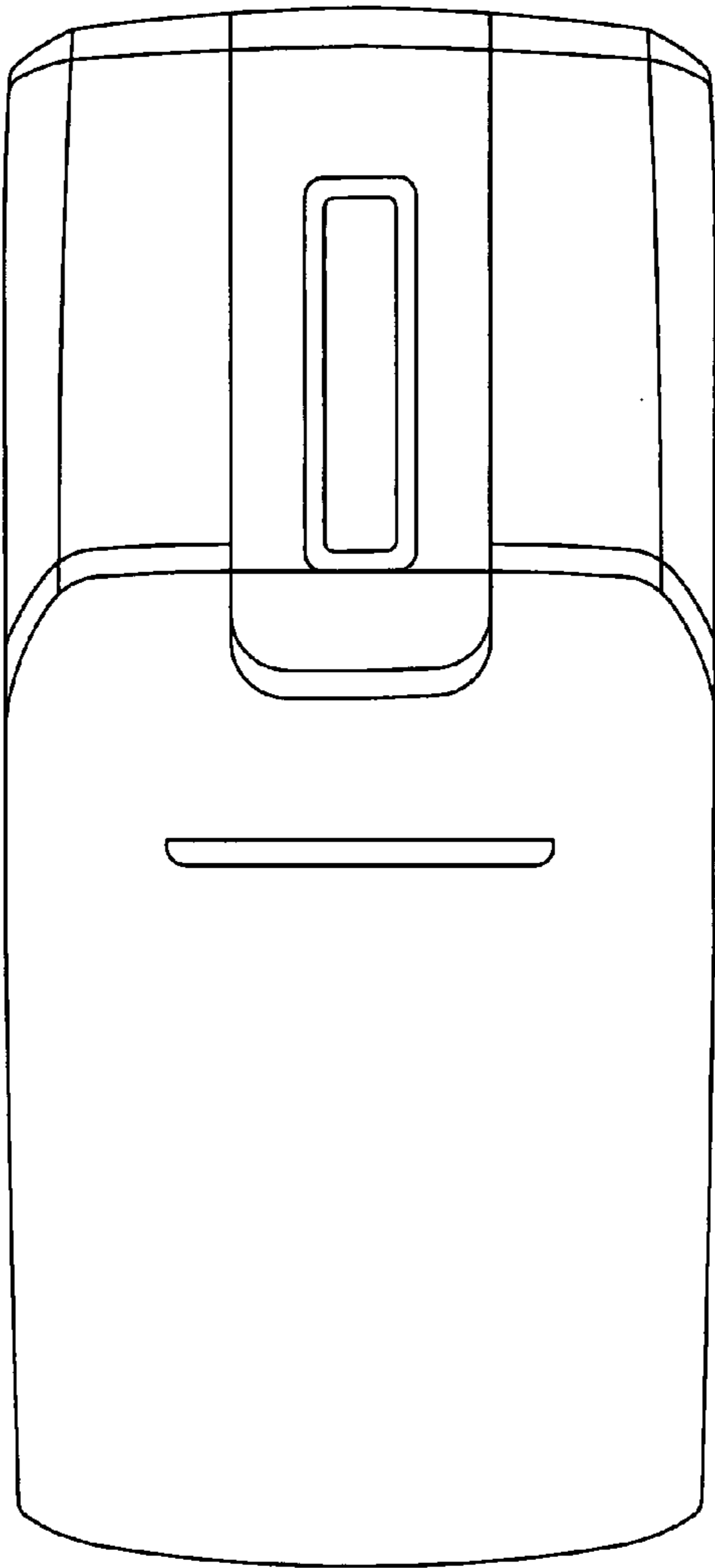


FIG. 4

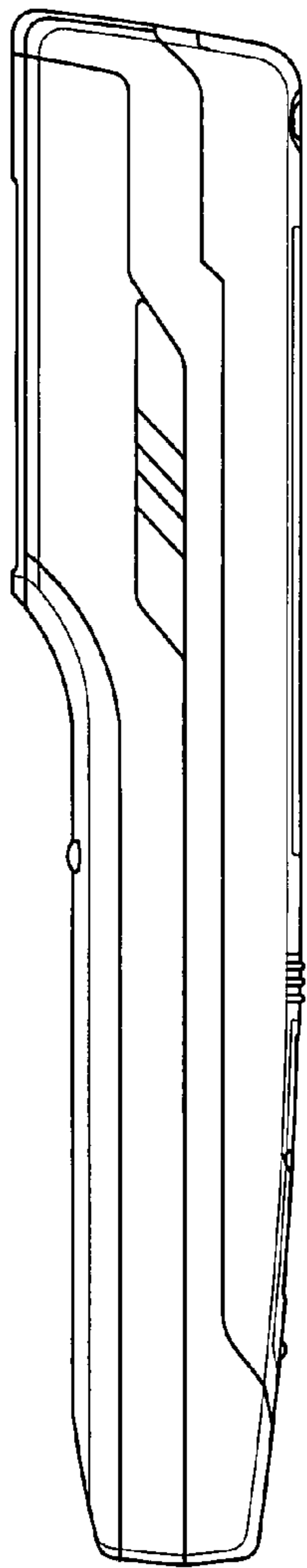


FIG. 5

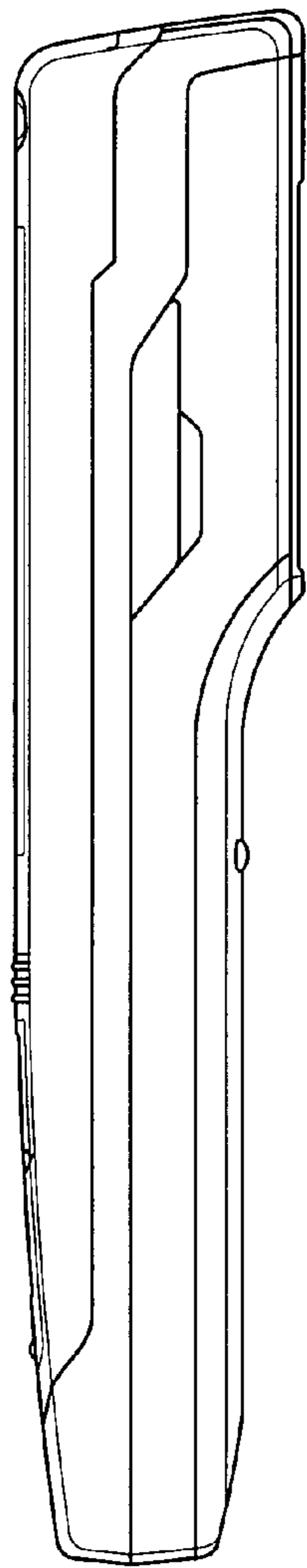


FIG. 6

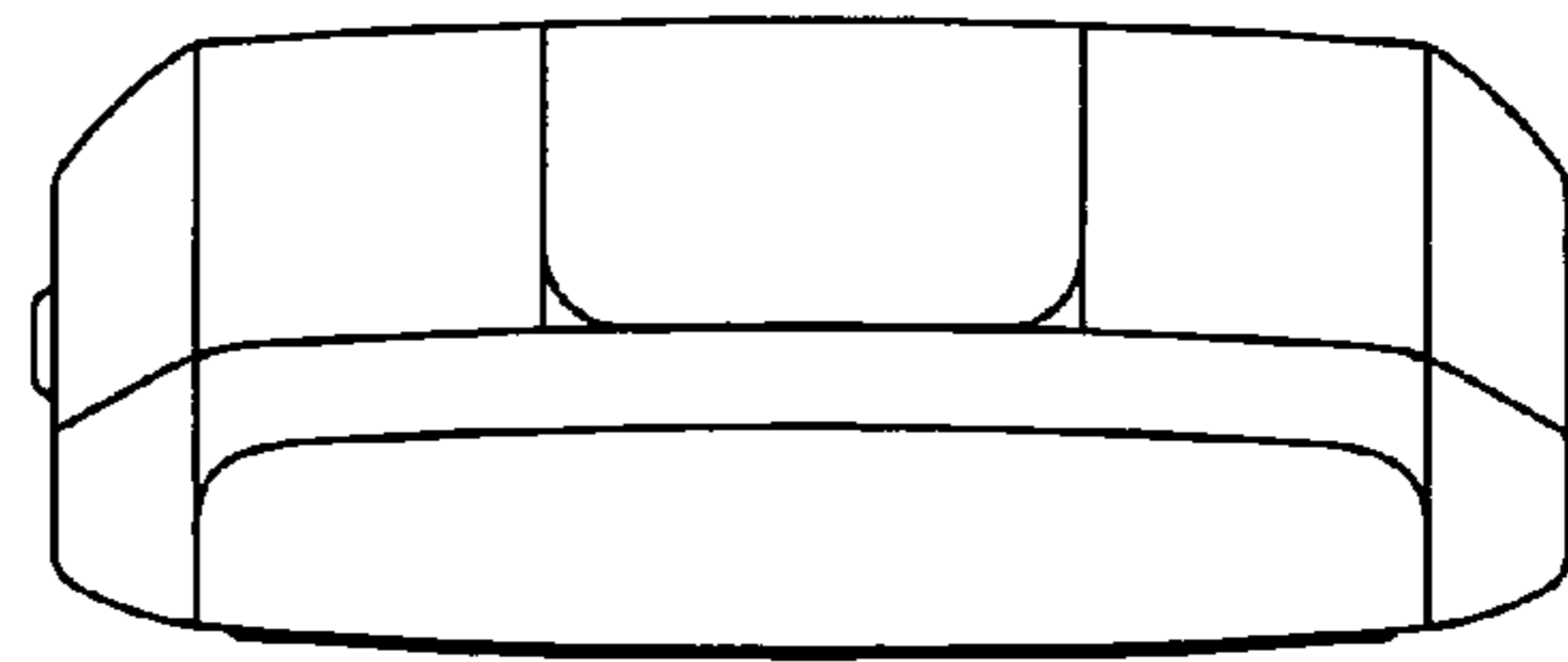


FIG. 7

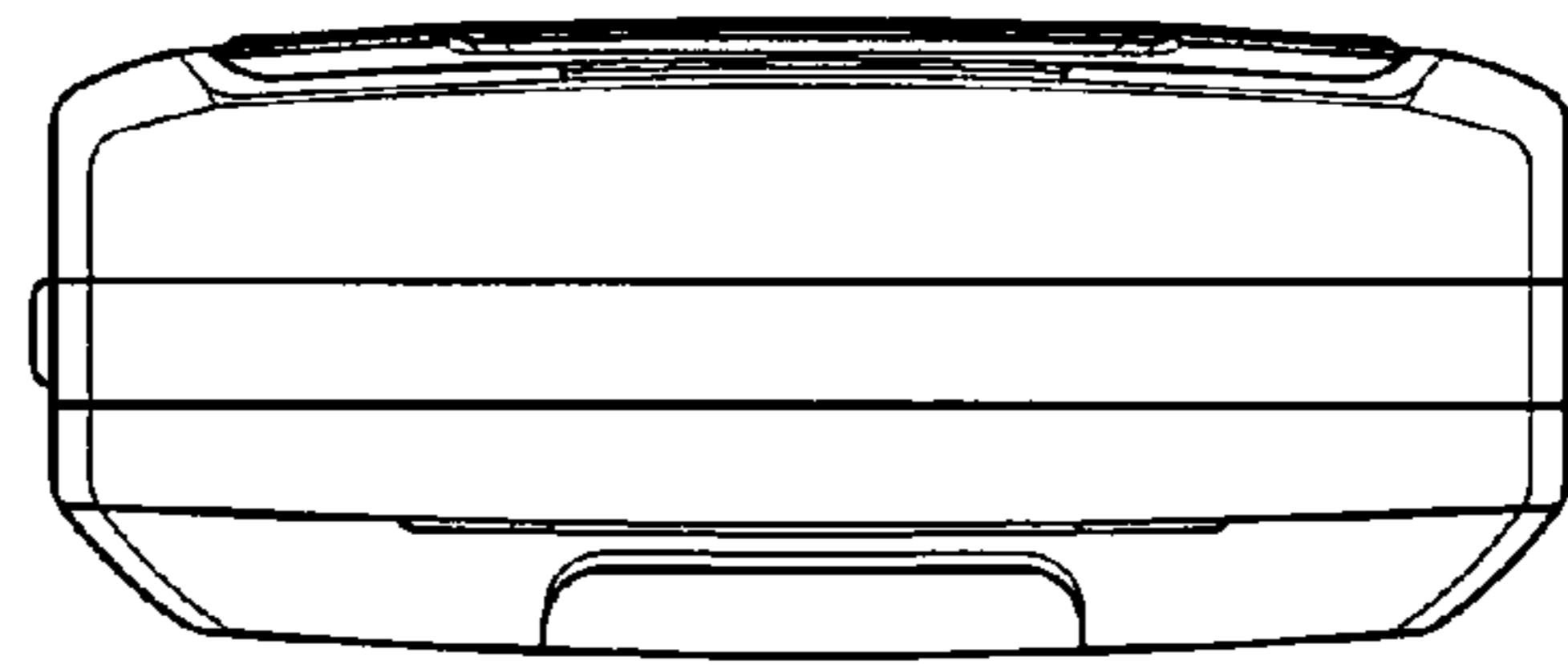


FIG. 8

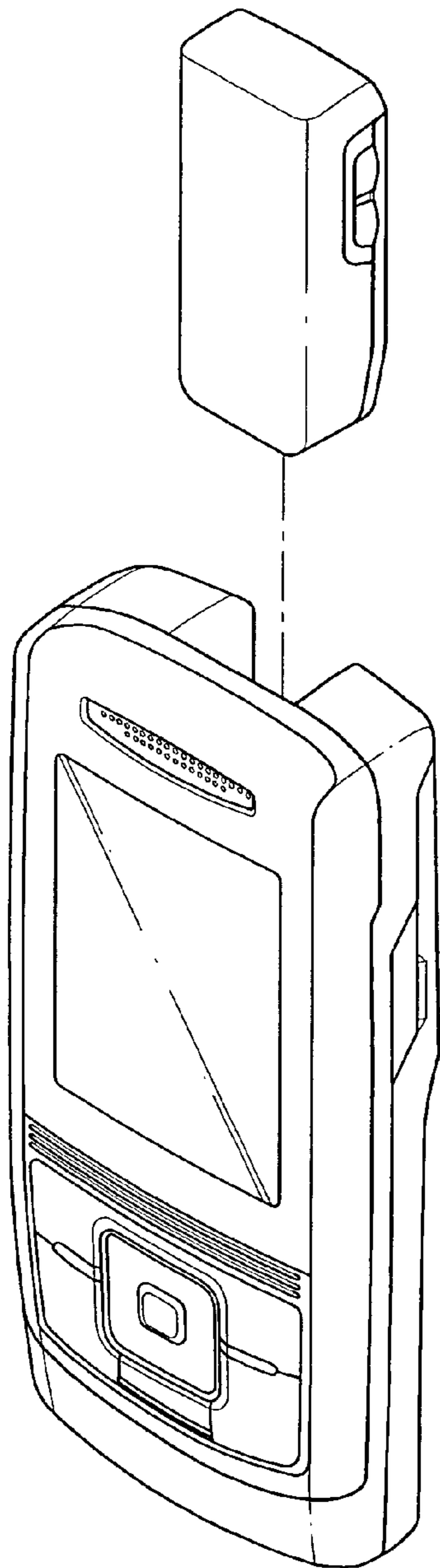


FIG. 9

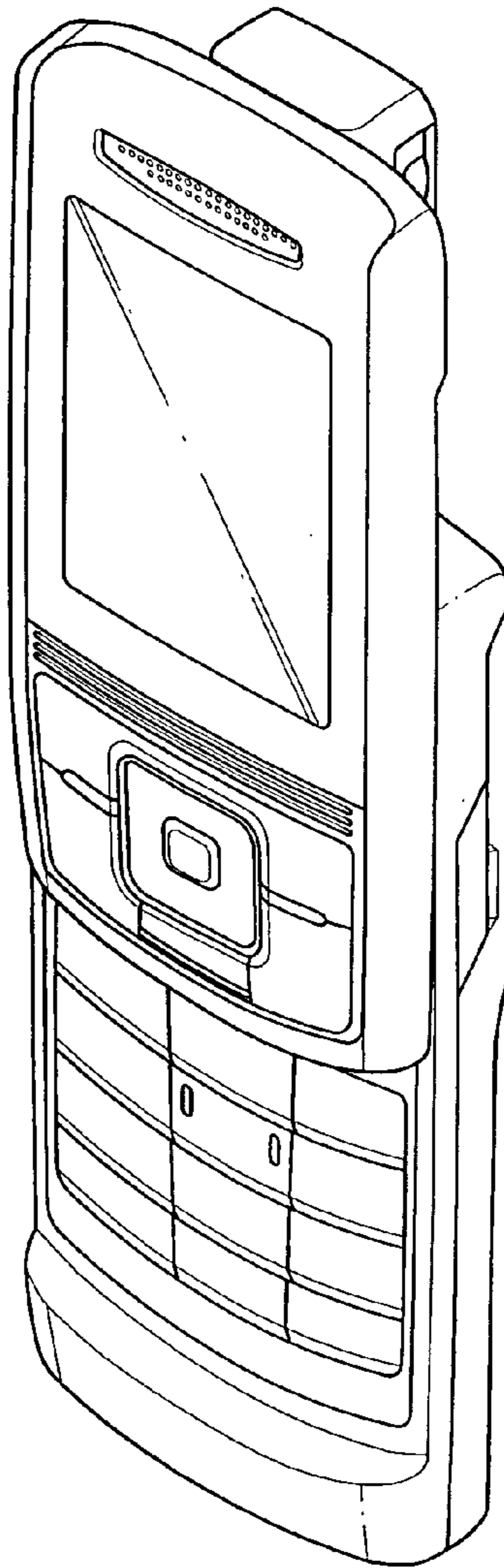


FIG. 10

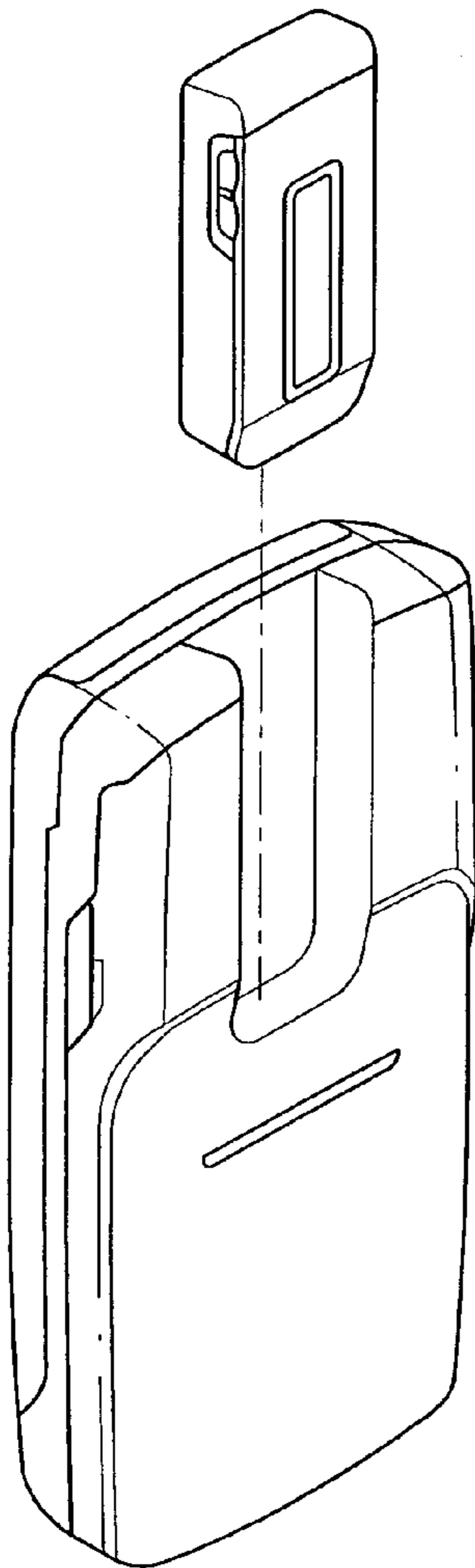


FIG. 11

