

US00D558714S

(12) **United States Design Patent** (10) **Patent No.:** **US D558,714 S**
Kim et al. (45) **Date of Patent:** **** Jan. 1, 2008**

(54) **PORTABLE PHONE**

(75) Inventors: **Young-Sae Kim**, Palo Alto, CA (US);
Young-Ju Yeo, Seoul (KR);
Chang-Hwan Hwang, Goyang-Si (KR)

(73) Assignee: **Samsung Electronics Co., Ltd.**,
Suwon-Si (KR)

(**) Term: **14 Years**

(21) Appl. No.: **29/266,249**

(22) Filed: **Sep. 18, 2006**

(30) **Foreign Application Priority Data**

Mar. 17, 2006 (KR) 30-2006-0010004

(51) **LOC (8) Cl.** **14-03**

(52) **U.S. Cl.** **D14/138**

(58) **Field of Classification Search** D14/137,
D14/138, 147, 218, 341-347, 496; 455/90.3,
455/556.1, 556.2, 575.1, 575.3, 575.4; 379/433.01-433.13;
361/814; 348/14.02

See application file for complete search history.

(56) **References Cited**

U.S. PATENT DOCUMENTS

D496,644 S * 9/2004 Yoo et al. D14/138
D498,754 S * 11/2004 Blyth D14/341
D512,393 S * 12/2005 Lee et al. D14/138
D525,608 S * 7/2006 Ryu D14/138

(Continued)

FOREIGN PATENT DOCUMENTS

WO DM/067694 * 3/2006

OTHER PUBLICATIONS

LG V9000, announced Feb. 2006, [online], [retrieved on Feb. 20, 2007]. Retrieved from Internet , <URL: http://www.gsmarena.com>.*

Pantech PG-1600, announced Jun. 2006, [online], [retrieved on Feb. 20, 2007]. Retrieved from Internet , <URL: http://www.gsmarena.com>.*

Haier M80, announced 2nd quarter 2006, [online], [retrieved on Feb. 20, 2007]. Retrieved from Internet , <URL: http://www.gsmarena.com>.*

i-mate PDAL, announced Nov. 2006, [online], [retrieved on Feb. 20, 2007]. Retrieved from Internet , <URL: http://www.gsmarena.com>.*

LG KU950, announced Feb. 2007, [online], [retrieved on Feb. 20, 2007]. Retrieved from Internet , <URL: http://www.gsmarena.com>.*

Toshiba G900, announced Feb. 2007, [online], [retrieved on Feb. 20, 2007]. Retrieved from Internet , <URL: http://www.gsmarena.com>.*

Primary Examiner—Jeffrey Asch

Assistant Examiner—Bridget L Eland

(74) *Attorney, Agent, or Firm*—Staas & Halsey LLP

(57) **CLAIM**

The ornamental design for the portable phone, as shown and described.

DESCRIPTION

FIG. 1 is a perspective view of a portable phone;

FIG. 2 is a front view of the portable phone of FIG. 1;

FIG. 3 is a rear view of the portable phone of FIG. 1;

FIG. 4 is a left-side view of the portable phone of FIG. 1;

FIG. 5 is a right-side view of the portable phone of FIG. 1;

FIG. 6 is a top plan view of the portable phone of FIG. 1;

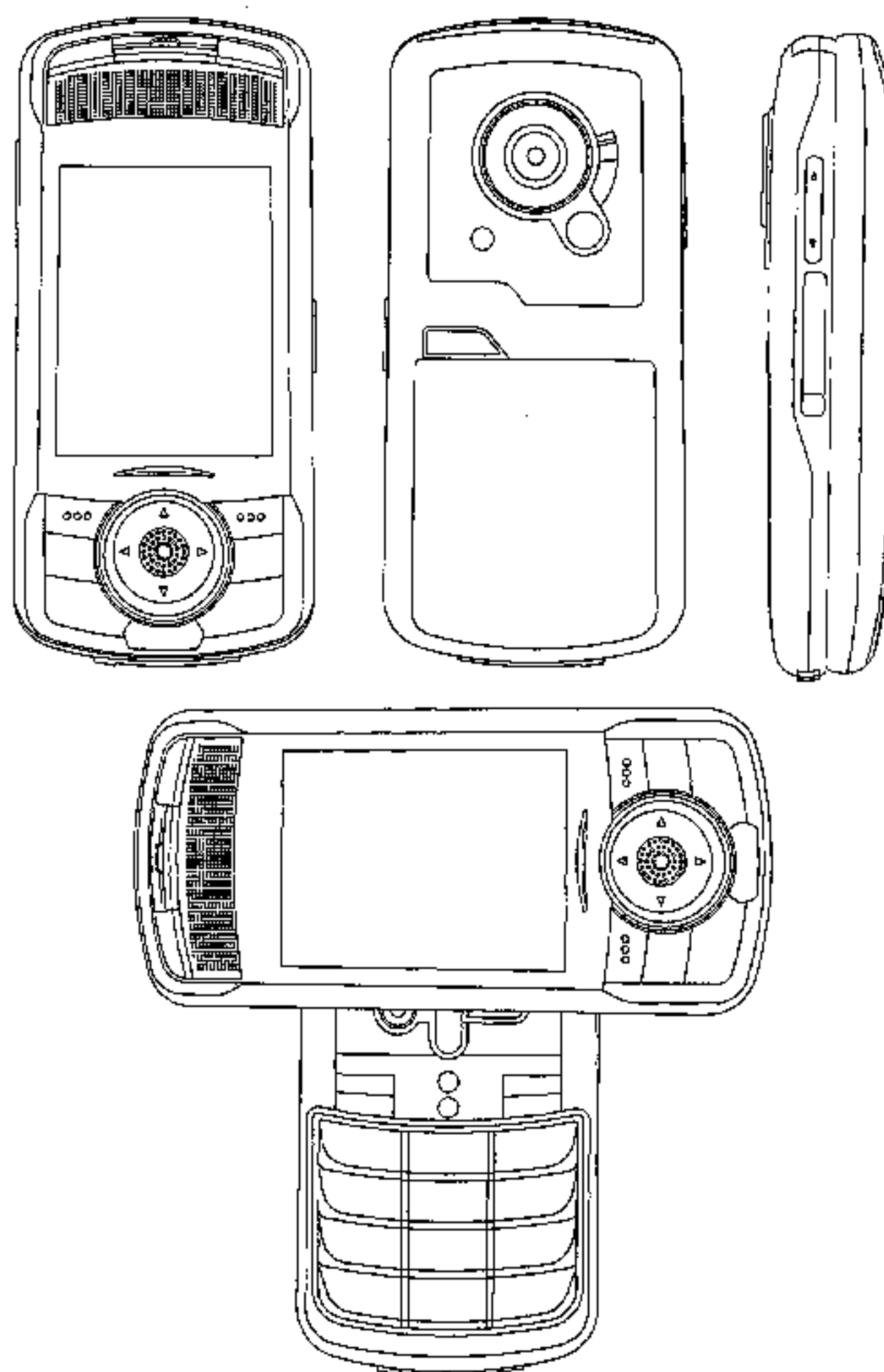
FIG. 7 is a bottom plan view of the portable phone of FIG. 1;

FIG. 8 is a front open view of the portable phone of FIG. 1;

FIG. 9 is a front open view of the portable phone of FIG. 1 showing the display part rotating while extended upward; and,

FIG. 10 is an open side view thereof showing the display part standing on an angle by rotating on a hinge.

1 Claim, 7 Drawing Sheets



US D558,714 S

Page 2

U.S. PATENT DOCUMENTS

D525,611 S *	7/2006	Jang	D14/138	D533,160 S *	12/2006	Yoo et al.	D14/138
D526,300 S *	8/2006	Lee	D14/138	D533,531 S *	12/2006	Hyun et al.	D14/138
D526,302 S *	8/2006	Kim	D14/138	D533,532 S *	12/2006	Kim et al.	D14/138
D526,303 S *	8/2006	Kim et al.	D14/138	D535,968 S *	1/2007	Lee	D14/138
D526,986 S *	8/2006	Kim	D14/138	D541,249 S *	4/2007	Hirano	D14/138
D527,717 S *	9/2006	Kim	D14/138	D541,777 S *	5/2007	Shimizu	D14/138
D528,090 S *	9/2006	Lee et al.	D14/138	2003/0211874 A1 *	11/2003	Mizuta et al.	455/575.4
D528,095 S *	9/2006	Kwon et al.	D14/138	2005/0124394 A1 *	6/2005	Kim et al.	455/575.3
D530,299 S *	10/2006	Lee	D14/138	2005/0124397 A1 *	6/2005	Yamasaki	455/575.4
D531,612 S *	11/2006	Kim et al.	D14/138	2005/0250532 A1 *	11/2005	Hwang et al.	455/550.1
D531,973 S *	11/2006	Kim et al.	D14/138	2006/0025184 A1 *	2/2006	Cho et al.	455/575.4

* cited by examiner

FIG. 1

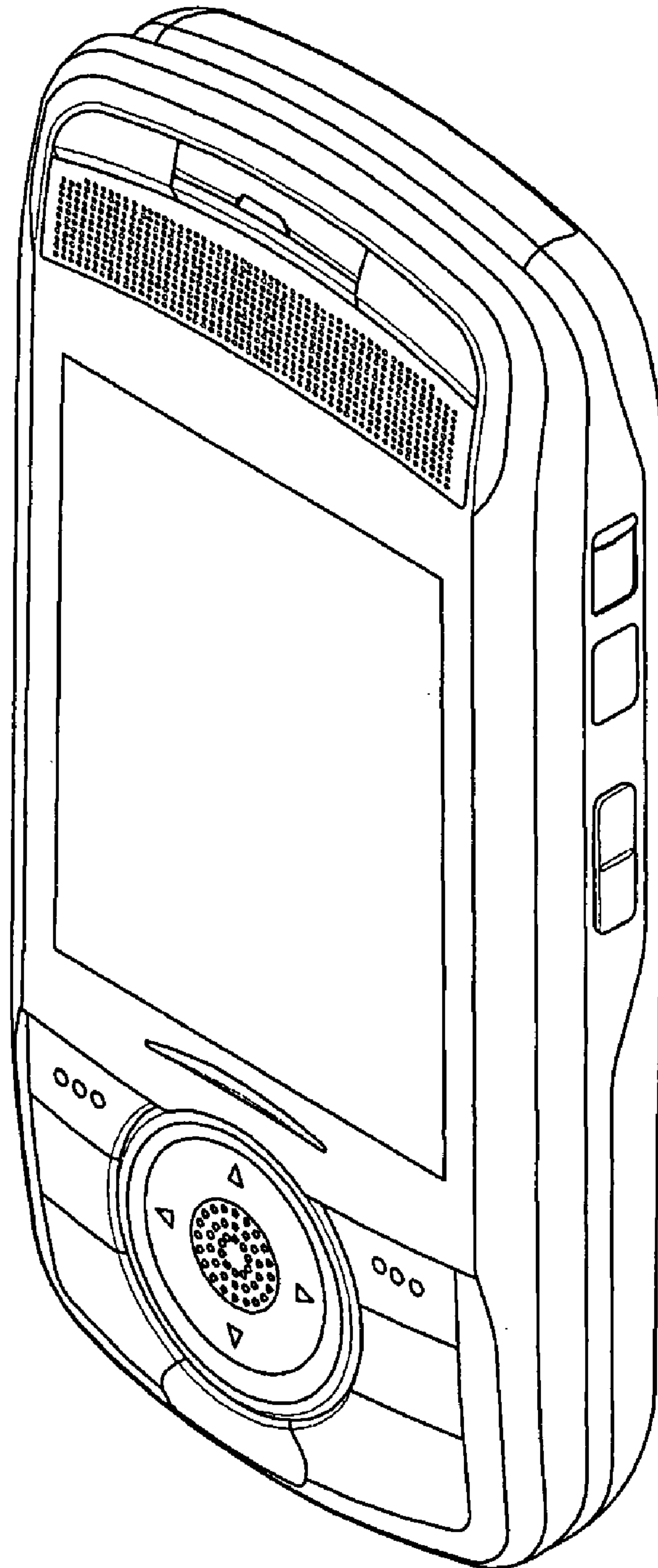


FIG. 2

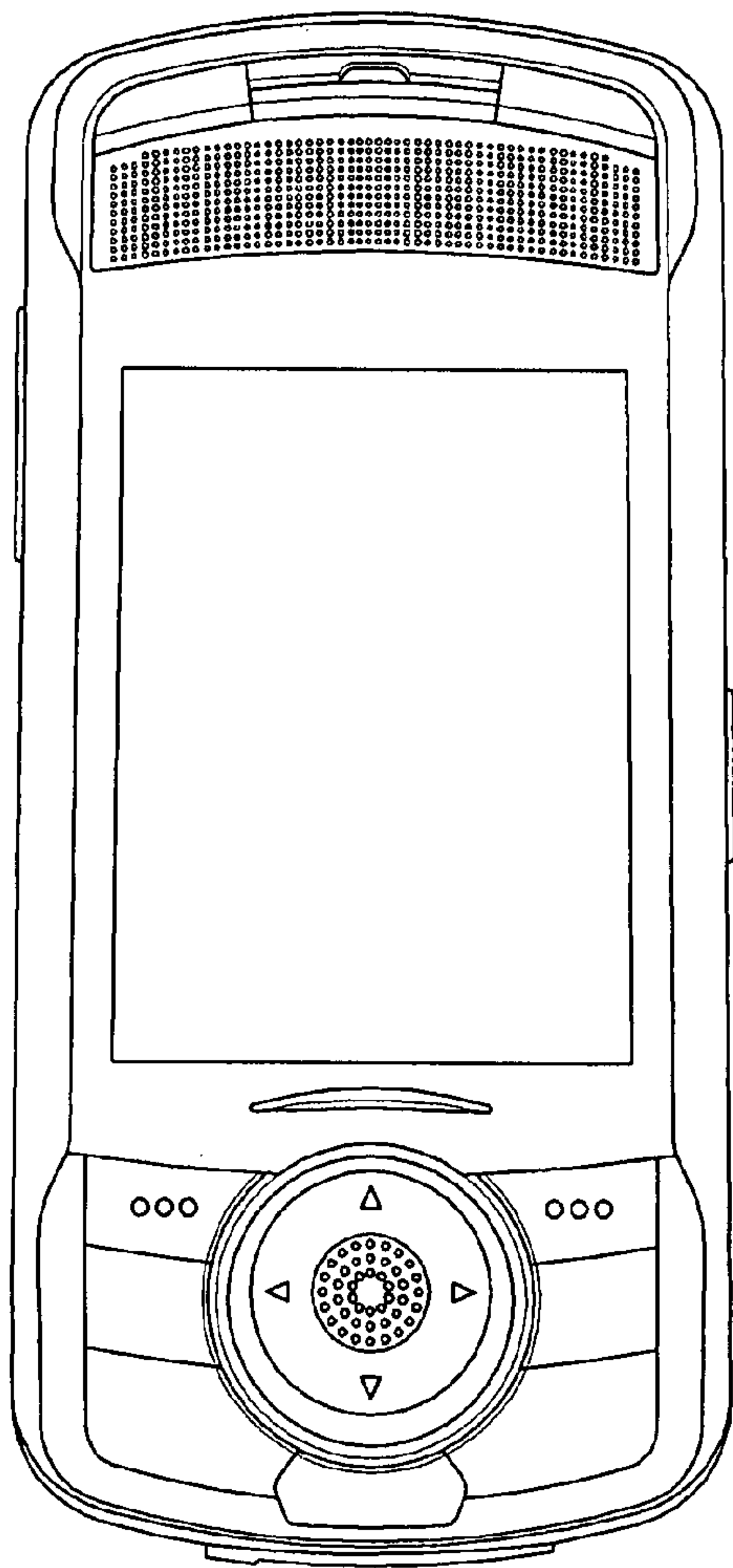


FIG. 3

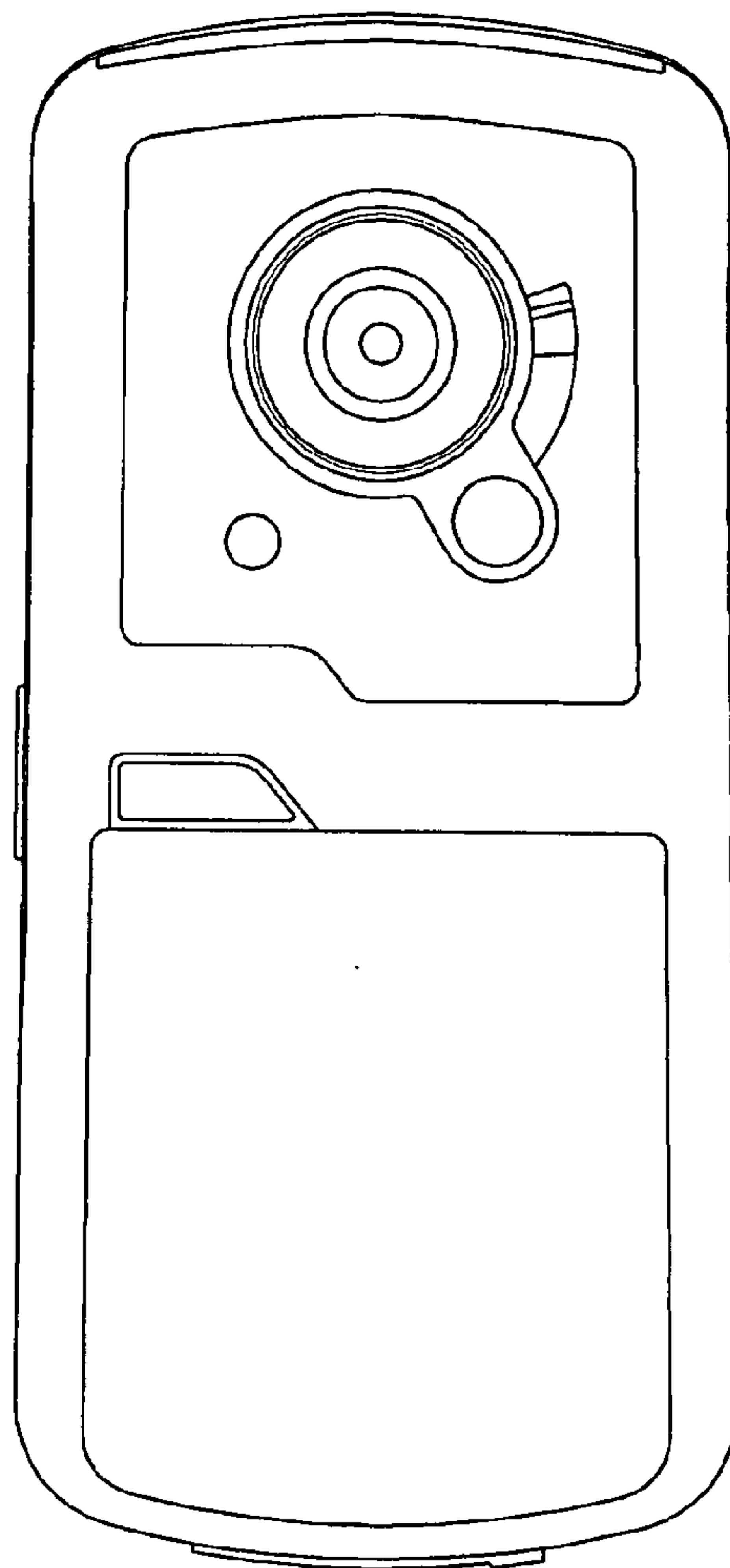


FIG. 4

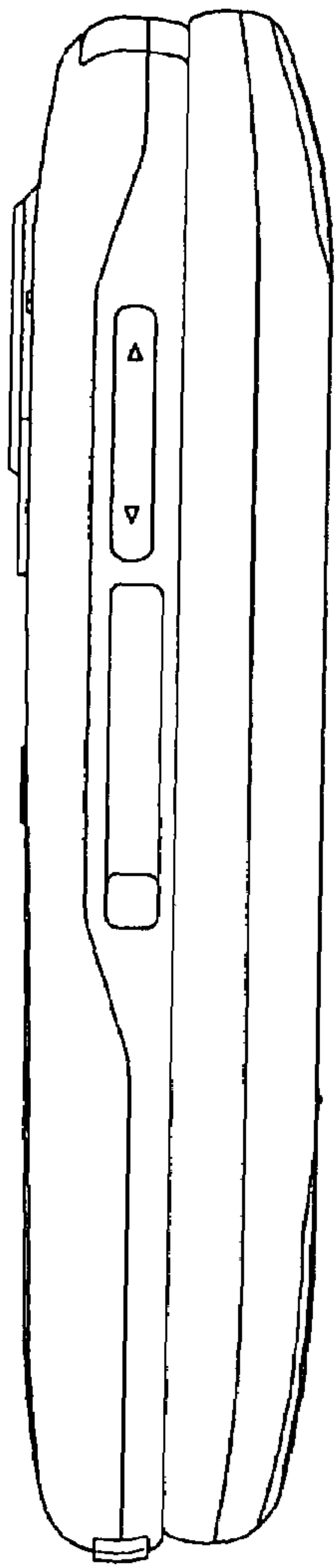


FIG. 5

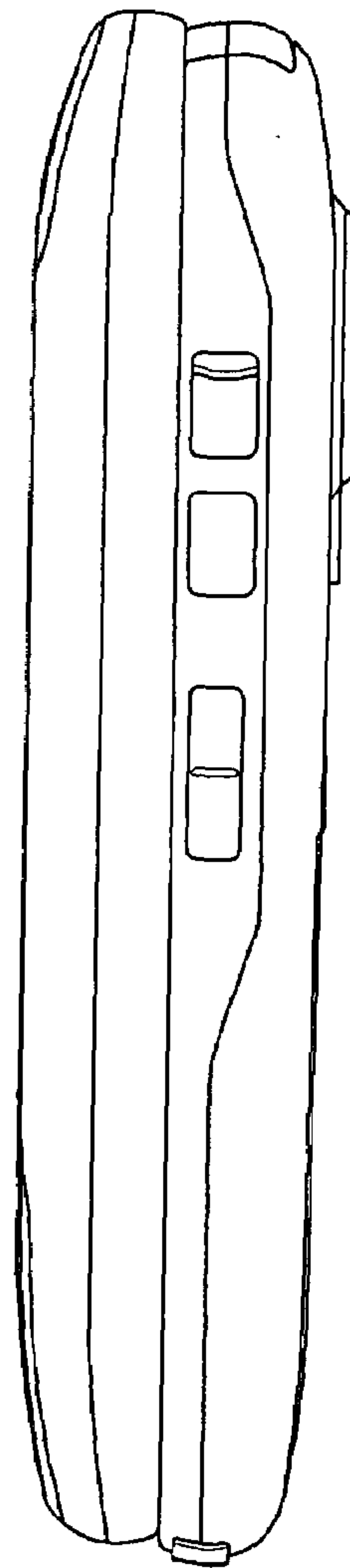


FIG. 6

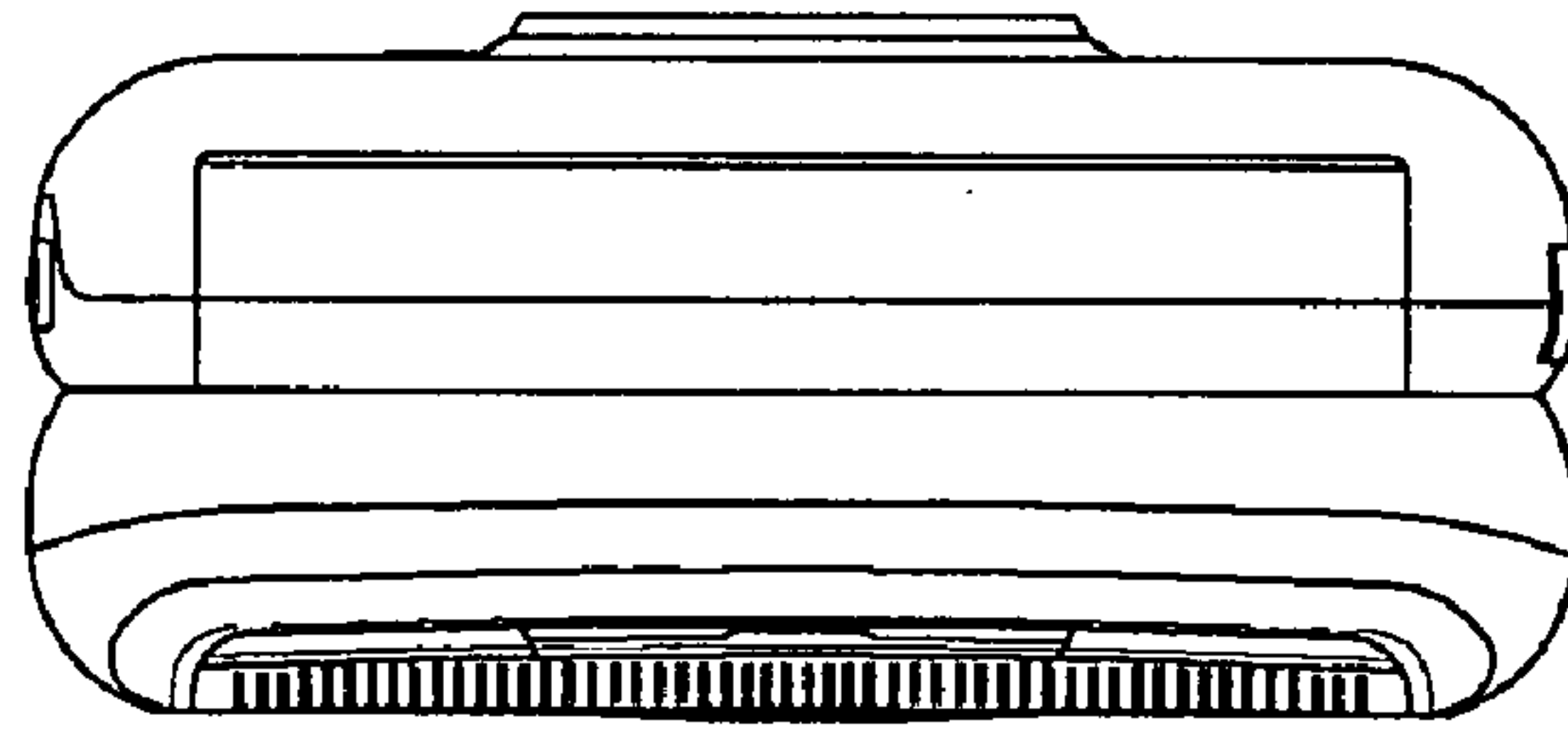


FIG. 7

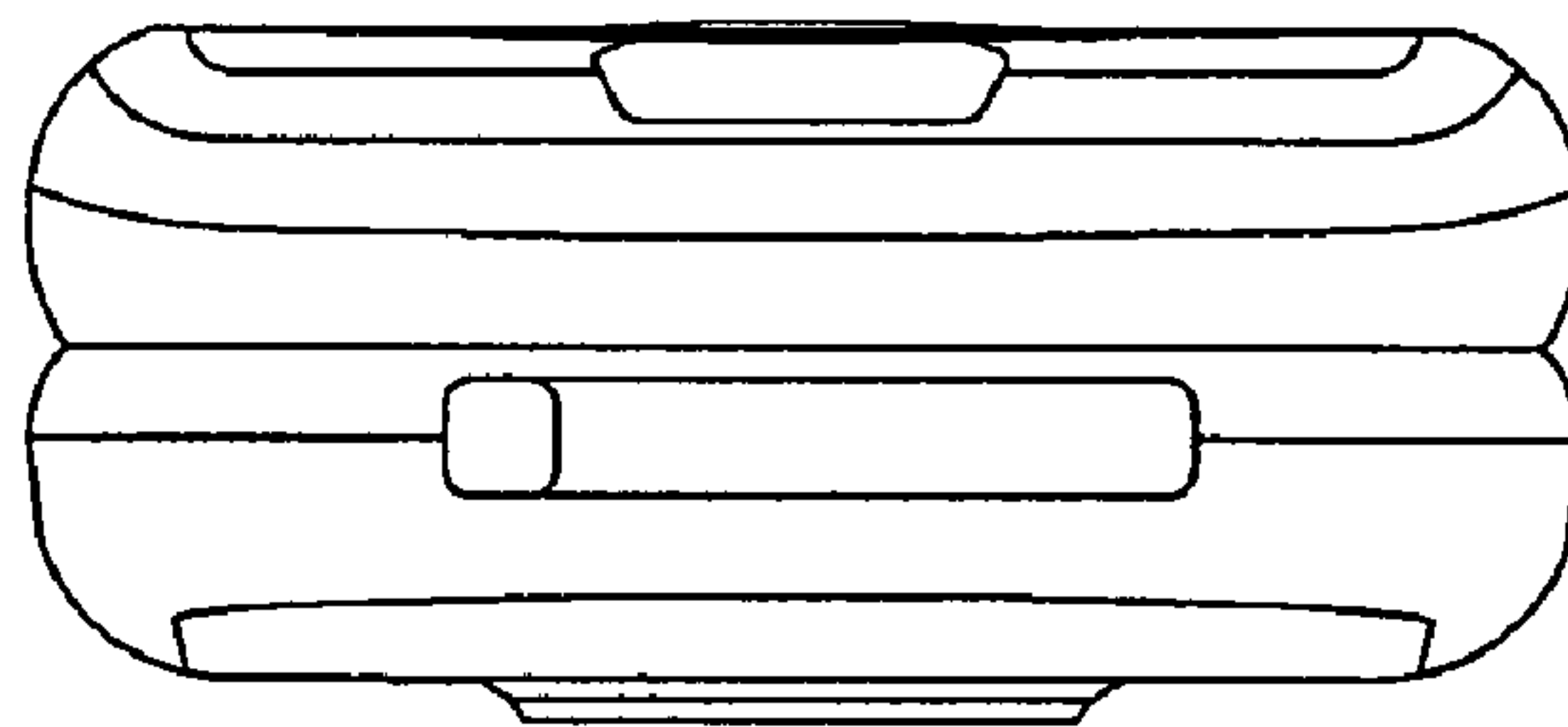


FIG. 8

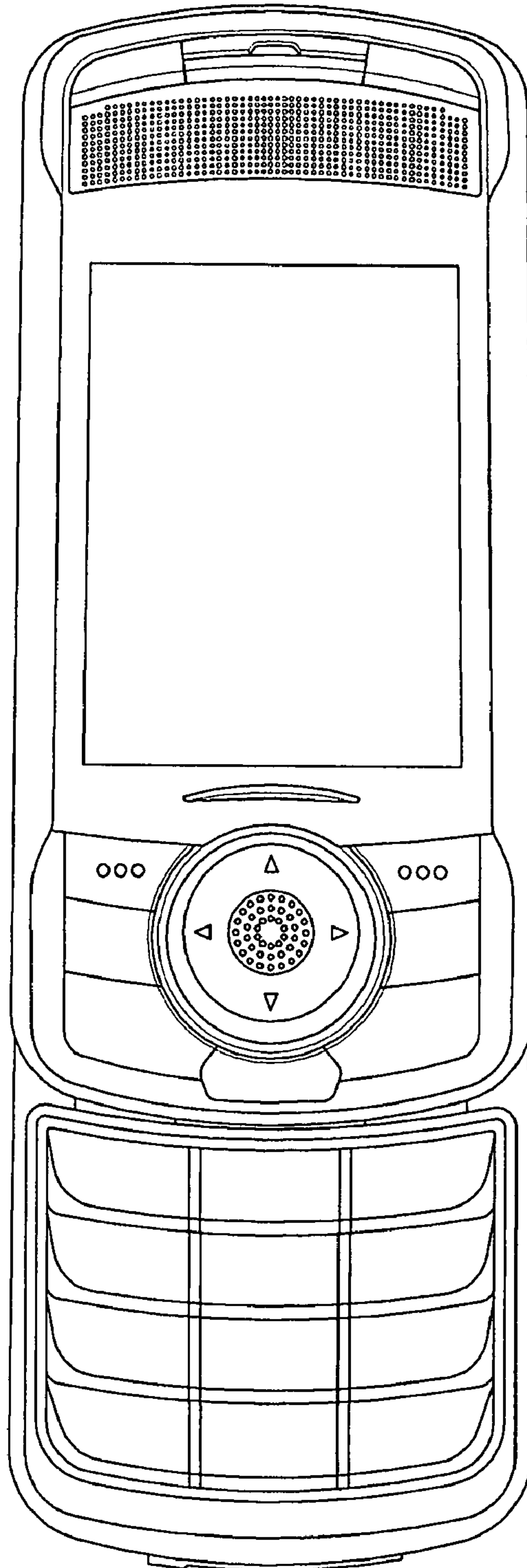


FIG. 9

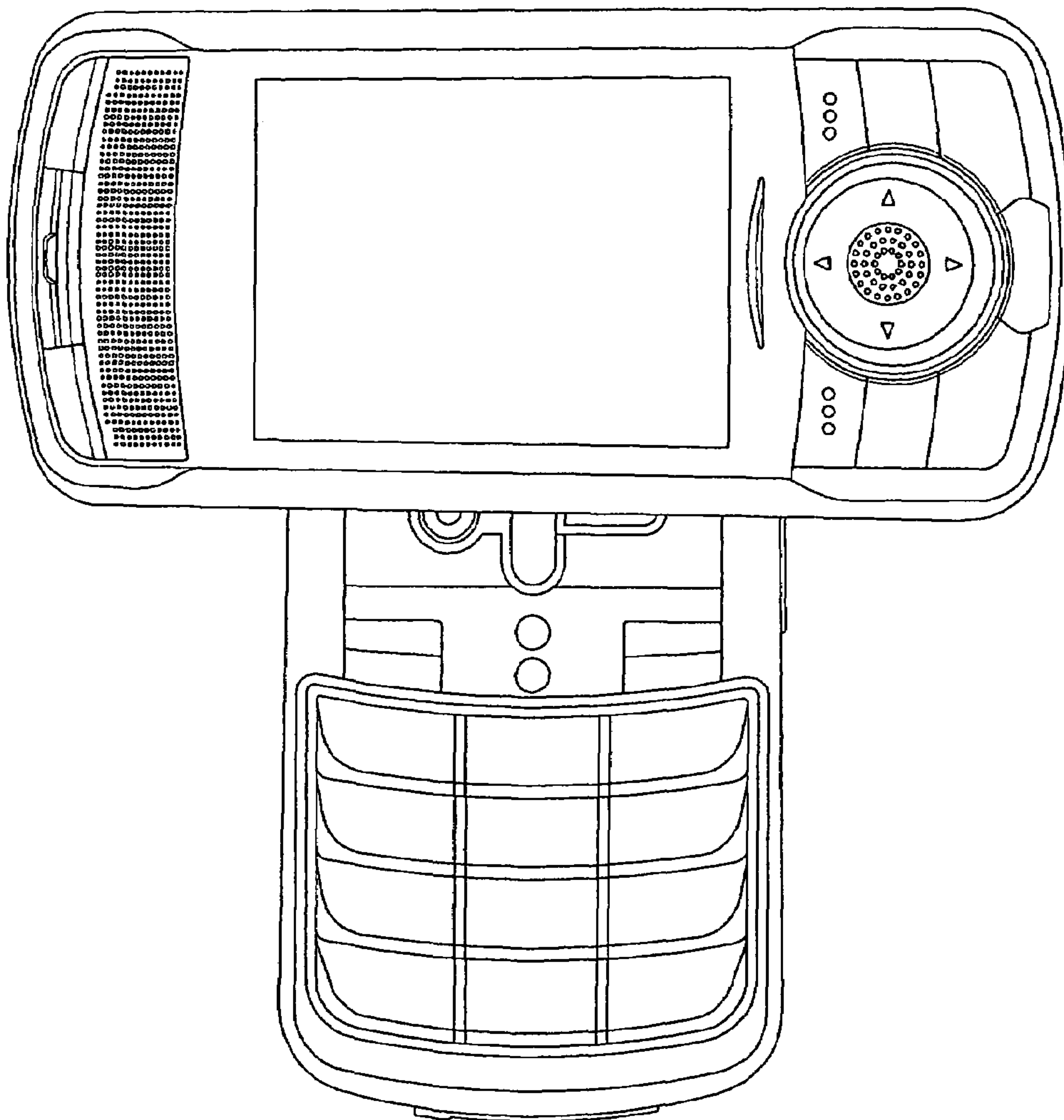


FIG. 10

