



US00D558707S

(12) **United States Design Patent**
Travis et al.

(10) **Patent No.:** **US D558,707 S**
(45) **Date of Patent:** **** Jan. 1, 2008**

(54) **HANDSET**

(75) Inventors: **Tom Travis**, West Hollywood, CA (US); **Wei-Jong William Sheu**, West Hills, CA (US)

(73) Assignee: **Nokia Corporation**, Espoo (FI)

(**) Term: **14 Years**

(21) Appl. No.: **29/241,098**

(22) Filed: **Oct. 24, 2005**

(51) **LOC (8) Cl.** **14-03**

(52) **U.S. Cl.** **D14/138**

(58) **Field of Classification Search** D14/137-138, D14/147-148, 156, 218, 247-248, 341-347, D14/496; D16/208; D21/329, 331, 333, D21/517; 348/14.01-14.02; 361/814; 379/433.01-433.13; 455/556.1-556.2, 575.1, 455/575.3, 575.4, 566, 90.3
See application file for complete search history.

(56) **References Cited**

U.S. PATENT DOCUMENTS

D339,338 S *	9/1993	Tattari et al.	D14/138
D388,784 S *	1/1998	Phillips et al.	D14/138
D459,332 S *	6/2002	Peiker	D14/147
D484,475 S *	12/2003	Sheu	D14/138
D500,992 S *	1/2005	Shen et al.	D14/138
D502,160 S *	2/2005	Chen et al.	D14/138
D515,059 S *	2/2006	Wu	D14/138
D515,528 S *	2/2006	Miyazawa et al.	D14/138

D524,274 S *	7/2006	Choi et al.	D14/138
D539,256 S *	3/2007	Kim et al.	D14/138
2004/0162118 A1 *	8/2004	Park et al.	455/575.1
2004/0185912 A1 *	9/2004	Mason et al.	455/566
2006/0111052 A1 *	5/2006	Gartell	455/90.3

FOREIGN PATENT DOCUMENTS

WO	DM/064133	*	5/2003
WO	DM/067035	*	8/2005

* cited by examiner

Primary Examiner—Charles A. Rademaker

Assistant Examiner—Carla Jobe Wright

(74) *Attorney, Agent, or Firm*—Banner & Witcoff, Ltd.

(57) **CLAIM**

The ornamental design for a handset, as shown and described.

DESCRIPTION

FIG. 1 is a bottom plan view of a handset showing our new design;

FIG. 2 is a right side view thereof;

FIG. 3 is a front view thereof;

FIG. 4 is a left side view thereof;

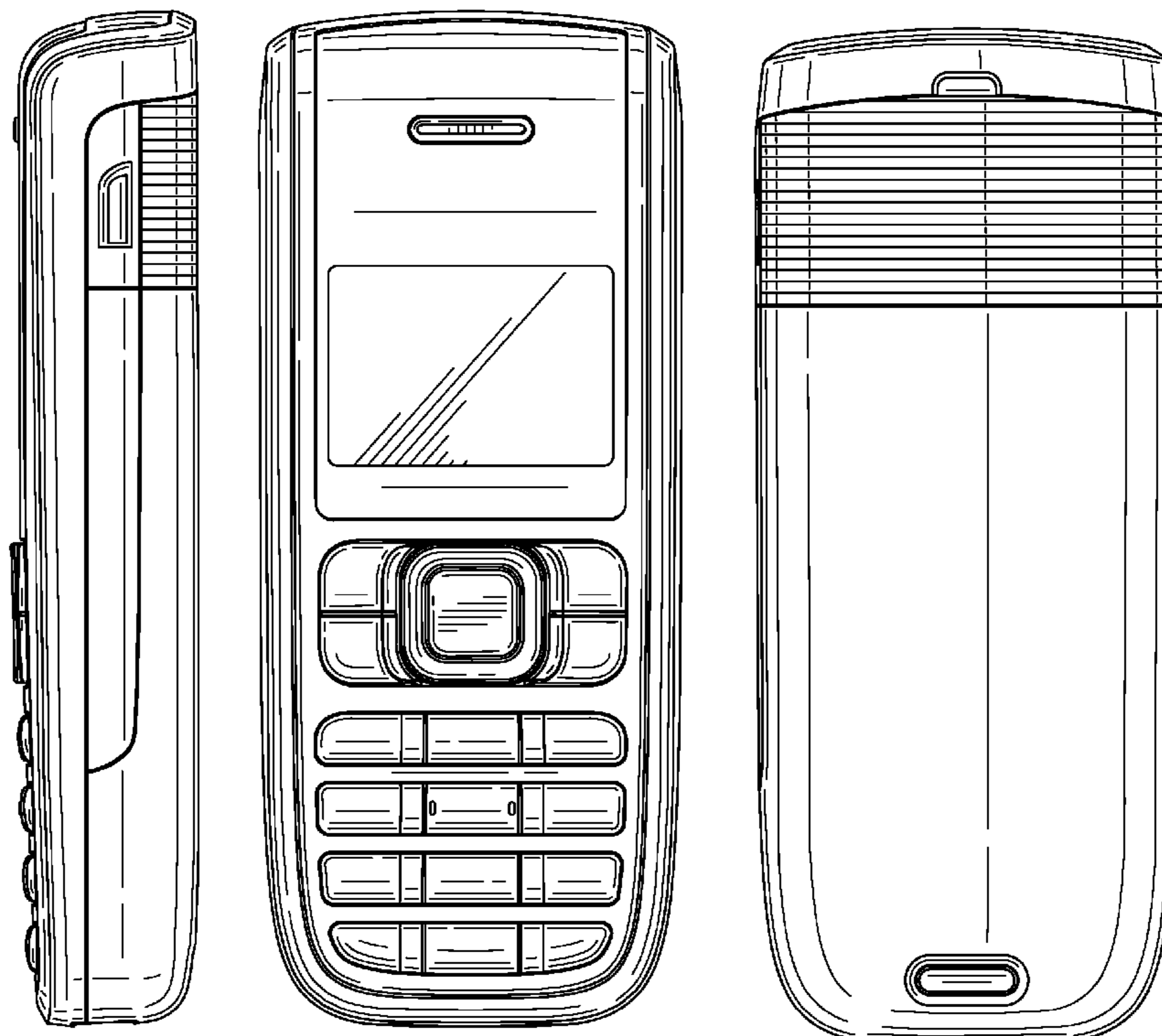
FIG. 5 is a top plan view thereof;

FIG. 6 is a rear view thereof;

FIG. 7 is a perspective front view thereof; and,

FIG. 8 is a perspective rear view thereof.

1 Claim, 3 Drawing Sheets



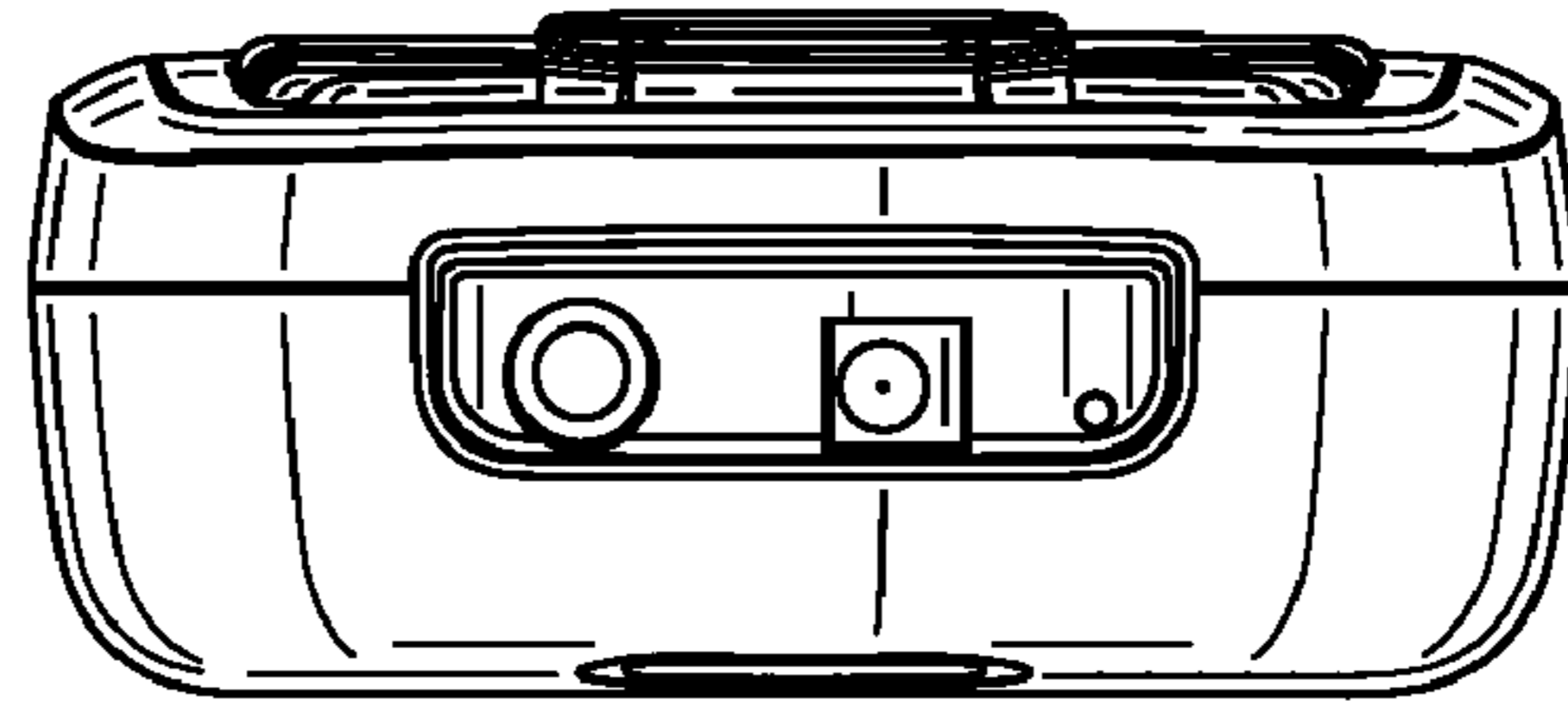


FIG. 1



FIG. 2

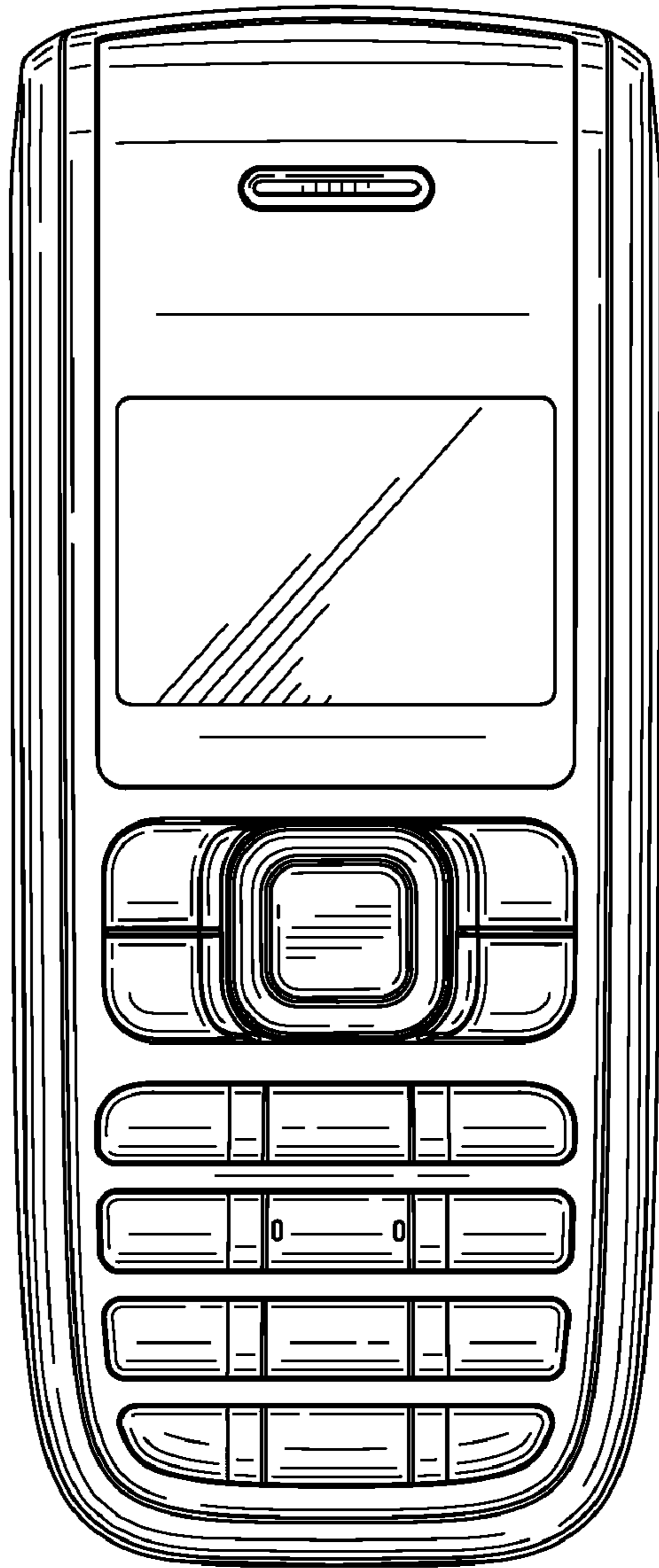


FIG. 3



FIG. 4

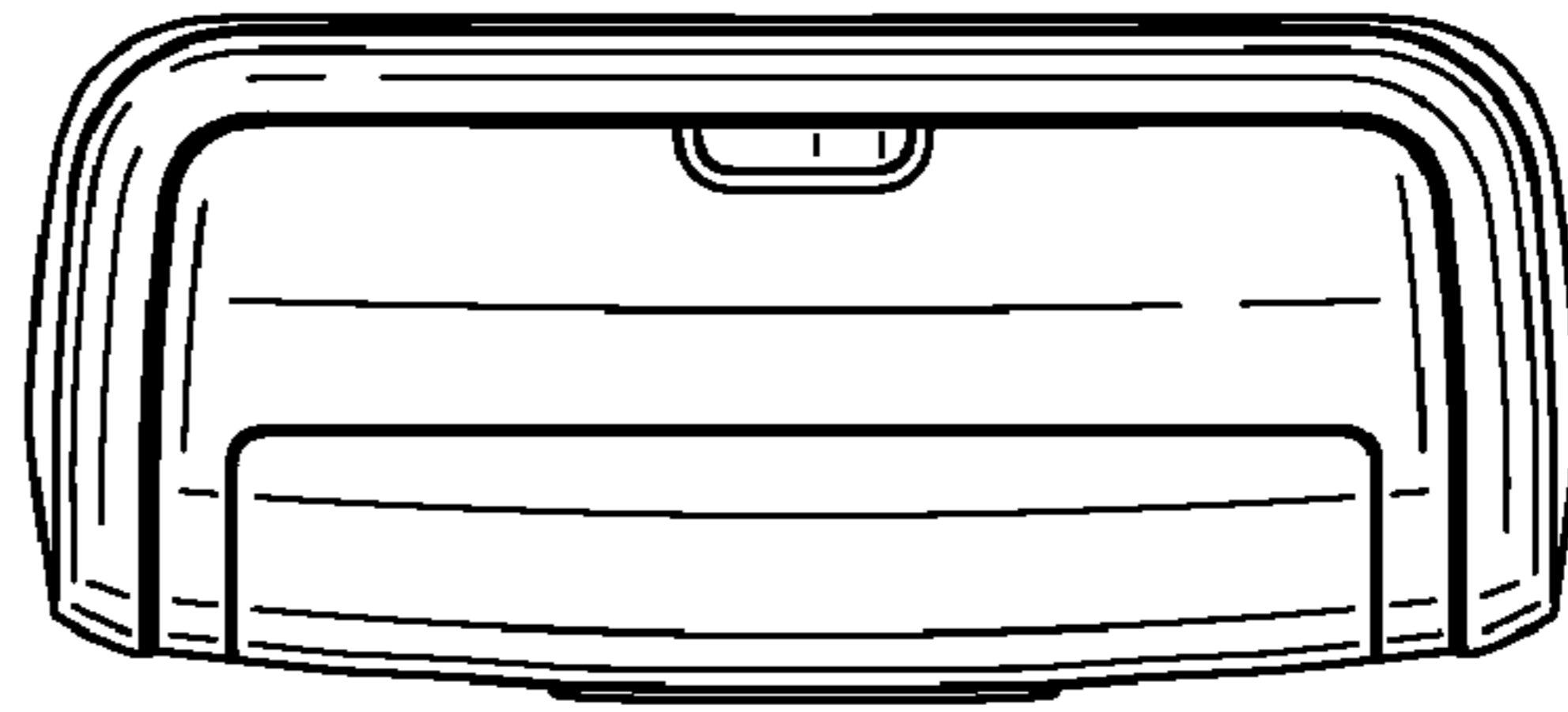


FIG. 5

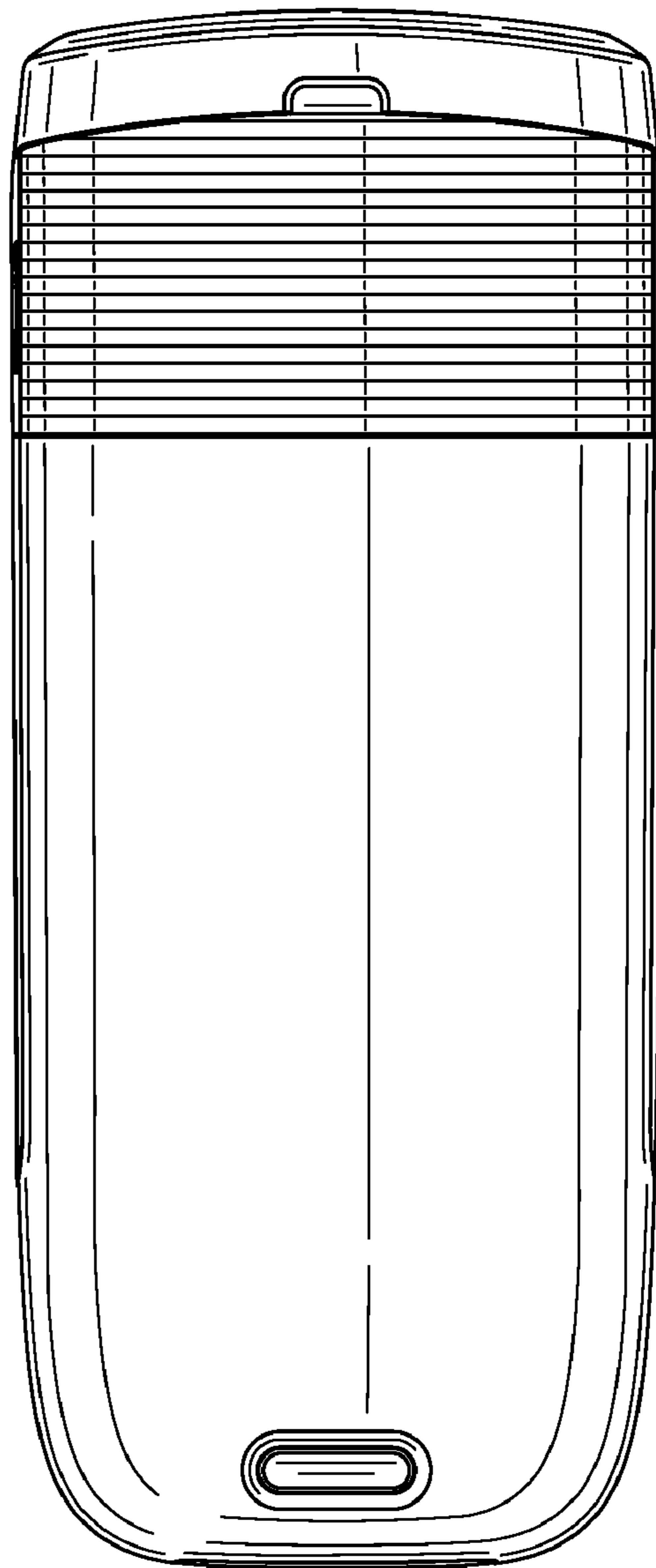


FIG. 6

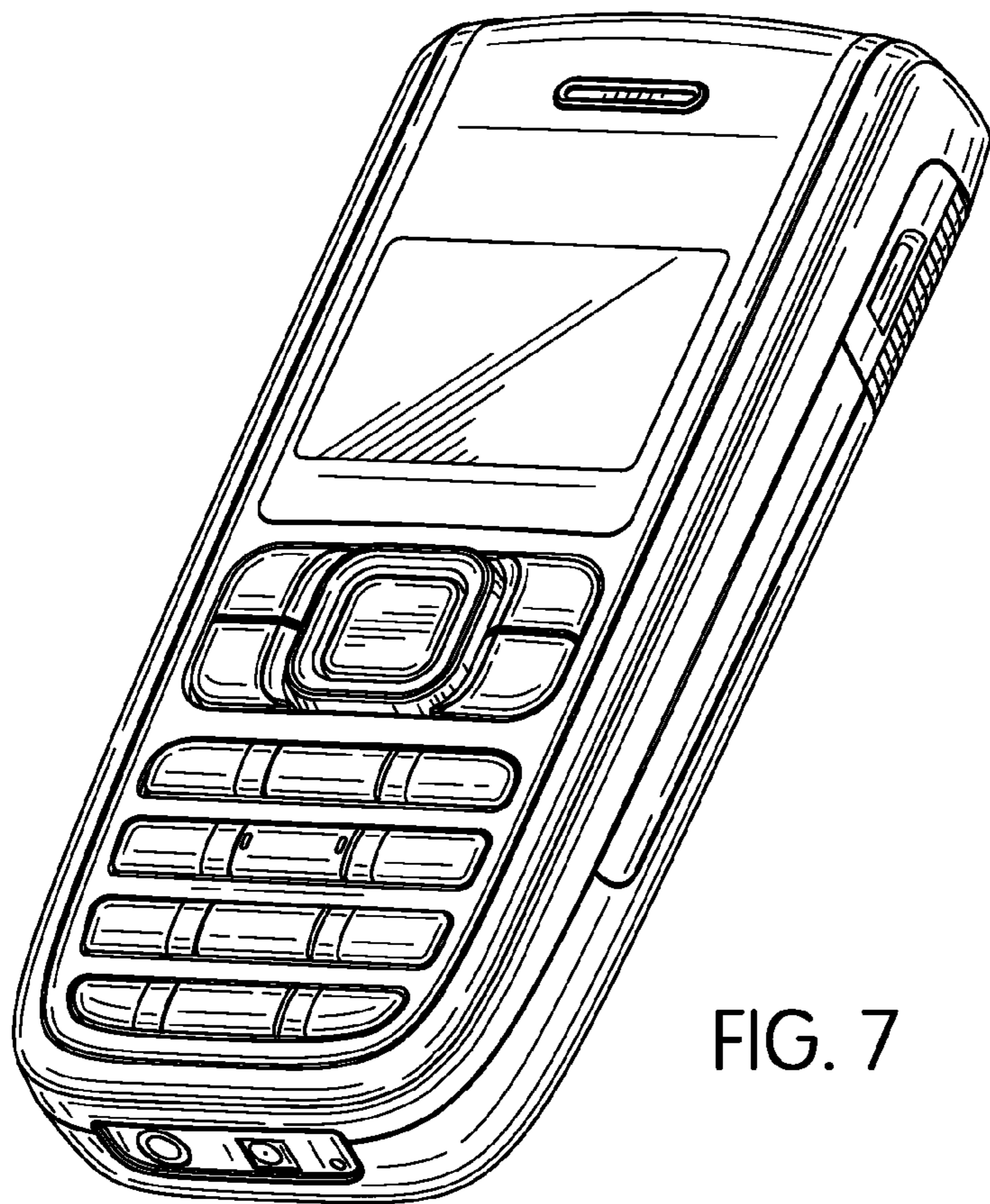


FIG. 7

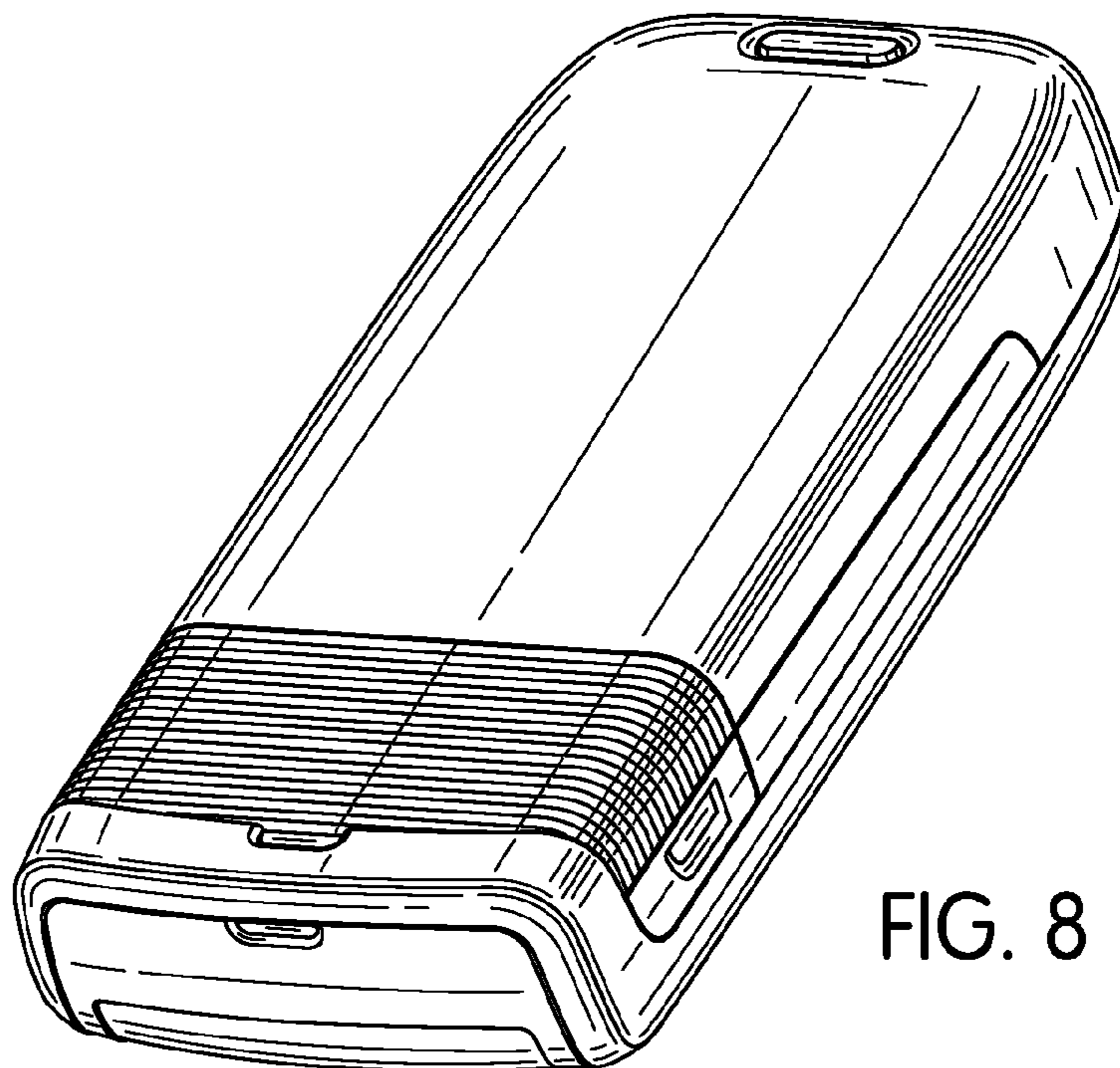


FIG. 8