



US00D558702S

(12) **United States Design Patent**
Weaver et al.

(10) **Patent No.:** **US D558,702 S**
(45) **Date of Patent:** **** Jan. 1, 2008**

- (54) **MOBILE VIDEO CABINET**
- (75) Inventors: **Keith A. Weaver**, El Mirage, AZ (US);
Richard A. Gulsvig, Chandler, AZ (US)
- (73) Assignee: **Multimedia Telesys, Inc.**, Tempe, AZ (US)
- (**) Term: **14 Years**
- (21) Appl. No.: **29/252,071**
- (22) Filed: **Jan. 17, 2006**
- (51) **LOC (8) Cl.** **14-03**
- (52) **U.S. Cl.** **D14/130**
- (58) **Field of Classification Search** D14/126,
D14/128, 129, 130, 133, 140, 142, 144, 145,
D14/240; 312/7.2; 361/679, 680, 683; 379/428.01,
379/428.04, 433, 434, 435, 436; 348/13-17
See application file for complete search history.

- D380,739 S 7/1997 Senturia et al.
- D384,832 S 10/1997 Senturia et al.
- 5,702,166 A 12/1997 Lee
- D391,565 S 3/1998 Nanjo
- D395,129 S 6/1998 Johnson
- 5,774,663 A 6/1998 Randle et al.
- D402,782 S 12/1998 Johnson
- D404,025 S 1/1999 Van Horne et al.
- D411,194 S 6/1999 Wilson
- D414,485 S 9/1999 Hazan
- D424,049 S 5/2000 Ho et al.
- D430,867 S * 9/2000 Smith et al. D14/308
- D434,412 S 11/2000 Creech et al.
- D436,630 S 1/2001 Gonsiorowski et al.
- D438,182 S 2/2001 Wilson
- 6,205,716 B1 3/2001 Peltz
- D440,544 S * 4/2001 Fischer D14/129

(Continued)

Primary Examiner—Philip S. Hyder
(74) *Attorney, Agent, or Firm*—Schmeiser, Olsen & Watts LLP

(56) **References Cited**

U.S. PATENT DOCUMENTS

- 2,413,922 A 1/1947 Jensen et al.
- 2,438,256 A 3/1948 Stein
- D225,502 S 12/1972 Miller
- 4,113,331 A 9/1978 Derdzinski et al.
- D268,583 S 4/1983 Whaley et al.
- 4,861,121 A 8/1989 Gotz
- D307,081 S 4/1990 Allen
- 4,941,656 A 7/1990 Davies et al.
- D310,075 S * 8/1990 Mannion et al. D16/202
- D323,656 S 2/1992 McGarvey et al.
- D328,742 S * 8/1992 Kennedy D14/133
- D331,055 S 11/1992 Massey et al.
- D342,517 S 12/1993 Bosson
- D351,160 S 10/1994 Massey et al.
- 5,393,964 A 2/1995 Hamilton et al.
- 5,515,424 A 5/1996 Kenney
- D373,266 S * 9/1996 Pellenberg et al. D6/470
- D373,641 S 9/1996 Lee
- 5,572,005 A 11/1996 Hamilton et al.

(57) **CLAIM**

The ornamental design for the mobile video cabinet, as shown.

DESCRIPTION

FIG. 1 is a front perspective view of the mobile video cabinet;

FIG. 2 is a front view of the mobile video cabinet;

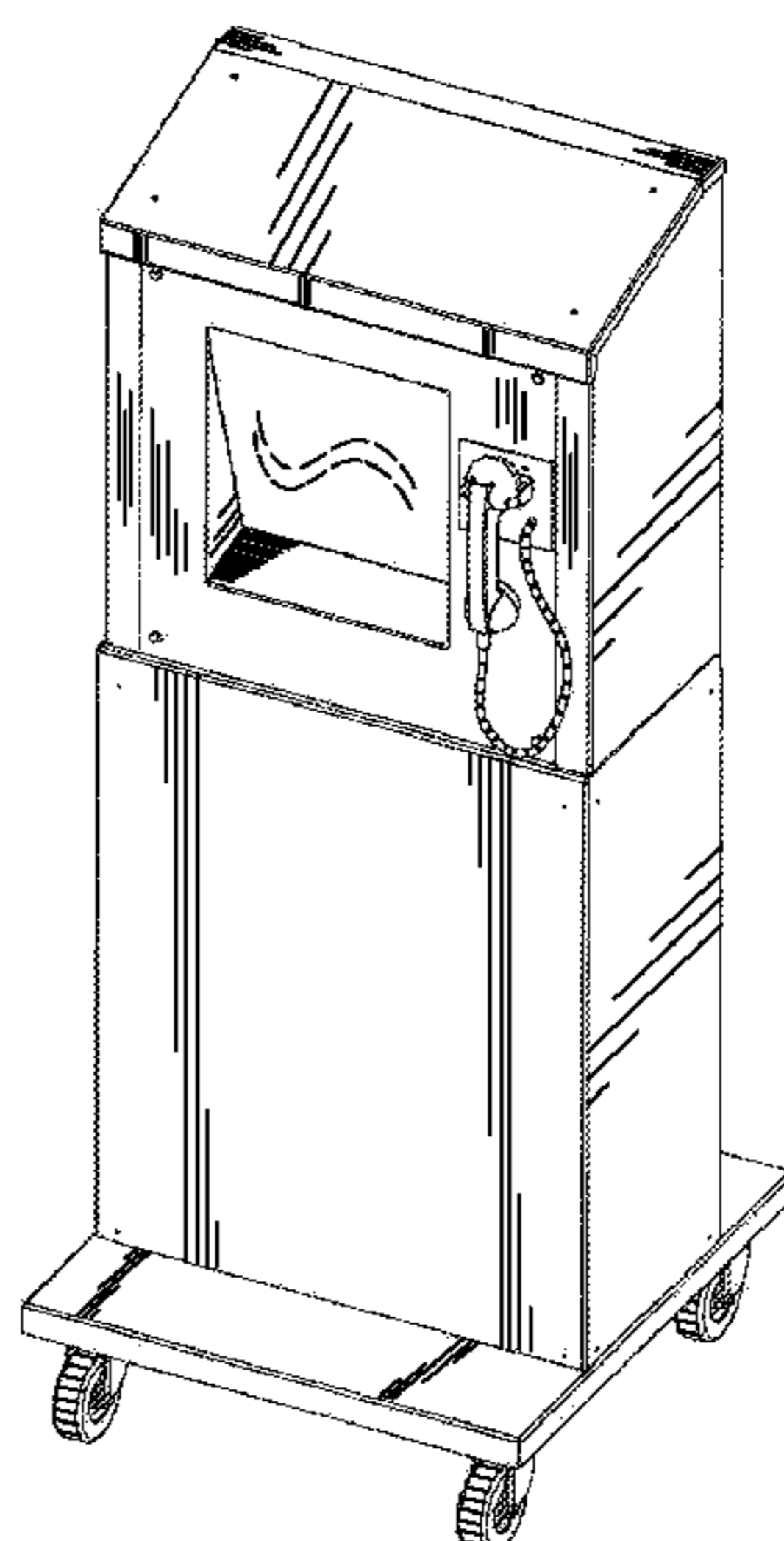
FIG. 3 is a back perspective view of the mobile video cabinet;

FIG. 4 is a side view of the right side of the mobile video cabinet, a view from the left side would be a mirror image of the right side view; and,

FIG. 5 is a back view of the mobile video cabinet.

The broken line structure in FIGS. 1 and 2 is for illustrative purposes only and forms no part of the claimed design.

1 Claim, 5 Drawing Sheets



US D558,702 S

Page 2

U.S. PATENT DOCUMENTS

D440,545 S	4/2001	Pham et al.		
D442,155 S	5/2001	Pham et al.		
D467,561 S *	12/2002	Kosciolek	D14/451	
D485,811 S	1/2004	Hesse		
6,688,518 B1	2/2004	Valencia et al.		
6,704,039 B2	3/2004	Pena		
D492,272 S	6/2004	Hesse et al.		
6,755,491 B2	6/2004	McElheney		
				D493,432 S 7/2004 Hesse et al.
				D506,983 S 7/2005 Hesse et al.
				D507,786 S 7/2005 Hesse et al.
				6,914,772 B2 7/2005 Hesse et al.
				D514,844 S * 2/2006 Cravens et al. D14/129
				D520,972 S 5/2006 Hesse et al.
				2002/0124271 A1 9/2002 Herrmann et al.

* cited by examiner

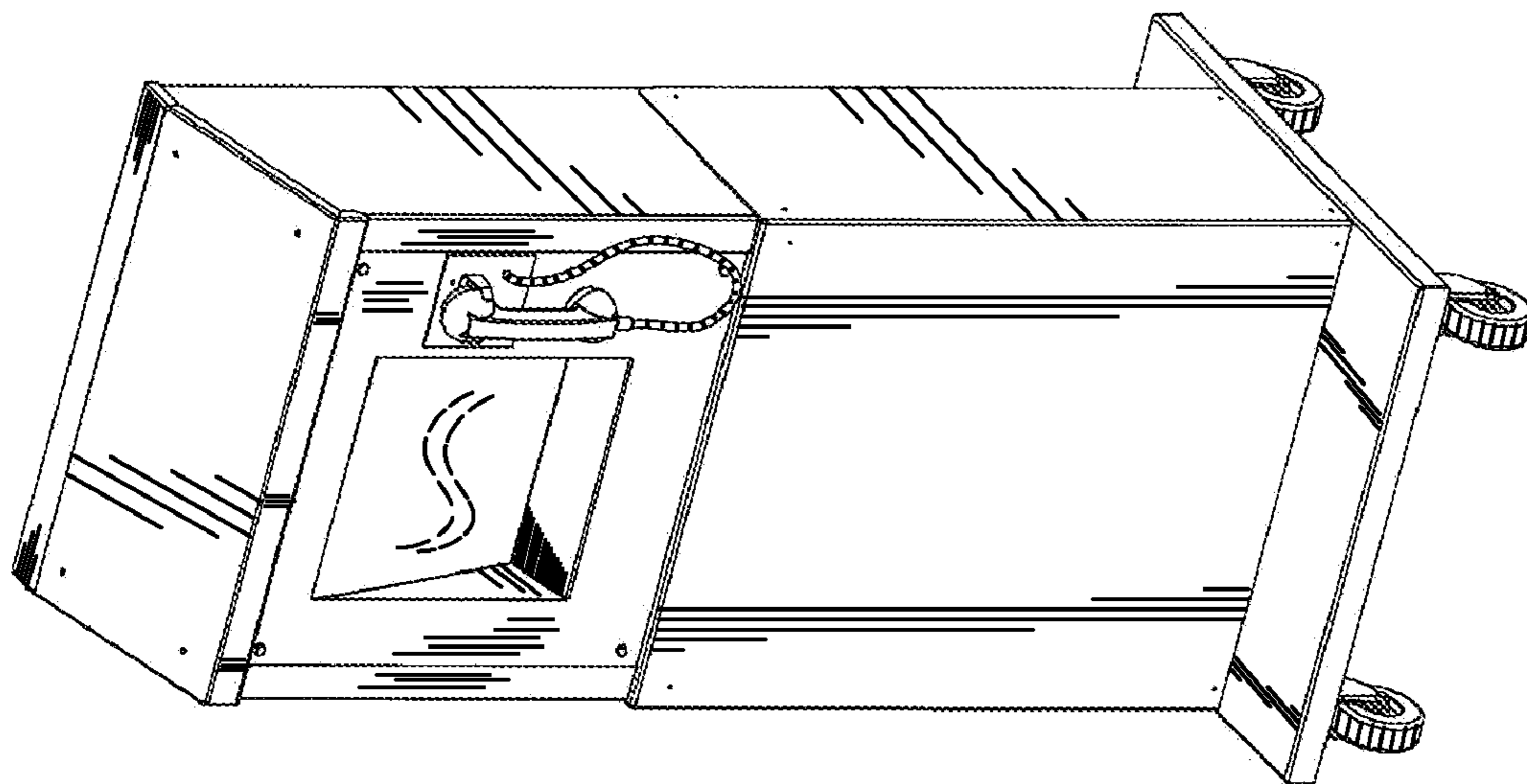


FIG. 1

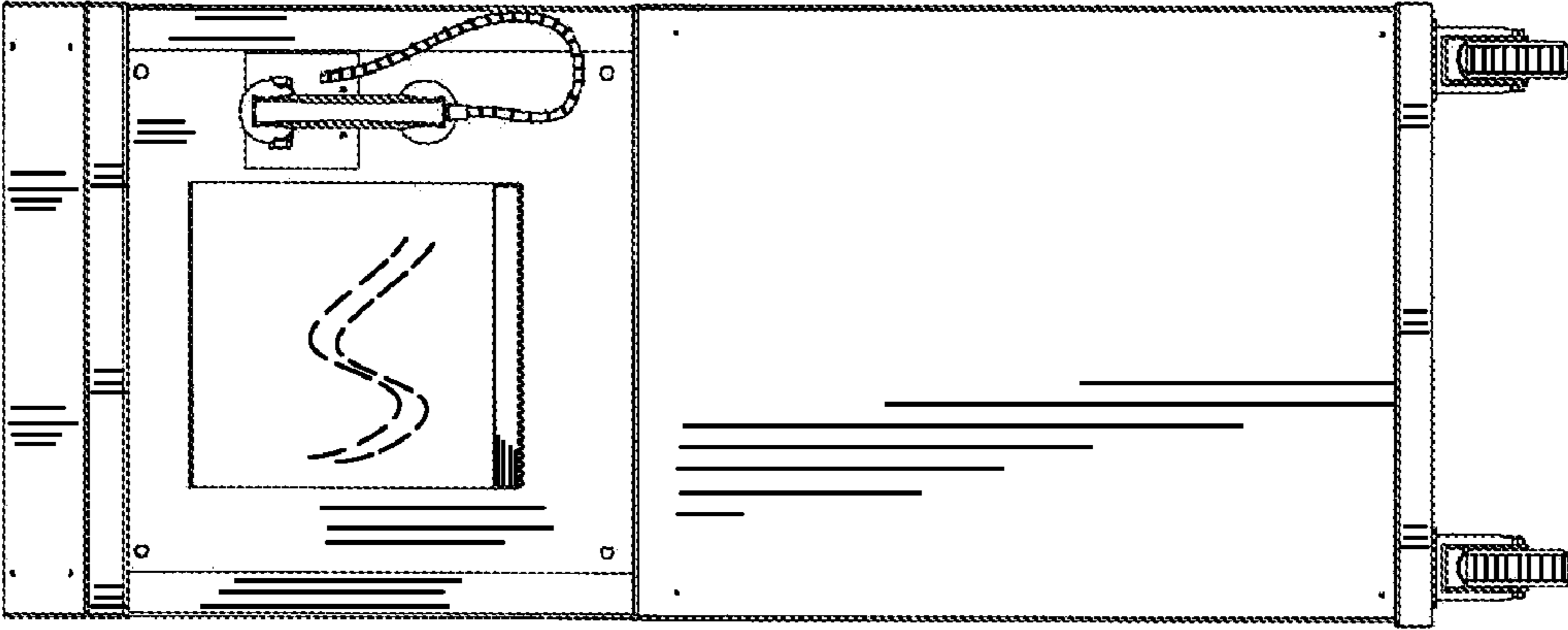


FIG. 2

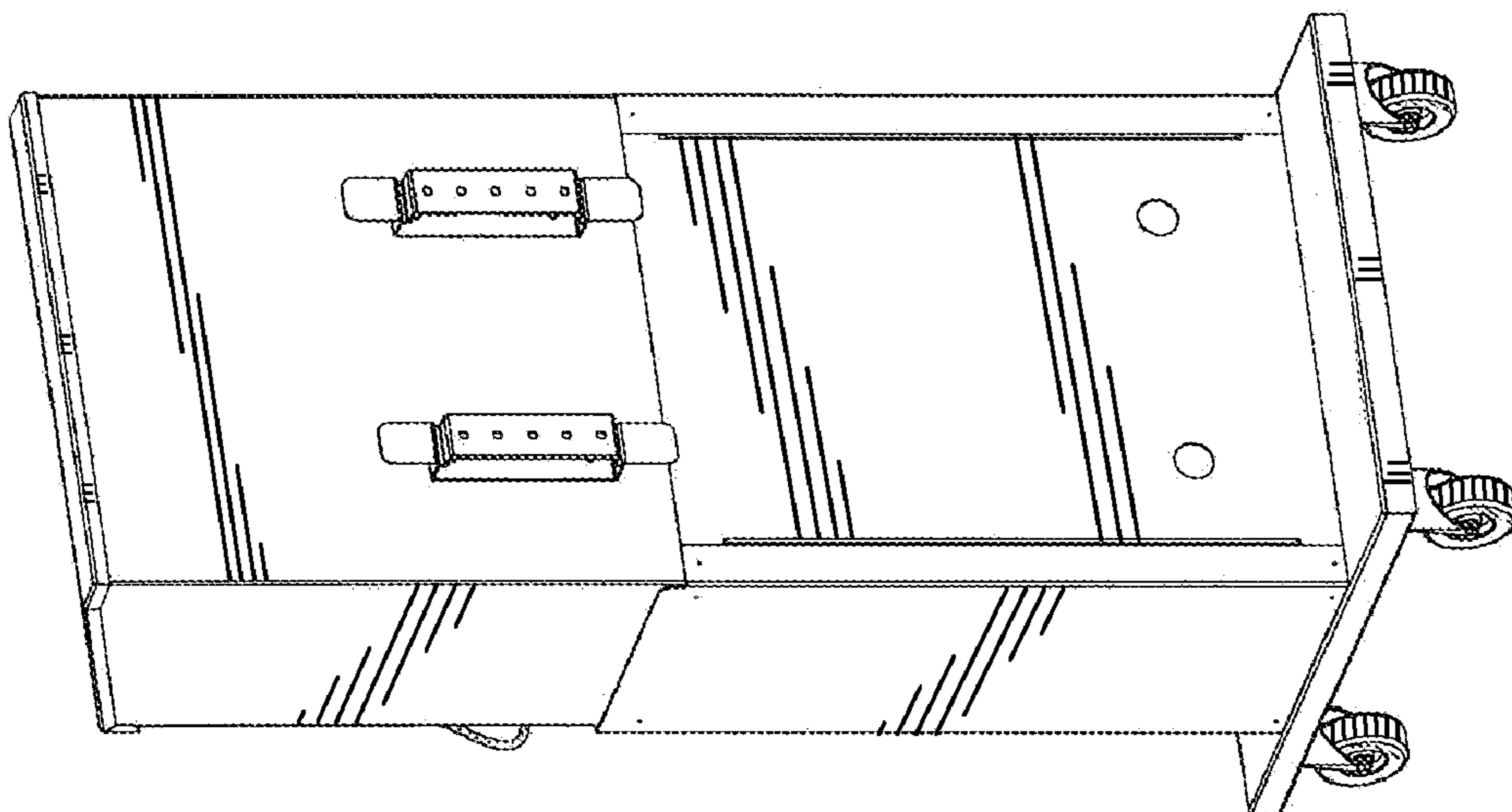


FIG. 3

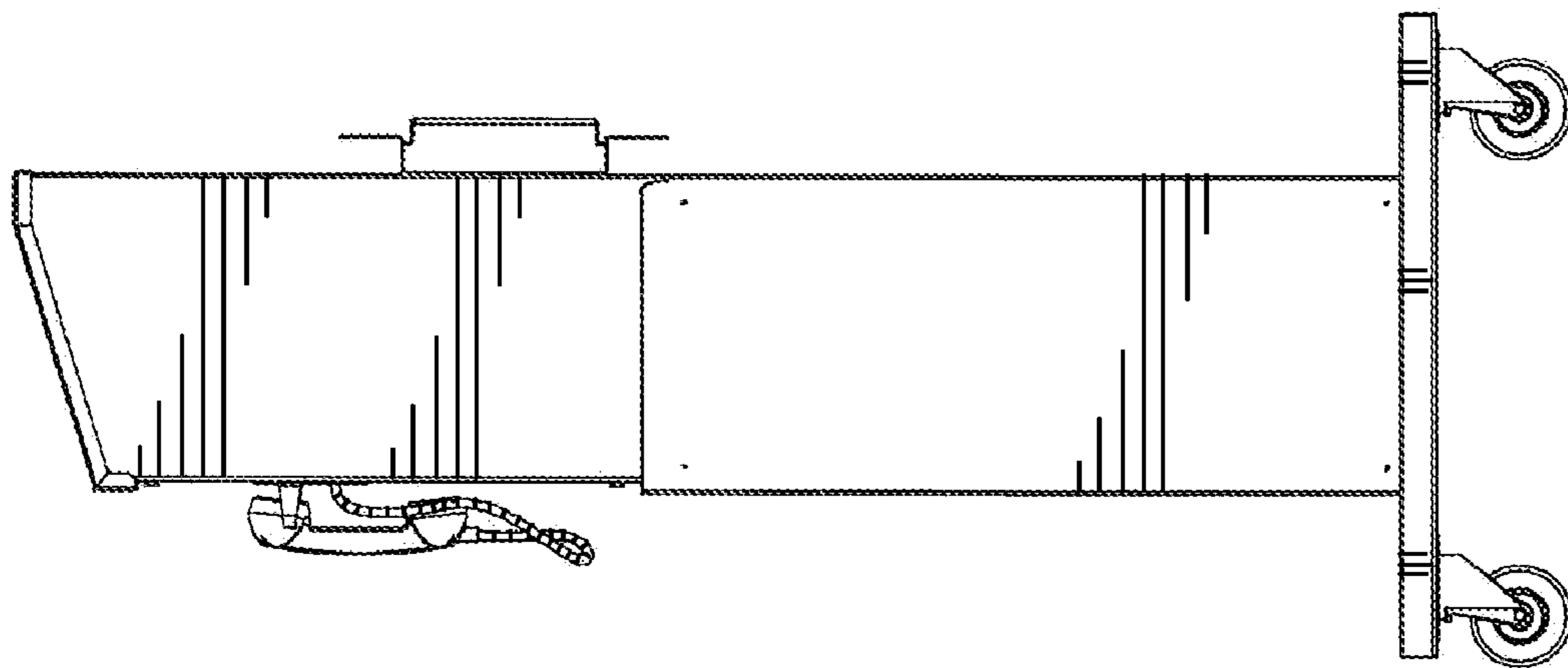


FIG. 4

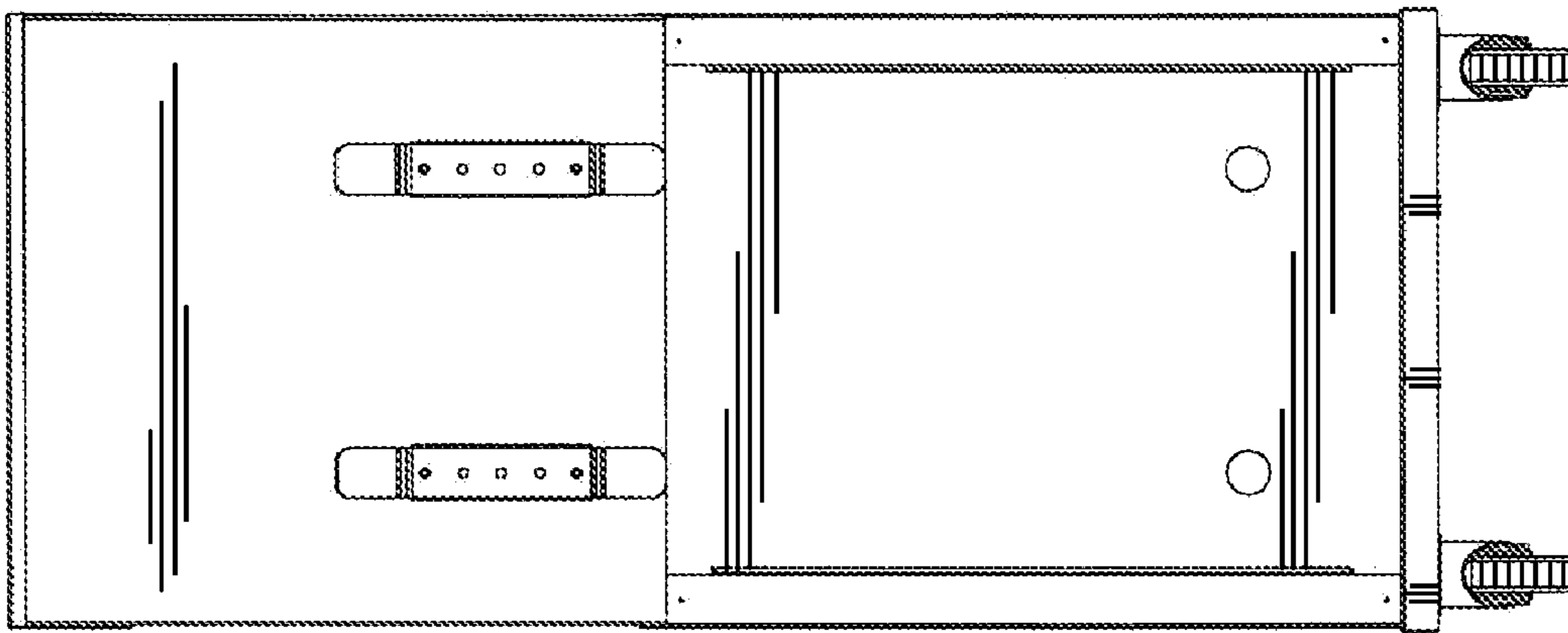


FIG. 5