



US00D558700S

(12) **United States Design Patent**  
**Onoda et al.**

(10) **Patent No.:** **US D558,700 S**  
(45) **Date of Patent:** **\*\* Jan. 1, 2008**

(54) **PROJECTION TELEVISION SET**

D545,787 S \* 7/2007 Nakamura ..... D14/128

(75) Inventors: **Hiroshi Onoda**, Tokyo (JP); **Tatsuya Honda**, Yokohama (JP)

FOREIGN PATENT DOCUMENTS

JP	D1252221	10/2005
JP	D1252222	10/2005
KR	30-0410773	4/2006
KR	30-0413984-1	5/2006

(73) Assignee: **Kabushiki Kaisha Toshiba** (JP)

(\*\*) Term: **14 Years**

\* cited by examiner

(21) Appl. No.: **29/275,076**

*Primary Examiner*—Raphael Barkai

(22) Filed: **Dec. 12, 2006**

(74) *Attorney, Agent, or Firm*—Banner & Witcoff, Ltd.

(51) **LOC (8) Cl.** ..... **14-03**

(57) **CLAIM**

(52) **U.S. Cl.** ..... **D14/128**

The ornamental design for a projection television set, as shown and described.

(58) **Field of Classification Search** ..... D14/125–134, D14/239, 371, 136, 374–377; 312/7.2; 348/836, 348/838, 180, 184, 325, 739; 341/12; 248/917–924, 248/465; 345/104, 133, 156, 168, 87, 173; 720/605, 669, 600, 655; 369/99, 197; 455/344–347  
See application file for complete search history.

**DESCRIPTION**

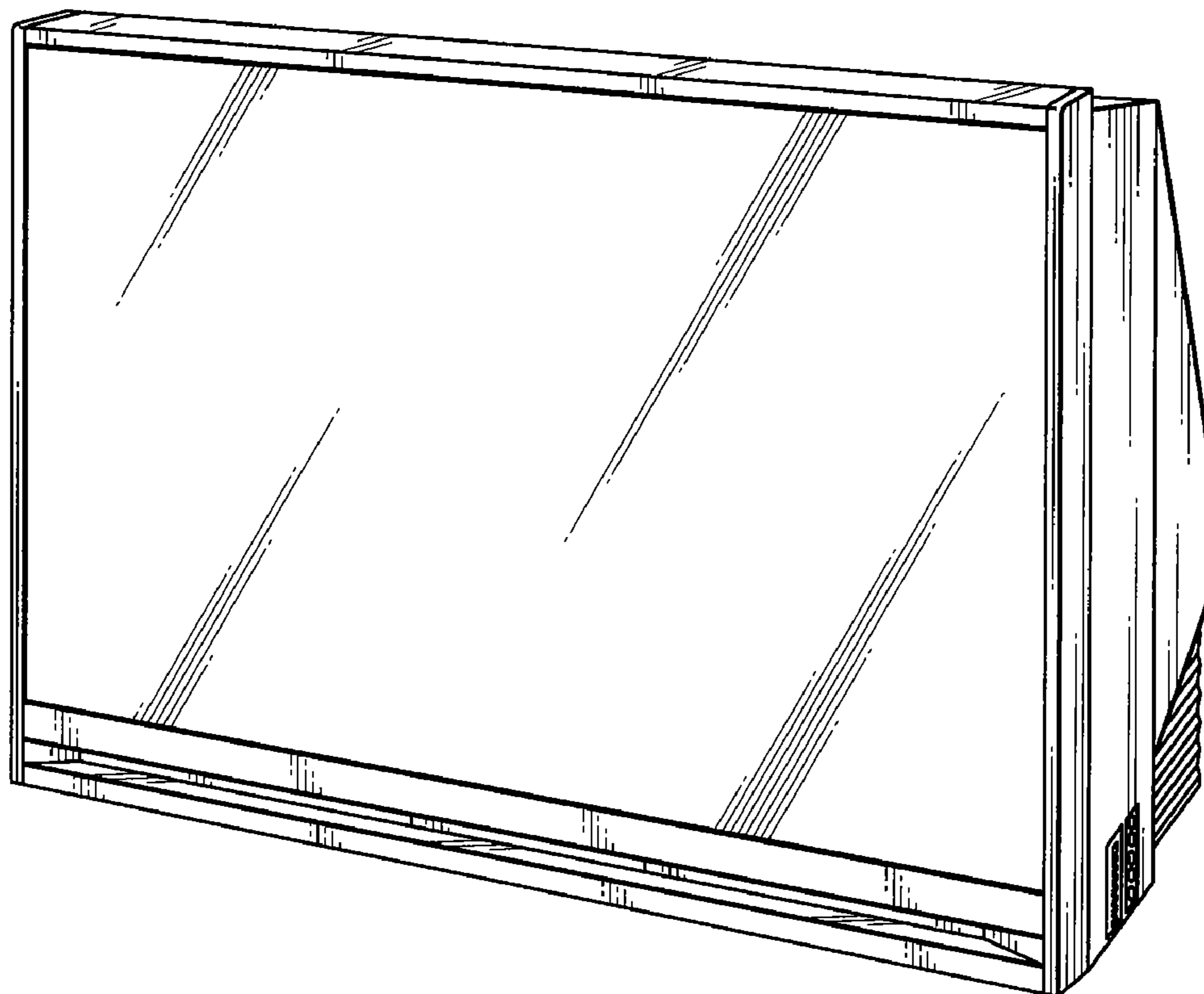
FIG. 1 is a front, top and right side perspective view of a projection television set, showing our new design;  
FIG. 2 is a front elevational view thereof;  
FIG. 3 is a rear elevational view thereof;  
FIG. 4 is a top plan view thereof;  
FIG. 5 is a bottom plan view thereof;  
FIG. 6 is a left side elevational view thereof; and,  
FIG. 7 is a right side elevational view thereof.

(56) **References Cited**

U.S. PATENT DOCUMENTS

D476,633 S *	7/2003	Oe et al.	.....	D14/133
D476,966 S *	7/2003	Onoda et al.	.....	D14/128
D476,967 S	7/2003	Onoda et al.		
D484,106 S	12/2003	Onoda		
D534,141 S	12/2006	Onoda et al.		
D541,242 S *	4/2007	Park et al.	.....	D14/128

**1 Claim, 4 Drawing Sheets**



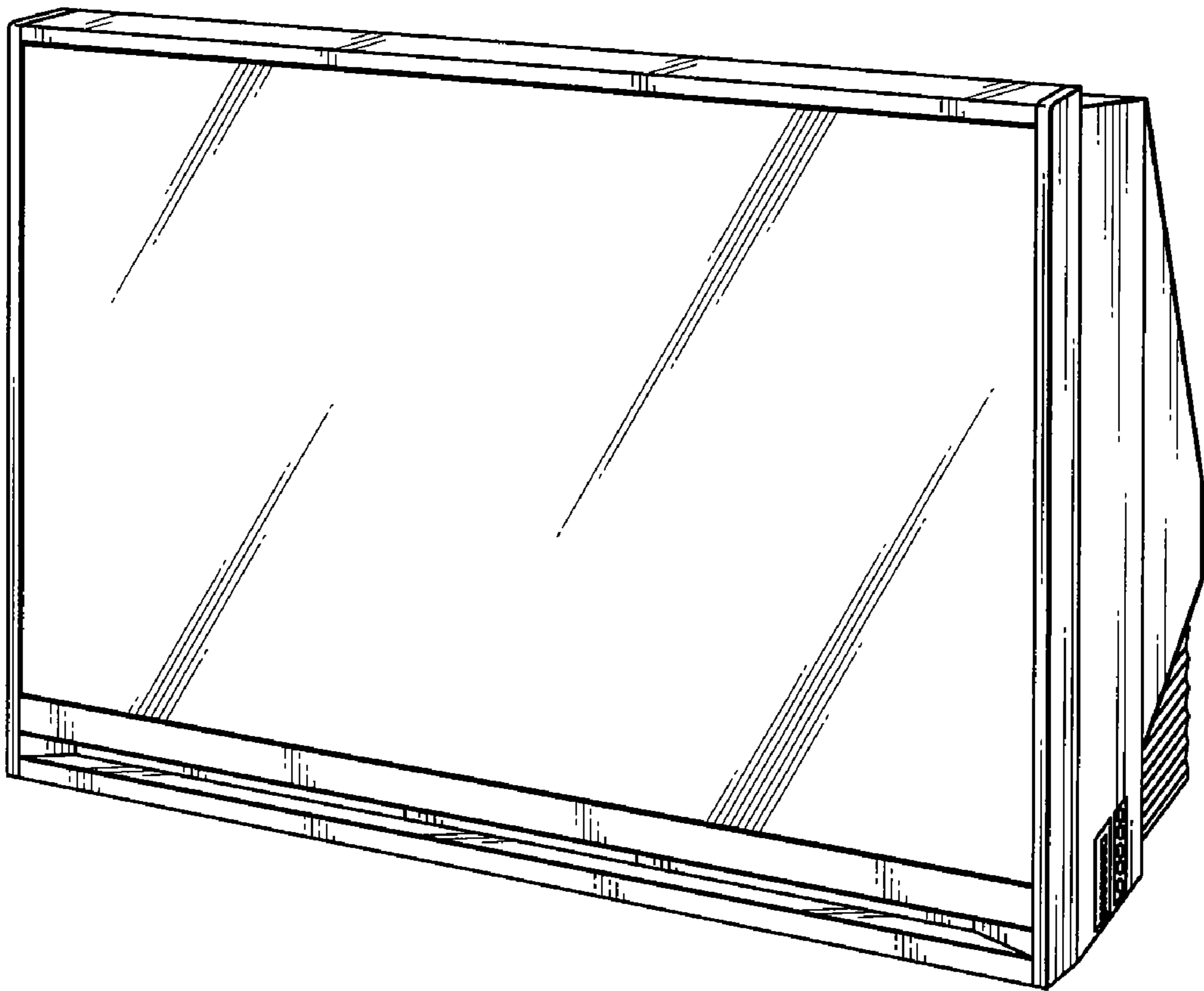


FIG. 1

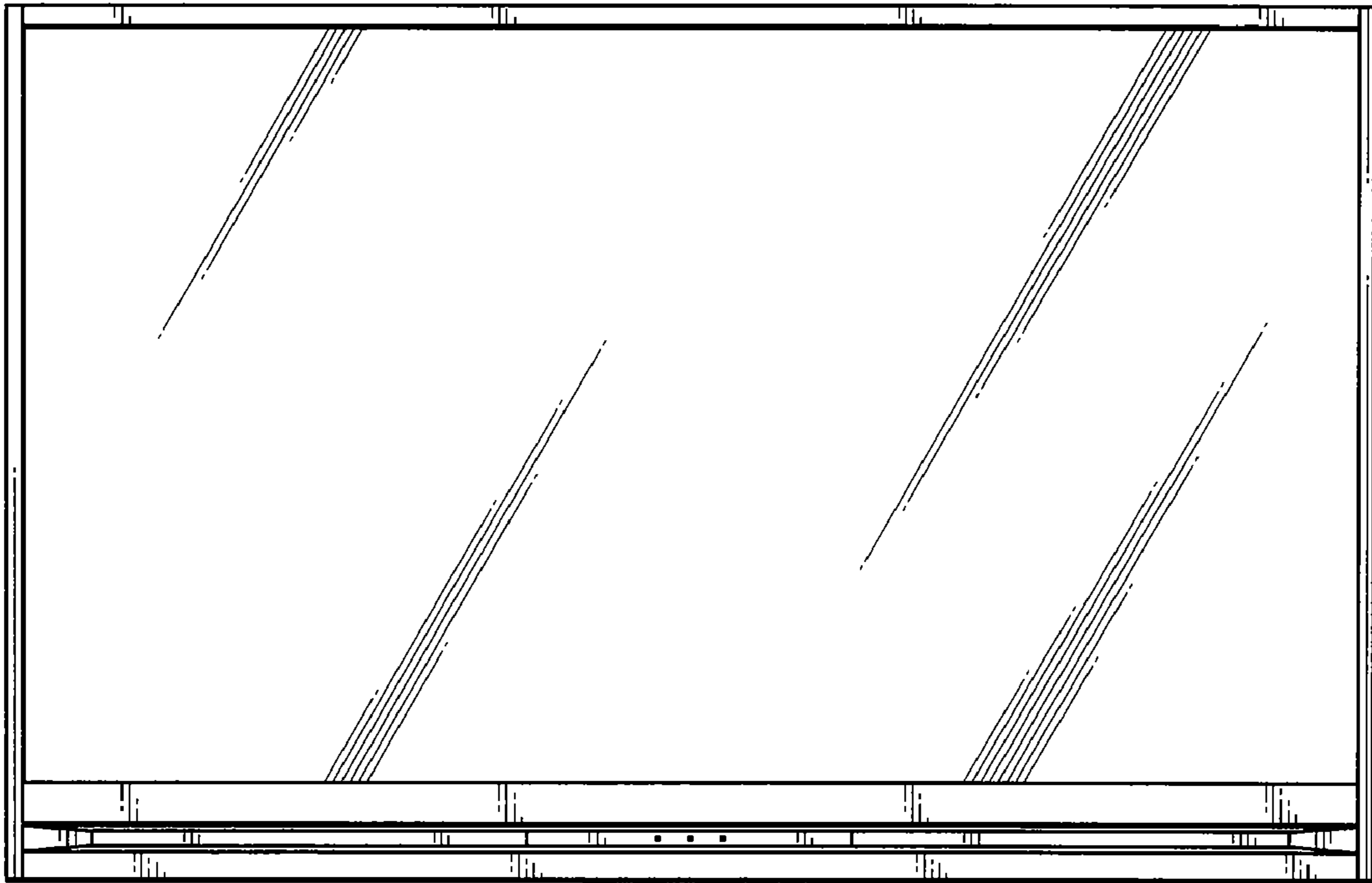


FIG. 2

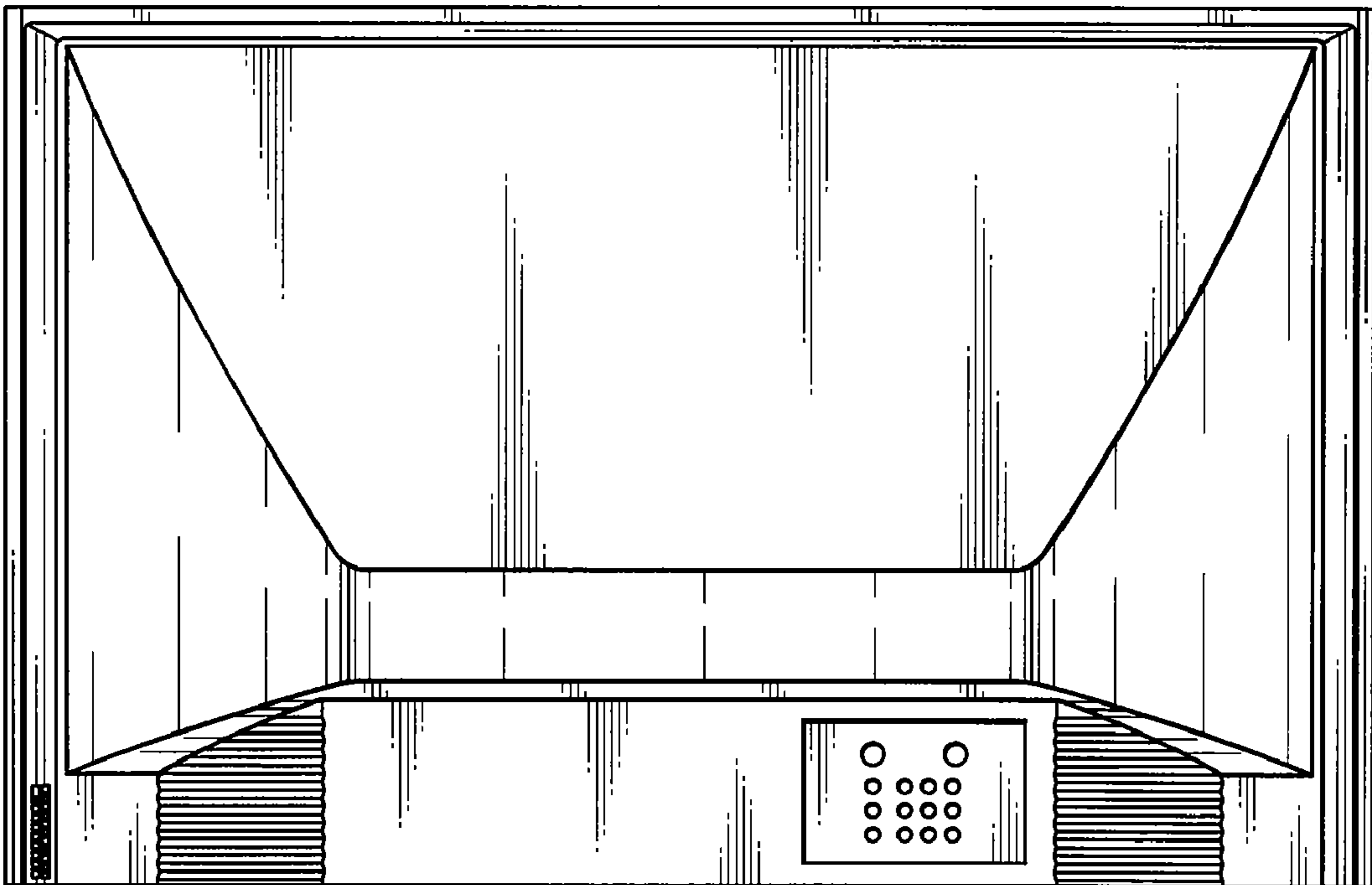


FIG. 3

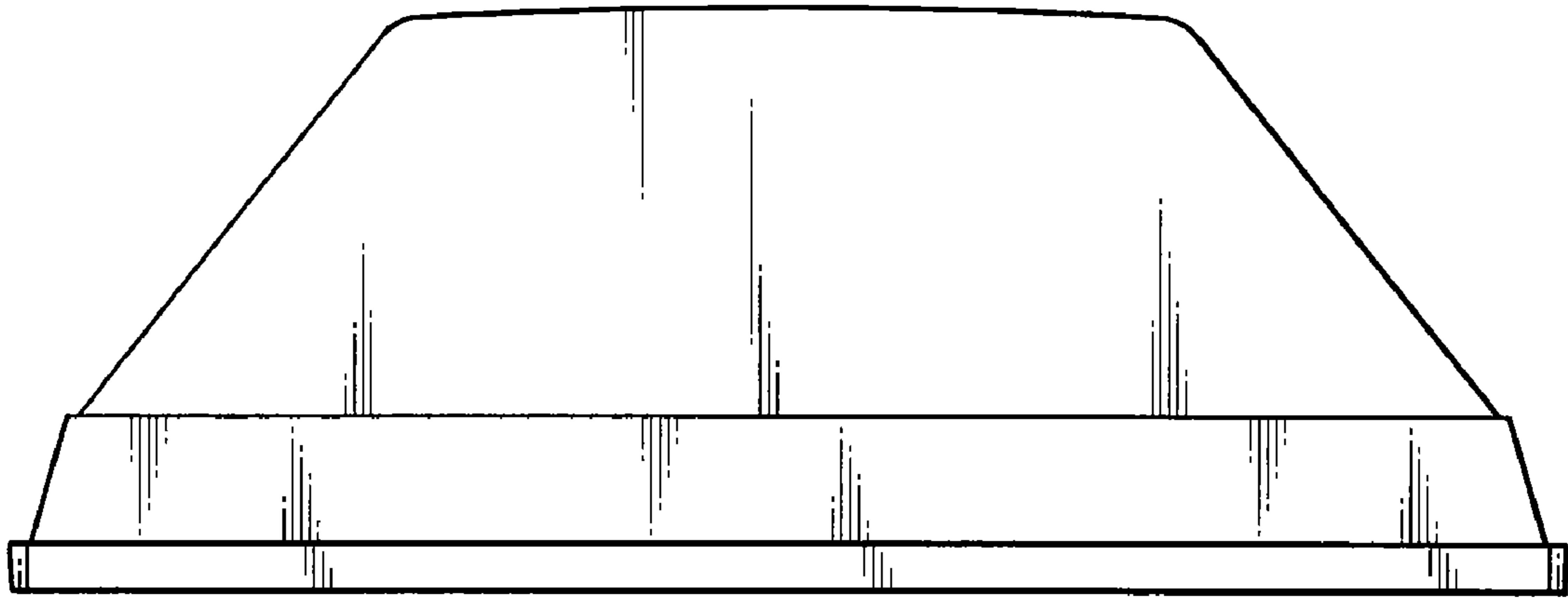


FIG. 4

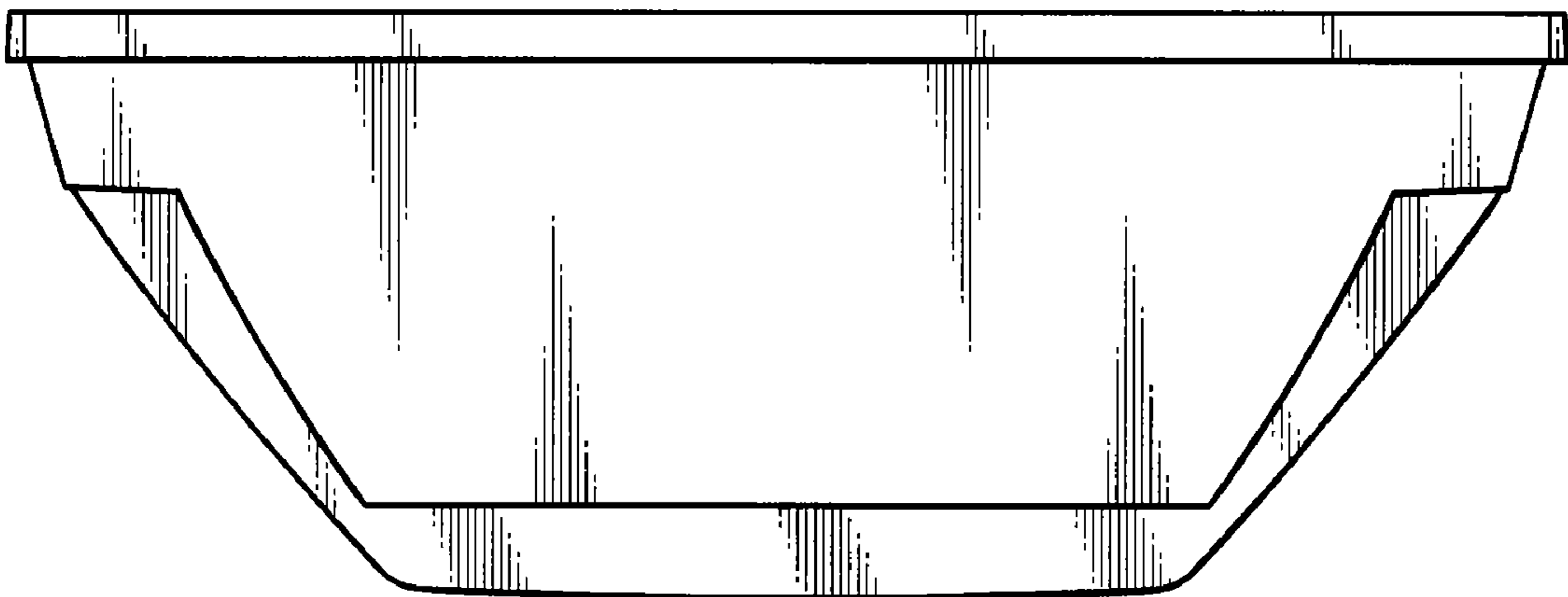


FIG. 5

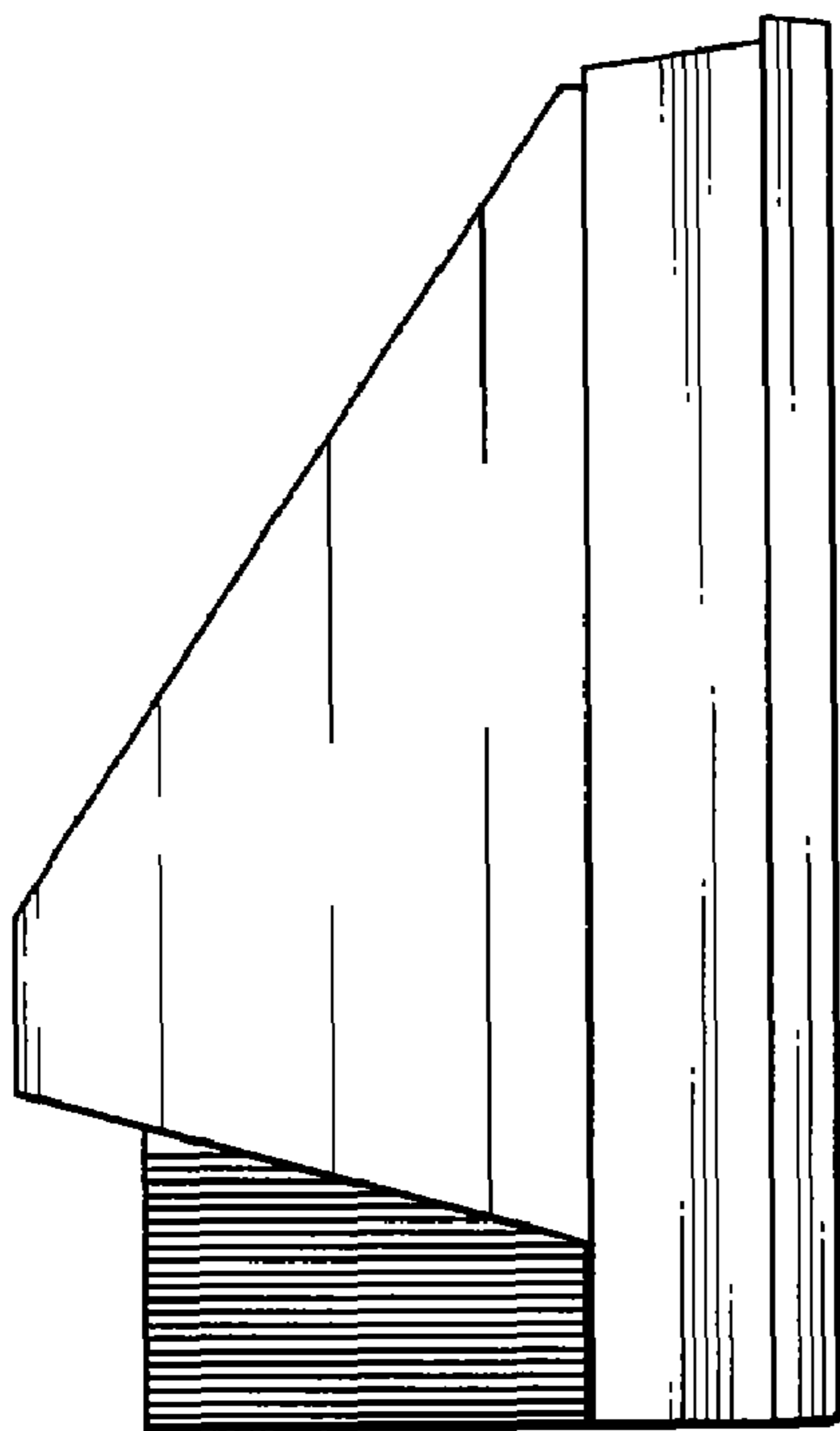


FIG. 6



FIG. 7