



US00D558696S

(12) **United States Design Patent** (10) **Patent No.:** **US D558,696 S**
Park et al. (45) **Date of Patent:** **** Jan. 1, 2008**

(54) **LCD MONITOR**

(75) Inventors: **Jae-Beom Park**, Seoul (KR); **Ki-Soo Kim**, Seoul (KR)

(73) Assignee: **Samsung Electronics Co., Ltd.**, Kyunggi-do (KR)

(**) Term: **14 Years**

(21) Appl. No.: **29/256,593**

(22) Filed: **Mar. 22, 2006**

(51) **LOC (8) Cl.** **14-03**

(52) **U.S. Cl.** **D14/126**

(58) **Field of Classification Search** D14/125–134,
D14/239, 371, 136, 374–377; 312/7.2; 348/836,
348/838, 180, 184, 325, 739; 341/12; 248/917–924,
248/465; 345/104, 133, 156, 168, 87, 173;
720/605, 669, 600, 655; 369/99, 197; 455/344–347
See application file for complete search history.

(56) **References Cited**

U.S. PATENT DOCUMENTS

D357,468 S	4/1995	Rodd	
D387,041 S *	12/1997	Horiki et al.	D14/374
D410,447 S *	6/1999	Chang	D14/375
D412,892 S	8/1999	Lee	
6,015,120 A	1/2000	Sweere et al.	
D458,928 S	6/2002	Duan	
D475,049 S *	5/2003	Duan	D14/375
D477,320 S	7/2003	Peng et al.	
D489,370 S	5/2004	Jobs et al.	
D504,876 S *	5/2005	Zheng	D14/126
D512,424 S	12/2005	Kim	
D523,827 S *	6/2006	Lin et al.	D14/126
D529,882 S *	10/2006	Hoehn et al.	D14/126
D529,911 S *	10/2006	Yamashiro et al.	D14/375

OTHER PUBLICATIONS

U.S. Appl. No. 29/217,926, Applicant: Young-Jun Kim, et al., filed Nov. 23, 2004 entitled Projection Television.

U.S. Appl. No. 29/218,855, Applicant: Seung-Ho Lee, et al., filed Dec. 8, 2004 entitled LCD TV.

U.S. Appl. No. 29/218,856, Applicant: Seung-Ho Lee, et al., filed Dec. 8, 2004 entitled LCD TV.

U.S. Appl. No. 29/228,022, Applicant: Yun-Je Kang, et al., filed Apr. 19, 2005 entitled Projection Television.

U.S. Appl. No. 29/228,541, Applicant: Young-Sun Shin, et al., filed Apr. 25, 2005 entitled Television.

U.S. Appl. No. 29/228,026, Applicant: Yun-Je Kang, et al., filed Apr. 19, 2005 entitled Projection Television.

U.S. Appl. No. 29/228,024, Applicant: Ki-Soo Kim, et al., filed Apr. 19, 2005 entitled LCD Television.

U.S. Appl. No. 29/231,241, Applicant: Young-Jun Kim, et al., filed Jun. 2, 2005 entitled Monitor.

U.S. Appl. No. 29/231,236, Applicant: Ki-Soo Kim, et al., filed Jun. 2, 2005 entitled LCD Monitor.

U.S. Appl. No. 29/231,924, Applicant: Sang-II Park, et al., filed Jun. 10, 2005 entitled LCD Monitor.

U.S. Appl. No. 29/231,925, Applicant: Sang-II Park, et al., filed Jun. 10, 2005 entitled LCD Monitor.

U.S. Appl. No. 29/241,314, Applicant: Gisuke Ota, filed Oct. 26, 2005 entitled LCD Monitor.

(Continued)

Primary Examiner—Raphael Barkai

(74) *Attorney, Agent, or Firm*—Flynn, Thiel, Boutell & Tanis, P.C.

(57) **CLAIM**

The ornamental design for a LCD monitor, as shown and described.

DESCRIPTION

FIG. 1 is a top front perspective view of a LCD monitor showing our new design;

FIG. 2 is a front elevational view thereof;

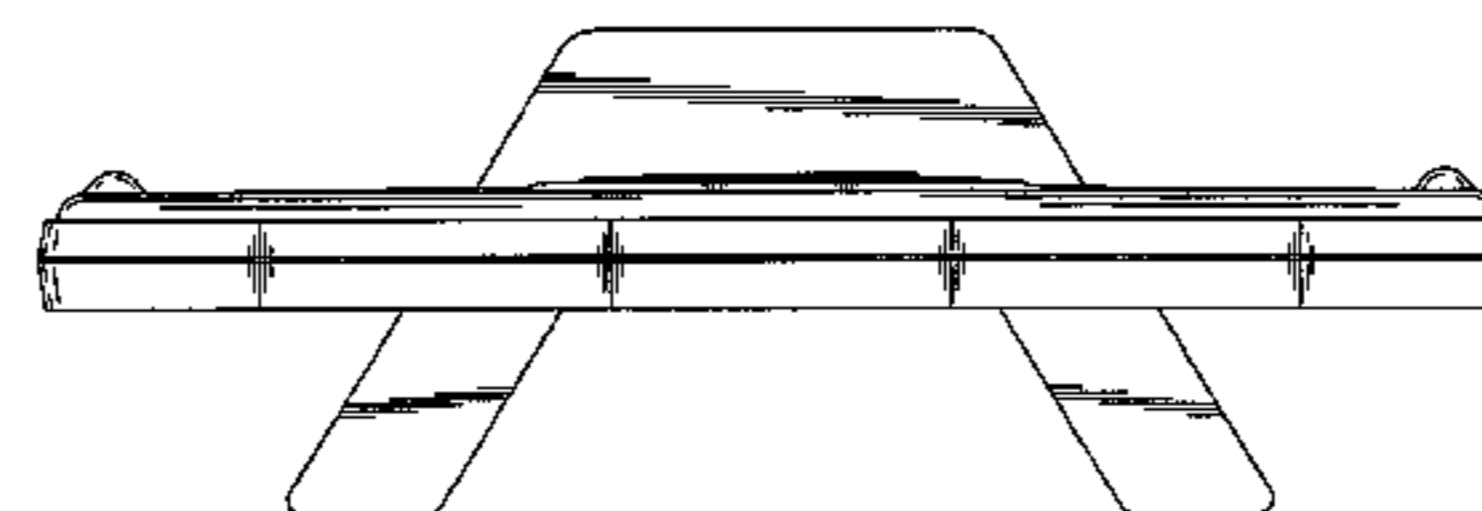
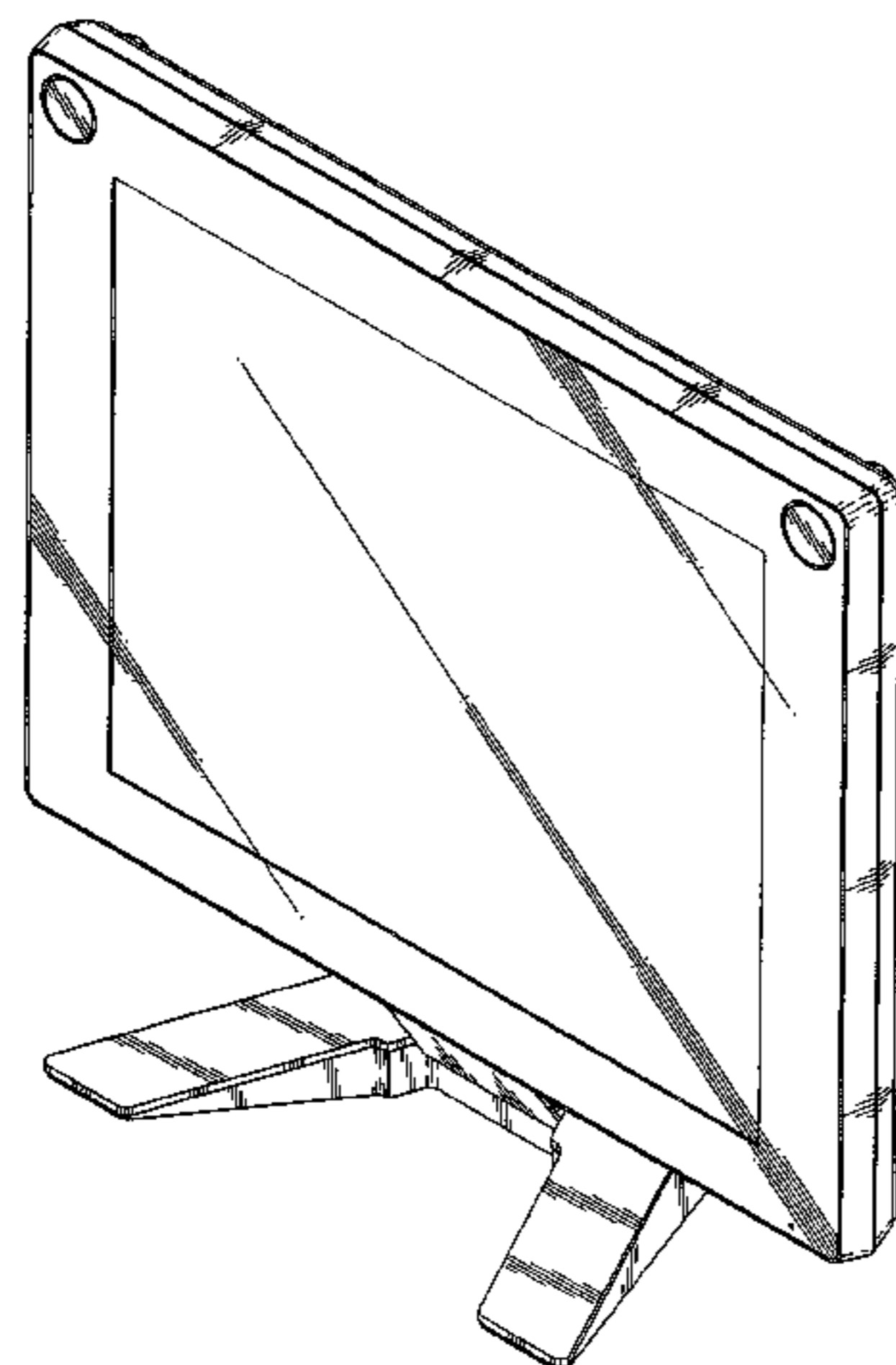
FIG. 3 is a rear elevational view thereof;

FIG. 4 is a left side elevational view, the right side being symmetrical thereof;

FIG. 5 is a top plan view thereof; and,

FIG. 6 is a bottom plan view thereof.

1 Claim, 5 Drawing Sheets



OTHER PUBLICATIONS

U.S. Appl. No. 29/236,042, Applicant: Yun-Je Kang, et al., filed Aug. 10, 2005 entitled Projection Television.

U.S. Appl. No. 29/236,043, Applicant: Yun-Je Kang, et al., filed Aug. 10, 2005 entitled Projection Television.

U.S. Appl. No. 29/236,044, Applicant: Sang-Won Yoon, filed Aug. 10, 2005 entitled LCD Monitor.

U.S. Appl. No. 29/236,045, Applicant: Yun-Je Kang, et al., filed Aug. 10, 2005 entitled Projection Television.

U.S. Appl. No. 29/236,046, Applicant: Min-Hyong Boo, et al., filed Aug. 10, 2005 entitled LCD Monitor.

U.S. Appl. No. 29/236,961, Applicant: Kyoung-Hoon Kim, et al., filed Aug. 24, 2005 entitled Television.

U.S. Appl. No. 29/236,965, Applicant: Jun-Ho Yang, et al., filed Aug. 24, 2005 entitled Television.

U.S. Appl. No. 29/236,966, Applicant: Jun-Ho Yang, et al., filed Aug. 24, 2005 entitled LCD Television.

U.S. Appl. No. 29/236,967, Applicant: Jun-Ho Yang, et al., filed Aug. 24, 2005 entitled Television.

U.S. Appl. No. 29/236,968, Applicant: Jun-Ho Yang, et al., filed Aug. 24, 2005 entitled Television.

U.S. Appl. No. 29/236,969, Applicant: Jun-Ho Yang, et al., filed Aug. 24, 2005 entitled Television.

U.S. Appl. No. 29/240,581, Applicant: Tae-Yeon Won, et al., filed Oct. 14, 2005 entitled LCD Monitor.

U.S. Appl. No. 29/236,960, Applicant: Baek-Ki Kim, et al., filed Aug. 24, 2005 entitled LCD Monitor.

* cited by examiner

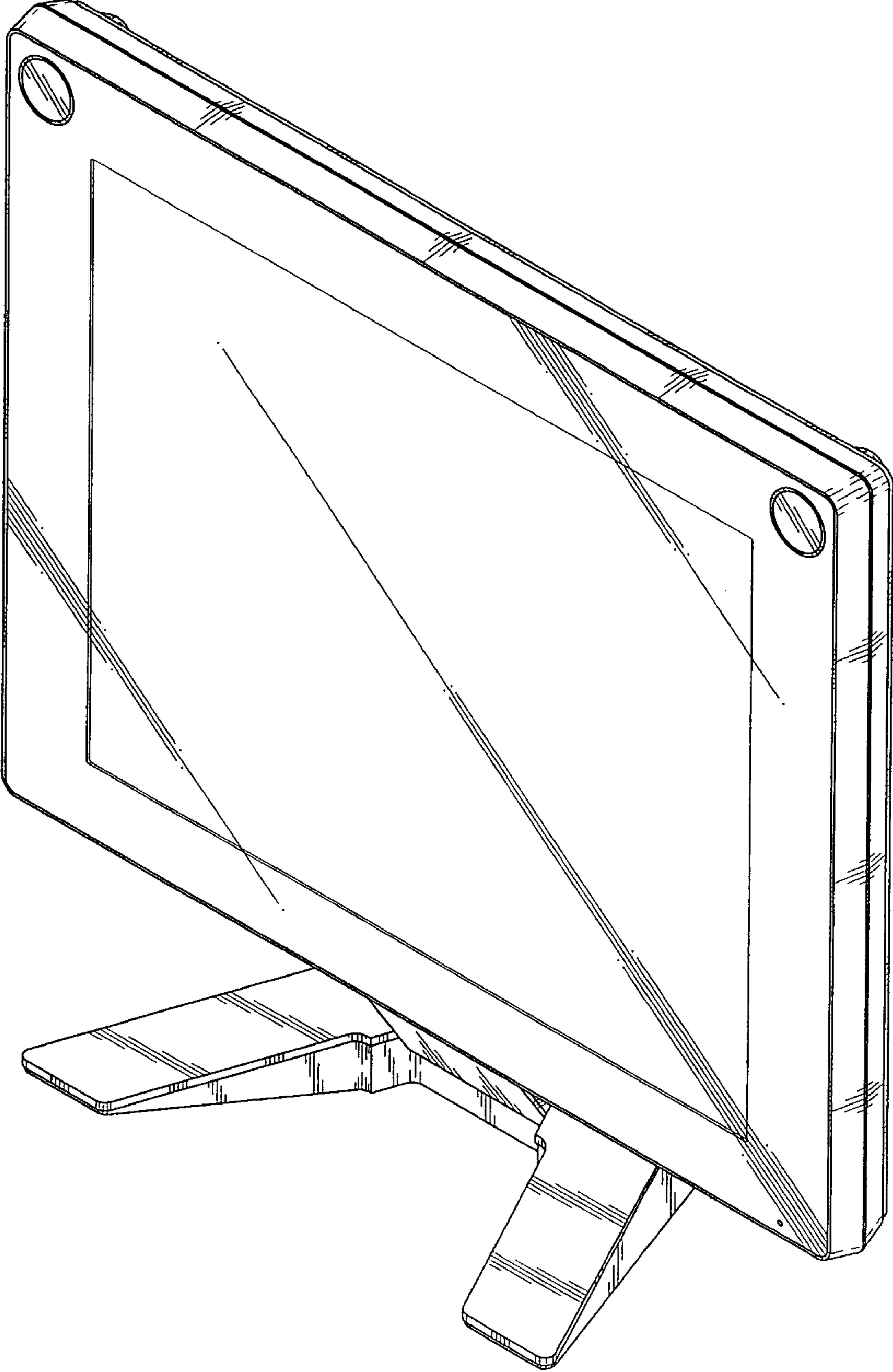


FIG. 1

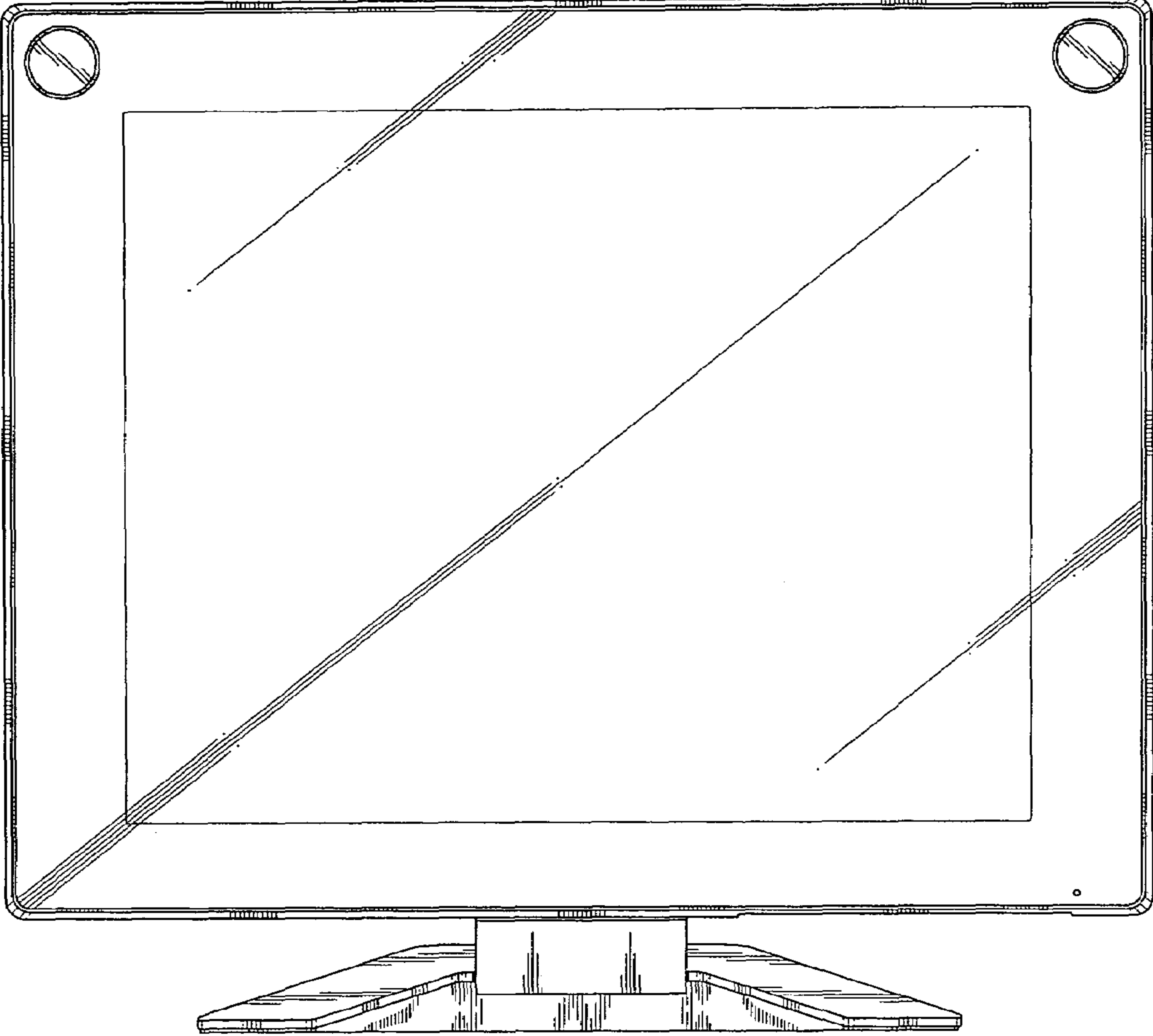


FIG.2

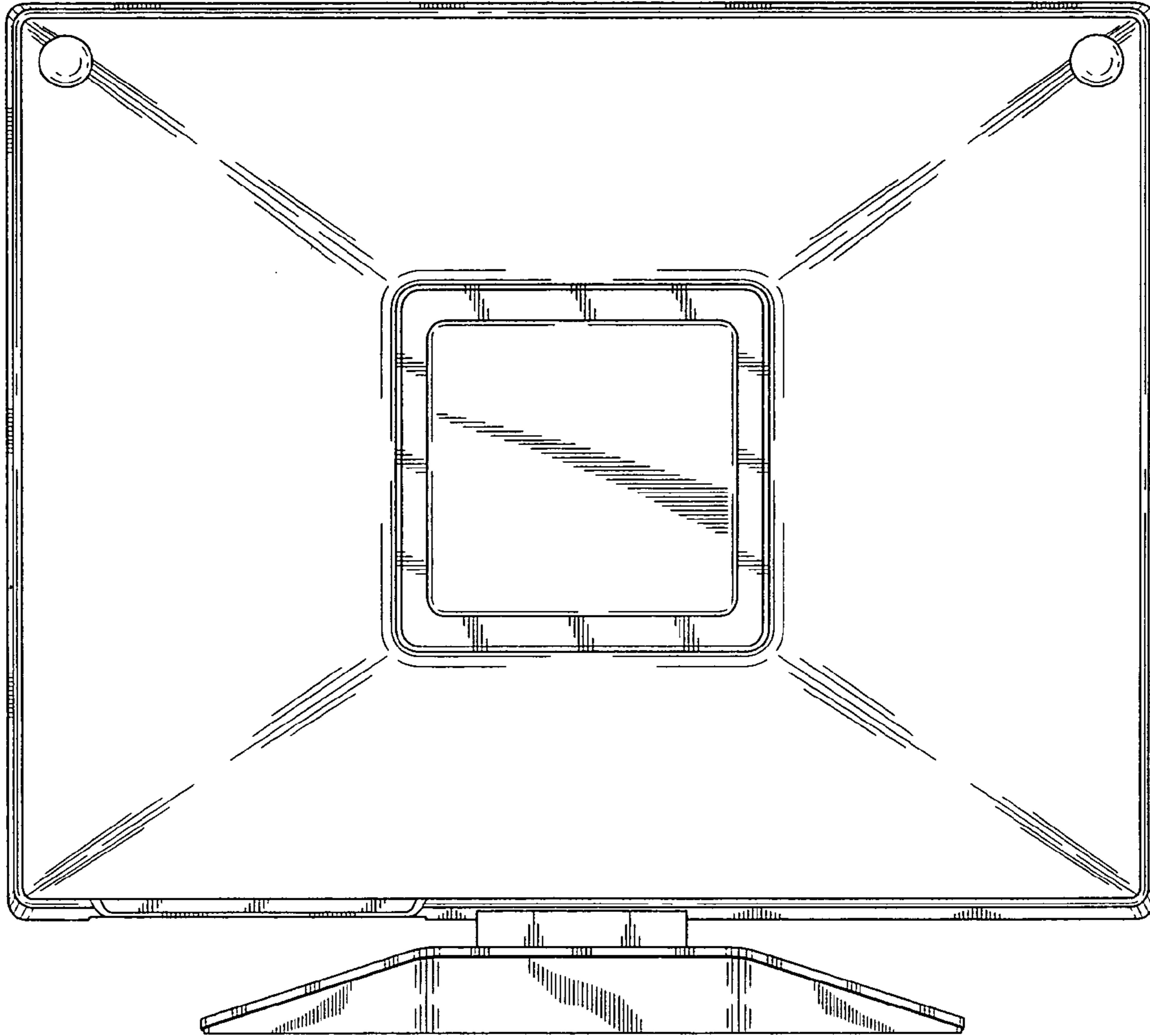


FIG. 3

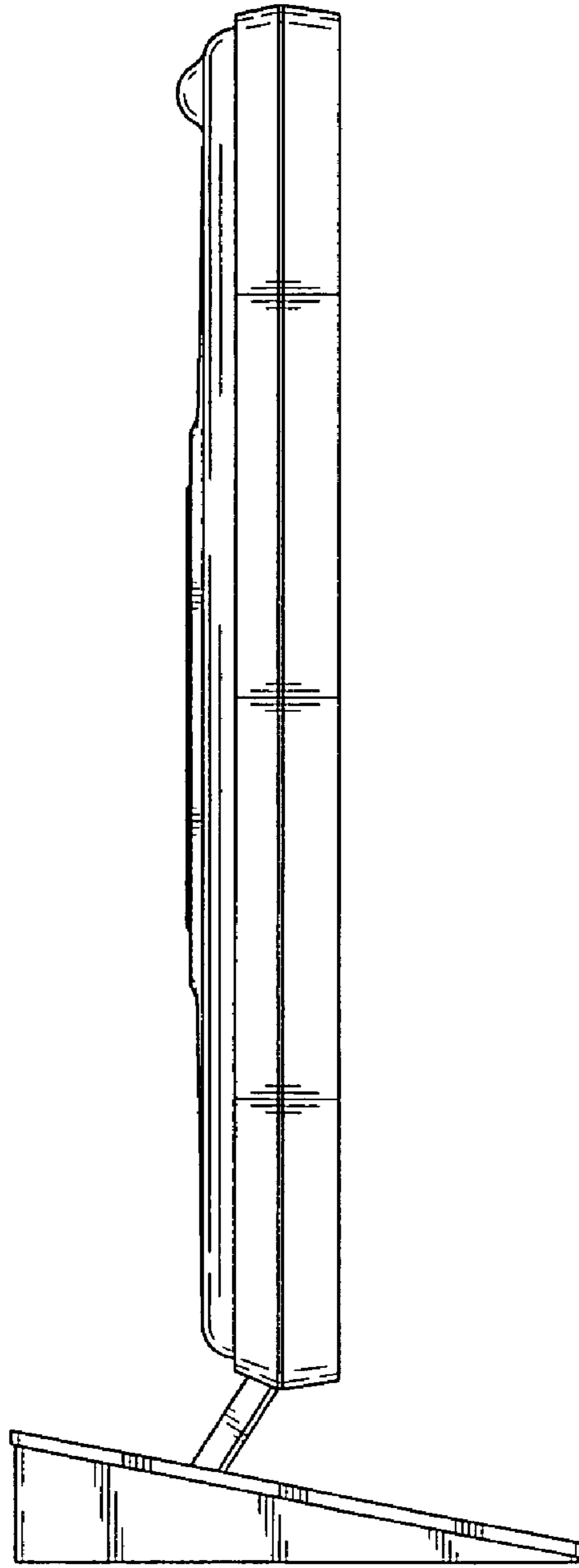


FIG. 4

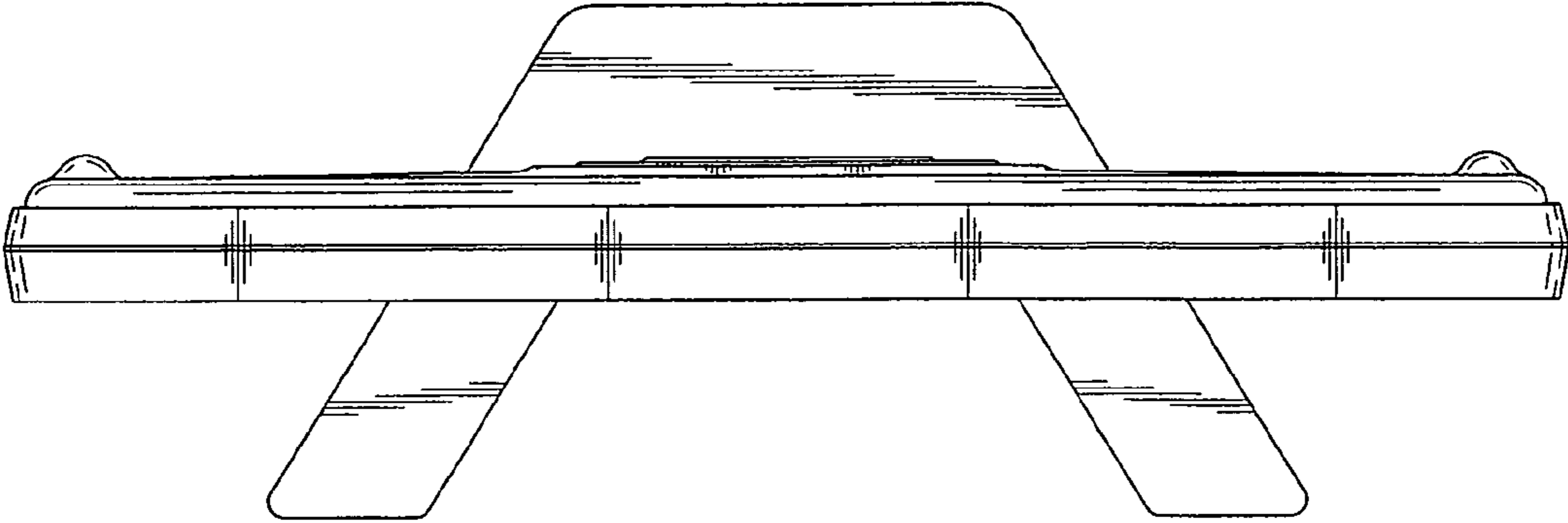


FIG. 5

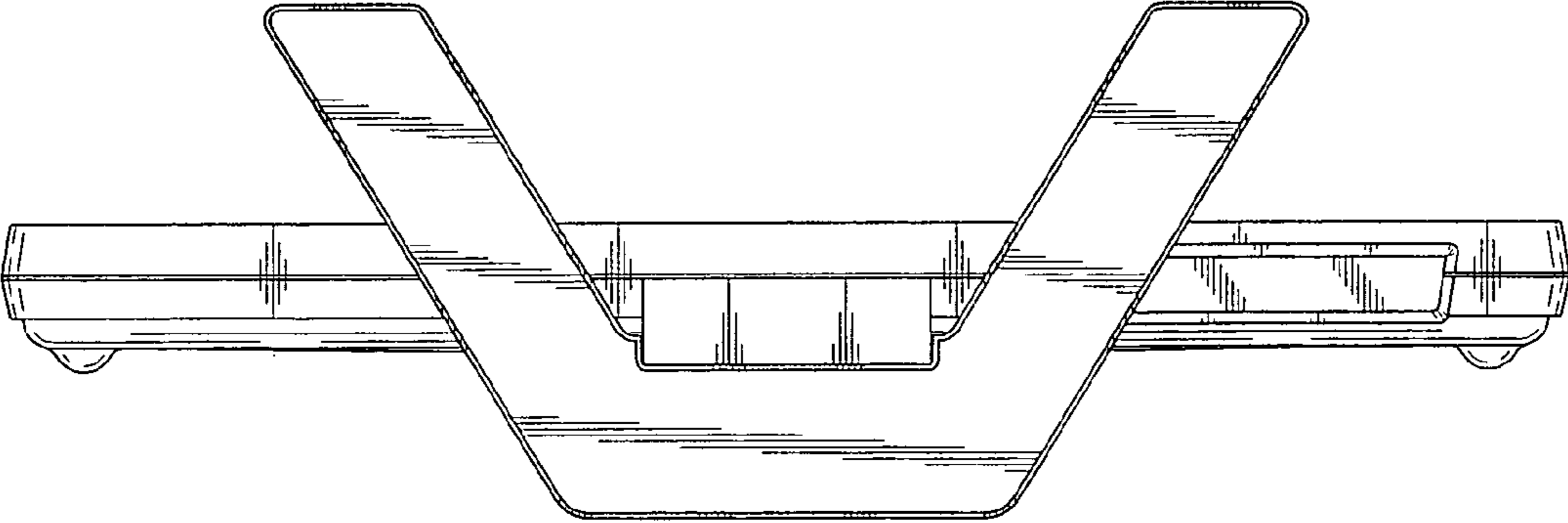


FIG. 6