



US00D558693S

(12) **United States Design Patent**  
**Shin et al.**

(10) **Patent No.:** **US D558,693 S**  
(45) **Date of Patent:** **\*\* Jan. 1, 2008**

(54) **LIGHT-EMITTING DIODE**

(75) Inventors: **Ok Hee Shin**, Suwon (KR); **Young Taek Kim**, Yongin (KR); **Yoon Suk Han**, Seoul (KR); **Jae Joon Yoon**, Suwon (KR)

(73) Assignee: **Samsung Electro-Mechanics Co., Ltd.**, Kyungki-Do (KR)

(\*\*) Term: **14 Years**

(21) Appl. No.: **29/272,668**

(22) Filed: **Feb. 15, 2007**

(30) **Foreign Application Priority Data**

Oct. 11, 2006 (KR) ..... 30-2006-0040854

(51) **LOC (8) Cl.** ..... **13-03**

(52) **U.S. Cl.** ..... **D13/180**

(58) **Field of Classification Search** ..... D13/180;  
D26/2; 257/79, 80, 81, 88, 89, 95, 98, 99,  
257/100; 313/483, 498, 500; 362/555, 800  
See application file for complete search history.

(56) **References Cited**

**U.S. PATENT DOCUMENTS**

D512,693 S \* 12/2005 Kim et al. .... D13/180

D528,998 S \* 9/2006 Song et al. .... D13/180  
7,242,035 B2 \* 7/2007 Kim et al. .... 257/99  
D549,187 S \* 8/2007 Park et al. .... D13/180  
2006/0023451 A1 \* 2/2006 Han et al. .... 362/249  
2007/0029564 A1 \* 2/2007 Han et al. .... 257/98

**FOREIGN PATENT DOCUMENTS**

JP D 1249317 8/2005

\* cited by examiner

*Primary Examiner*—Selina Sikder

(74) *Attorney, Agent, or Firm*—McDermott Will & Emery LLP

(57) **CLAIM**

We claim the ornamental design for the light-emitting diode, as shown and described.

**DESCRIPTION**

FIG. 1 is the perspective view of the light-emitting diode

FIG. 2 is the front view thereof

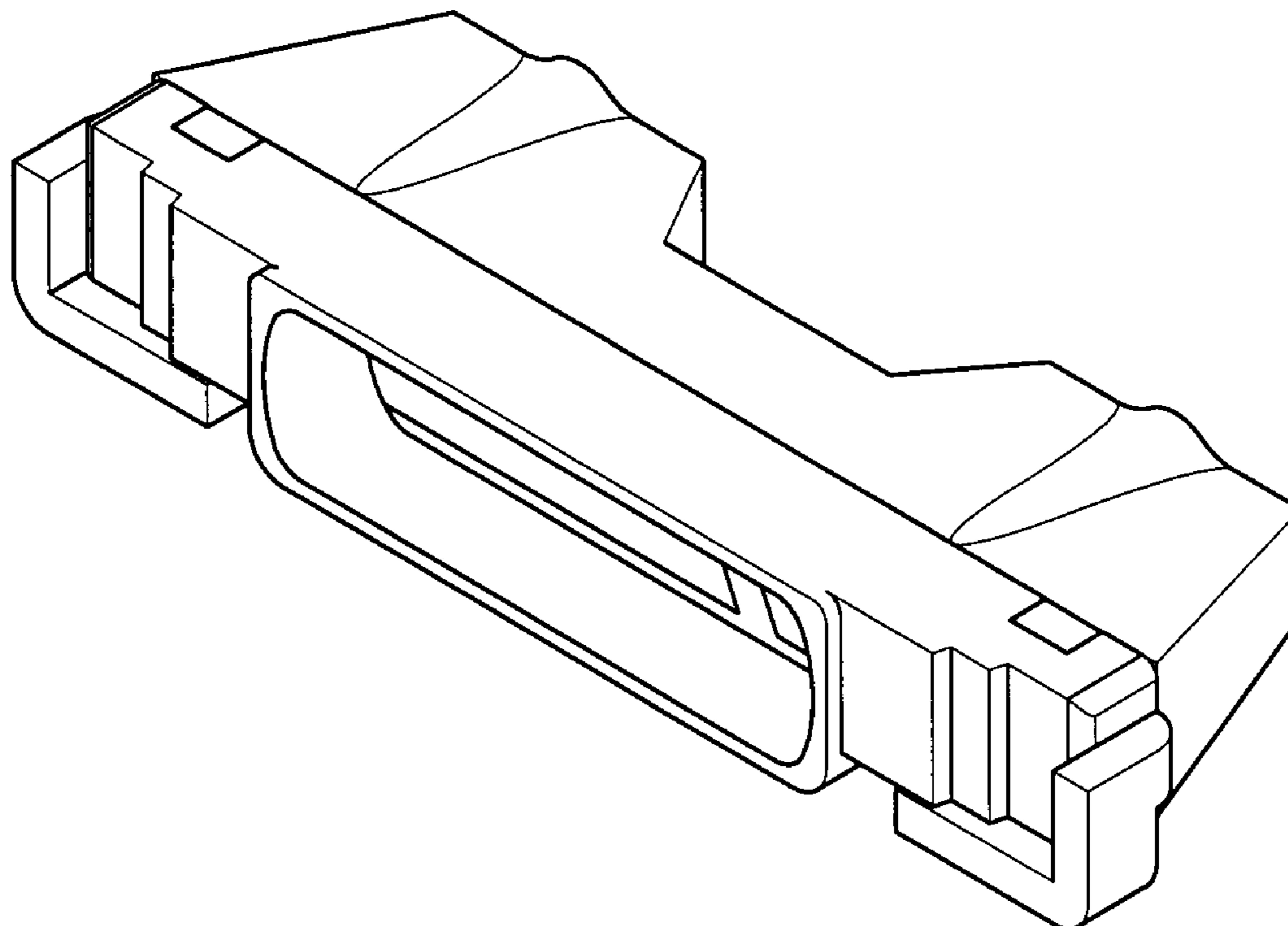
FIG. 3 is the rear view thereof

FIG. 4 is the left side view thereof (the right side view thereof is a mirror image of this)

FIG. 5 is the top plan view thereof; and,

FIG. 6 is the bottom view thereof.

**1 Claim, 2 Drawing Sheets**



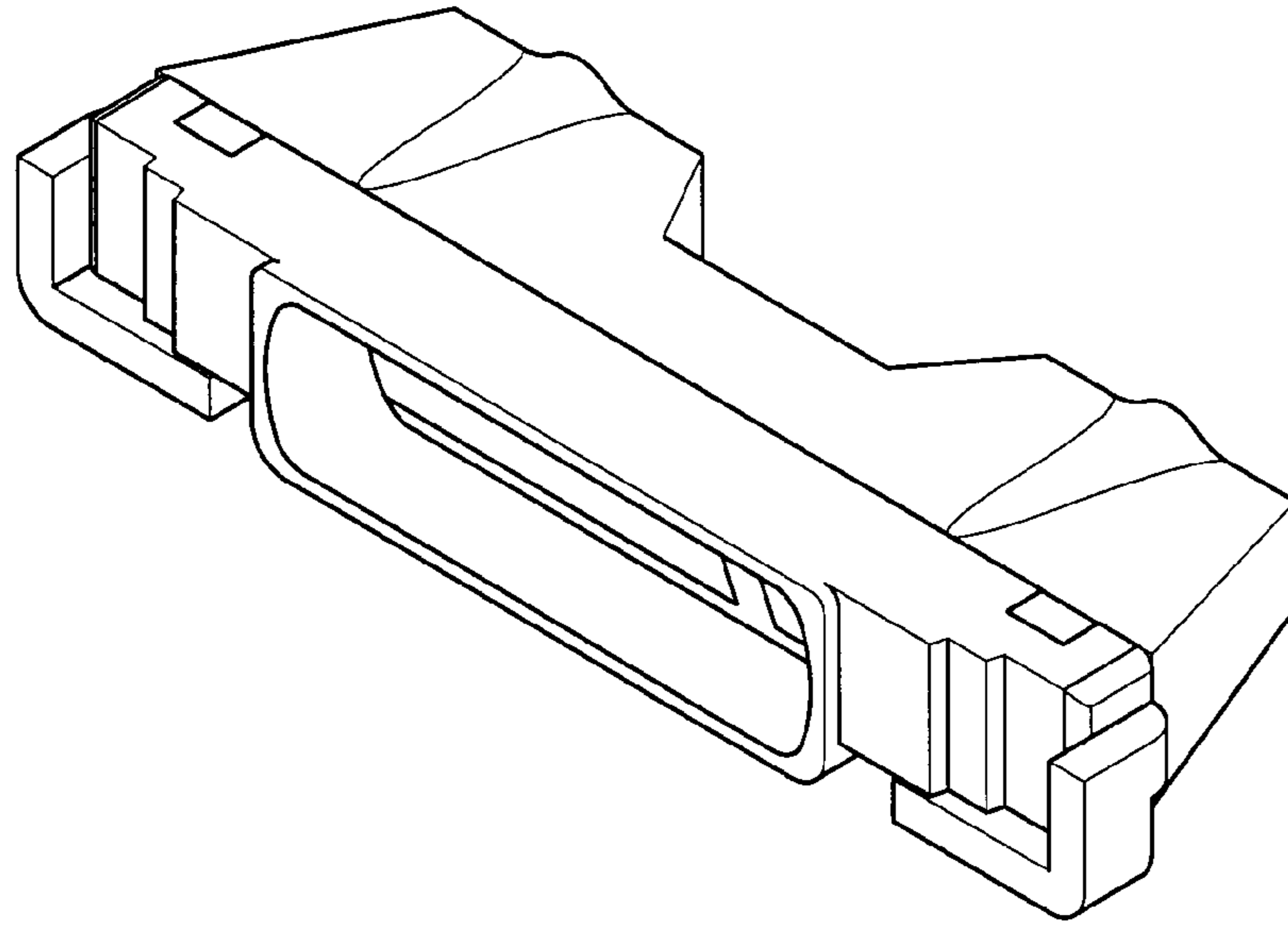


FIG. 1

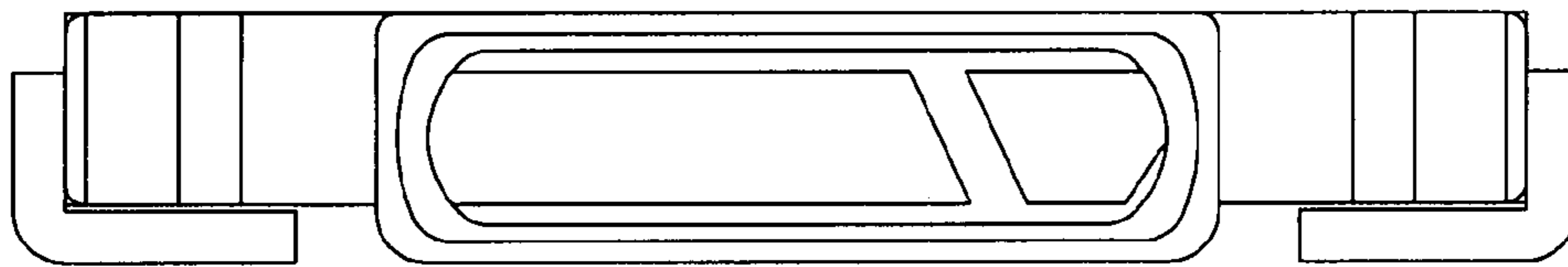


FIG. 2

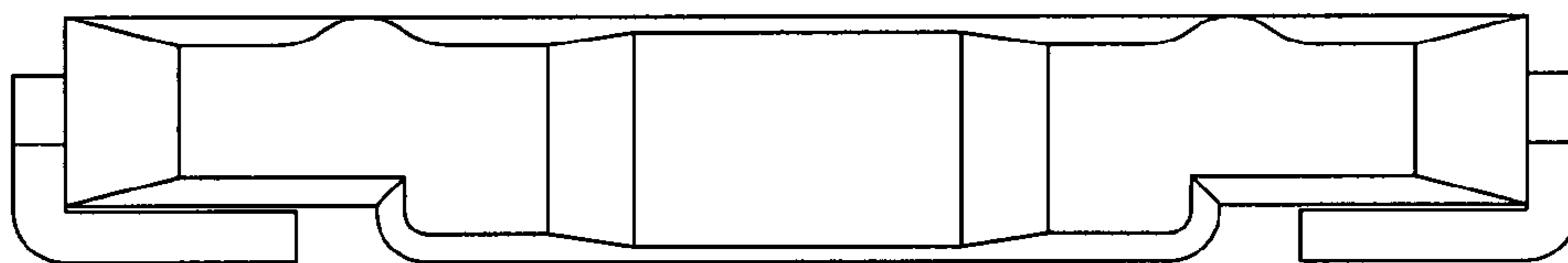


FIG. 3

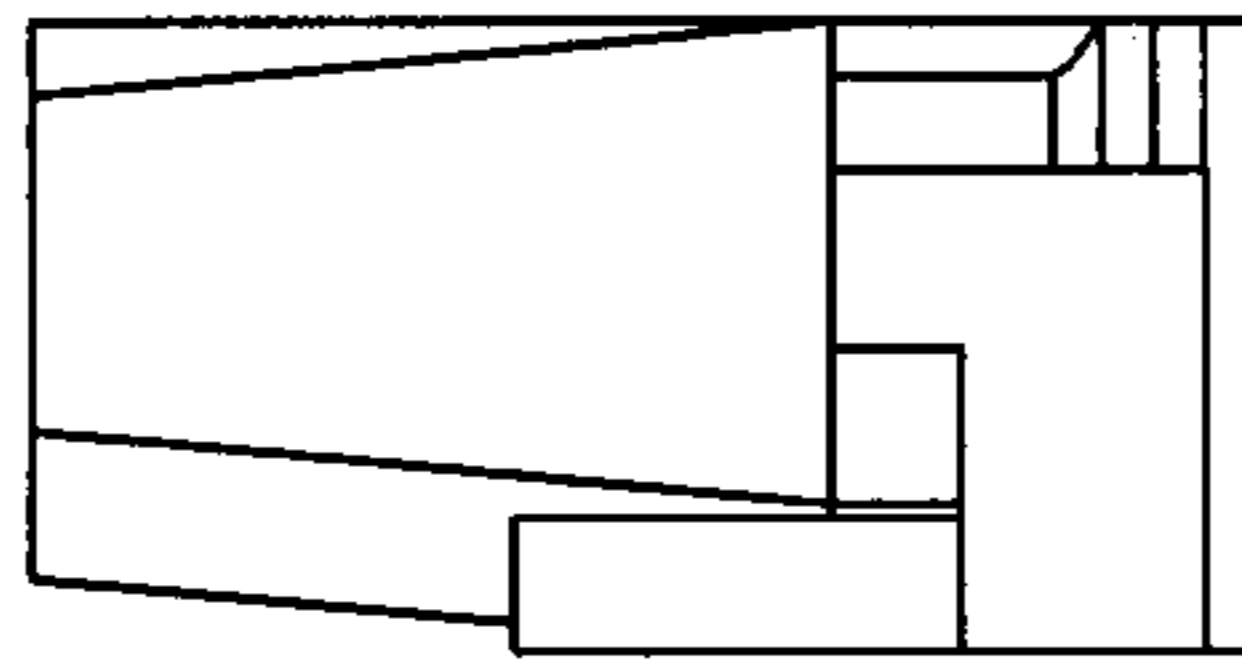


FIG. 4

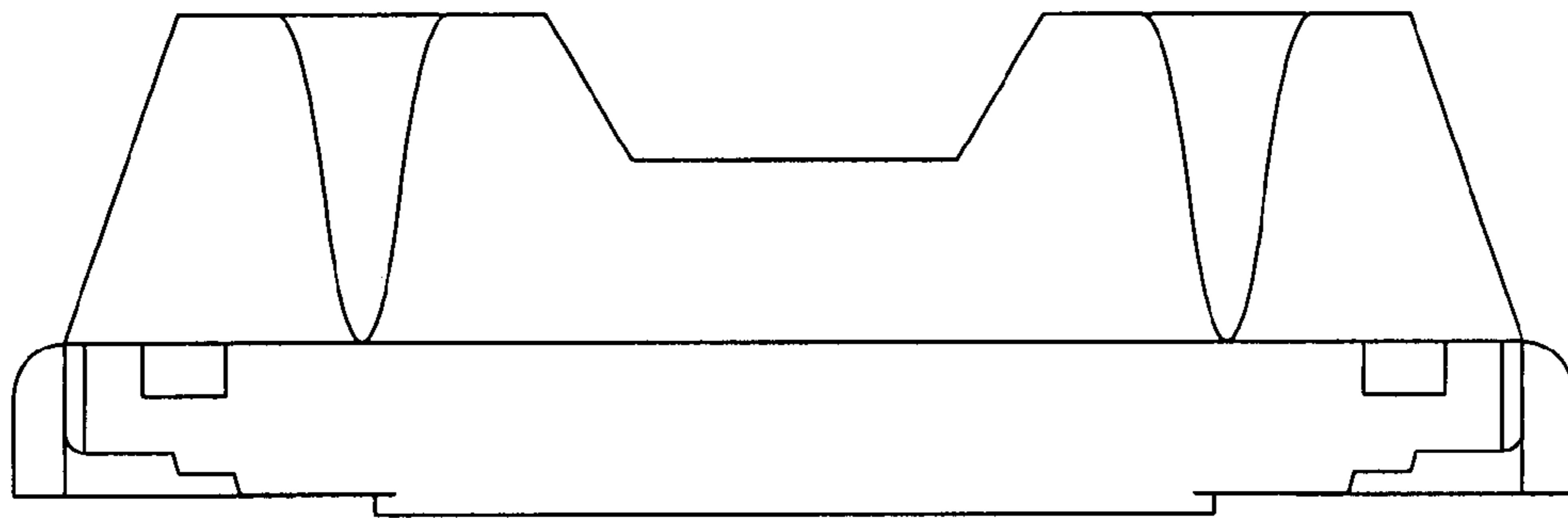


FIG. 5

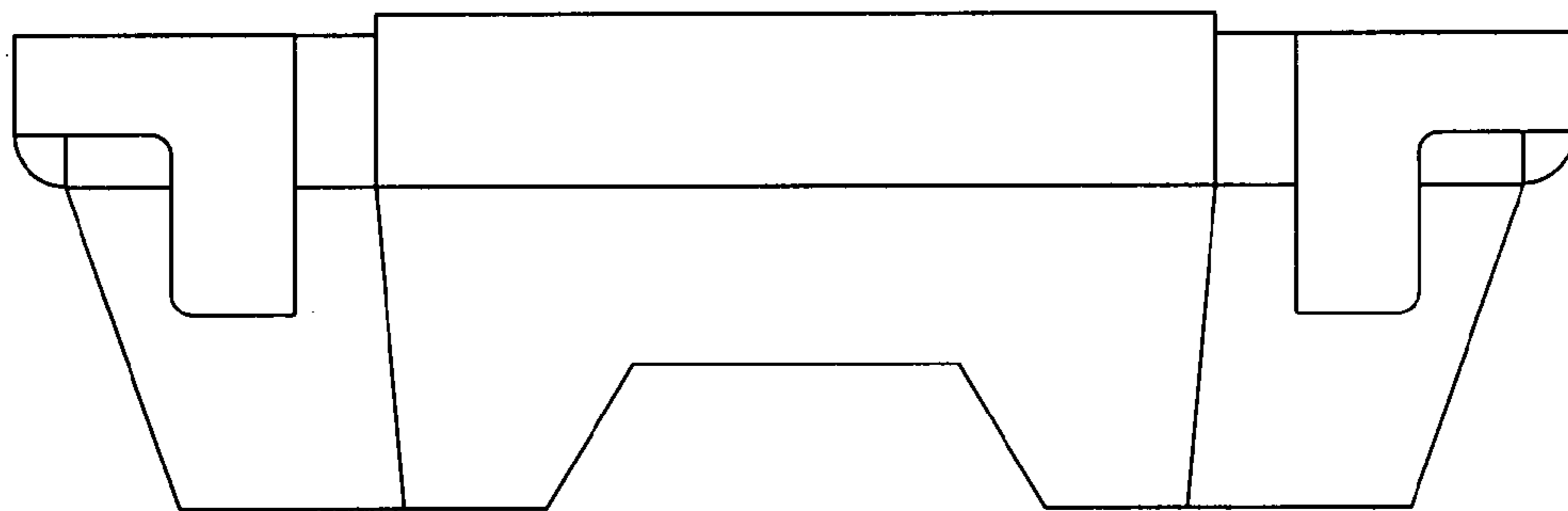


FIG. 6