



US00D558691S

(12) **United States Design Patent**
Perham

(10) **Patent No.:** **US D558,691 S**

(45) **Date of Patent:** **** Jan. 1, 2008**

(54) **ELECTRODE EDGE STRIP OF INDETERMINATE LENGTH**

(75) Inventor: **Owen Perham**, Hallam (AU)

(73) Assignee: **Icon Plastics Pty Ltd.**, Hallam Victoria (AU)

(**) Term: **14 Years**

(21) Appl. No.: **29/272,648**

(22) Filed: **Feb. 14, 2007**

(30) **Foreign Application Priority Data**

Aug. 23, 2006 (AU) 13759/06

(51) **LOC (8) Cl.** **13-03**

(52) **U.S. Cl.** **D13/173**

(58) **Field of Classification Search** D13/139.2,
D13/153, 158-177, 184; D8/390, 396
See application file for complete search history.

(56) **References Cited**

U.S. PATENT DOCUMENTS

D188,103 S *	6/1960	Scofield	D13/153
D210,948 S *	5/1968	Middlemark	D13/153
D224,786 S *	9/1972	Shlesinger	D13/153
D241,444 S *	9/1976	Kilburg	D13/153
D261,134 S *	10/1981	Heritage	D13/139.2
D267,776 S *	2/1983	Holgerson et al.	D8/396
D305,421 S *	1/1990	Widell et al.	D13/153
D335,284 S *	5/1993	McIlwraith	D13/184

D402,540 S *	12/1998	Stridh	D8/390
D411,825 S *	7/1999	Warner	D13/139.2
D454,339 S *	3/2002	Pickens	D13/178
D457,141 S *	5/2002	Barlow et al.	D13/153
D519,931 S *	5/2006	Van Haaster	D13/153

* cited by examiner

Primary Examiner—Selina Sikder

Assistant Examiner—Thomas J Johannes

(74) *Attorney, Agent, or Firm*—Roylance, Abrams, Berdo & Goodman, L.L.P.

(57) **CLAIM**

The ornamental design for an electrode edge strip of indeterminate length, as shown and described.

DESCRIPTION

FIG. 1 is a perspective view of an electrode edge strip of indeterminate length, showing our new design, with locking strip disengaged;

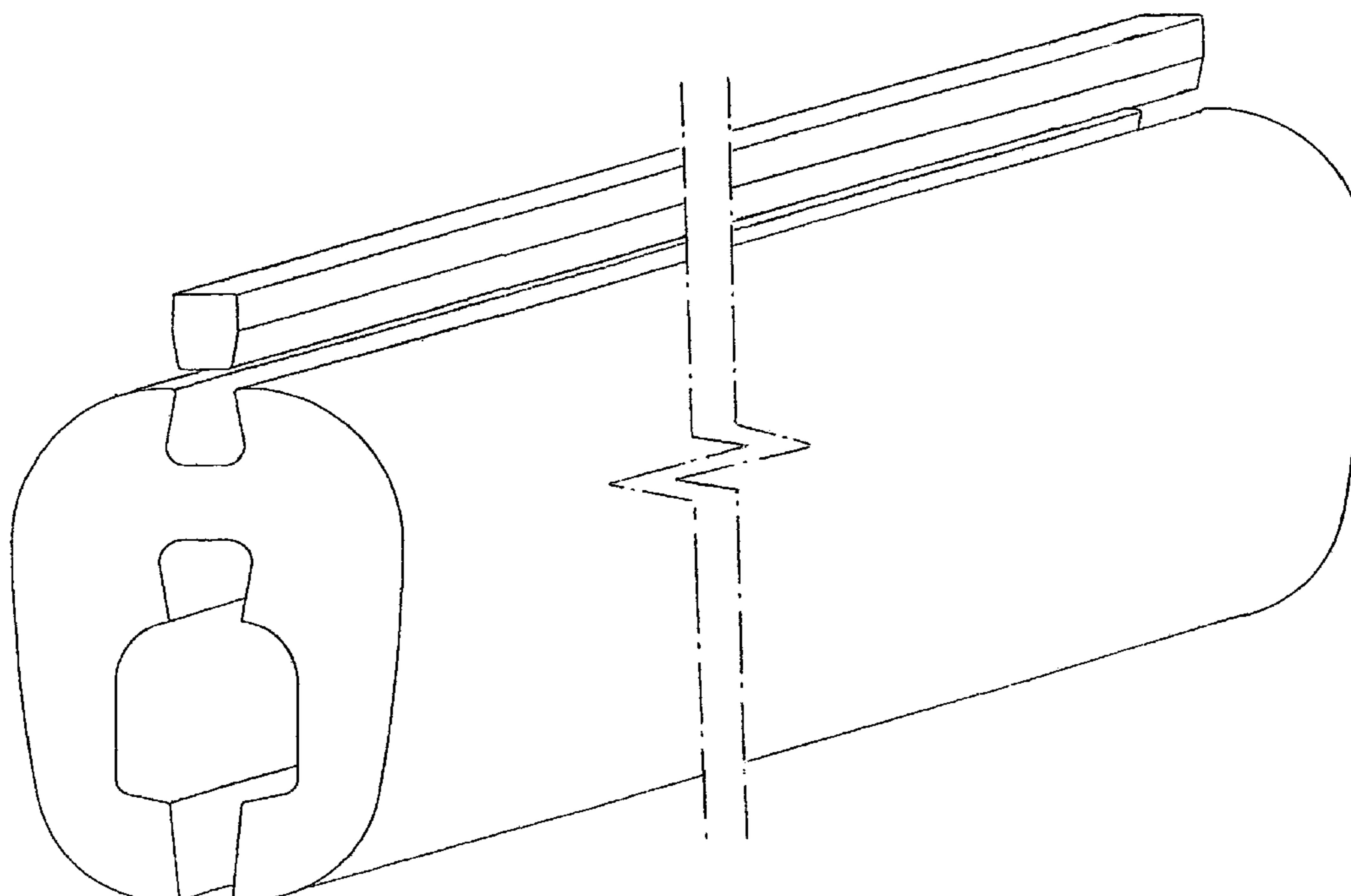
FIG. 2 is a perspective view thereof, with locking strip engaged;

FIG. 3 is an end view thereof, with locking strip disengaged; and,

FIG. 4 is an end view thereof, with locking strip engaged.

The electrode edge strip of indeterminate length is shown broken away in FIGS. 1 and 2 of the drawings to indicate indeterminate length, it being understood that it has a uniform shape and appearance through out its length.

1 Claim, 3 Drawing Sheets



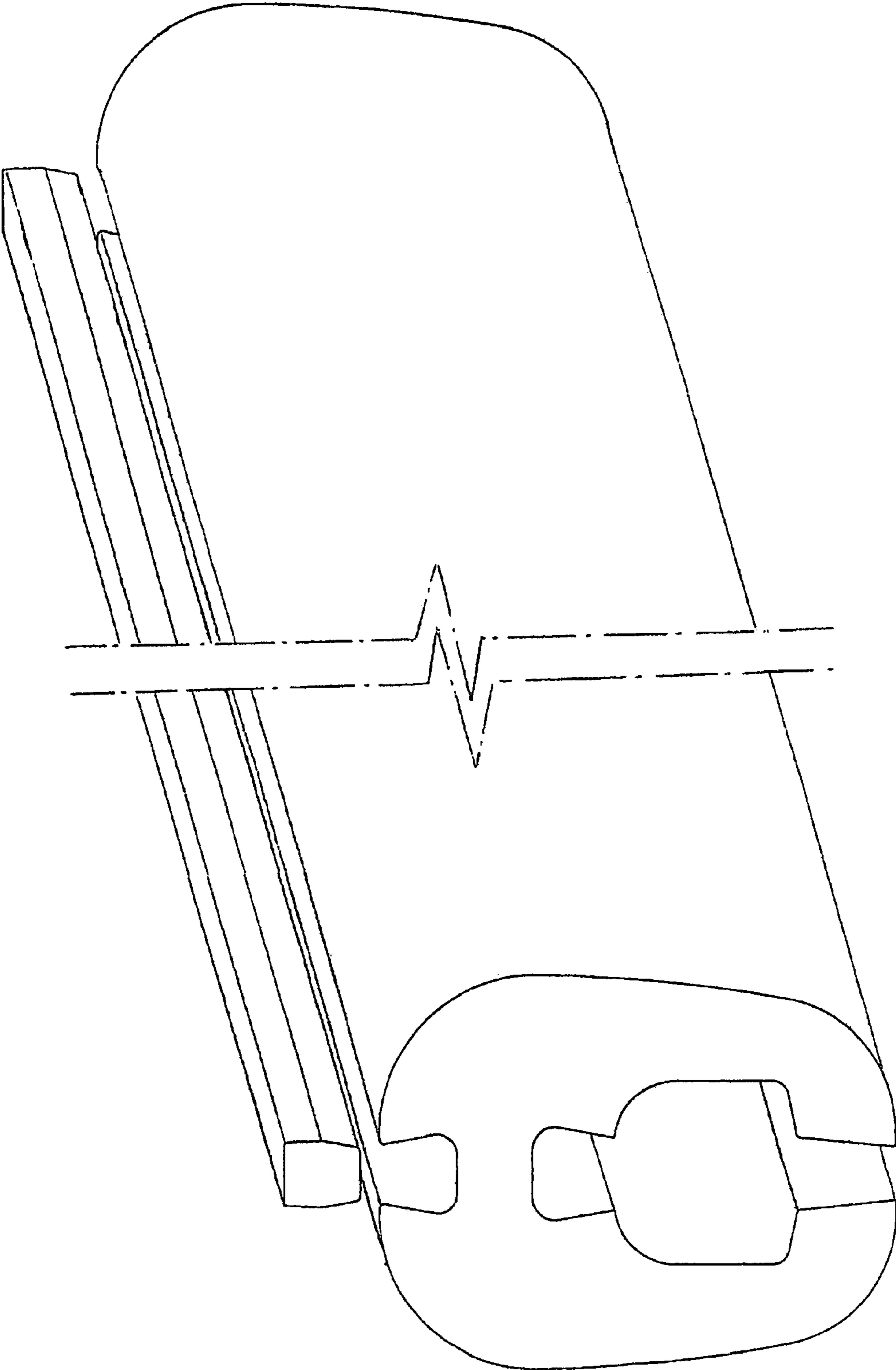


FIGURE 1

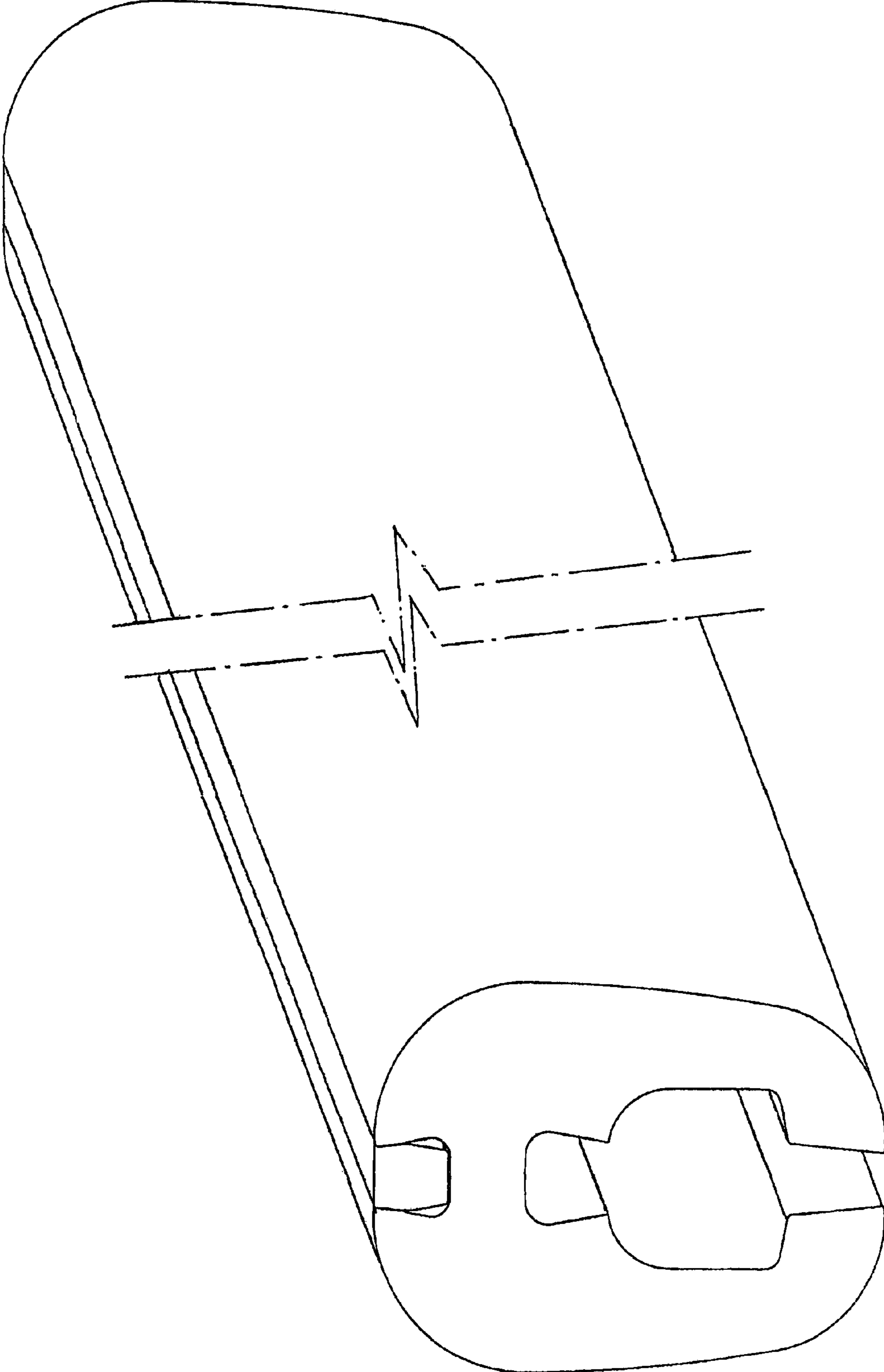


FIGURE 2

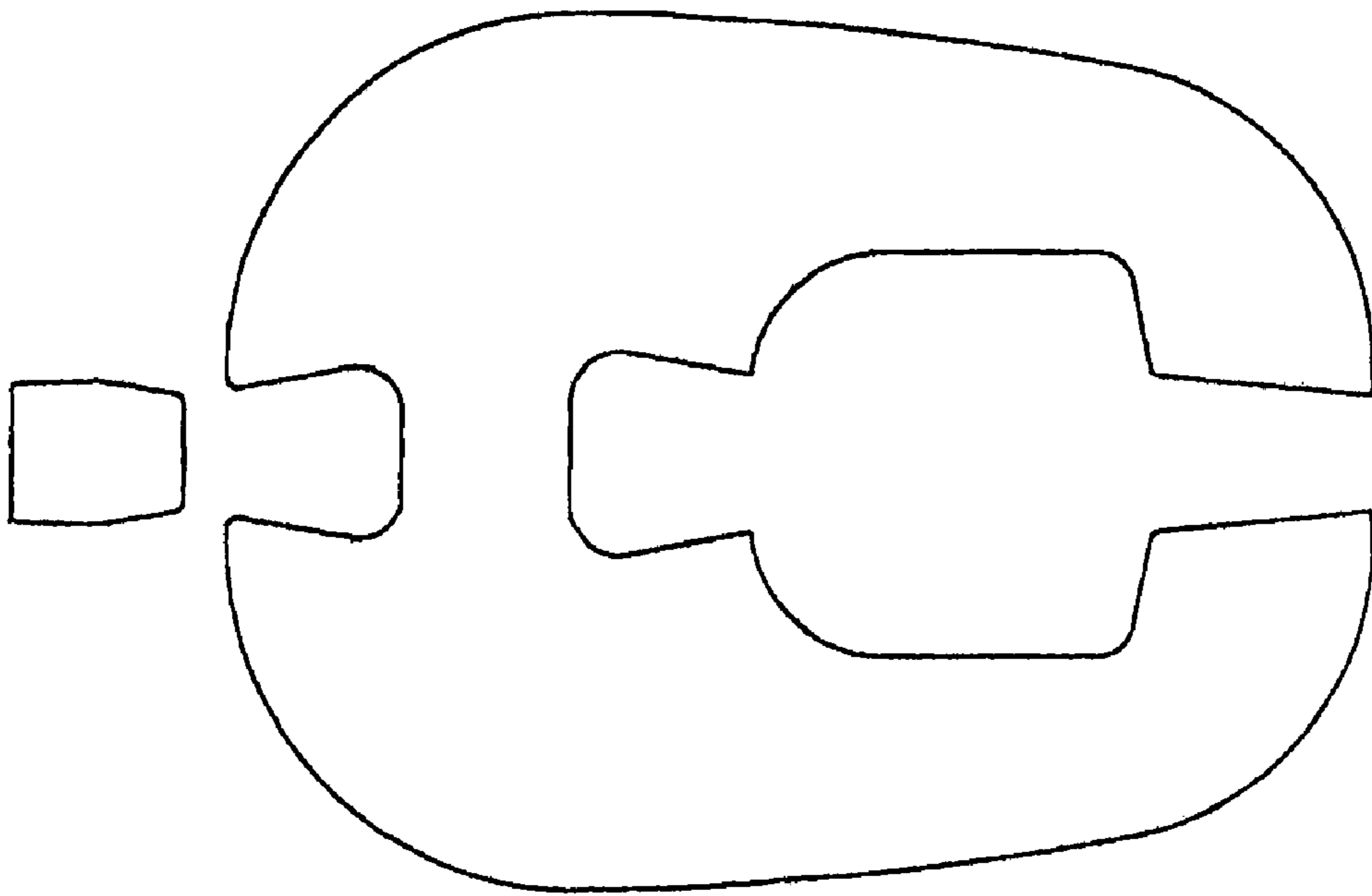


FIGURE 3

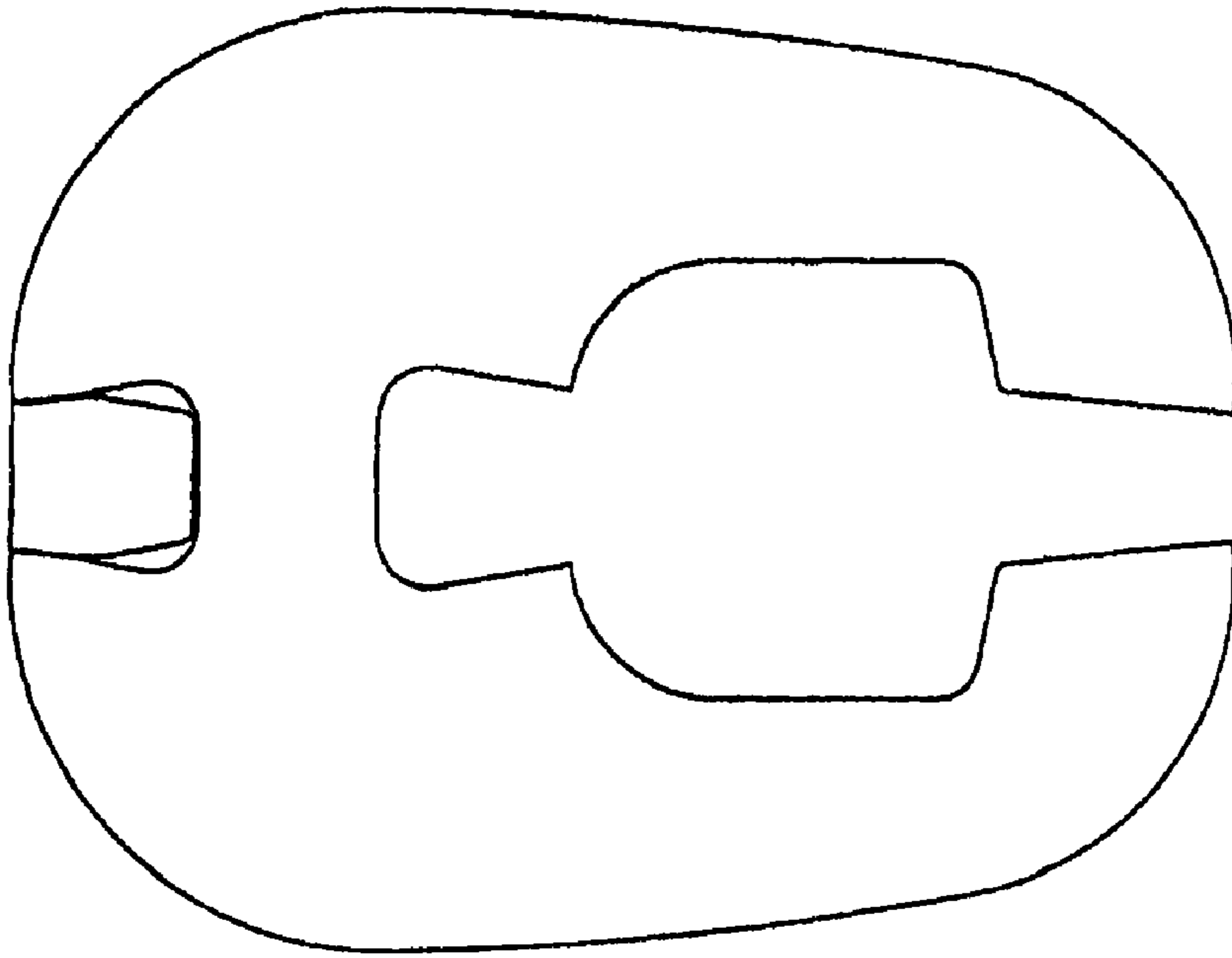


FIGURE 4