



US00D558690S

(12) **United States Design Patent** (10) **Patent No.:** **US D558,690 S**
Anderson, Jr. et al. (45) **Date of Patent:** **** Jan. 1, 2008**

(54) **ROCKER SWITCH**

(75) Inventors: **Arnold W. Anderson, Jr.**, Little Suamico, WI (US); **Paul William Garvey**, Kaukauna, WI (US); **Brian Joseph Lopez**, Hilbert, WI (US); **Ian Robert Marquardt**, DePere, WI (US); **Timothy Jon Peter**, Sherwood, WI (US)

(73) Assignee: **Ariens Company**, Brillion, WI (US)

(**) Term: **14 Years**

(21) Appl. No.: **29/257,899**

(22) Filed: **Apr. 12, 2006**

(51) **LOC (8) Cl.** **13-03**

(52) **U.S. Cl.** **D13/169**

(58) **Field of Classification Search** D13/169, D13/171, 170, 174; 174/57, 66; 200/1 B, 200/6 R, 433, 525, 553, 291-296, 315, 329, 200/332, 333, 335, 339
See application file for complete search history.

(56) **References Cited**

U.S. PATENT DOCUMENTS

D134,633 S *	12/1942	Krieger	D13/175
D311,727 S *	10/1990	Brandt	D13/174
5,753,874 A *	5/1998	Kossakowski	200/1 B
6,693,246 B1 *	2/2004	Rudolph et al.	200/1 B
6,914,202 B2 *	7/2005	Sugimoto et al.	200/1 B
D534,874 S *	1/2007	Potts	D13/169
2006/0163052 A1 *	7/2006	Ito	200/339

OTHER PUBLICATIONS

Carling Technologies, V-Series Contura Sealed Rocker Switches, Sales literature publicly available prior to Apr. 12, 2005, pp. 43-49, 55-57, and 69.

DNA Group, Inc., ARP Series, Sales literature publicly available prior to Apr. 12, 2005.

* cited by examiner

Primary Examiner—Selina Sikder

(74) *Attorney, Agent, or Firm*—Michael Best & Friedrich LLP

(57) **CLAIM**

We claim the ornamental design for a rocker switch, as shown and described.

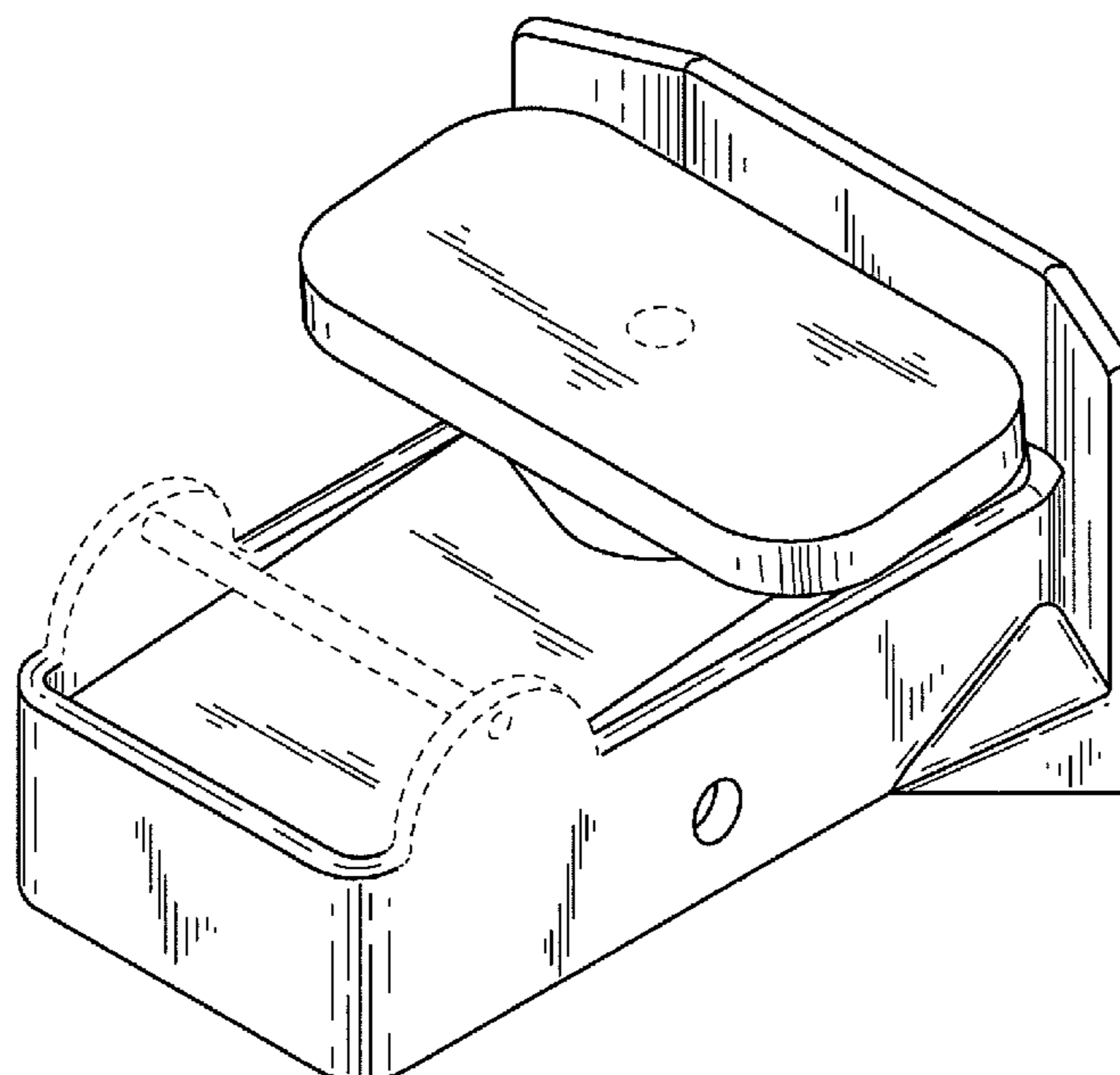
DESCRIPTION

FIG. 1 is a front perspective view of a rocker switch.
FIG. 2 is a top view of the rocker switch shown in FIG. 1.
FIG. 3 is a bottom view of the rocker switch shown in FIG. 1.
FIG. 4 is front view of the rocker switch shown in FIG. 1.
FIG. 5 is a rear view of the rocker switch shown in FIG. 1.
FIG. 6 is right side view of the rocker switch shown in FIG. 1; and,
FIG. 7 is a left side view of the rocker switch shown in FIG. 1.

The present application is directed to independent features of the shape and contour of the design illustrated in the drawings.

The broken lines represent unclaimed subject matter.

1 Claim, 4 Drawing Sheets



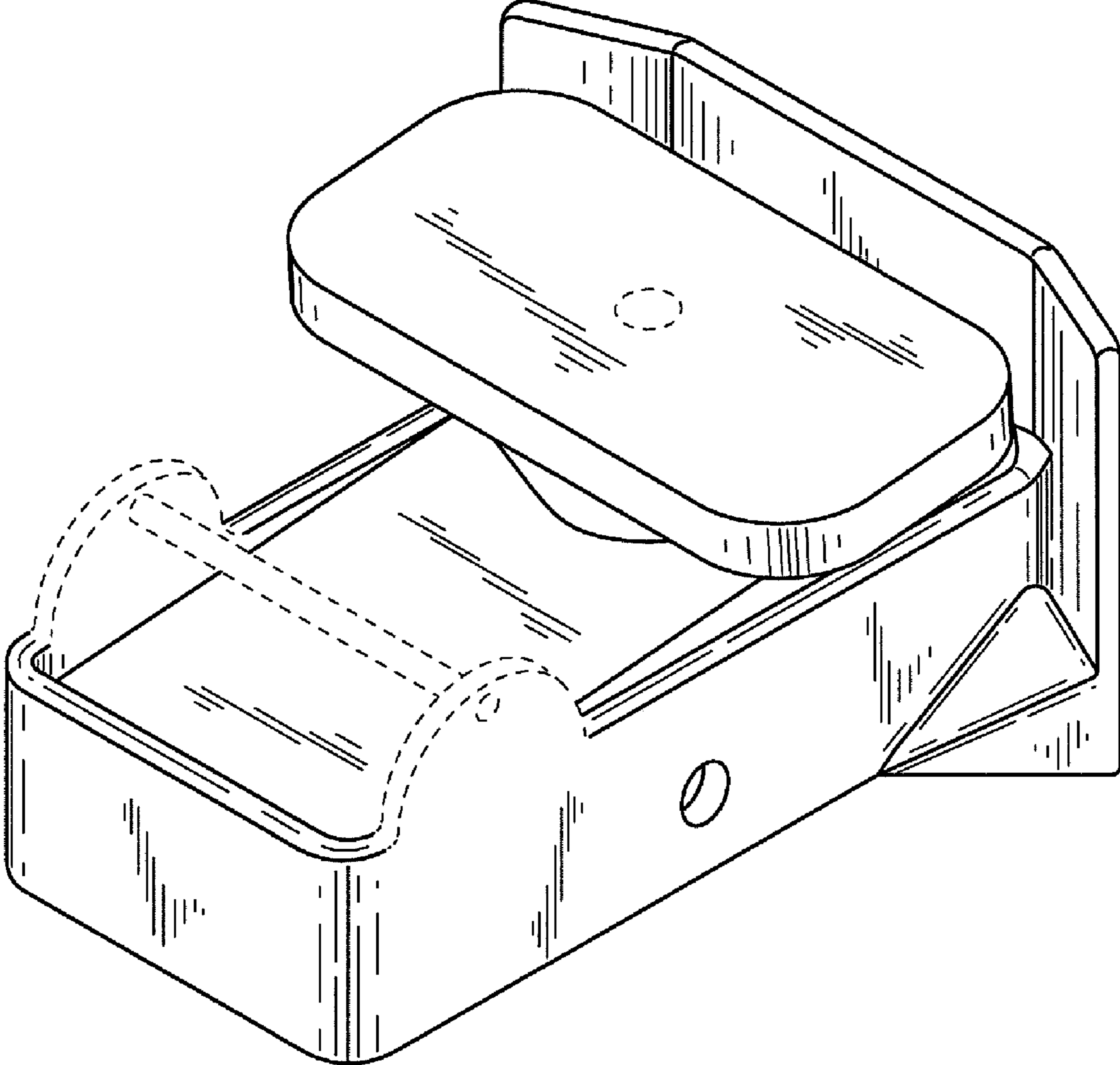


FIG. 1

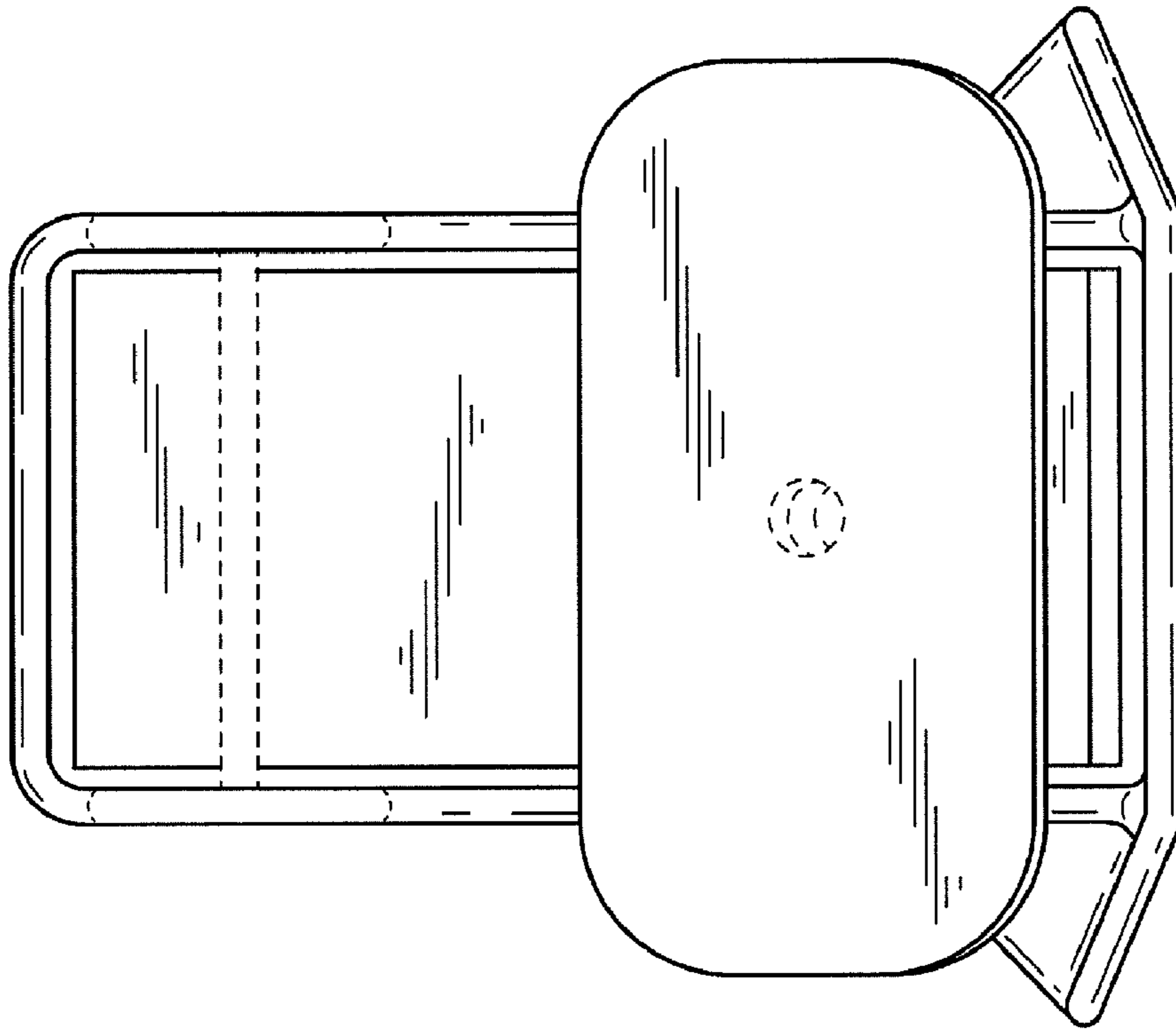


FIG. 2

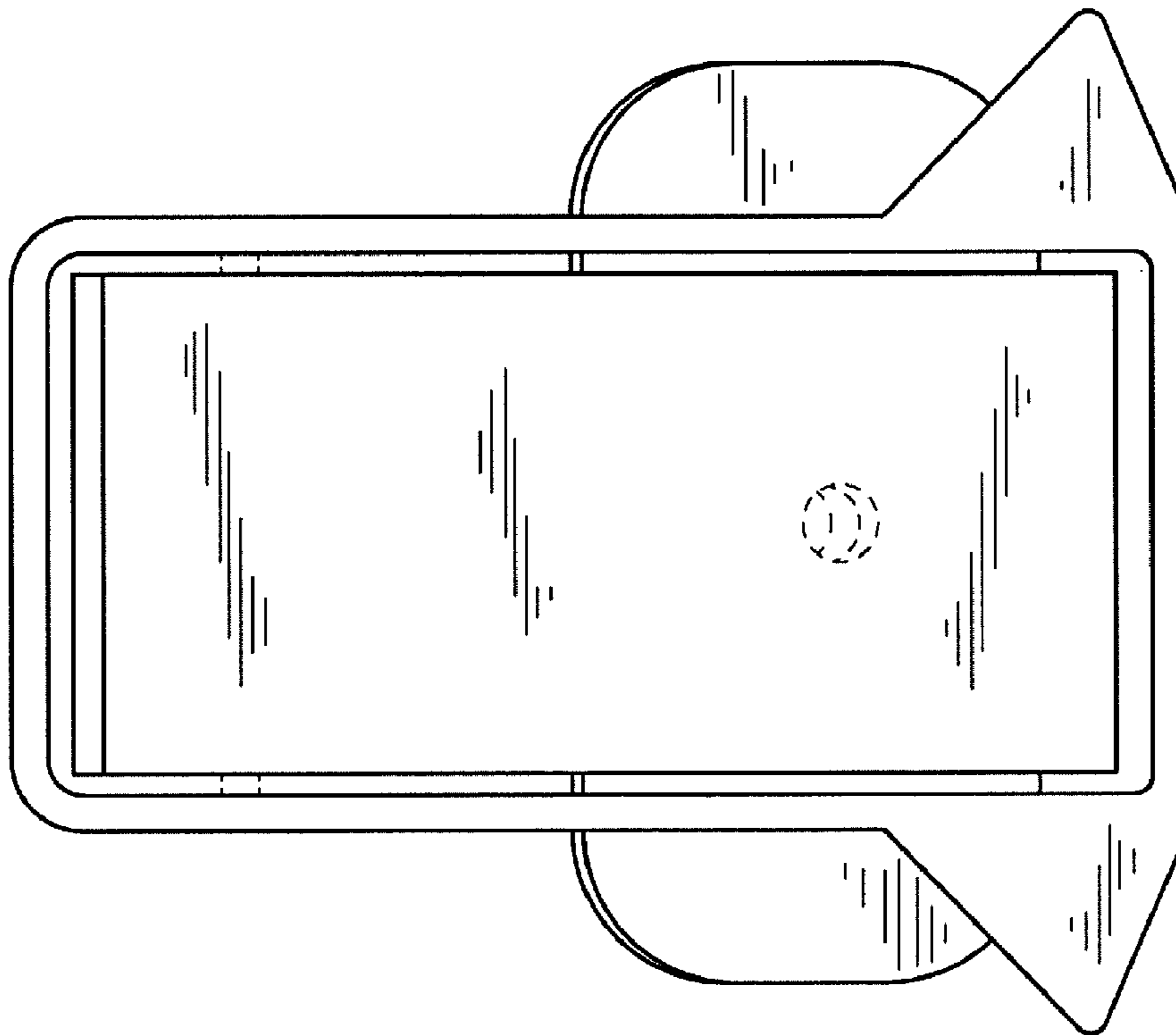


FIG. 3

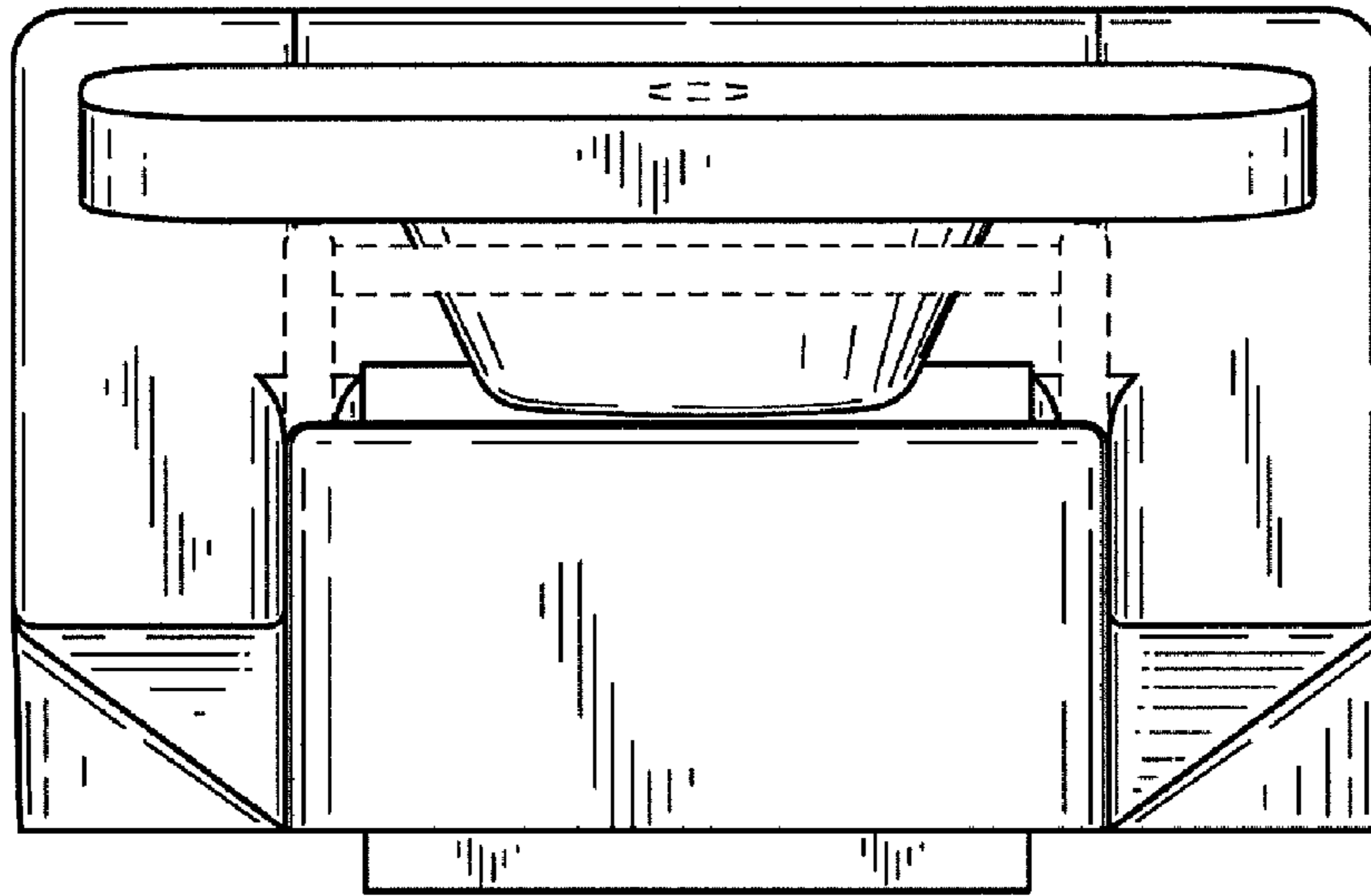


FIG. 4

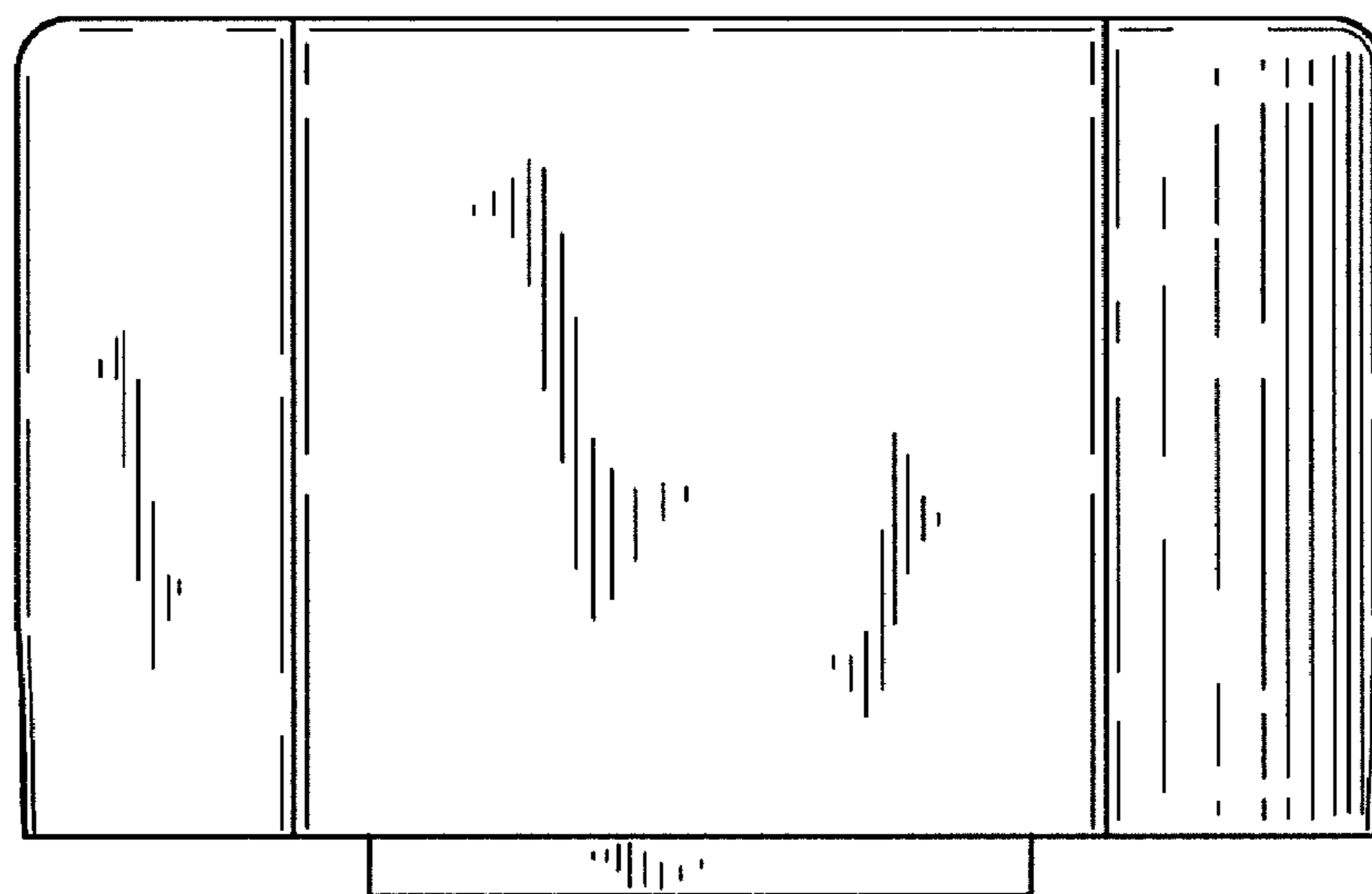


FIG. 5

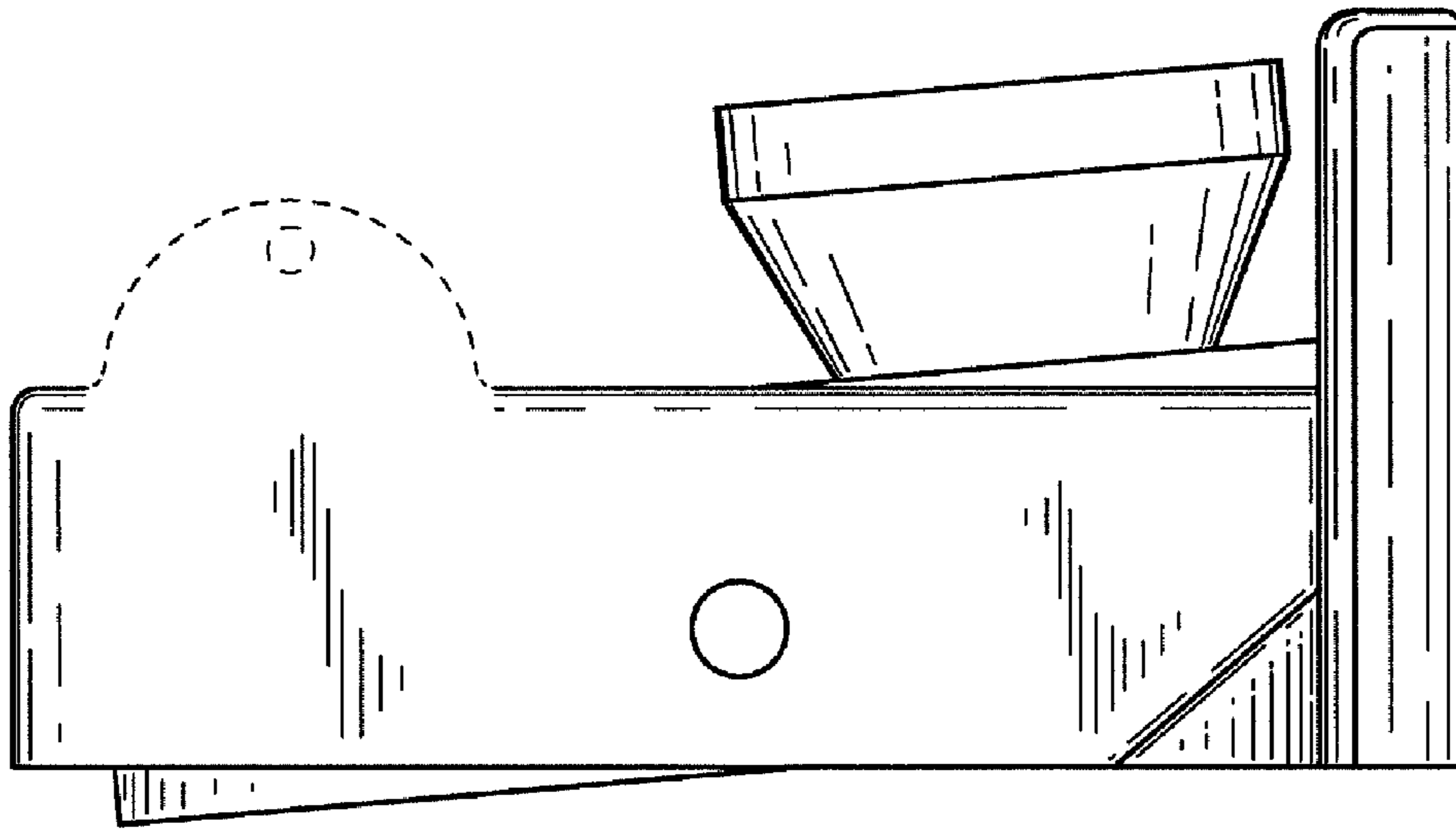


FIG. 6

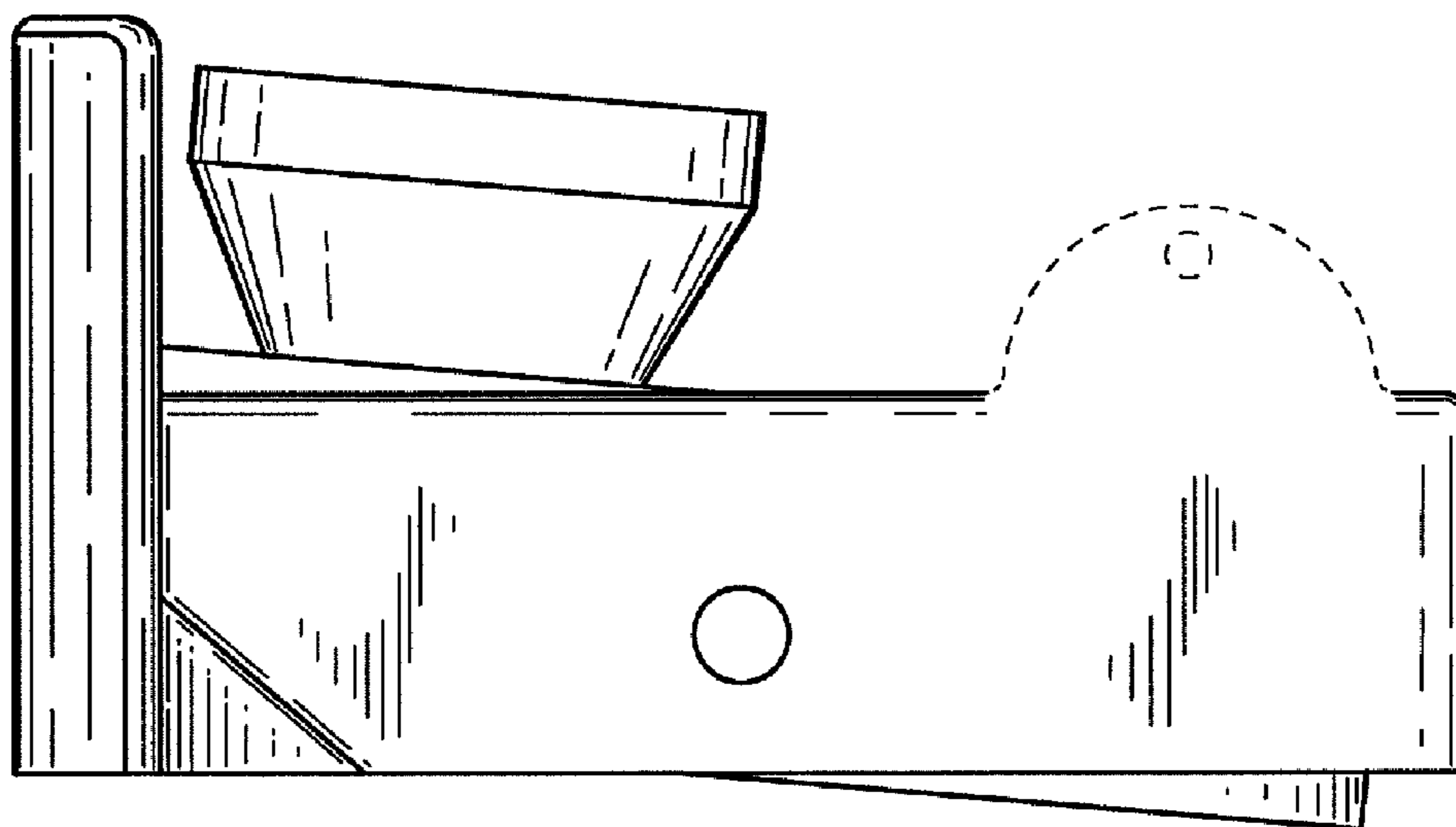


FIG. 7