



US00D558688S

(12) **United States Design Patent**
Koyama et al.

(10) **Patent No.:** **US D558,688 S**
(45) **Date of Patent:** **** Jan. 1, 2008**

(54) **SOLENOID VALVE CONTROL UNIT**

(75) Inventors: **Hiroyuki Koyama**, Ibaraki (JP);
Yoshinori Kodate, Ibaraki (JP); **Mitsuo Maruoka**, Ibaraki (JP)

(73) Assignee: **SMC Corporation**, Chiyoda-ku, Tokyo (JP)

(**) Term: **14 Years**

(21) Appl. No.: **29/229,897**

(22) Filed: **May 13, 2005**

(30) **Foreign Application Priority Data**

Nov. 24, 2004 (JP) 2004-035725

(51) **LOC (8) Cl.** **13-03**

(52) **U.S. Cl.** **D13/166**

(58) **Field of Classification Search** D13/158-184,
D13/199; 137/14, 15.21, 269, 596.16, 625.42,
137/625.6, 625.63, 625.65, 625.66; 251/129.02,
251/129.08, 129.11, 129.17
See application file for complete search history.

(56) **References Cited**

U.S. PATENT DOCUMENTS

3,540,480	A *	11/1970	Malinowski et al.	137/625.6
4,026,326	A *	5/1977	Wells et al.	137/625.66
5,868,157	A *	2/1999	Yoshimura et al.	137/269
6,053,472	A *	4/2000	DeLand 251/129.11	
6,109,291	A *	8/2000	Yoshimura 137/269	
6,109,300	A *	8/2000	Najmolhoda 137/596.16	
6,192,937	B1 *	2/2001	Fagerlie et al.	137/625.63
6,209,563	B1 *	4/2001	Seid et al.	137/15.21
6,223,761	B1 *	5/2001	Najmolhoda et al.	137/14
6,929,240	B2 *	8/2005	Ueda 251/129.02	

7,082,965	B2 *	8/2006	Holmes et al.	137/625.65
2005/0173664	A1 *	8/2005	Ogawa 251/129.08	
2005/0183783	A1 *	8/2005	Holmes et al.	137/625.65
2006/0054852	A1 *	3/2006	Kokubu et al.	251/129.17
2006/0081297	A1 *	4/2006	Miyazoe et al.	137/625.42
2006/0225797	A1 *	10/2006	Armiroli et al.	137/625.65

* cited by examiner

Primary Examiner—Selina Sikder

Assistant Examiner—Thomas J Johannes

(74) *Attorney, Agent, or Firm*—Peter Ganjian

(57) **CLAIM**

The ornamental design for a solenoid valve control unit, as shown and described.

DESCRIPTION

FIG. 1 is a front view of a solenoid valve control unit showing my new design;

FIG. 2 is a back view thereof;

FIG. 3 is a top view thereof;

FIG. 4 is a bottom view thereof;

FIG. 5 is a left side view thereof;

FIG. 6 is a right side view thereof;

FIG. 7 is a top view thereof showing an alternative condition of the invention;

FIG. 8 is a front view thereof showing environmental detail;

FIG. 9 is a top perspective view thereof; and,

FIG. 10 is a bottom perspective view thereof.

The broken lines illustrated in any of the figures illustrate environmental detail and form no part of the claimed design.

1 Claim, 6 Drawing Sheets

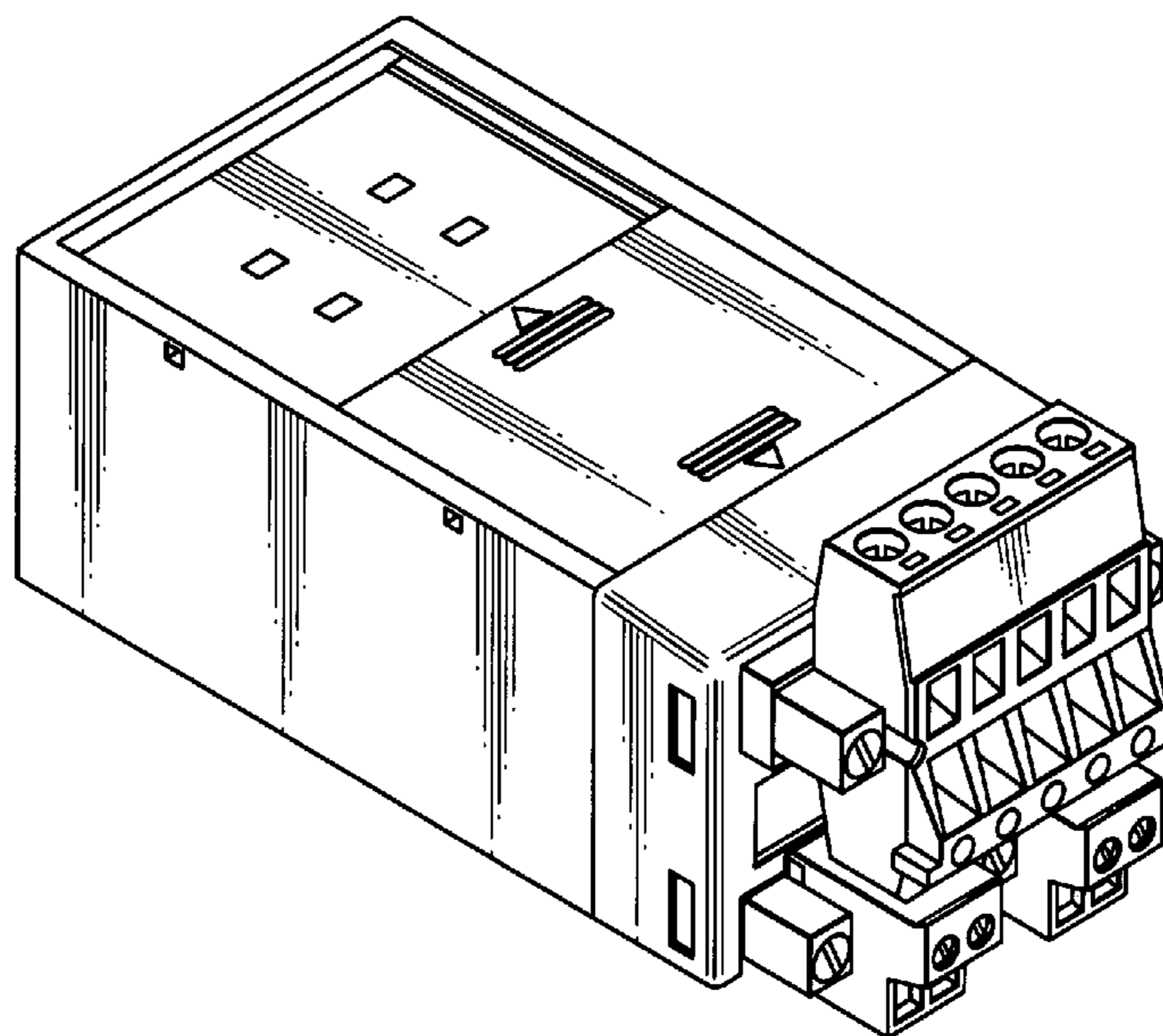


FIG. 1

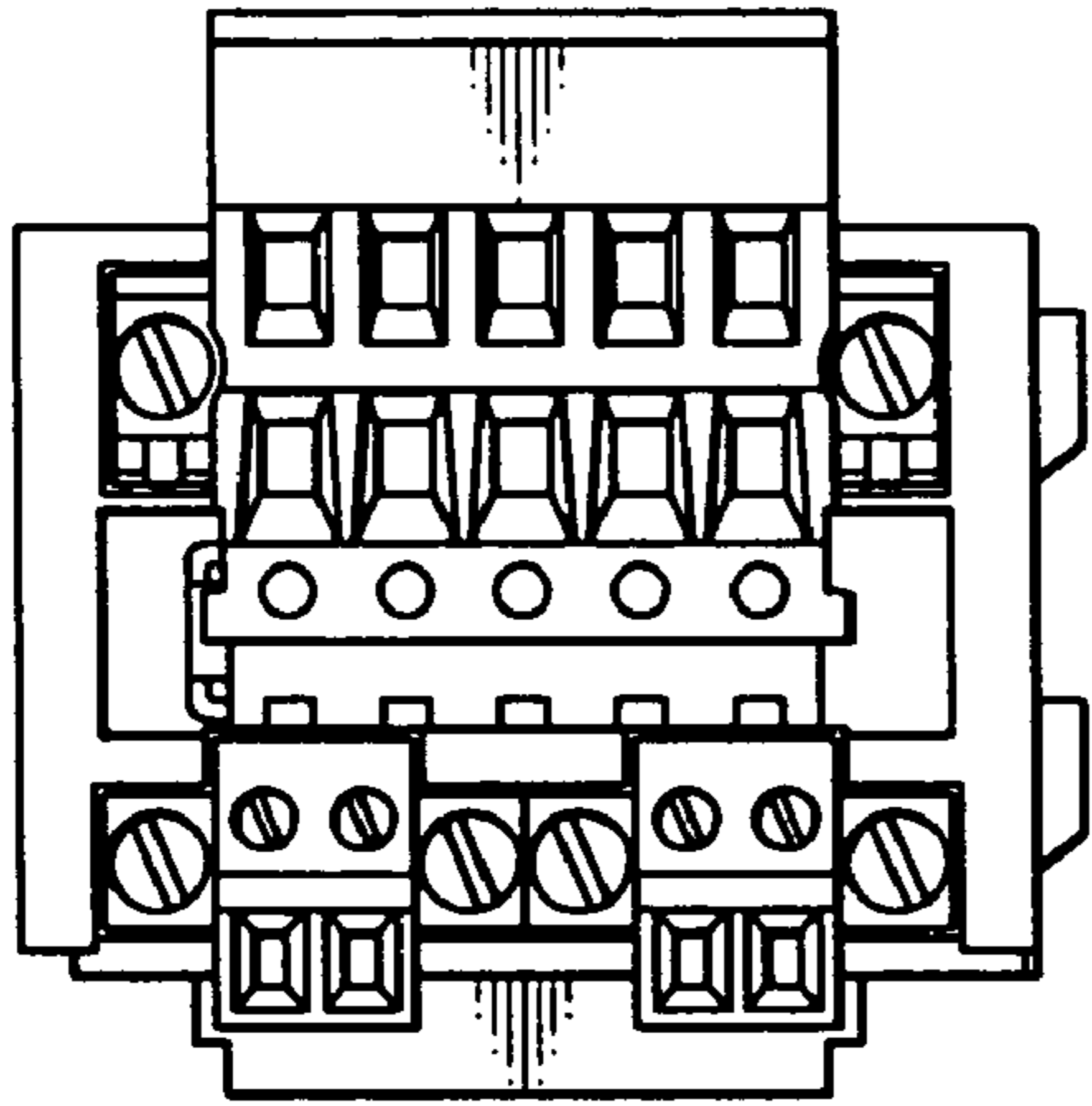


FIG. 2

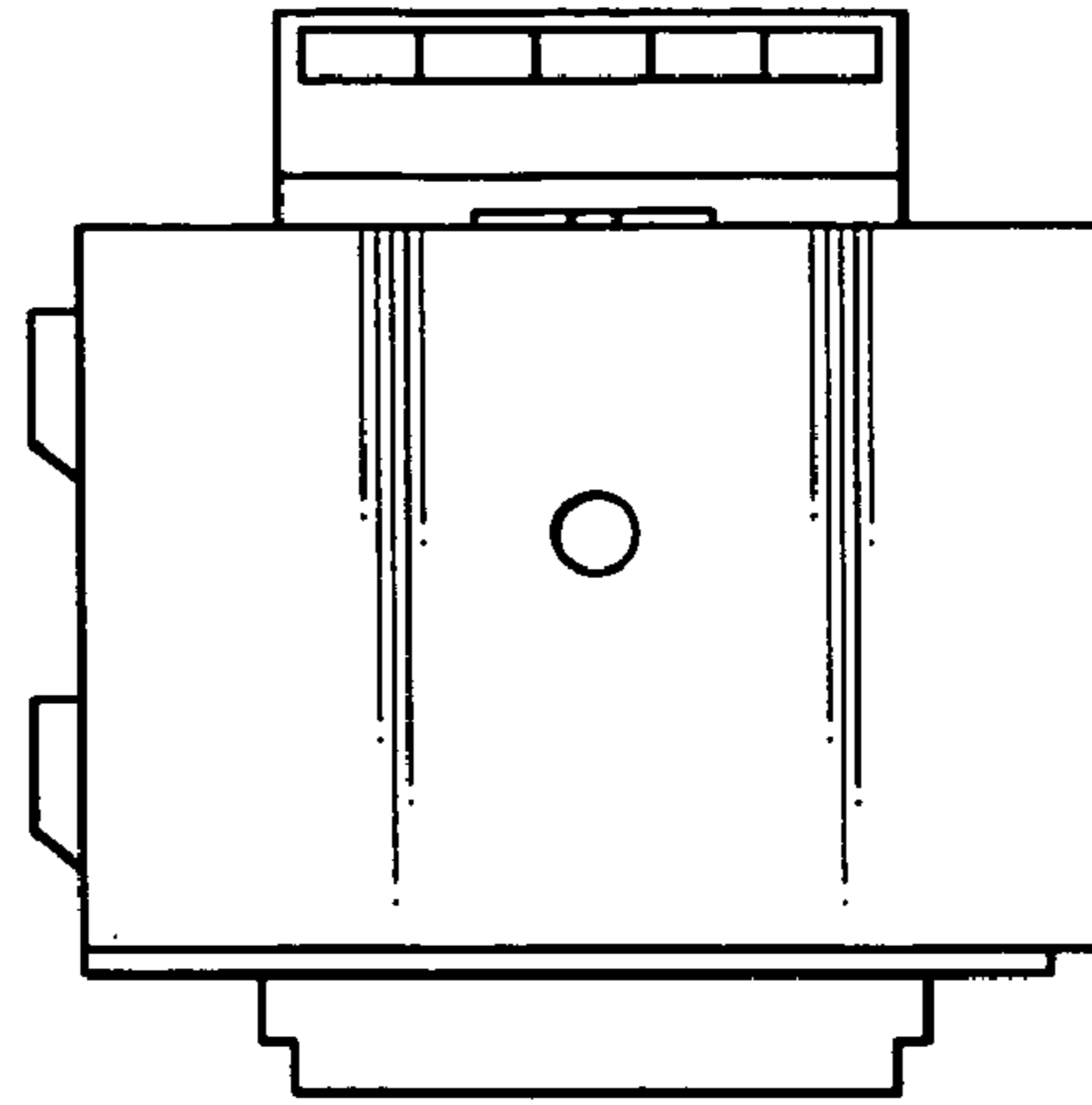


FIG. 3

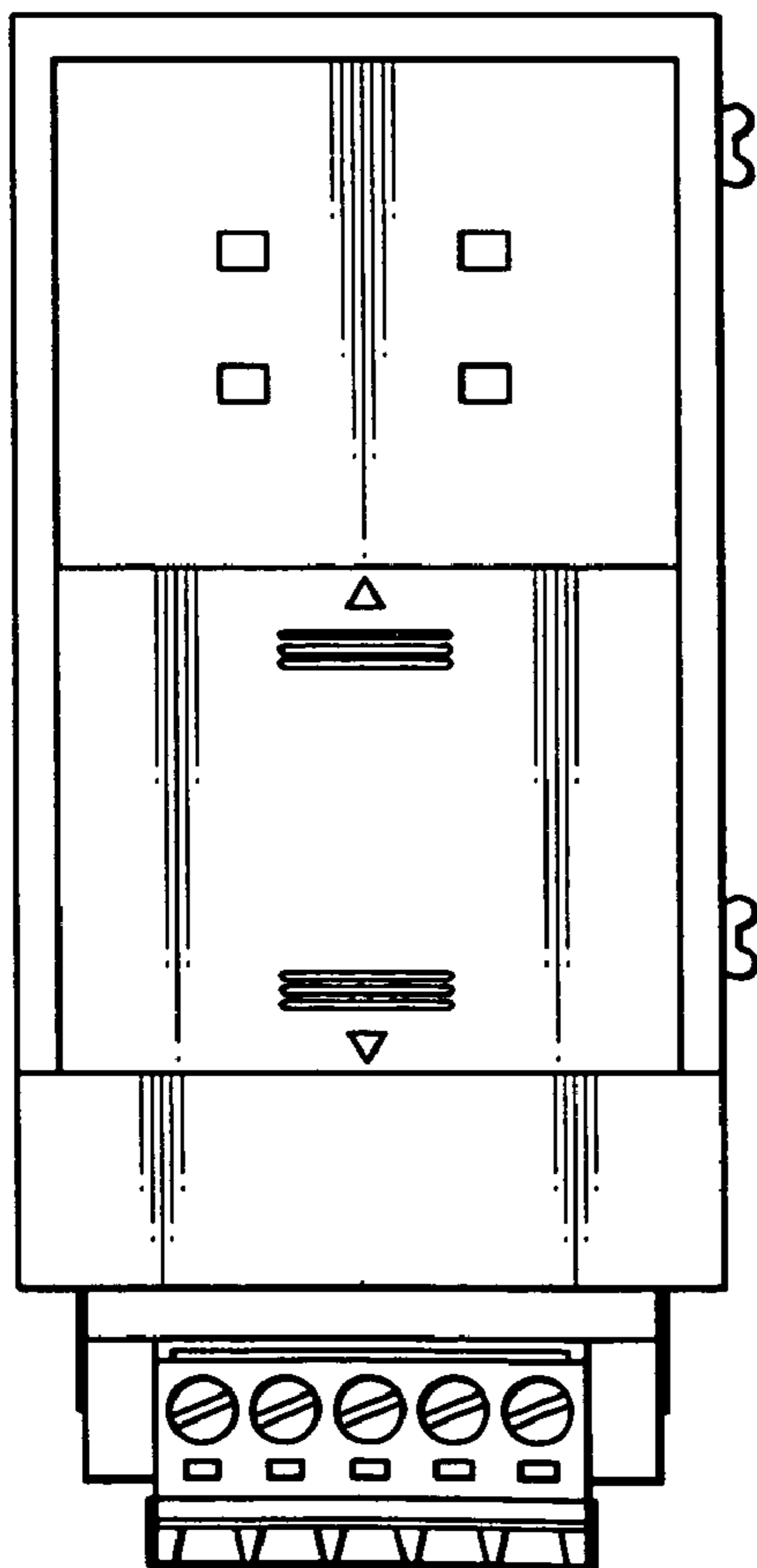


FIG. 4

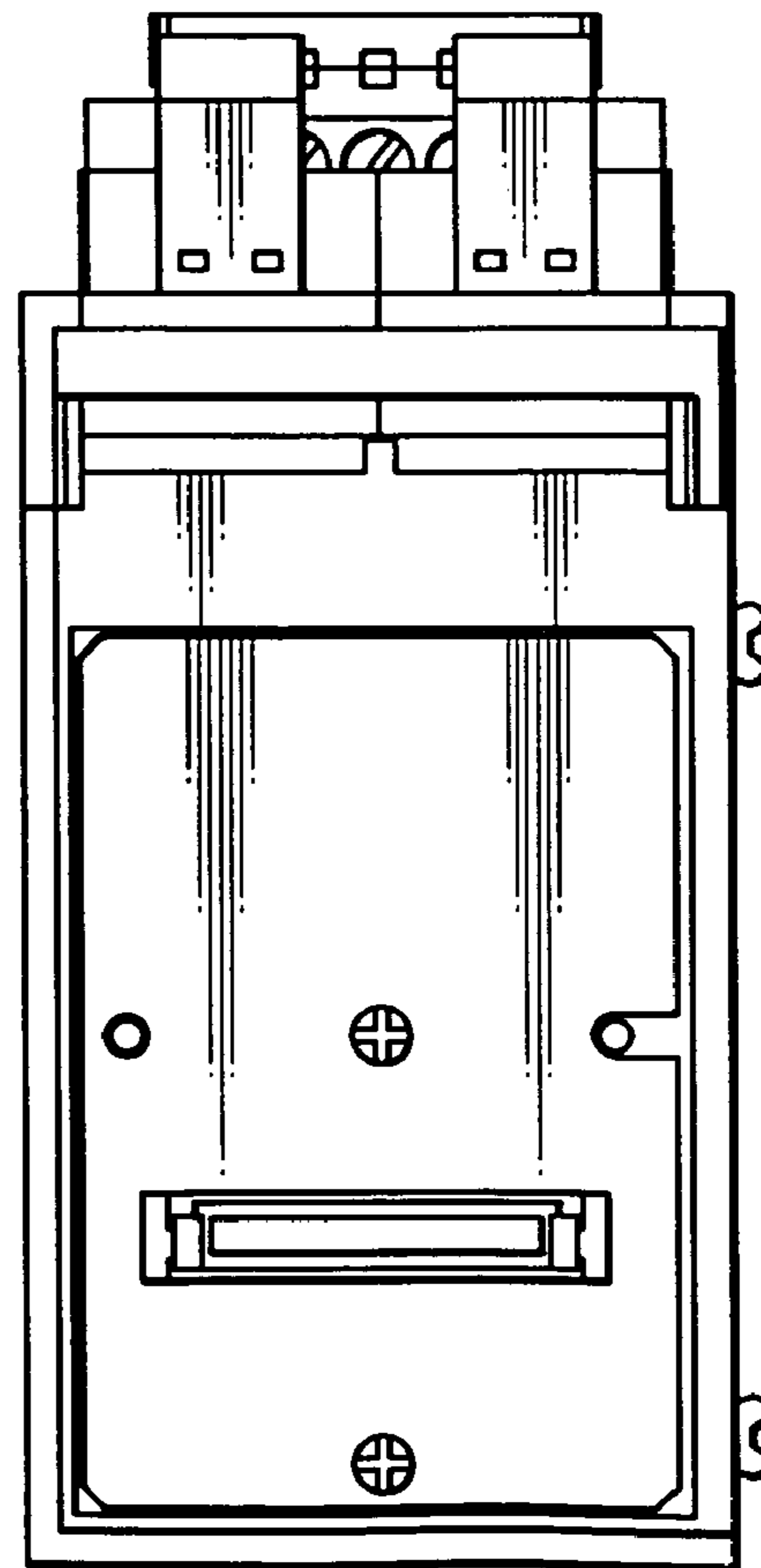


FIG. 5

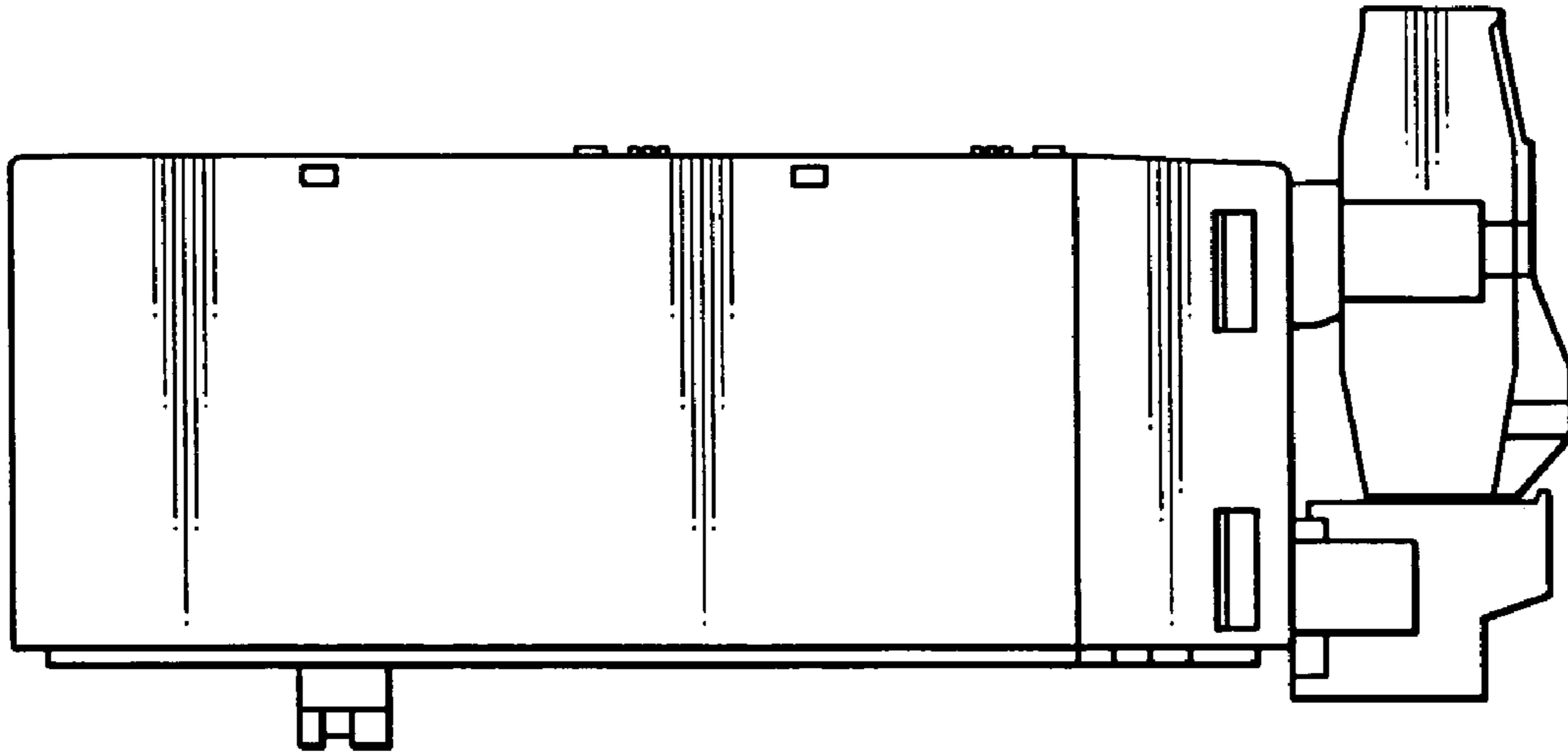


FIG. 6

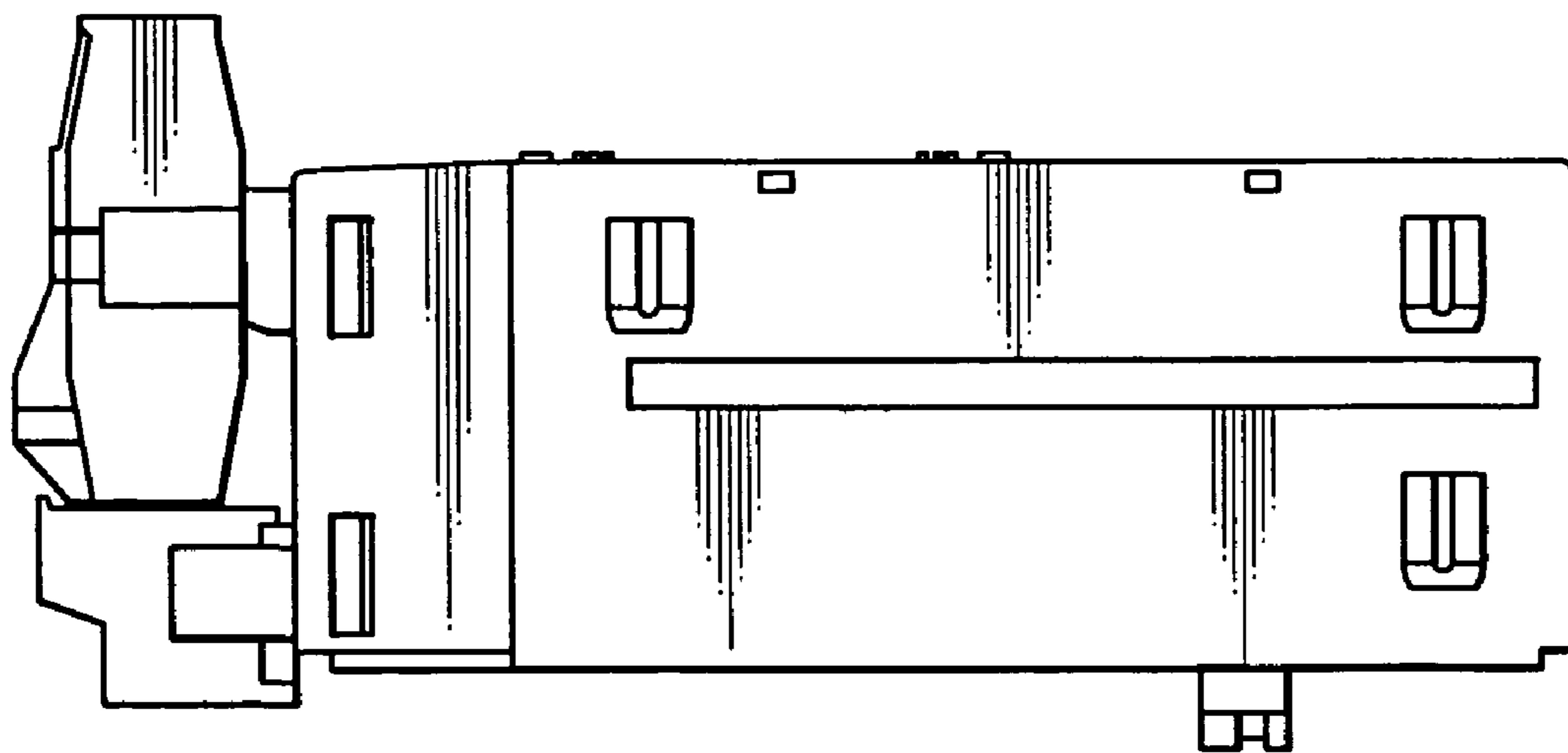


FIG. 7

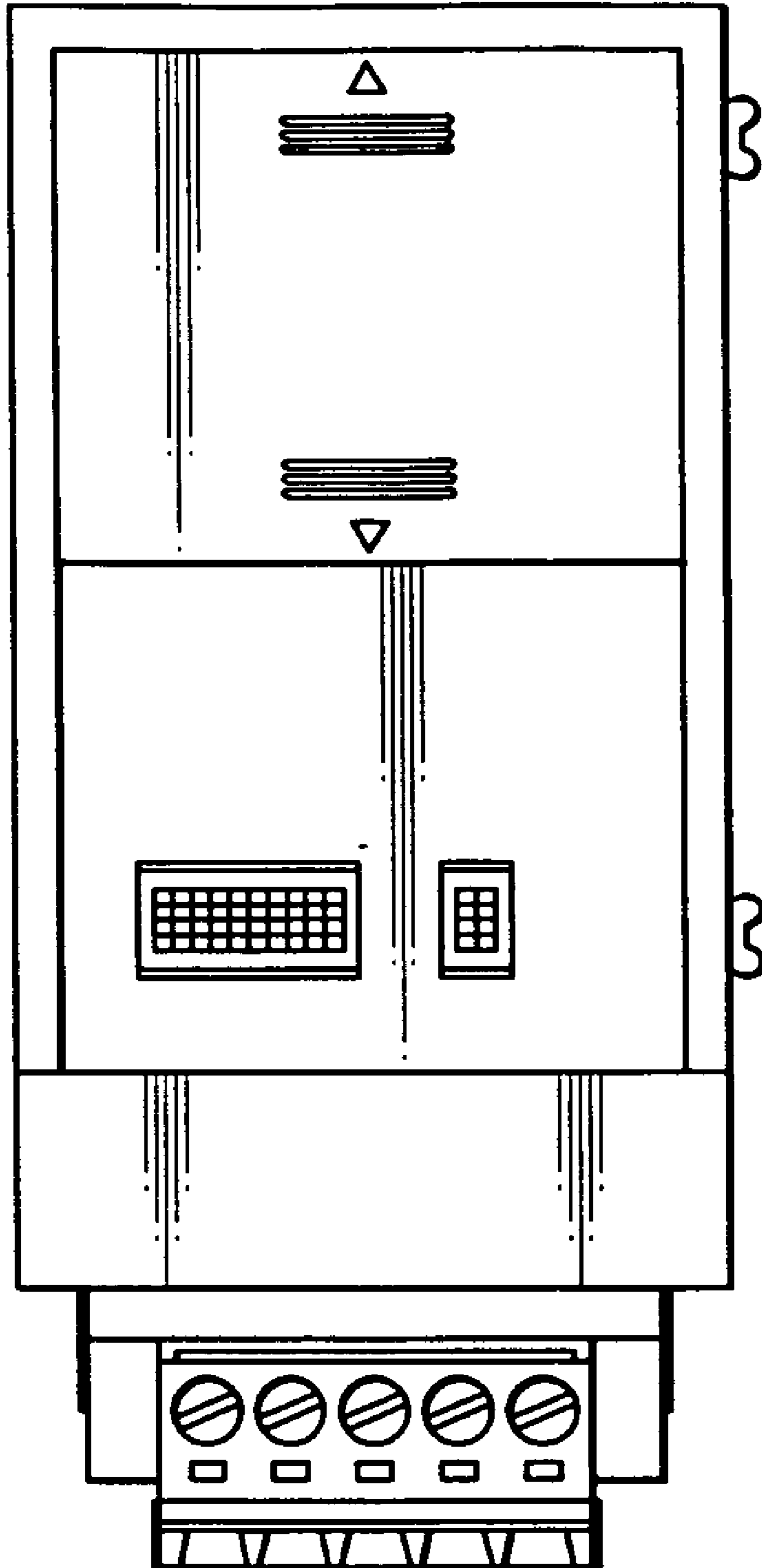


FIG. 8

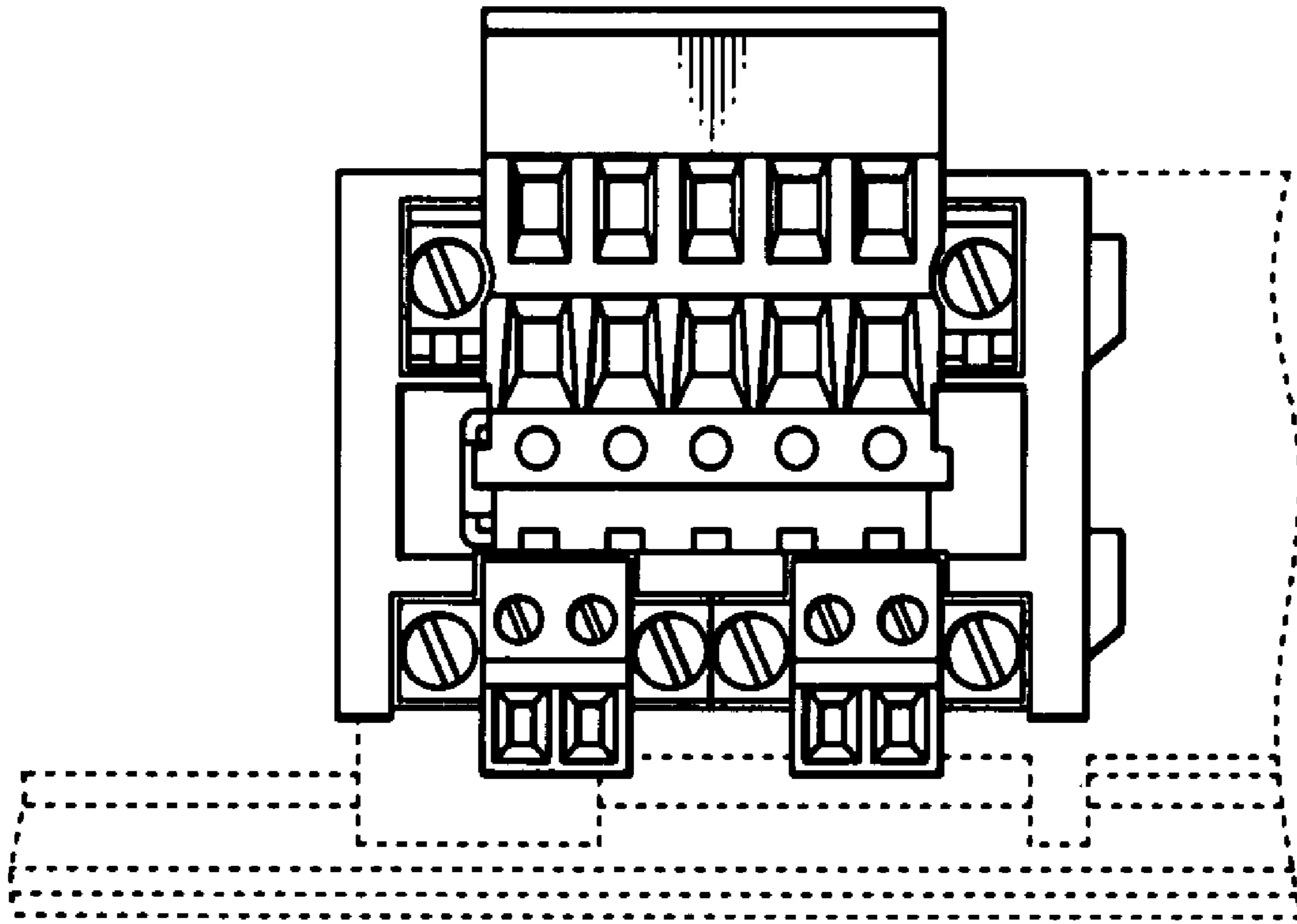


FIG. 9

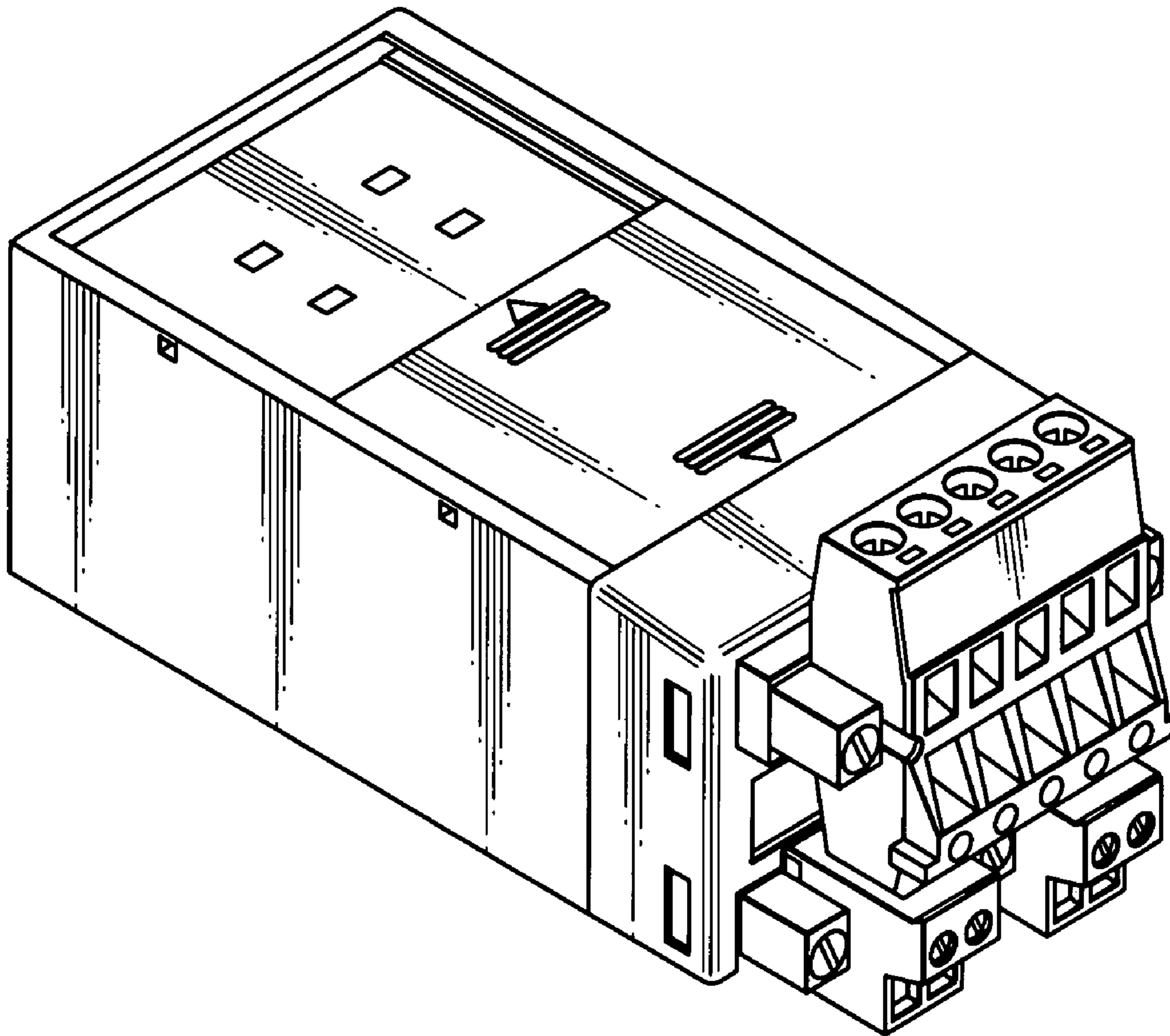


FIG. 10

