



US00D558685S

(12) **United States Design Patent**  
**Peterson**

(10) **Patent No.:** **US D558,685 S**  
(45) **Date of Patent:** **\*\* Jan. 1, 2008**

(54) **POWER CONTROLLER AND USER INTERFACE HOUSING**

(75) Inventor: **Kurt W. Peterson**, La Crosse, WI (US)

(73) Assignee: **Watlow Electric Manufacturing Company**, St. Louis, MO (US)

(\*\*) Term: **14 Years**

(21) Appl. No.: **29/252,953**

(22) Filed: **Jan. 31, 2006**

(51) **LOC (8) Cl.** ..... **13-03**

(52) **U.S. Cl.** ..... **D13/162**

(58) **Field of Classification Search** ..... D13/110,  
D13/123, 154, 159-164, 177, 184; D14/137,  
D14/441, 443; 361/690, 678, 647, 605; D16/237;  
D12/192; D10/46, 49, 50, 96, 106, 125  
See application file for complete search history.

(56) **References Cited**

**U.S. PATENT DOCUMENTS**

D315,315 S *	3/1991	Stairs, Jr. ....	D10/50
D343,165 S *	1/1994	Byar .....	D13/164
D351,861 S *	10/1994	Anderson et al. ....	D20/18
D371,123 S *	6/1996	Amundsen .....	D14/441
D380,737 S *	7/1997	Weir et al. ....	D13/162
D381,633 S *	7/1997	Hiyakumoto et al. ....	D13/162
D388,769 S *	1/1998	Pritchard et al. ....	D13/162
D400,181 S *	10/1998	Floyd .....	D13/162
D410,855 S *	6/1999	Gordon .....	D10/49
D429,699 S *	8/2000	Davis et al. ....	D13/162
D432,995 S *	10/2000	Hubler et al. ....	D13/162
D435,522 S *	12/2000	Ohlwine et al. ....	D13/162
D460,053 S *	7/2002	Choi .....	D13/168
D463,379 S *	9/2002	Graceffa et al. ....	D13/164
D464,328 S *	10/2002	Vasquez et al. ....	D13/164
D468,703 S *	1/2003	Schneider et al. ....	D13/162

D484,466 S *	12/2003	Ventress et al. ....	D13/162
D489,010 S *	4/2004	Stauffer .....	D10/49
D504,074 S *	4/2005	Tsujimura .....	D10/46
D513,497 S *	1/2006	Whitehouse .....	D13/162
D513,737 S *	1/2006	Riley .....	D13/164
D525,194 S *	7/2006	Nagai et al. ....	D13/110
D533,091 S *	12/2006	Garrett et al. ....	D10/50
D534,870 S *	1/2007	Metschen et al. ....	D13/162
D536,271 S *	2/2007	Moore .....	D10/50
D537,417 S *	2/2007	Dukerschein et al. ....	D13/164

\* cited by examiner

*Primary Examiner*—Selina Sikder

*Assistant Examiner*—Thomas J Johannes

(74) *Attorney, Agent, or Firm*—Brinks Hofer Gilson & Lione

(57) **CLAIM**

The ornamental design for a power controller and user interface housing, as shown and described.

**DESCRIPTION**

FIG. 1 is a top perspective view of the power controller and user interface housing showing my new design;

FIG. 2 is a top perspective view thereof;

FIG. 3 is a right side view thereof;

FIG. 4 is a back side view thereof;

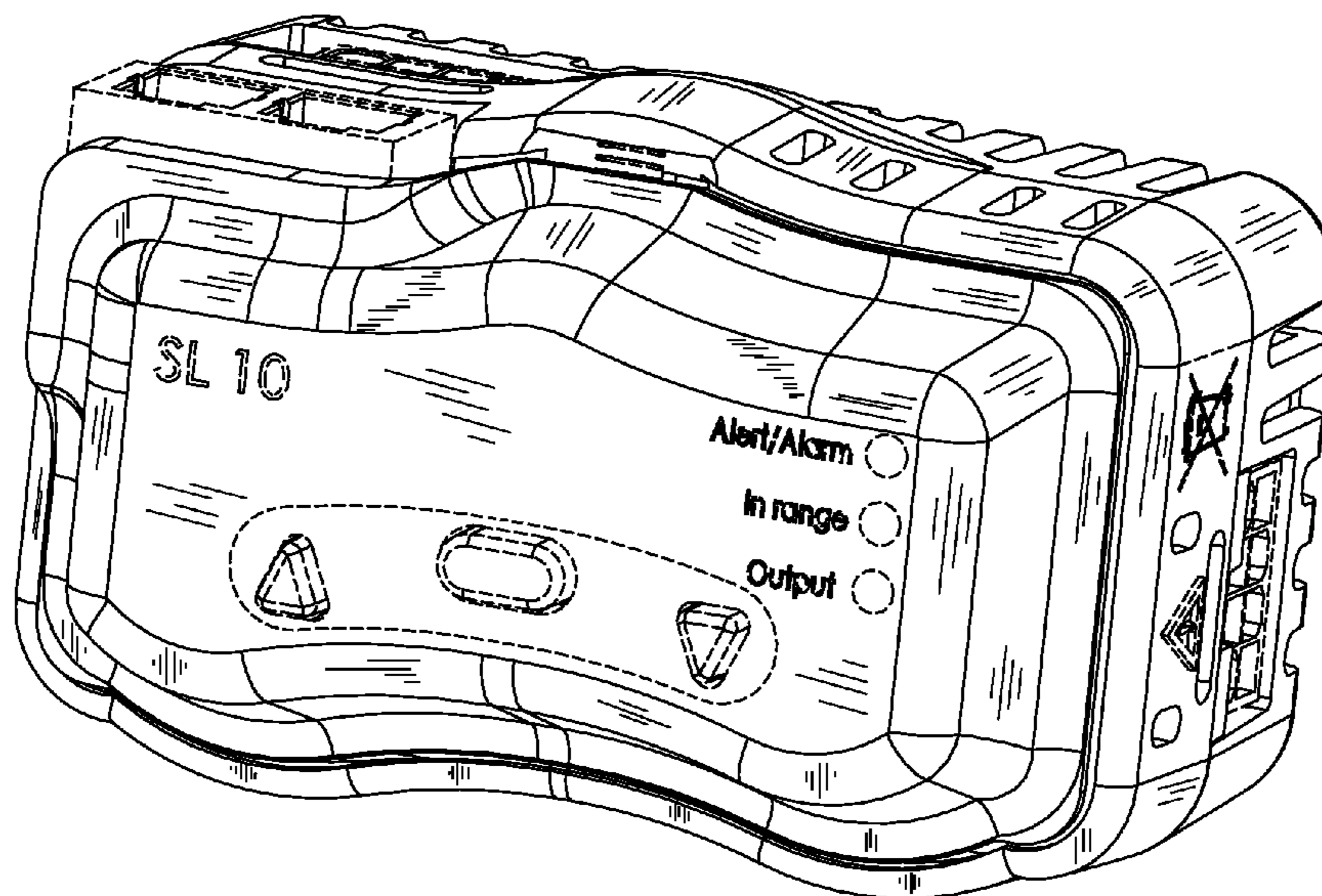
FIG. 5 is a left side view thereof;

FIG. 6 is a front side view thereof; and,

FIG. 7 is a bottom view thereof.

The broken lines are included for the purpose of illustrating environmental structure and form no part of the claimed design.

**1 Claim, 7 Drawing Sheets**



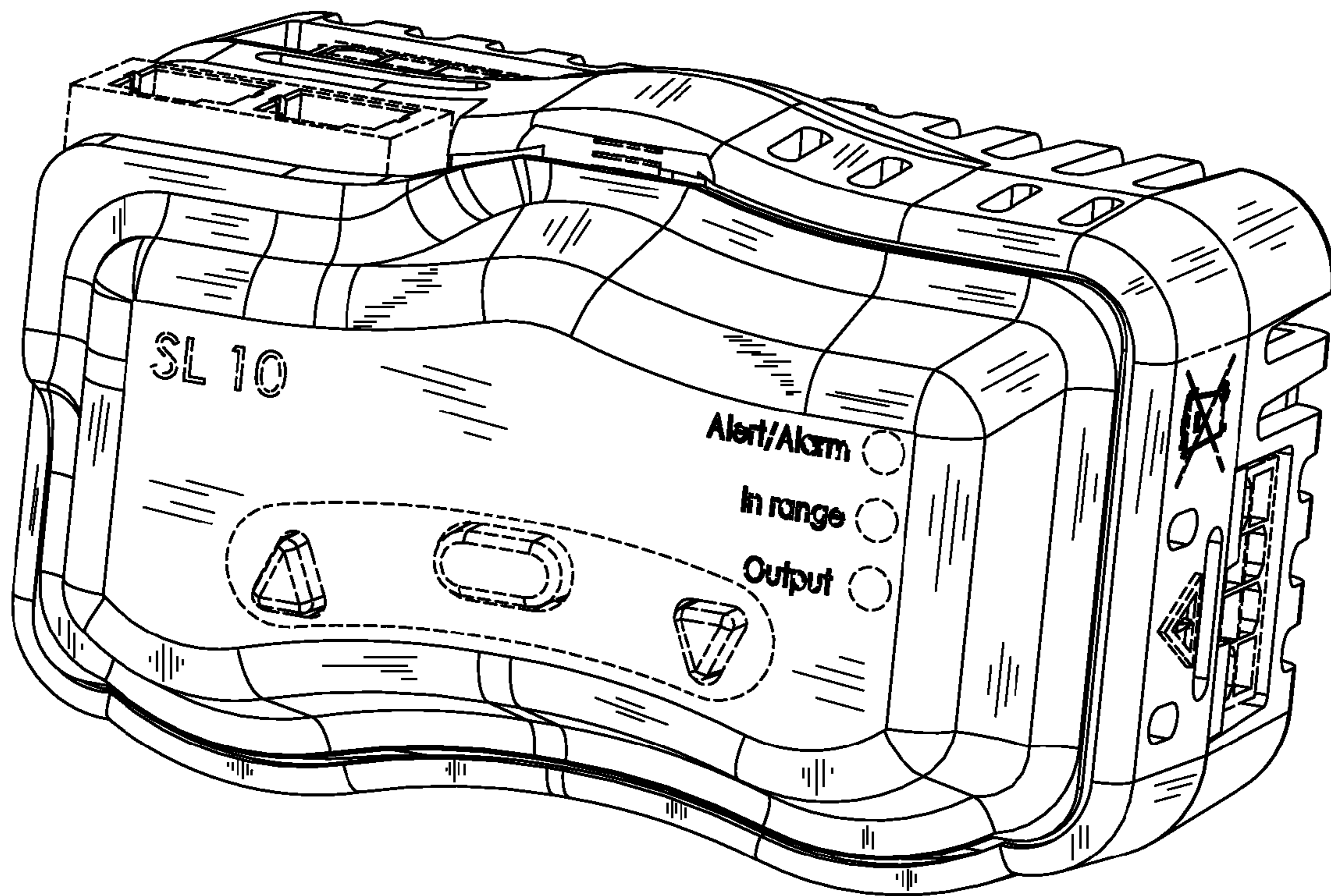


FIG. 1

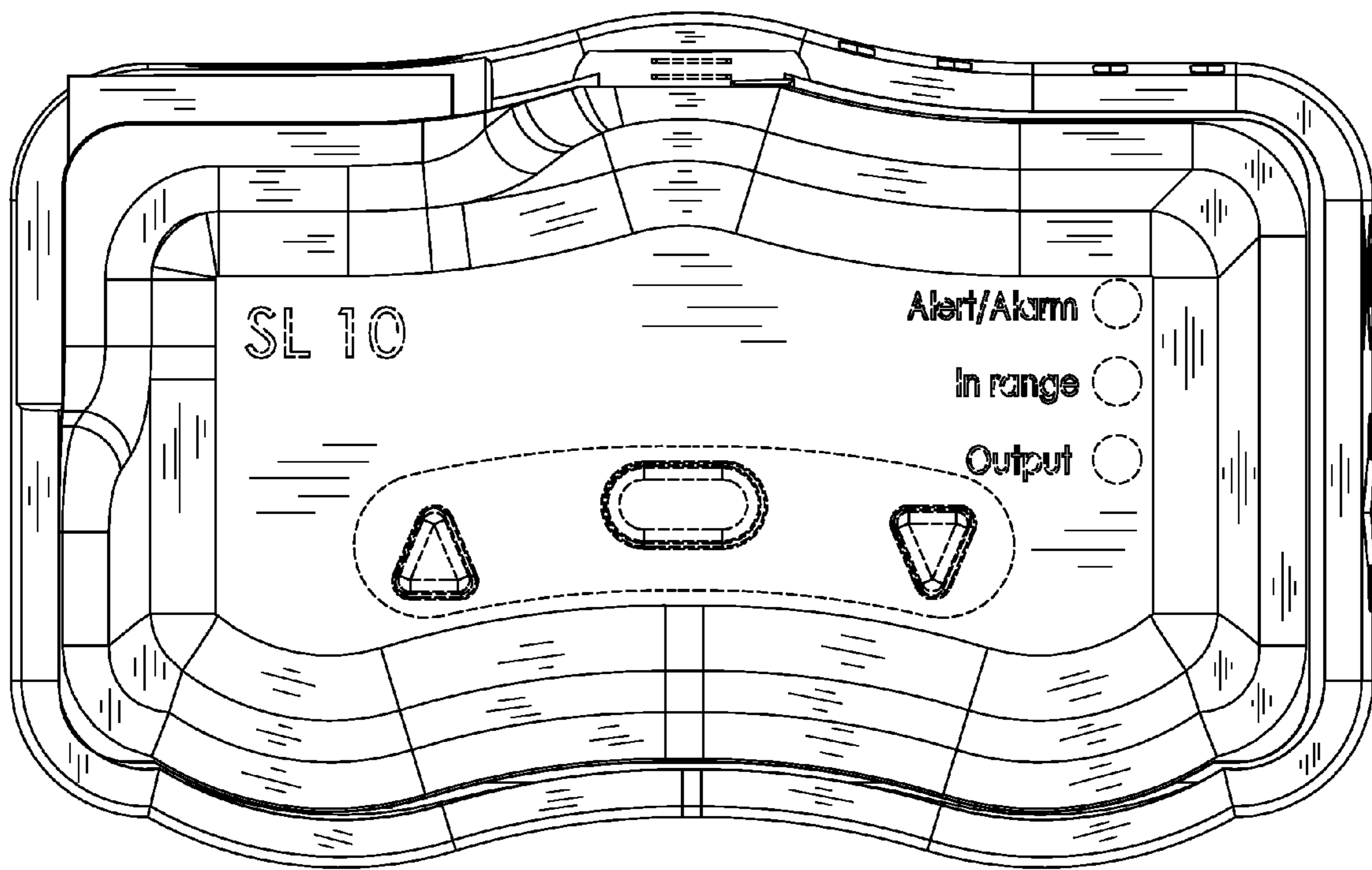


FIG. 2

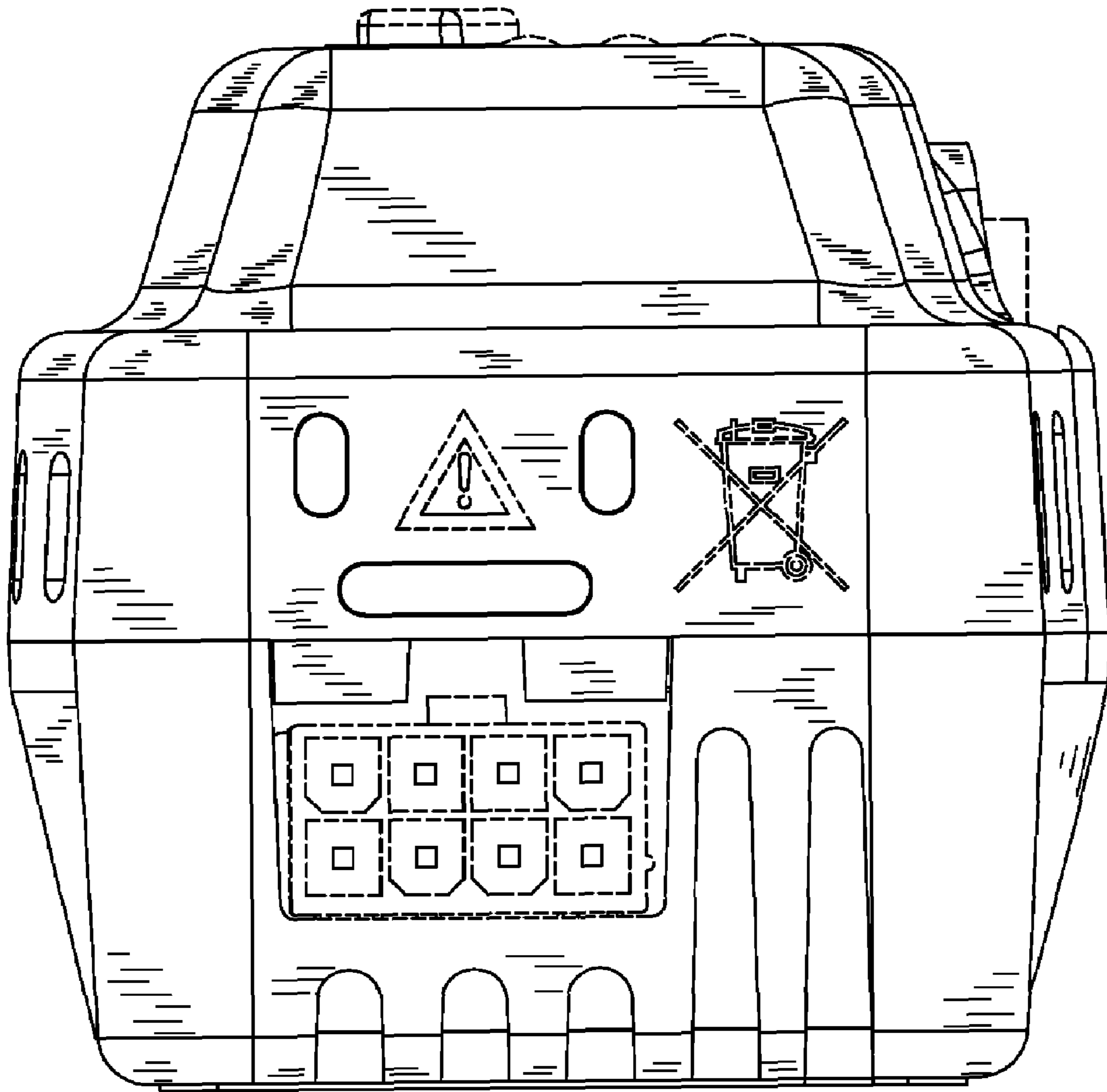


FIG. 3

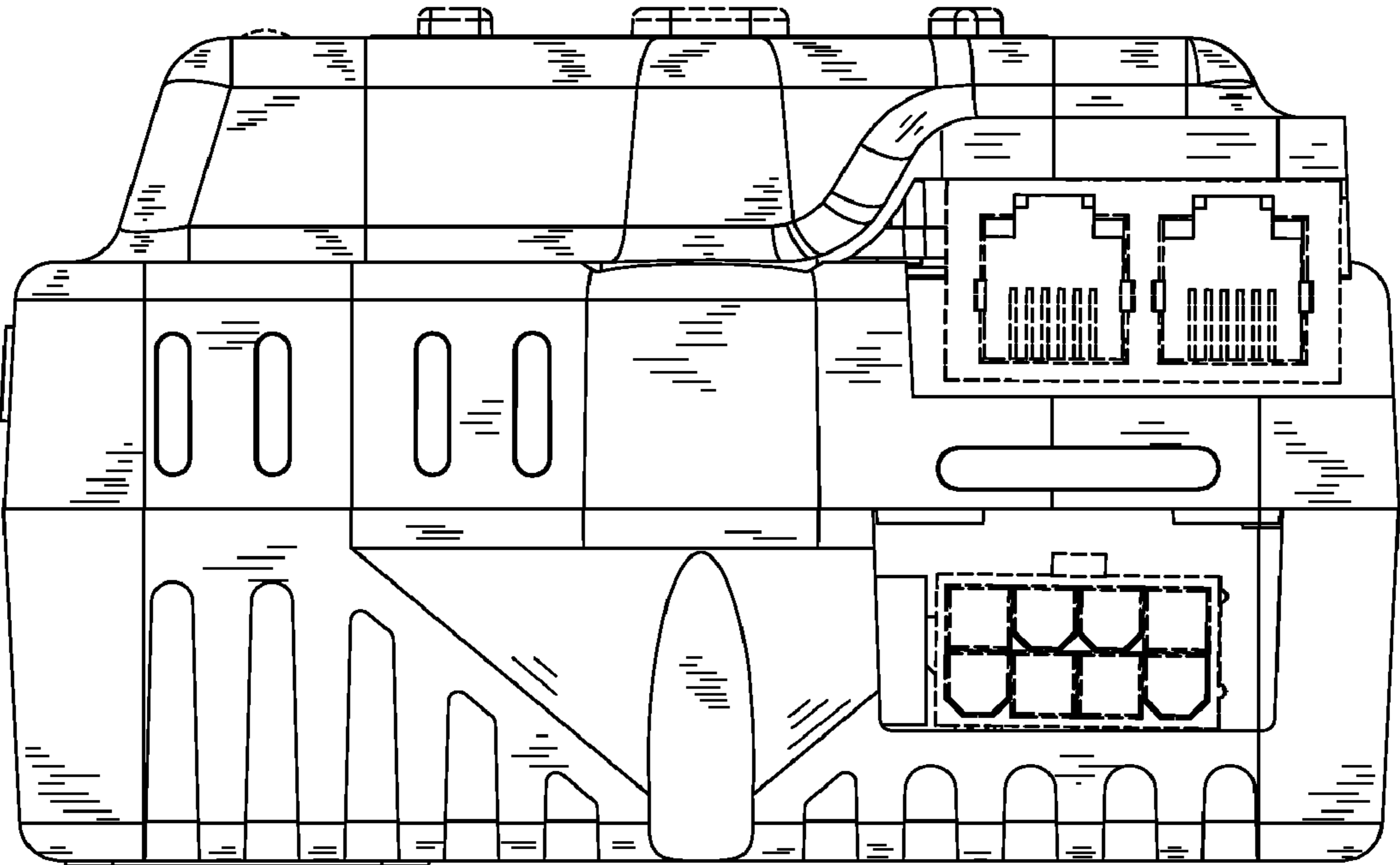


FIG. 4

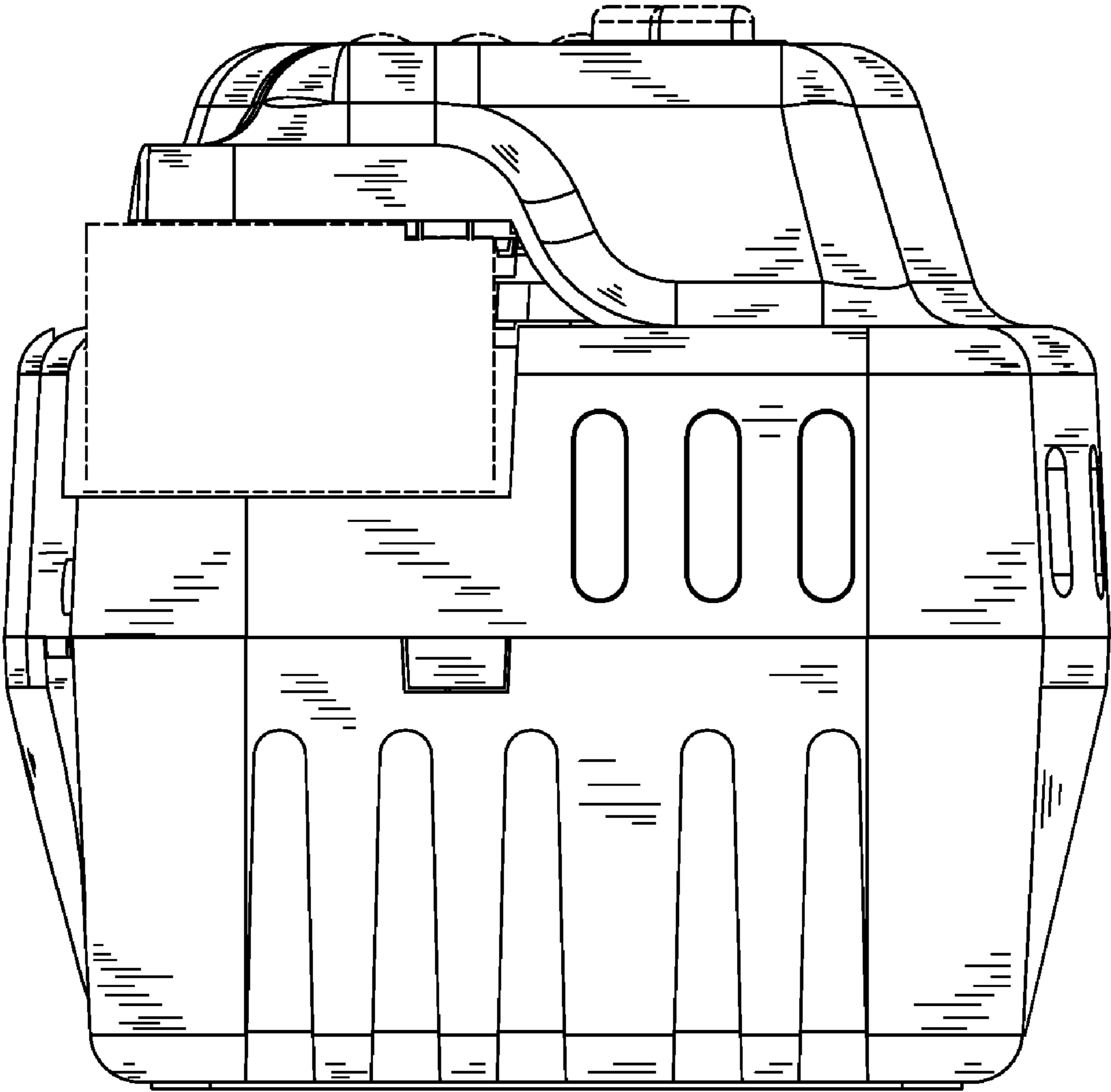


FIG. 5

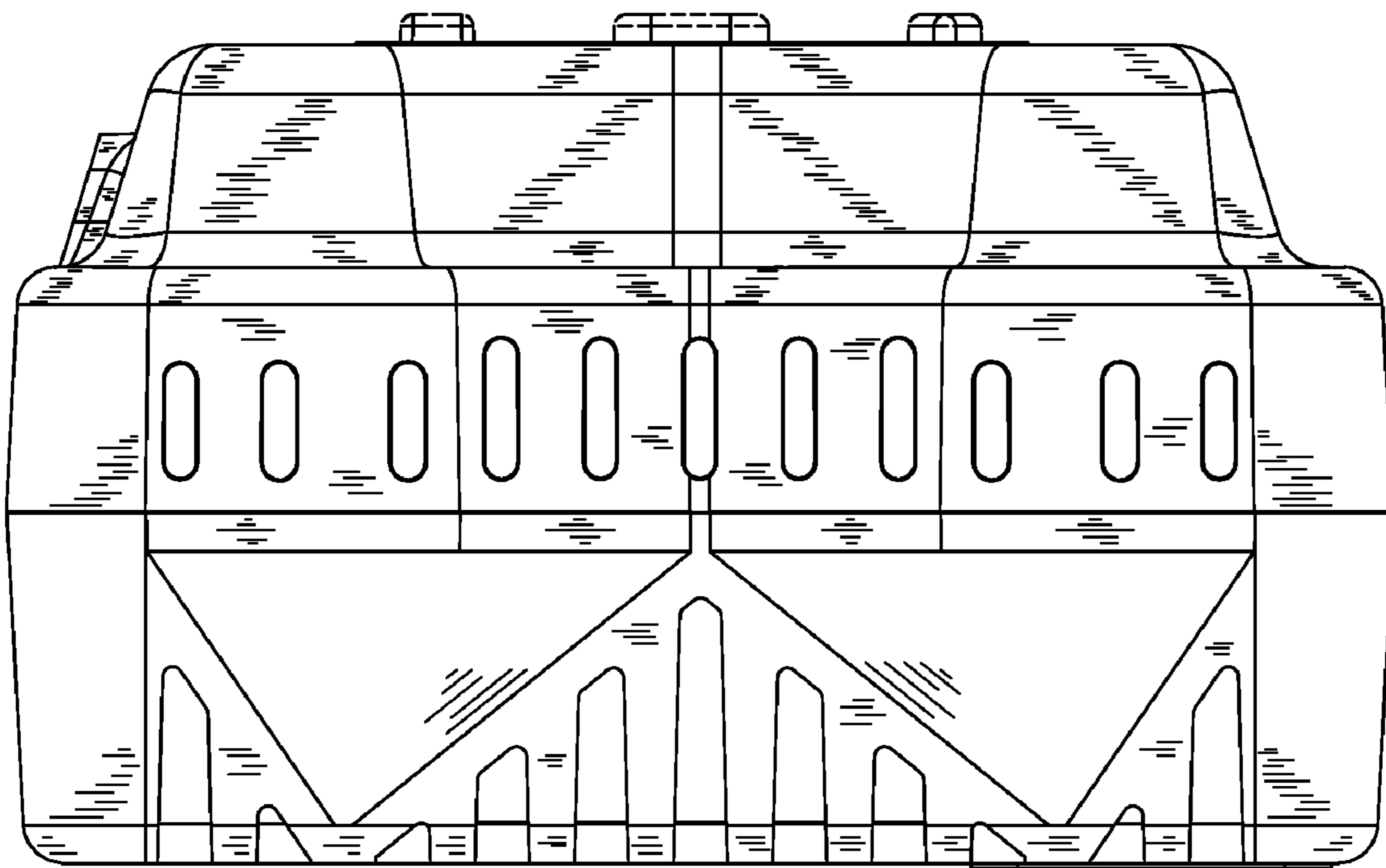


FIG. 6

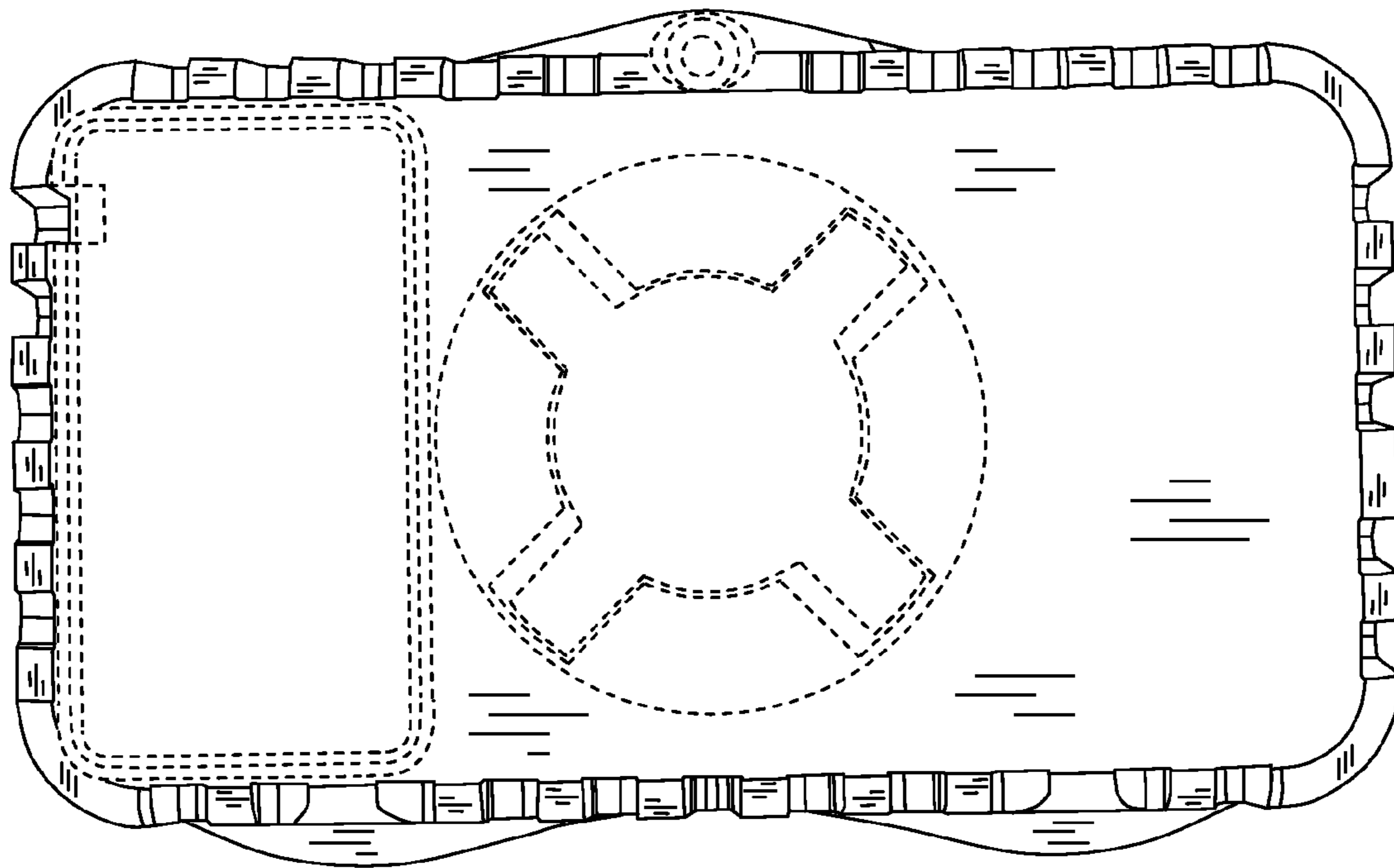


FIG. 7