



US00D558684S

(12) **United States Design Patent**
Dornauer et al.

(10) **Patent No.:** **US D558,684 S**
(45) **Date of Patent:** **** Jan. 1, 2008**

(54) **CONTROL PART OF AN ELECTRONIC DEVICE**

Primary Examiner—Selina Sikder
(74) *Attorney, Agent, or Firm*—Harness, Dickey & Pierce, P.L.C.

(75) Inventors: **Marco Dornauer**, Schwanstetten (DE); **Dirk Hertz**, Fichtenhof (DE); **Peter Kaluza**, Rieden (DE); **Alexander Müller**, Nürnberg (DE); **Diethard Runggaldier**, Stegaurach (DE)

(57) **CLAIM**

An ornamental design for a control part of an electronic device, as shown and described.

(73) Assignee: **Siemens Aktiengesellschaft**, Munich (DE)

DESCRIPTION

(**) Term: **14 Years**

FIG. 1 is a front elevational view of a first embodiment of a control part of an electronic device showing our new design;

(21) Appl. No.: **29/214,098**

FIG. 2 is a bottom view of the control part of FIG. 1.

(22) Filed: **Sep. 29, 2004**

FIG. 3 is a top plan view of the control part of FIG. 1.

(30) **Foreign Application Priority Data**

FIG. 4 is a right side elevational view of the control part of FIG. 1.

Mar. 29, 2004 (DE) 4 04 02 060

FIG. 5 is a left side elevational view of the control part of FIG. 1.

(51) **LOC (8) Cl.** **13-03**

(52) **U.S. Cl.** **D13/162**

(58) **Field of Classification Search** D13/113,
D13/162, 164, 170, 171, 184; 318/434, 455,
318/727, 778; 340/5.62; 361/23, 600, 605,
361/614, 627

FIG. 6 is a perspective view of the front, right and top sides of the control part of FIG. 1.

See application file for complete search history.

FIG. 7 is a front elevational view of a second embodiment of a control part of an electronic device showing our new design;

(56) **References Cited**

U.S. PATENT DOCUMENTS

4,305,114	A *	12/1981	Takagi et al.	361/614
4,908,734	A *	3/1990	Fujioka	361/703
5,657,193	A *	8/1997	Purkayastha	361/23
5,666,268	A *	9/1997	Rix et al.	361/692
5,835,993	A *	11/1998	Renau	318/778
5,870,278	A *	2/1999	Girard et al.	361/627
6,087,800	A *	7/2000	Becker et al.	318/778
6,580,354	B1 *	6/2003	Schweiger et al.	340/5.62
D508,467	S *	8/2005	Decosse	D13/162
7,012,800	B2 *	3/2006	Busch et al.	361/605

FIG. 8 is a bottom view of the control part of FIG. 7.

FIG. 9 is a top plan view of the control part of FIG. 7.

FIG. 10 is a right side elevational view of the control part of FIG. 7.

FIG. 11 is a left side elevational view of the control part of FIG. 7; and,

FIG. 12 is a perspective view of the front, right and top sides of the control part of FIG. 7.

In FIGS. 1–12, the rear surface of the control part, which does not constitute an integral part of the claimed design, is not illustrated.

* cited by examiner

1 Claim, 12 Drawing Sheets

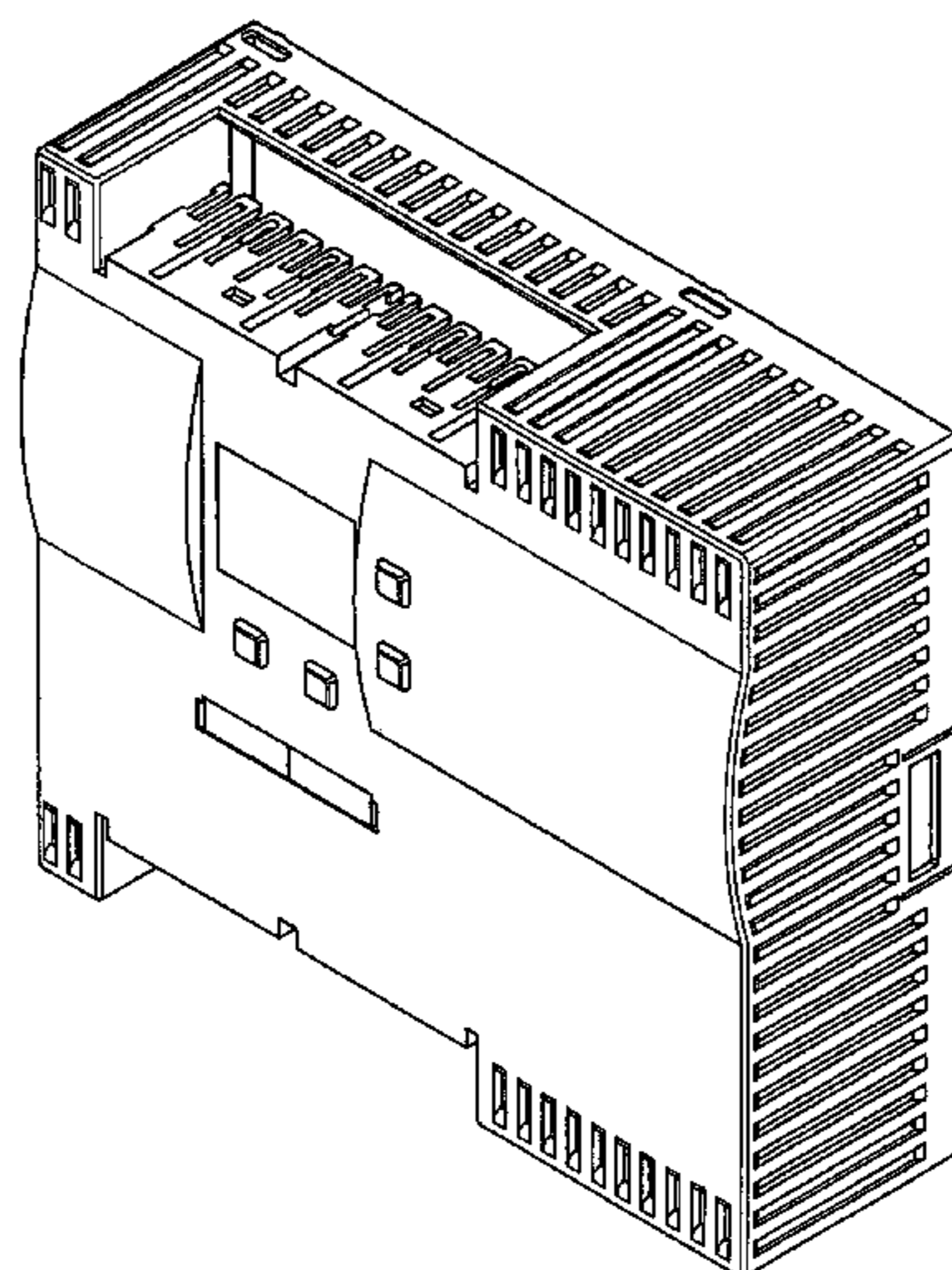


FIG. 1

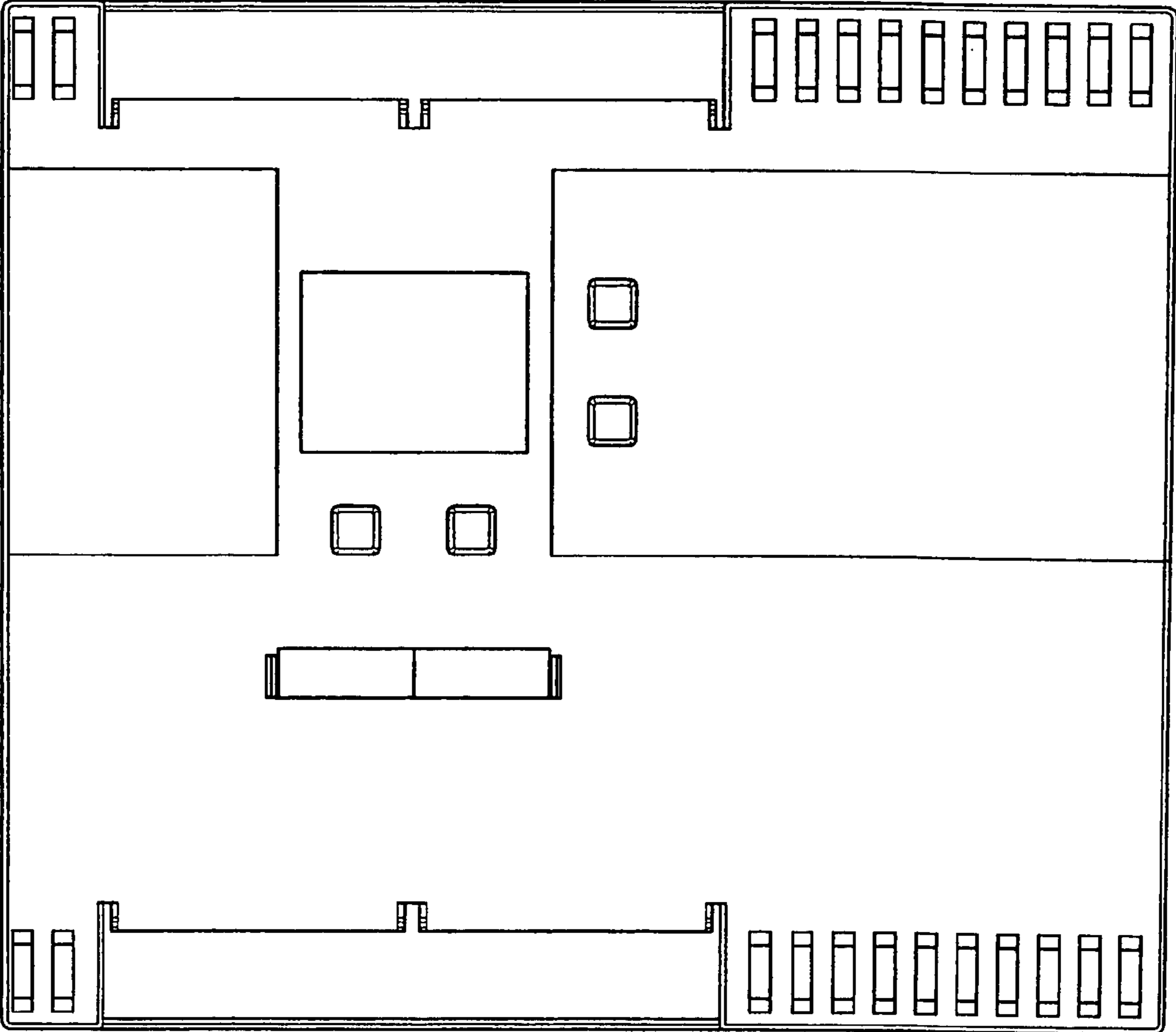


FIG. 2

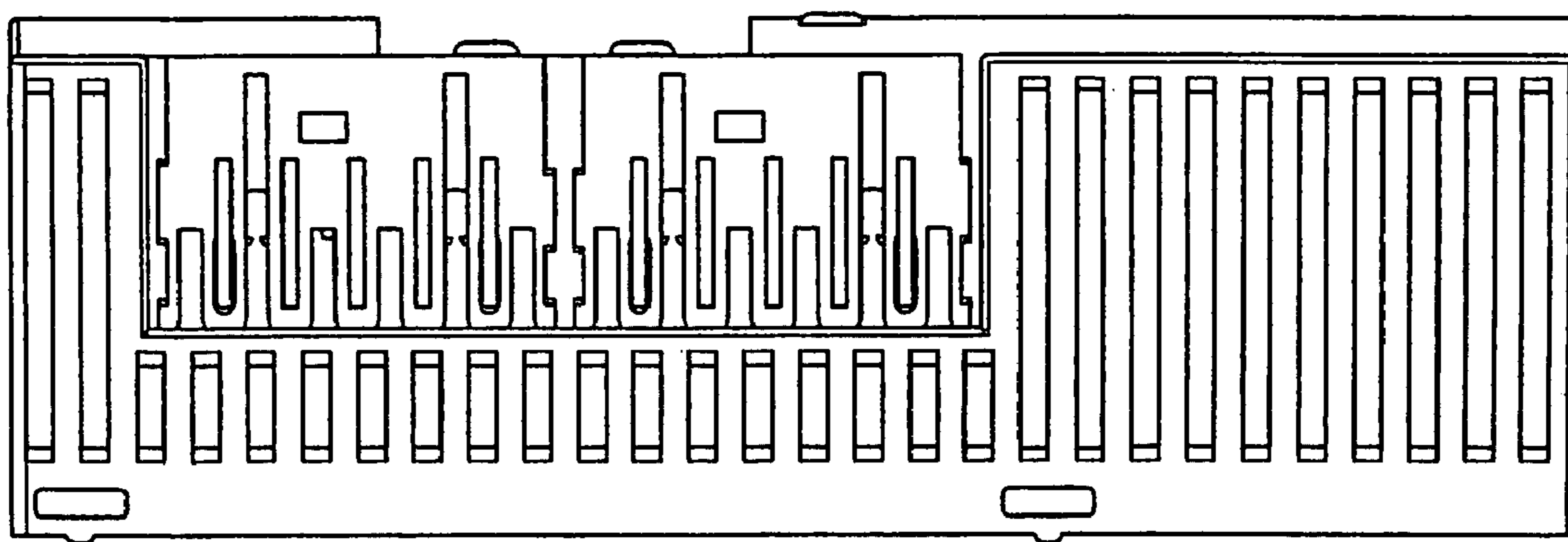


FIG. 3

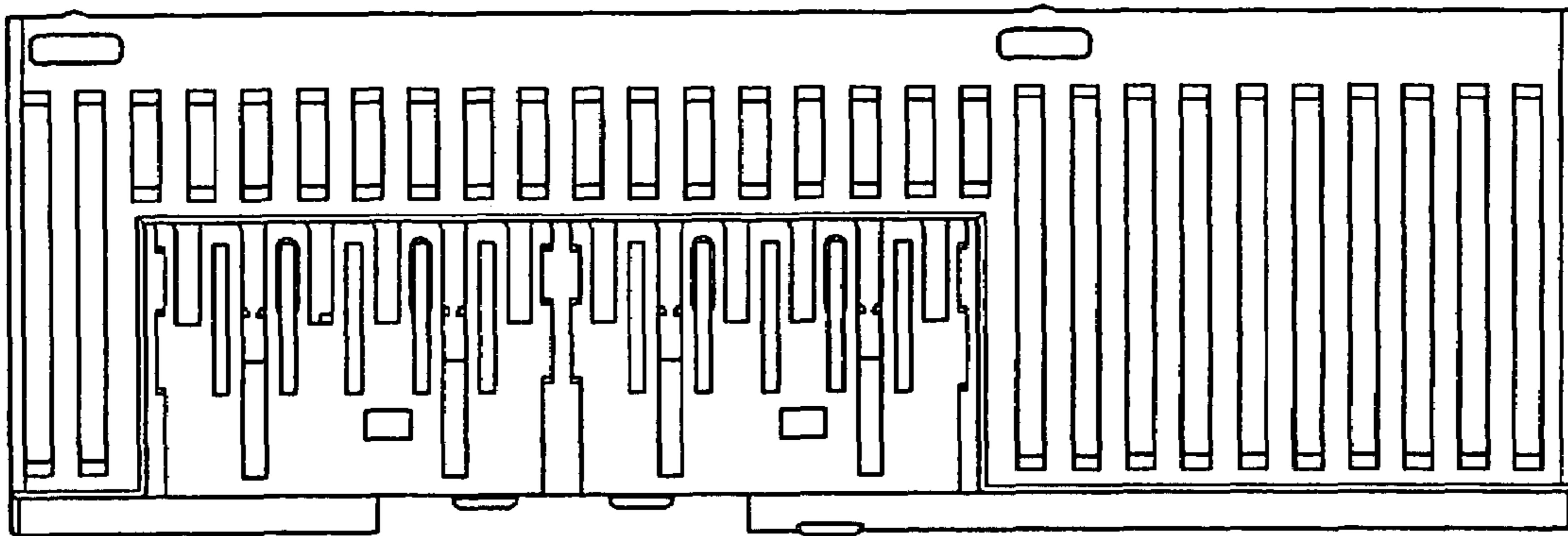


FIG. 4

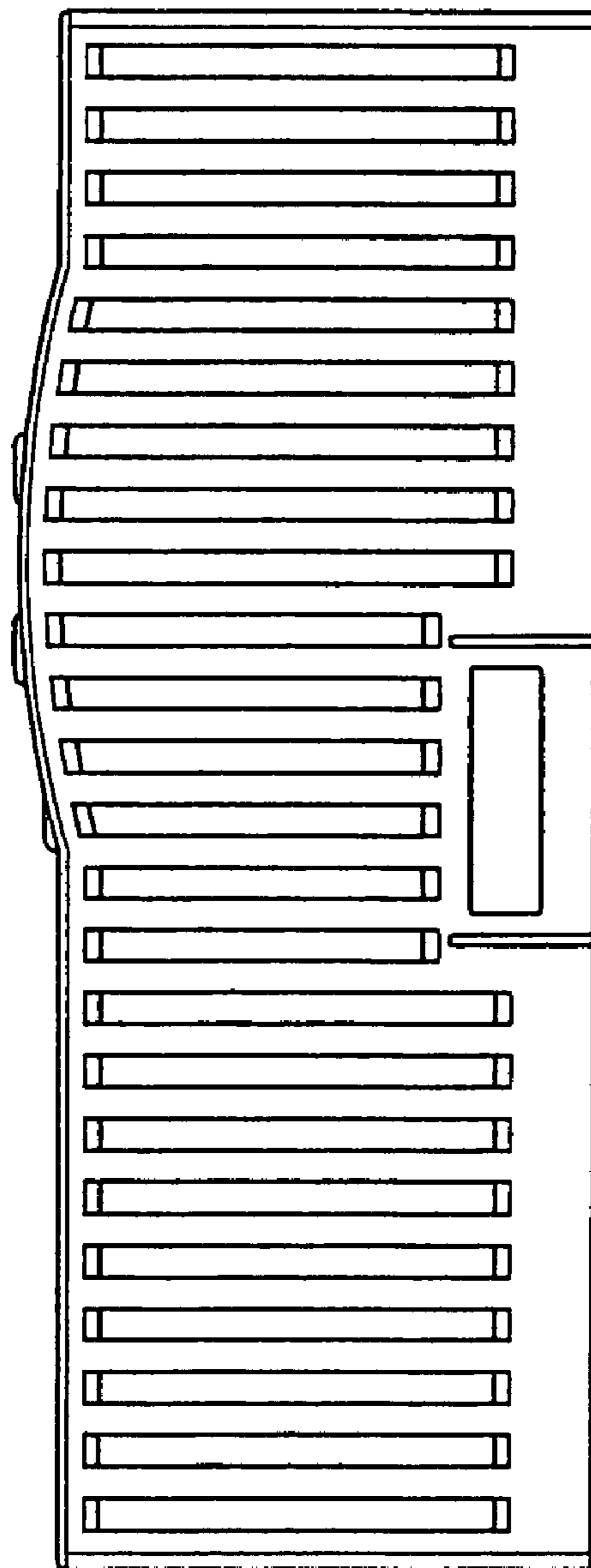


FIG. 5

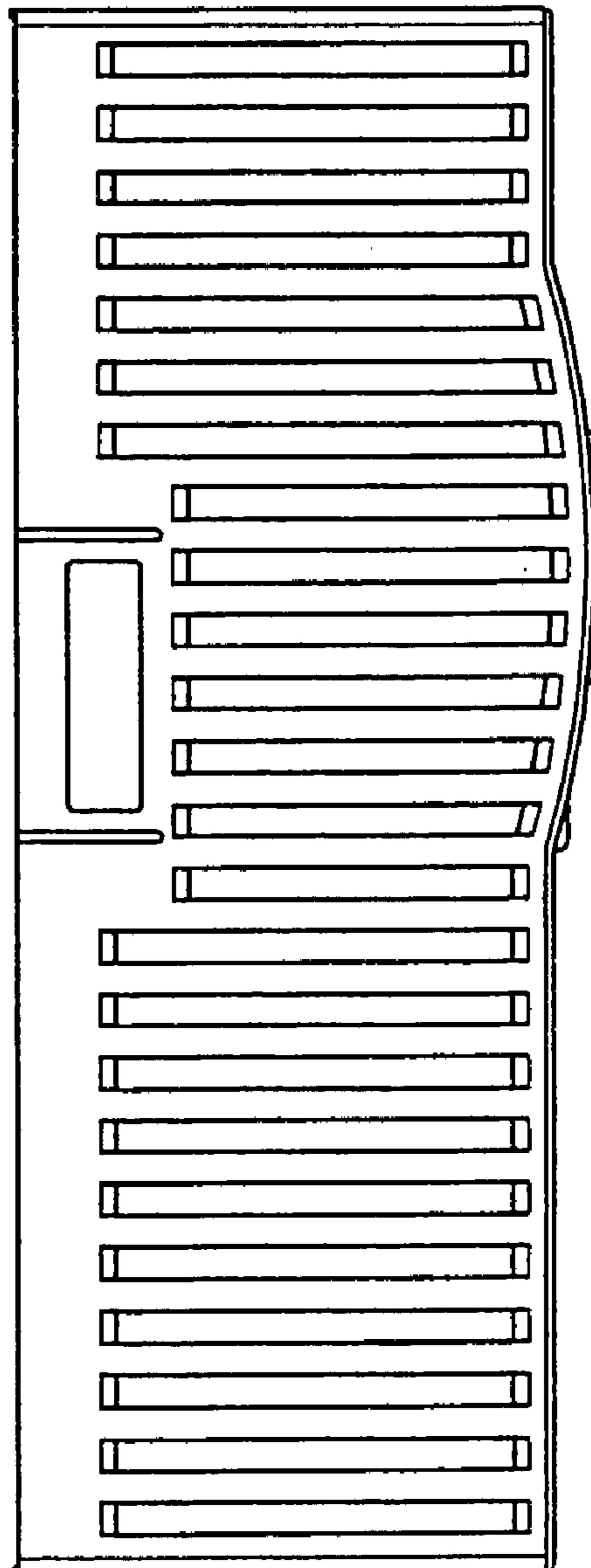


FIG. 6

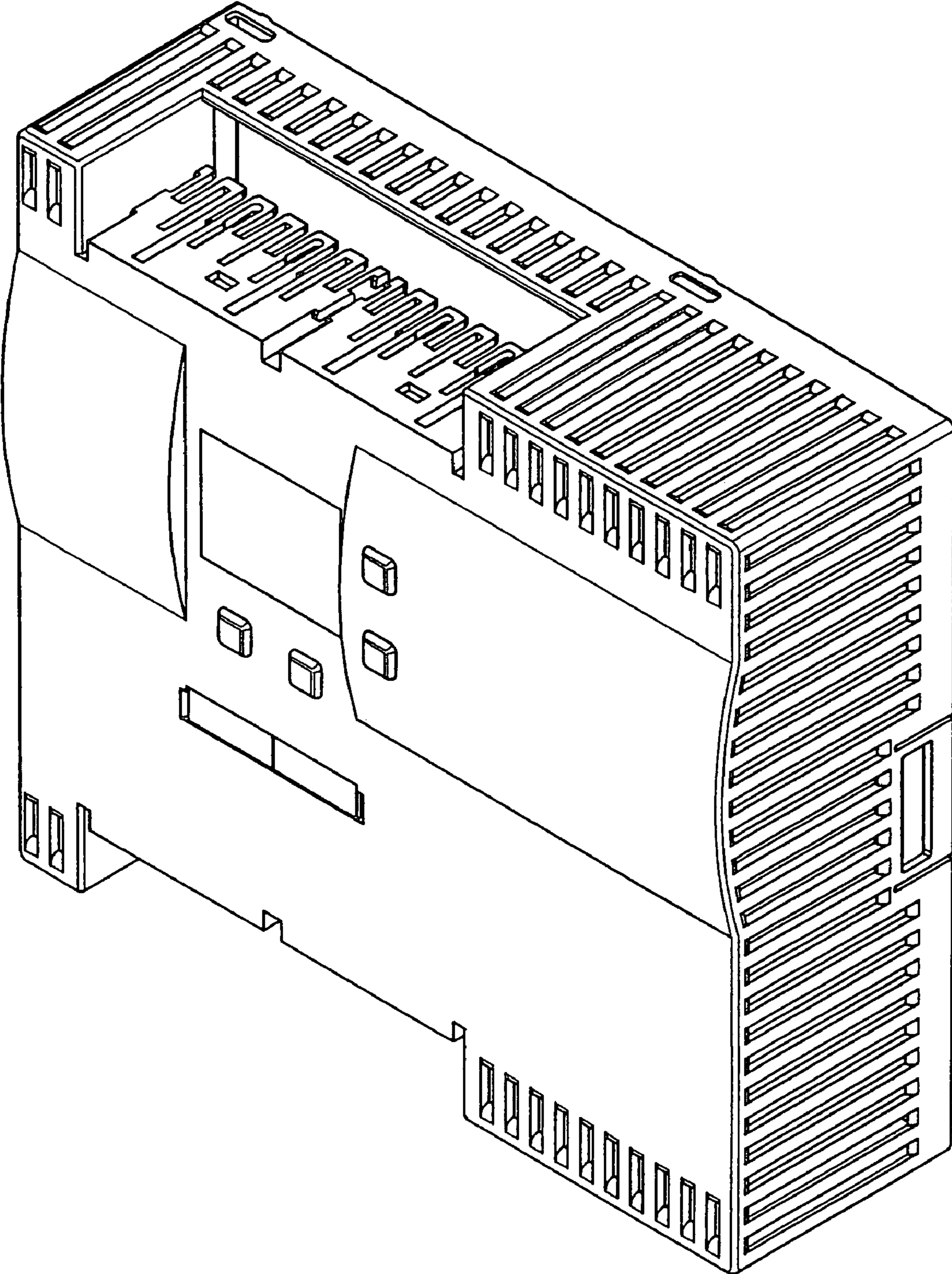


FIG. 7

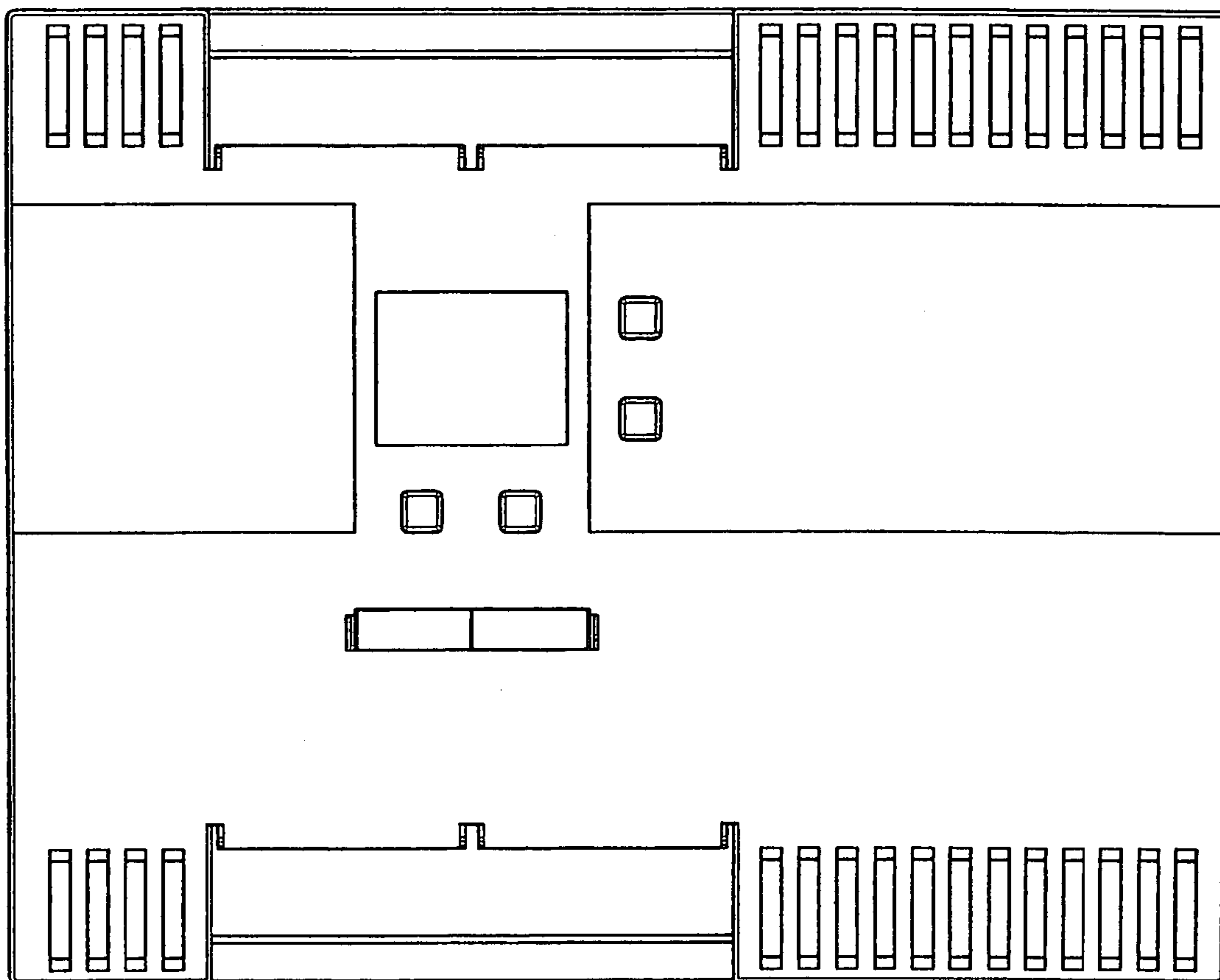


FIG. 8

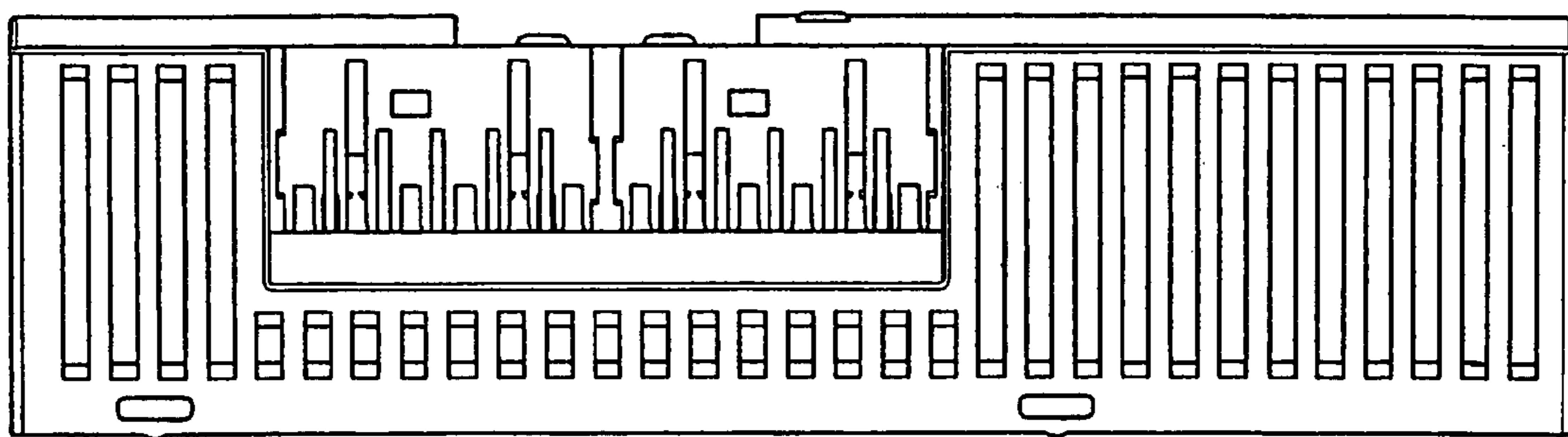


FIG. 9

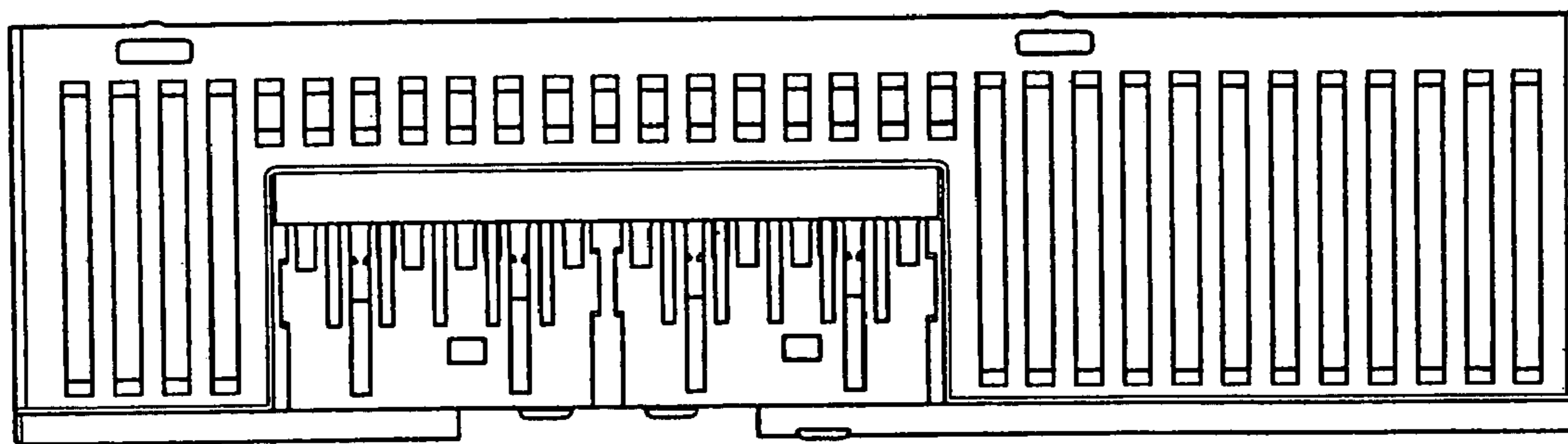


FIG. 10

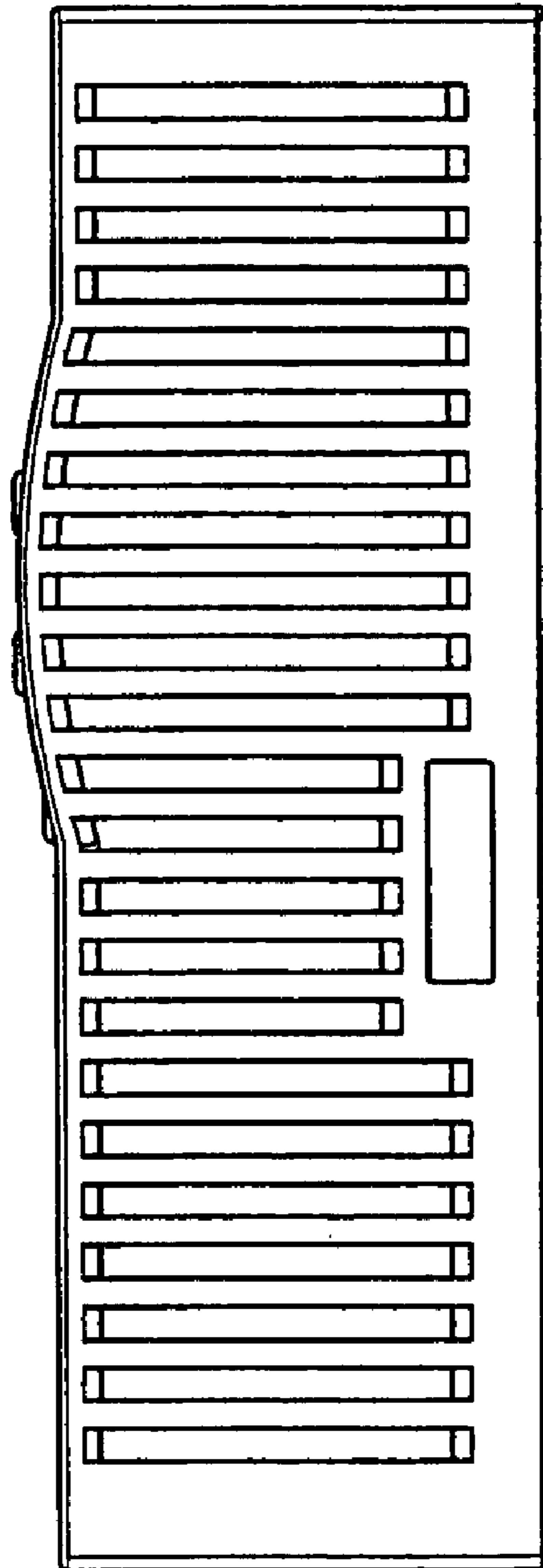


FIG. 11

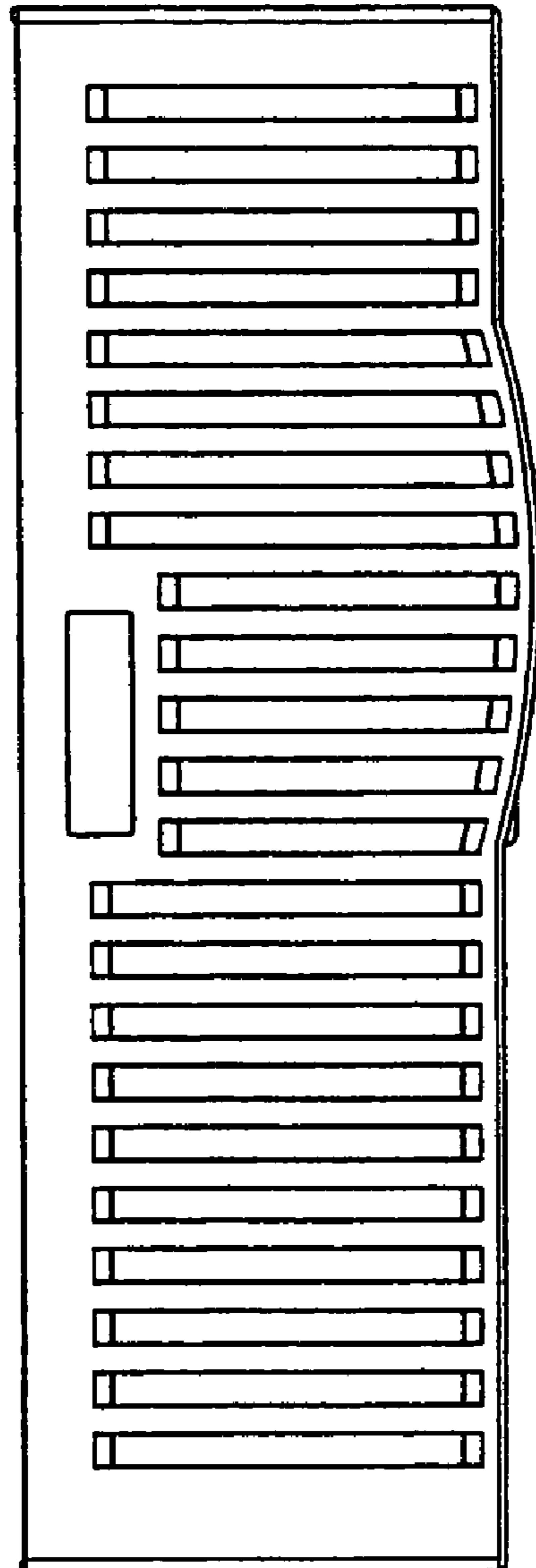


FIG. 12

