



US00D558681S

(12) **United States Design Patent**  
**Nishio et al.**

(10) **Patent No.:** **US D558,681 S**  
(45) **Date of Patent:** **\*\* Jan. 1, 2008**

(54) **CONNECTOR**

(75) Inventors: **Atsushi Nishio**, Tama (JP); **Takashi Kawasaki**, Tama (JP); **Masashi Ouchi**, Tama (JP); **Takahiro Shimoyama**, Tama (JP)

(73) Assignee: **Mitsumi Electric Co., Ltd.**, Tokyo (JP)

(\*\*) Term: **14 Years**

(21) Appl. No.: **29/245,625**

(22) Filed: **Dec. 28, 2005**

(30) **Foreign Application Priority Data**

Aug. 12, 2005 (JP) ..... 2005-023578

(51) **LOC (8) Cl.** ..... **13-03**

(52) **U.S. Cl.** ..... **D13/154; D13/147**

(58) **Field of Classification Search** ..... D13/123,  
D13/133, 146-147, 154, 184, 199; 439/79,  
439/108, 278, 374, 377, 660, 607-610, 680-682,  
439/883, 891, 894

See application file for complete search history.

(56) **References Cited**

**U.S. PATENT DOCUMENTS**

- D433,665 S \* 11/2000 Huang ..... D13/147
- D462,326 S \* 9/2002 Okamoto ..... D13/147
- D478,050 S \* 8/2003 Nishio et al. .... D13/147
- D480,686 S \* 10/2003 Takahashi ..... D13/147

- D481,681 S \* 11/2003 Takahashi ..... D13/147
- D482,002 S \* 11/2003 Suzuki et al. .... D13/147
- D509,799 S \* 9/2005 Tsai ..... D13/147
- D523,400 S \* 6/2006 Shang-Yen et al. .... D13/147
- D523,813 S \* 6/2006 He et al. .... D13/147

\* cited by examiner

*Primary Examiner*—Daniel Bui

(74) *Attorney, Agent, or Firm*—Sughrue Mion Pllc.

(57) **CLAIM**

The ornamental design for a connector, as shown and described.

**DESCRIPTION**

FIG. 1 is a perspective view of the top, front, and right side of a connector showing our new design;

FIG. 2 is a front elevational view thereof;

FIG. 3 is a rear elevational view thereof;

FIG. 4 is a top plan view thereof;

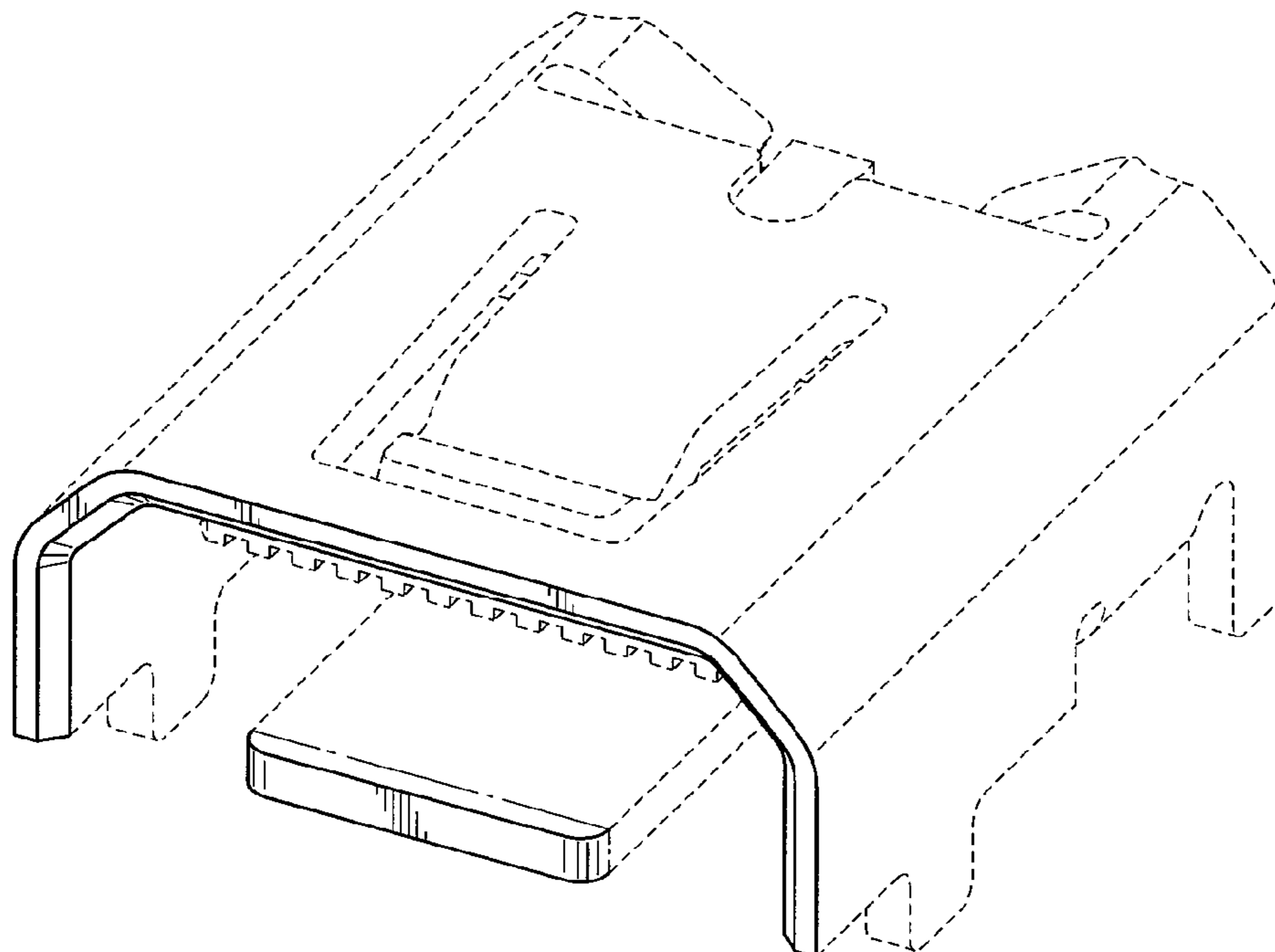
FIG. 5 is a right side elevational view thereof;

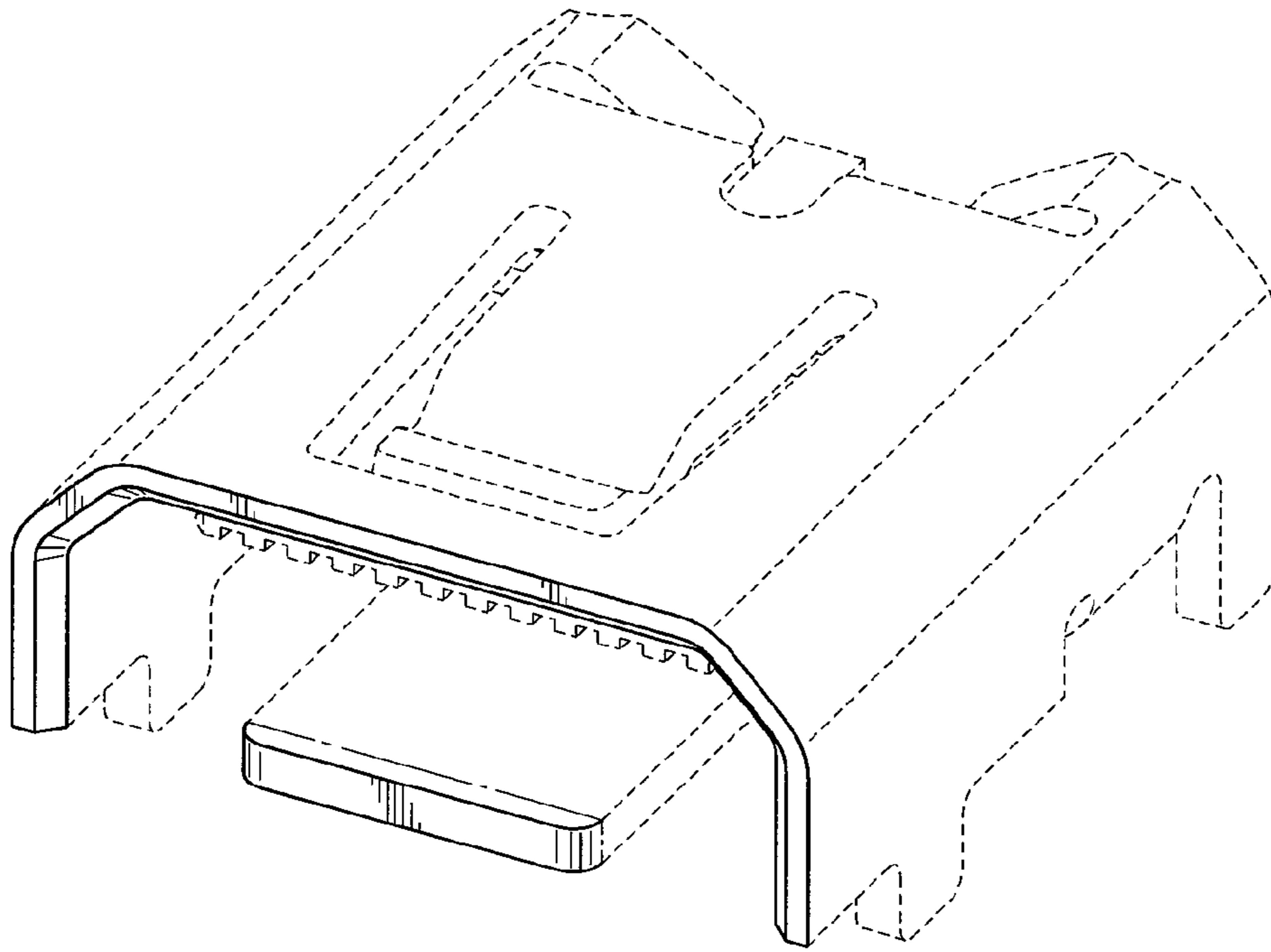
FIG. 6 is a left side elevational view thereof; and,

FIG. 7 is a bottom plan view thereof.

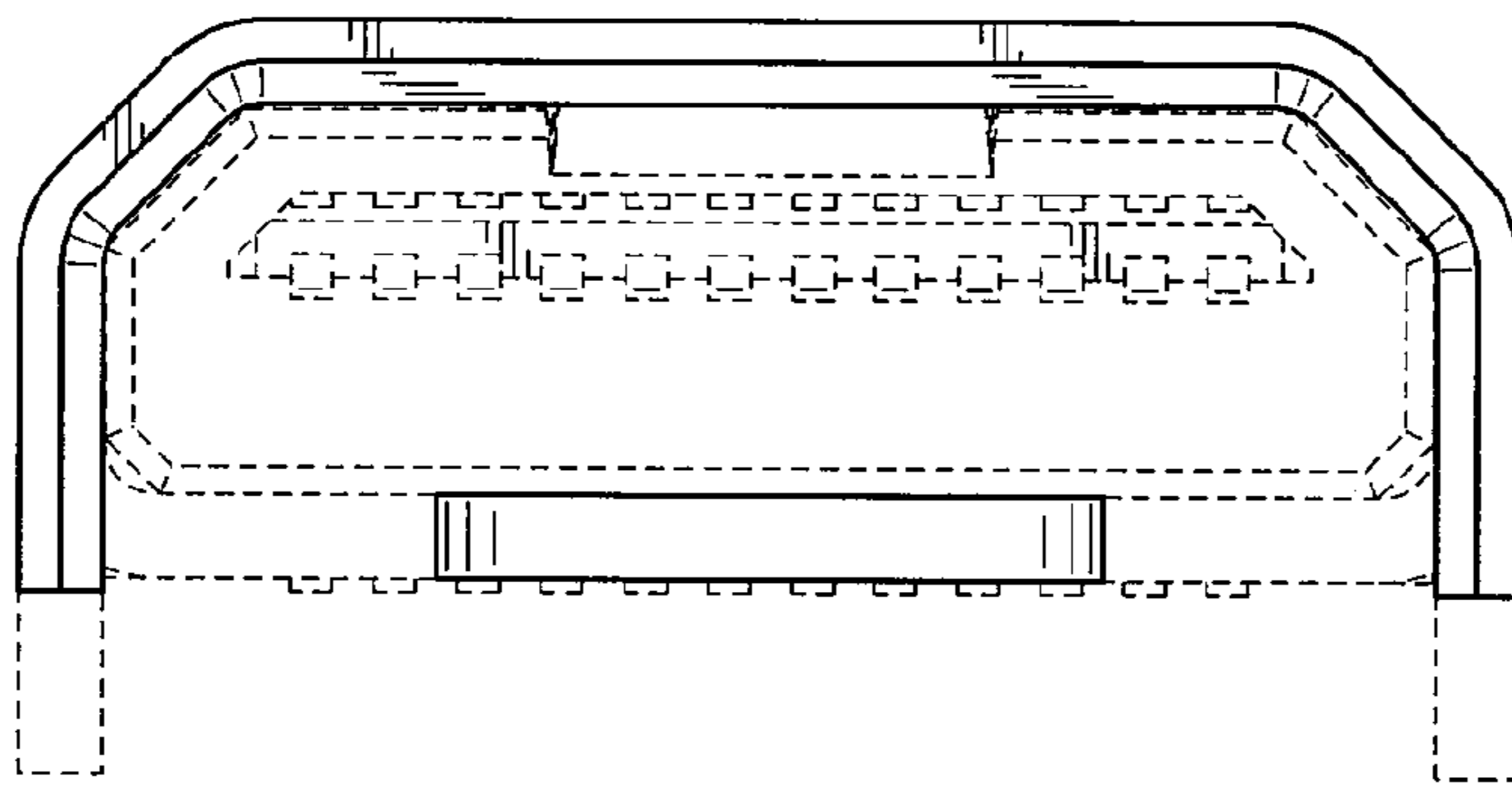
The portions shown in broken lines are for illustrative purposes only and form no part of the claimed design. Also, the dot-dash broken lines define the boundaries of the claimed portion and the non-claimed portion.

**1 Claim, 3 Drawing Sheets**

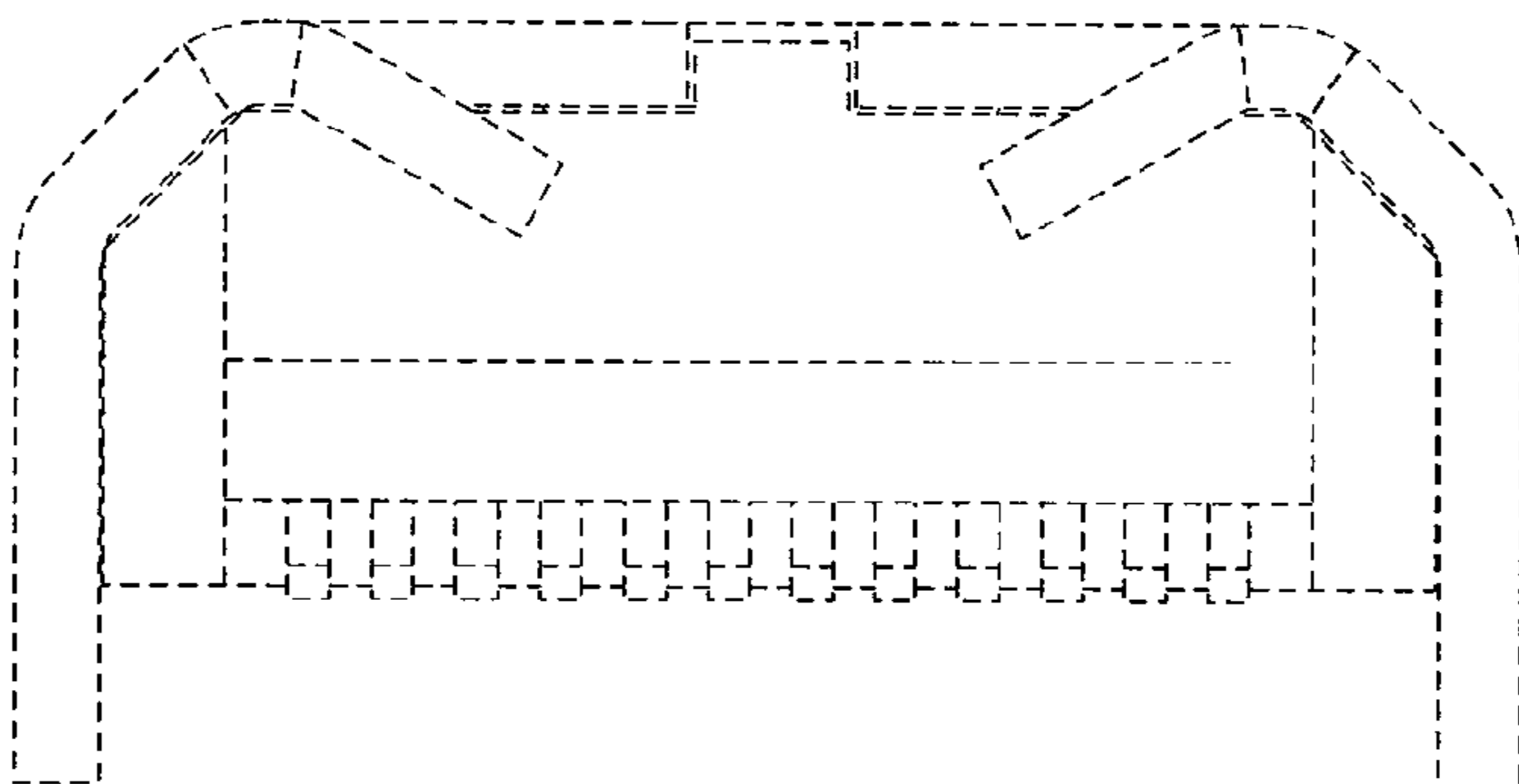




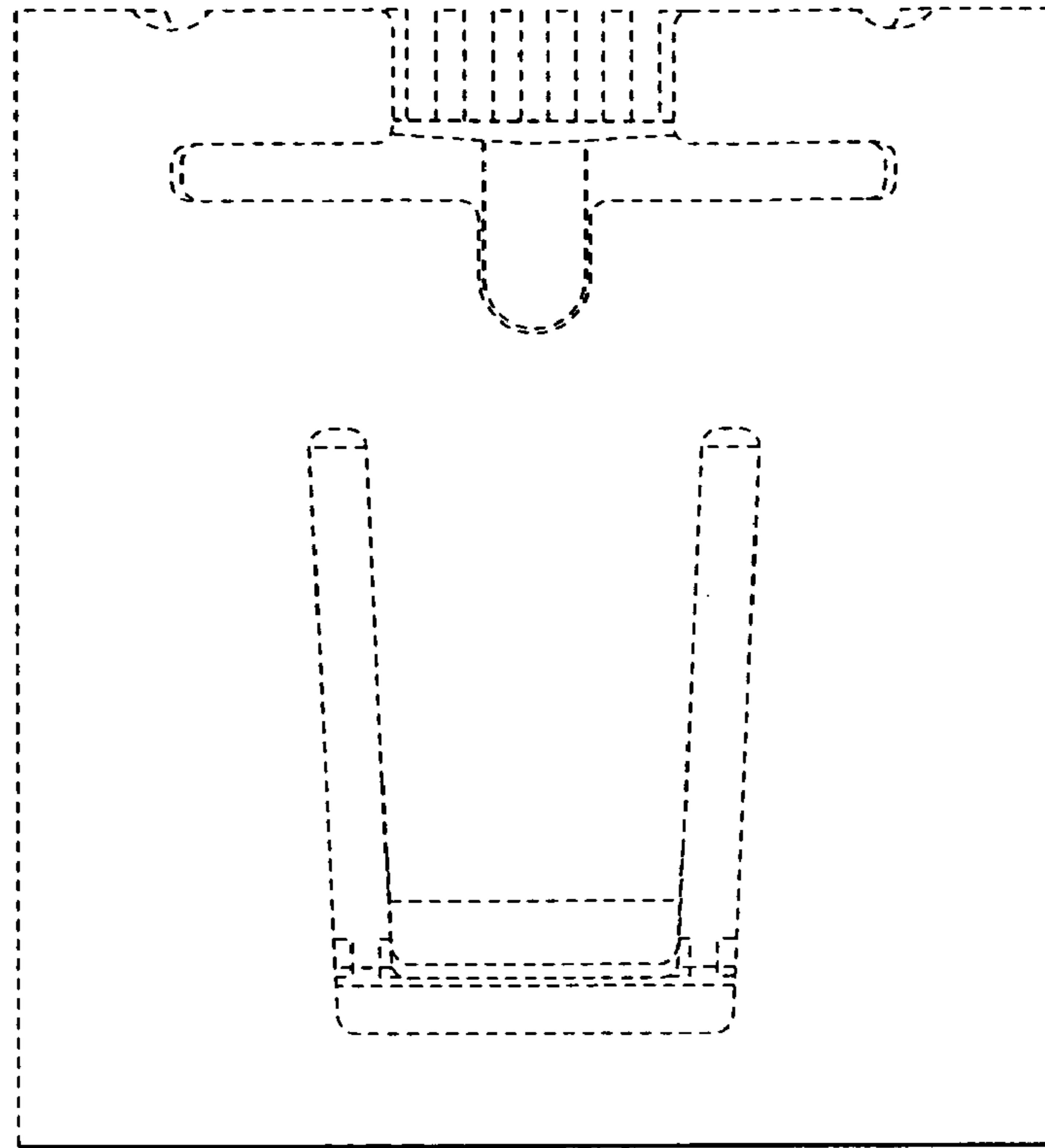
*FIG. 1*



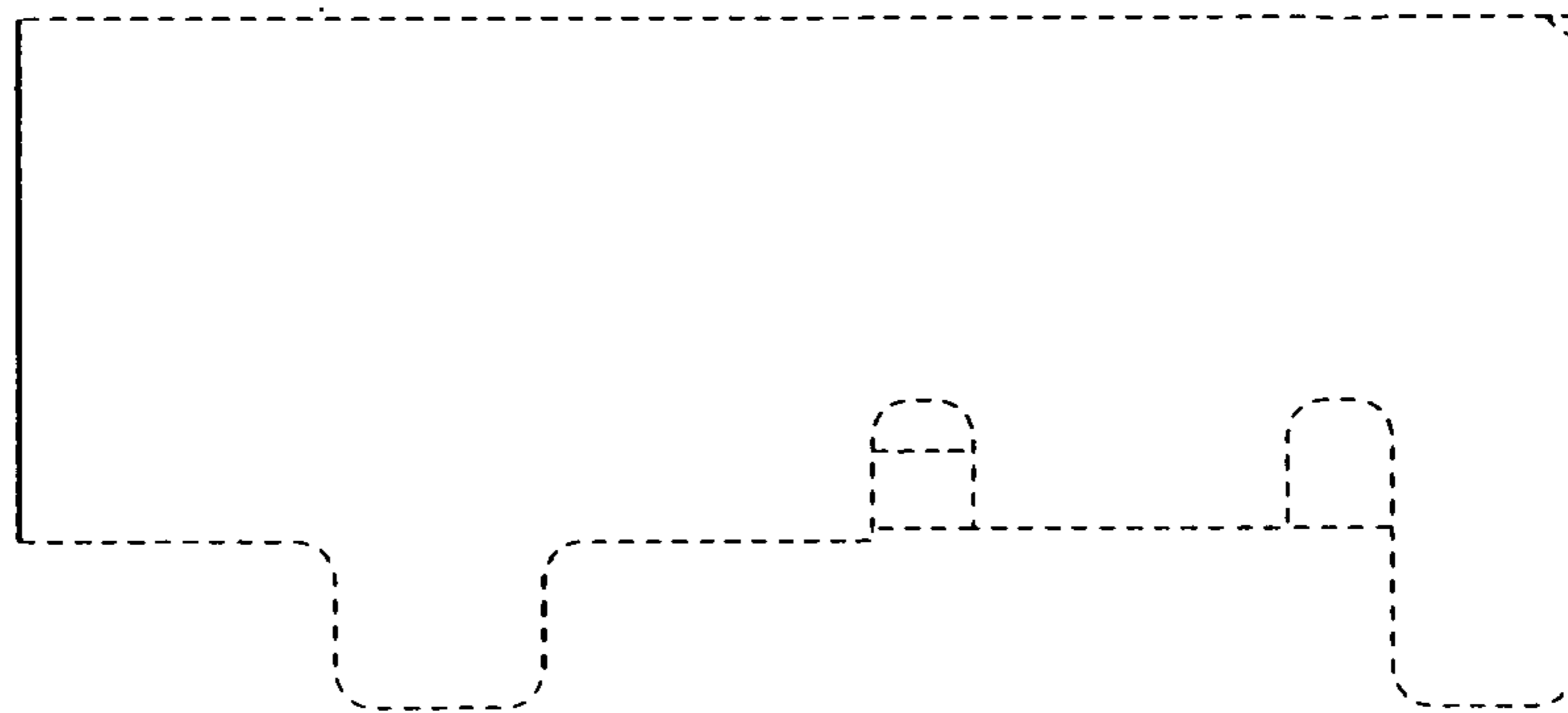
*FIG. 2*



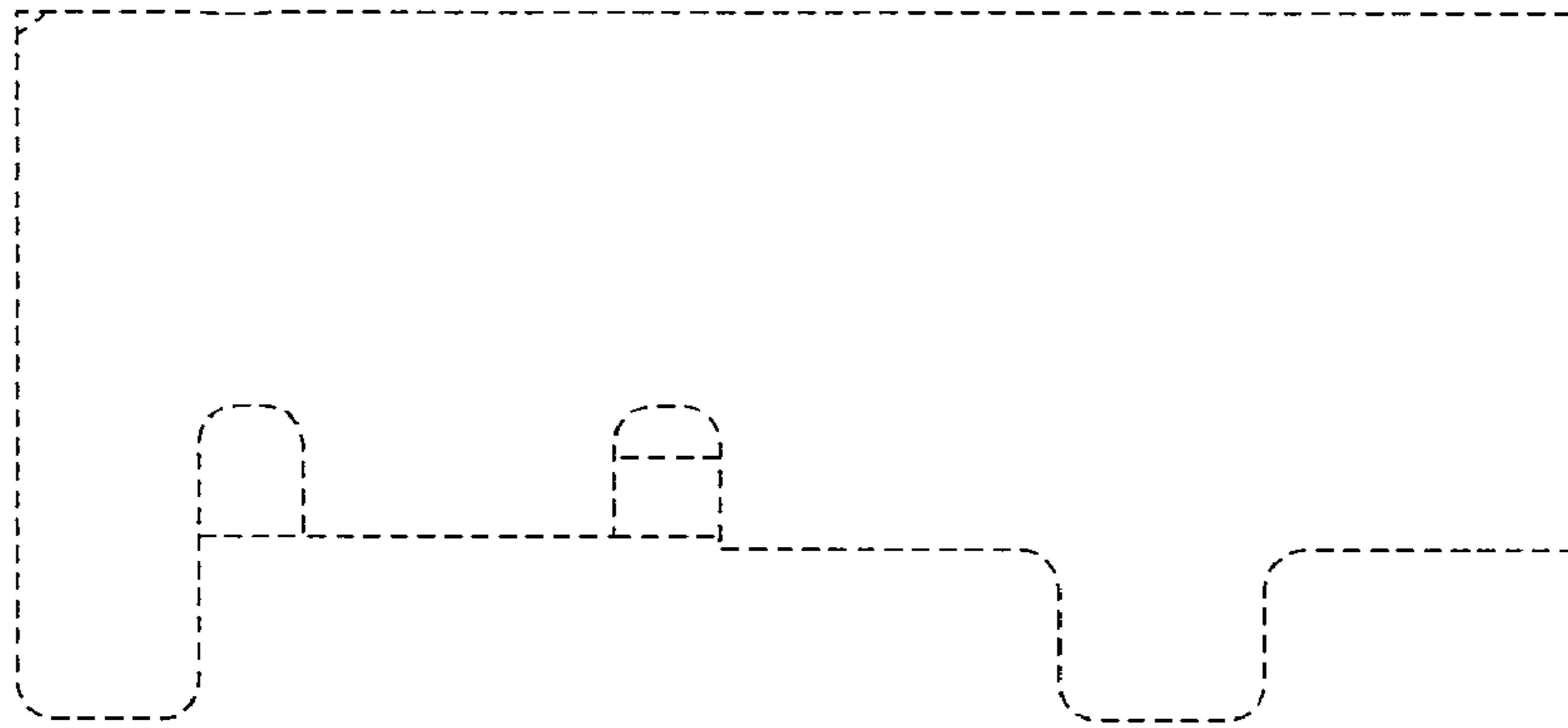
*FIG. 3*



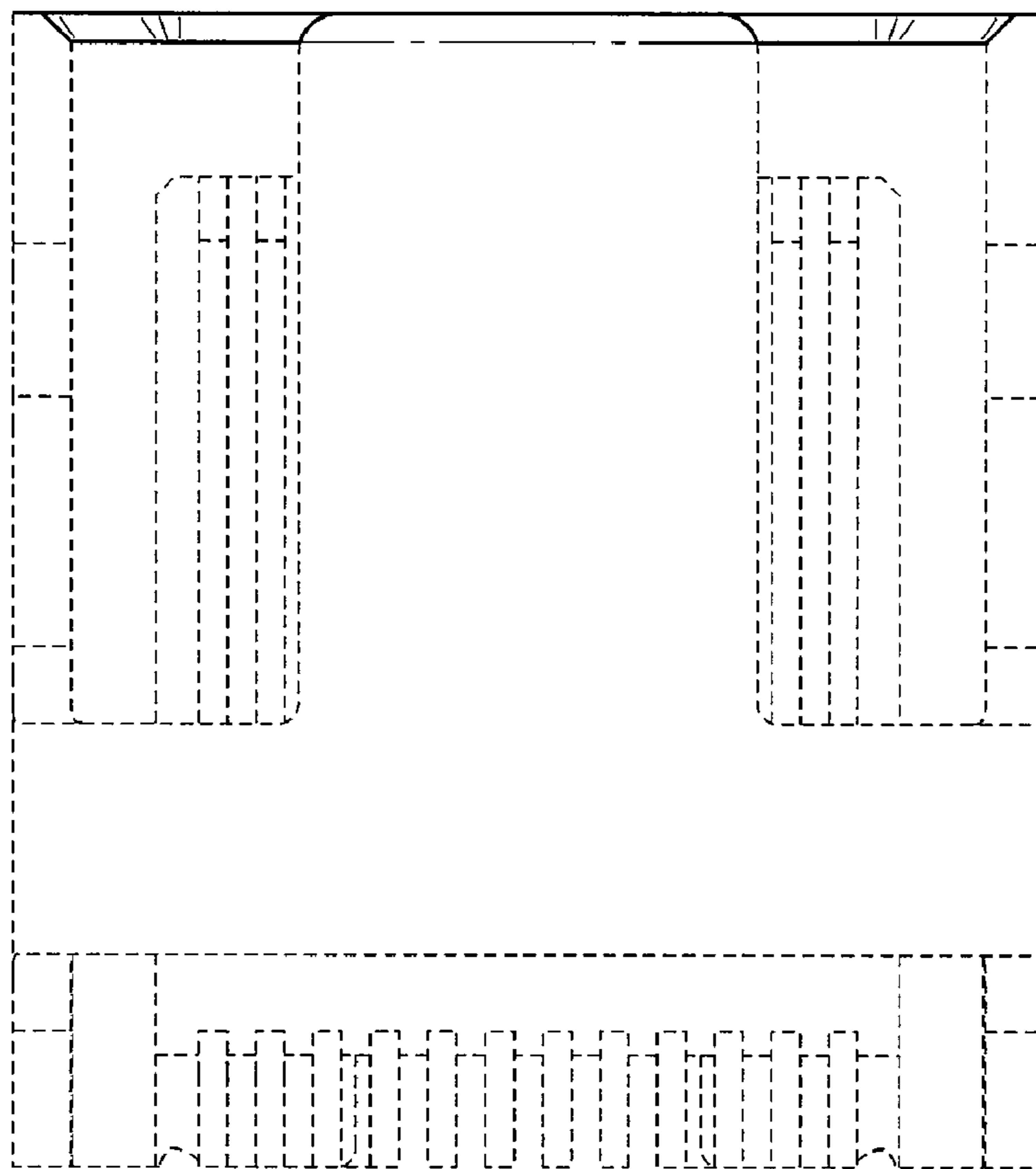
**FIG. 4**



**FIG. 5**



*FIG. 6*



*FIG. 7*