



US00D558680S

(12) **United States Design Patent**  
**Chen et al.**

(10) **Patent No.:** **US D558,680 S**  
(45) **Date of Patent:** **\*\* Jan. 1, 2008**

(54) **INTERFACE OF AN ELECTRICAL CONNECTOR**

(74) *Attorney, Agent, or Firm*—Wei Te Chung

(75) Inventors: **Ran Chen**, Kunshan (CN); **Yu-Hua Mao**, Kunshan (CN)

(57) **CLAIM**

The ornamental design for an interface of an electrical connector, as shown and described.

(73) Assignee: **Hon Hai Precision Ind. Co., Ltd.**, Taipei Hsien (TW)

(\*\*) Term: **14 Years**

**DESCRIPTION**

(21) Appl. No.: **29/245,538**

FIG. 1 is a front, top and right side perspective view showing an interface of an electrical connector in accordance with a first embodiment of our new design;

(22) Filed: **Dec. 23, 2005**

FIG. 2 is a front elevational view thereof;

(30) **Foreign Application Priority Data**

Nov. 14, 2005 (TW) ..... 094306859

FIG. 3 is a rear elevational view thereof;

(51) **LOC (8) Cl.** ..... **13-03**

(52) **U.S. Cl.** ..... **D13/154; D13/147**

(58) **Field of Classification Search** ..... D13/133, D13/147, 154, 184, 199; 439/79, 95, 607-610, 439/660, 637, 682, 686

FIG. 4 is a left side elevational view thereof;

FIG. 5 is a right side elevational view thereof;

FIG. 6 is a top plan view thereof; and

FIG. 7 is a bottom plan view thereof.

See application file for complete search history.

FIG. 8 is a front, top and right side perspective view showing an interface of an electrical connector in accordance with a second embodiment of our new design;

FIG. 9 is a front elevational view thereof;

FIG. 10 is a rear elevational view thereof;

FIG. 11 is a left side elevational view thereof;

FIG. 12 is a right side elevational view thereof;

FIG. 13 is a top plan view thereof; and,

FIG. 14 is a bottom plan view thereof.

(56) **References Cited**

U.S. PATENT DOCUMENTS

5,709,556 A \* 1/1998 Tan et al. .... 439/79

6,210,218 B1 \* 4/2001 Chang ..... 439/567

D458,224 S \* 6/2002 Miya et al. .... D13/133

D469,406 S \* 1/2003 Kato et al. .... D13/147

D519,081 S \* 4/2006 Katoh ..... D13/147

D525,940 S \* 8/2006 Zhang et al. .... D13/147

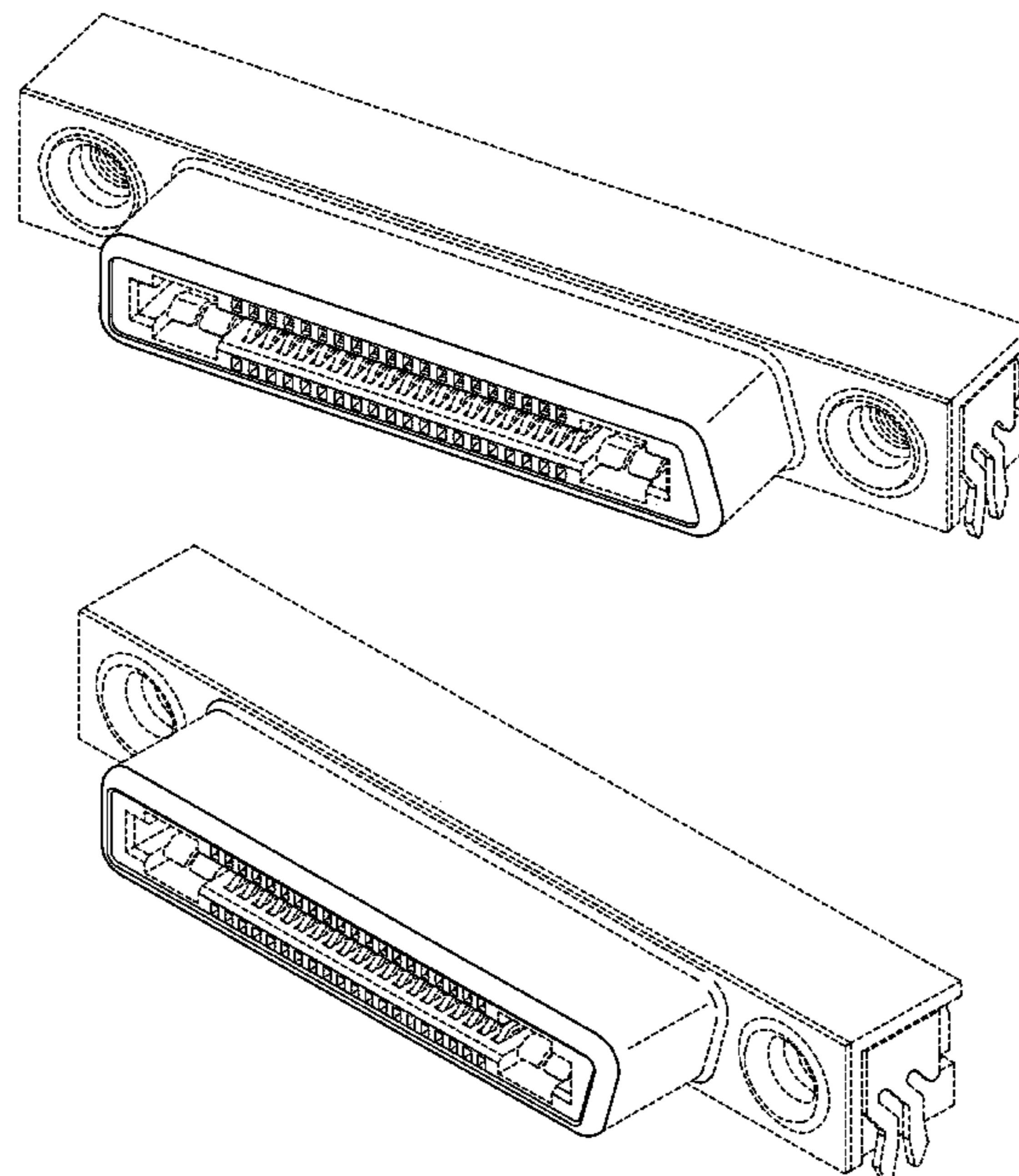
2004/0224567 A1 \* 11/2004 Zhong et al. .... 439/701

The broken line showing of the environment is for illustrative purposes only and forms no part of the claimed design. The dash-dot line represent the boundary of the claimed design.

\* cited by examiner

*Primary Examiner*—Daniel Bui

**1 Claim, 14 Drawing Sheets**



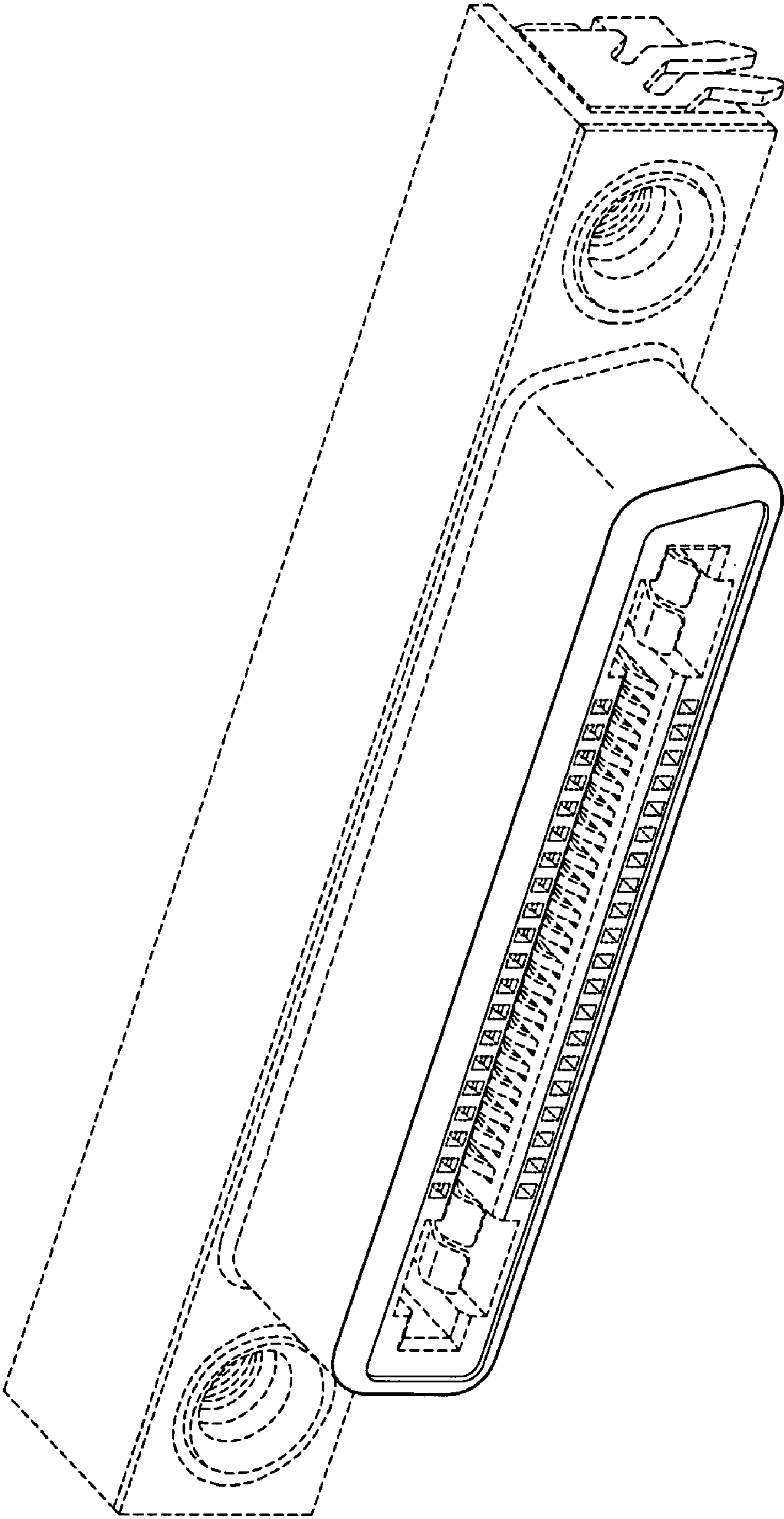


FIG. 1

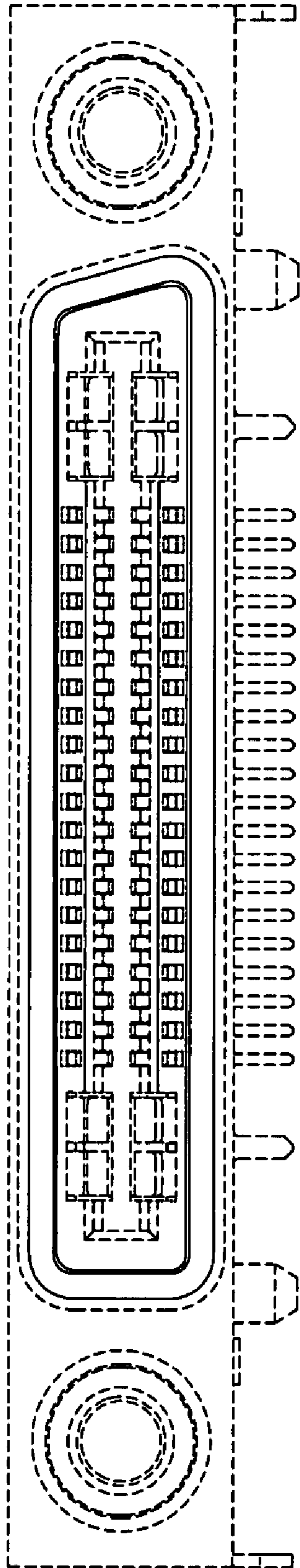


FIG. 2

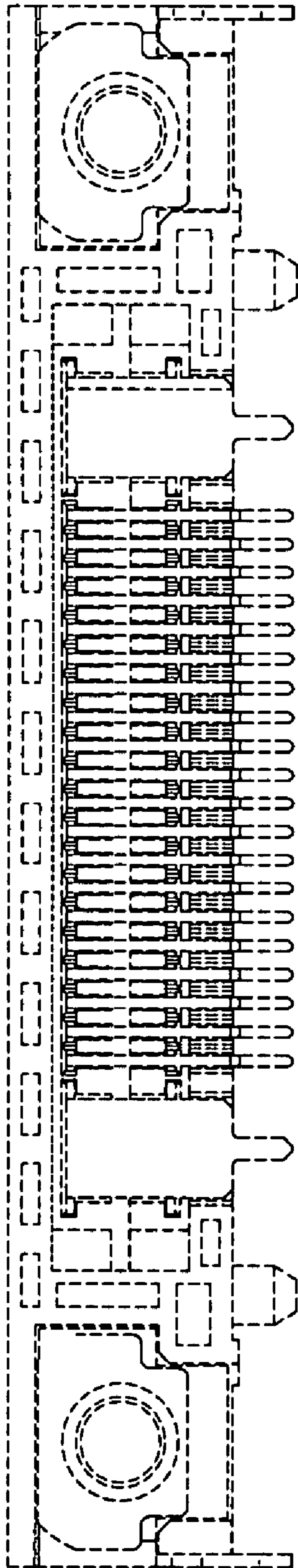


FIG. 3

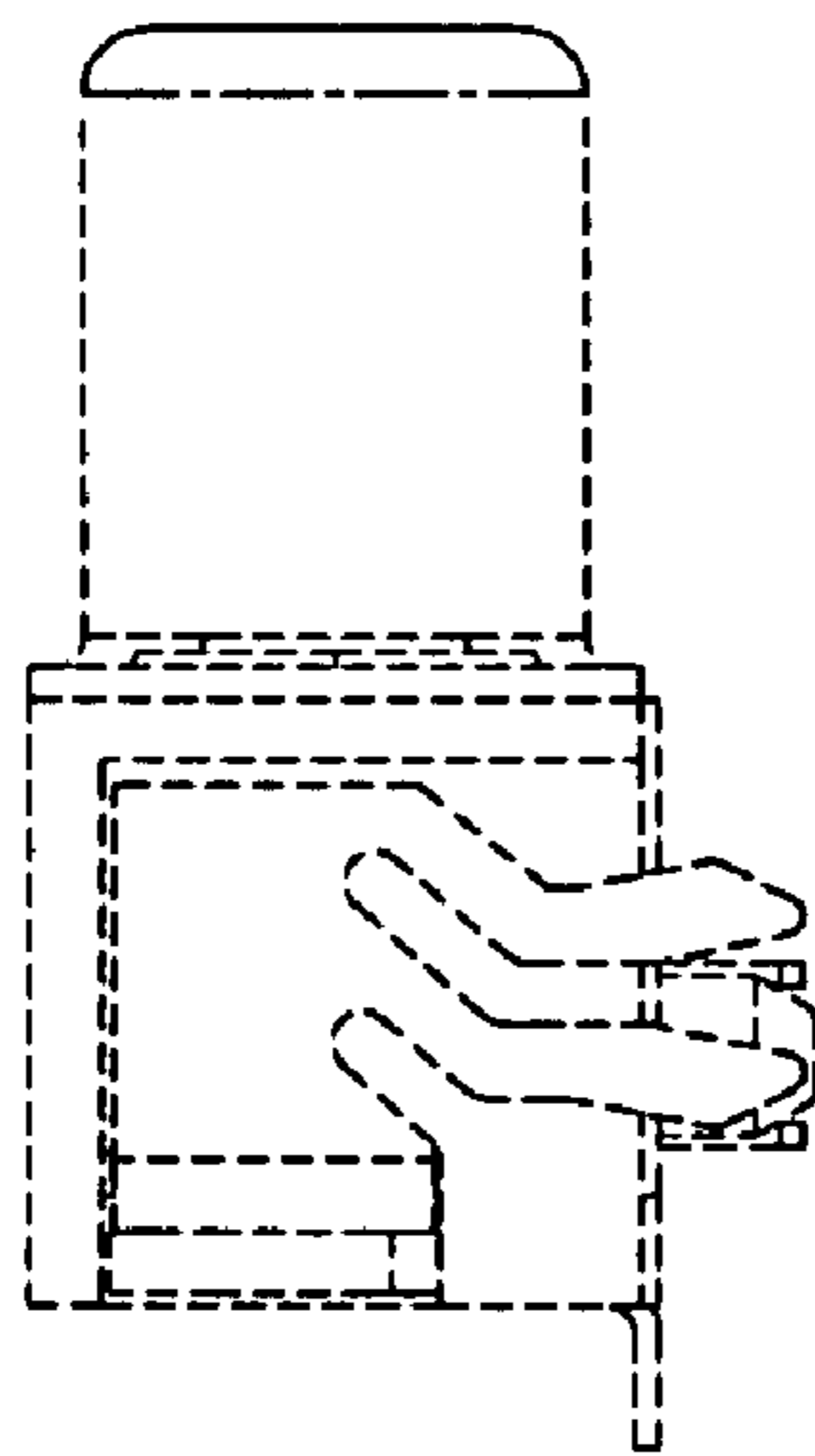


FIG. 4

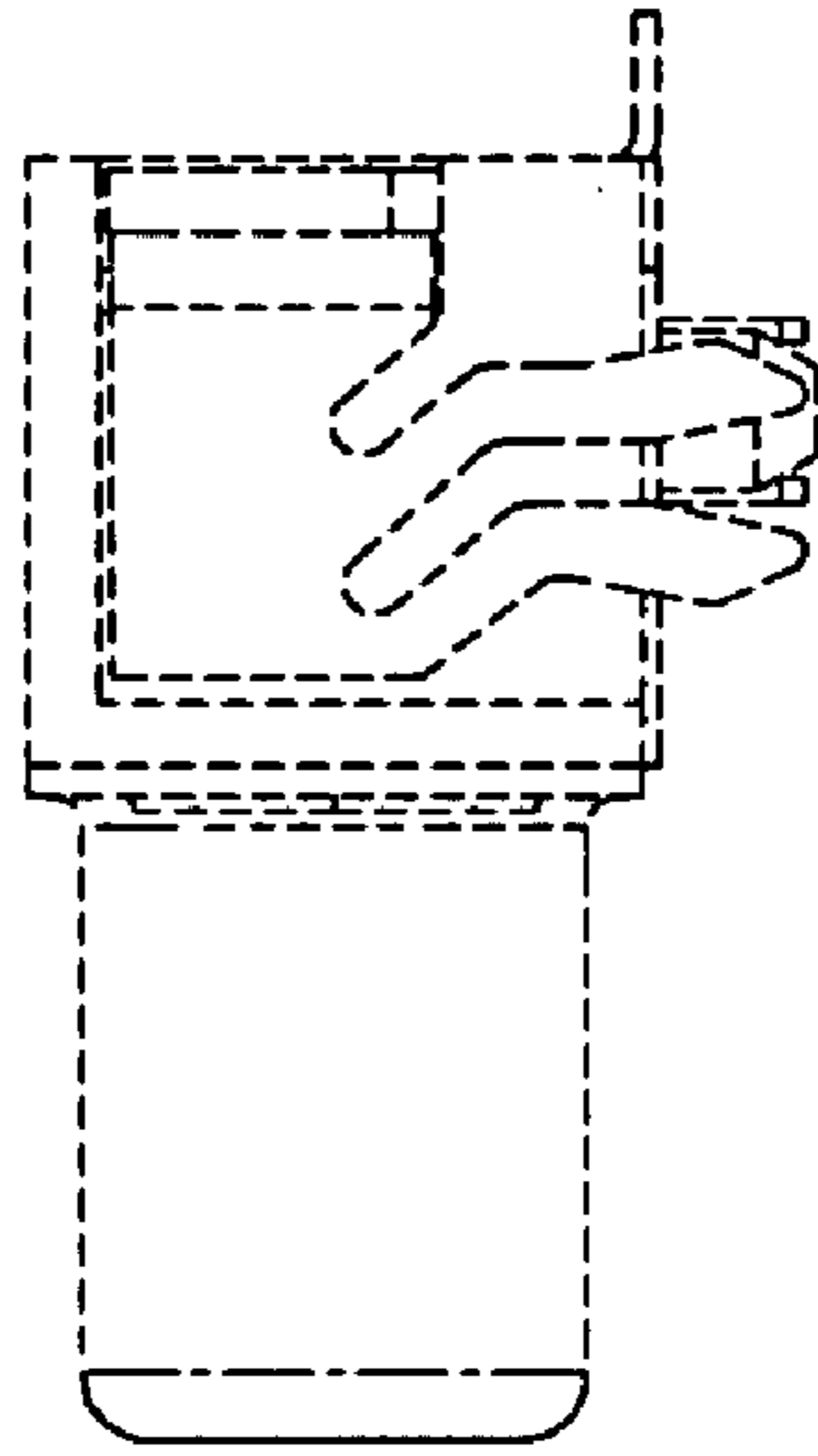


FIG. 5

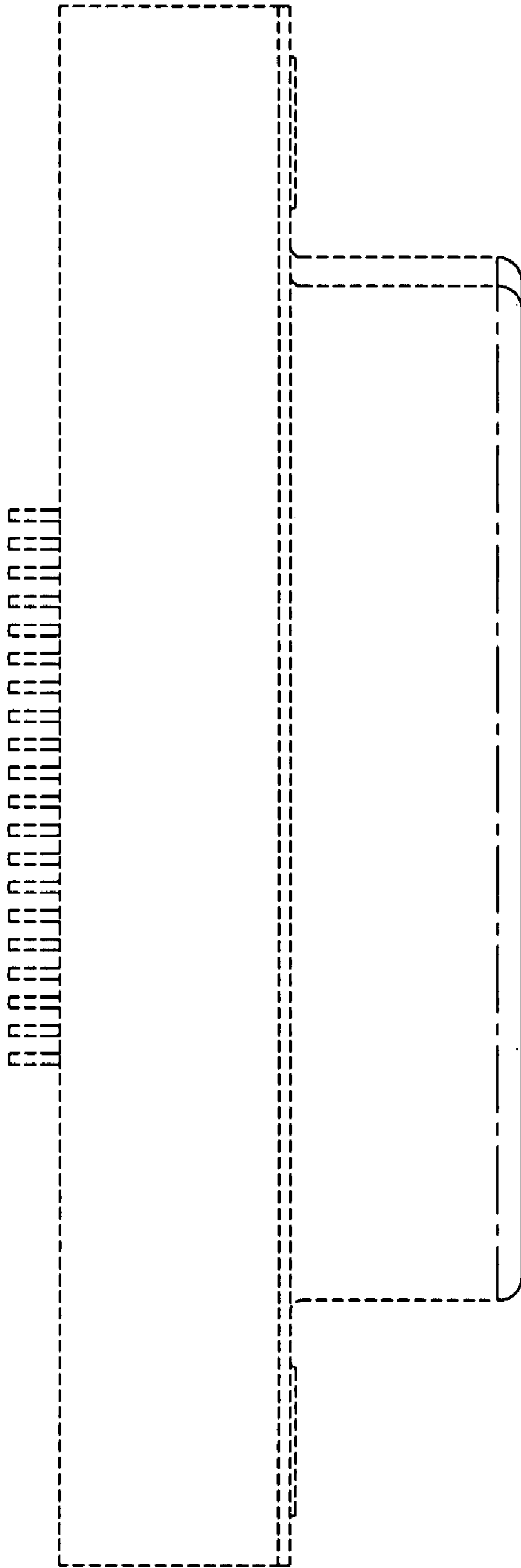


FIG. 6

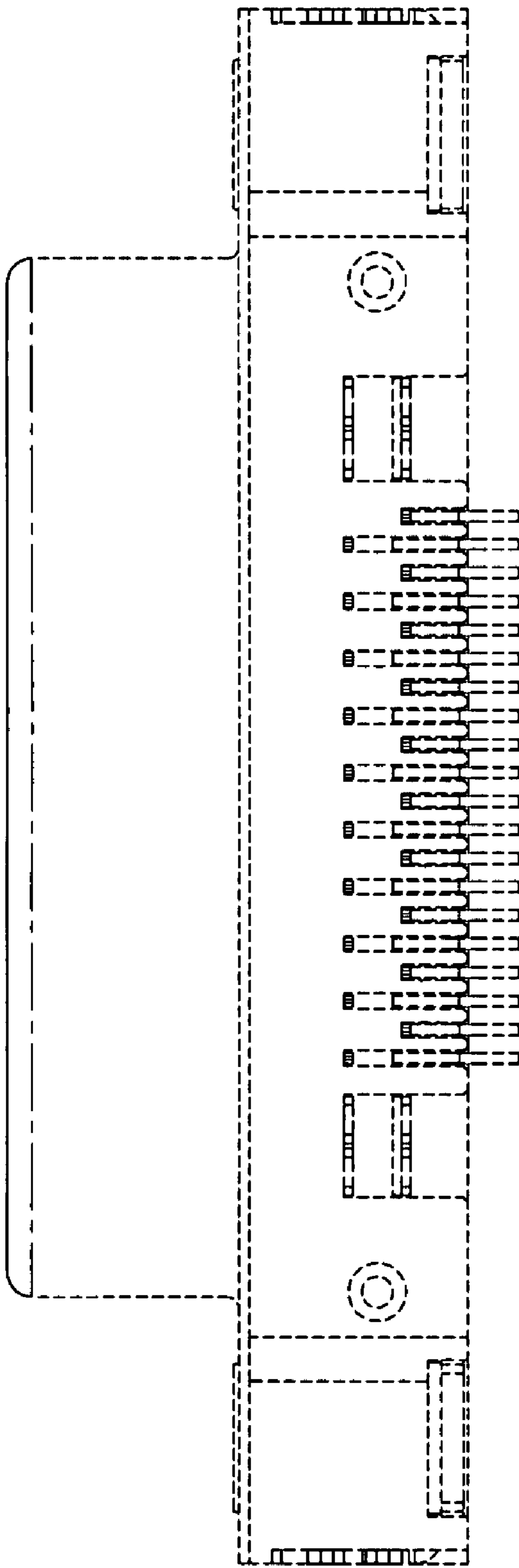


FIG. 7



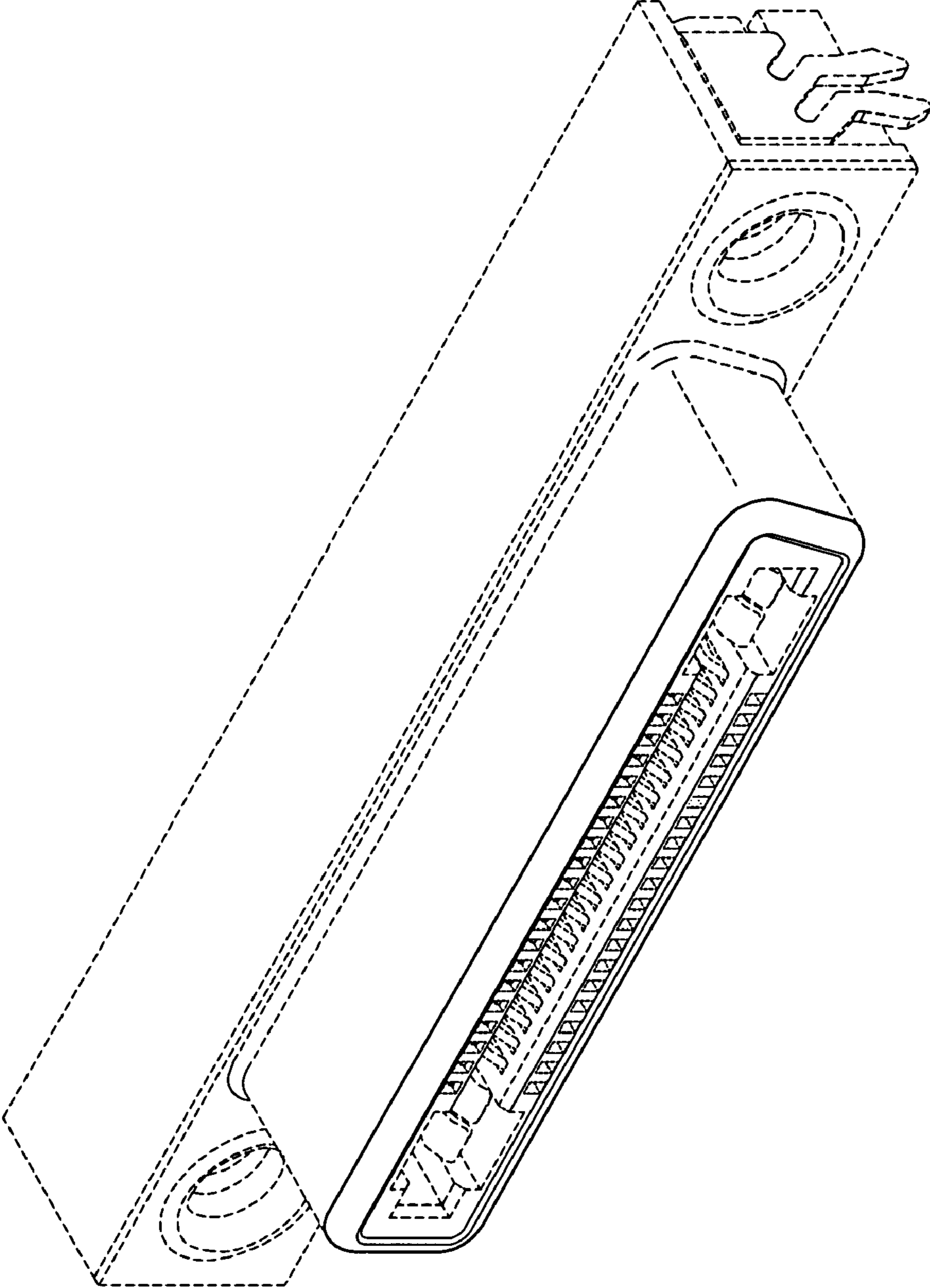


FIG. 8

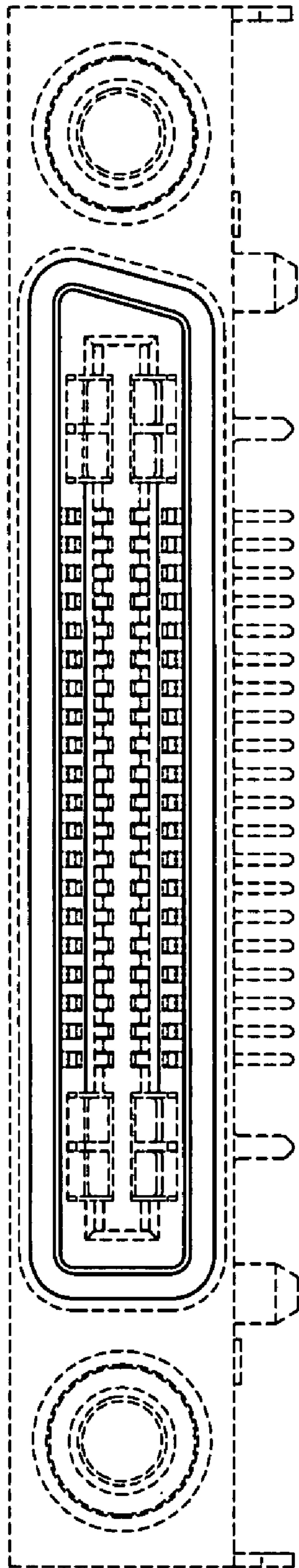


FIG. 9

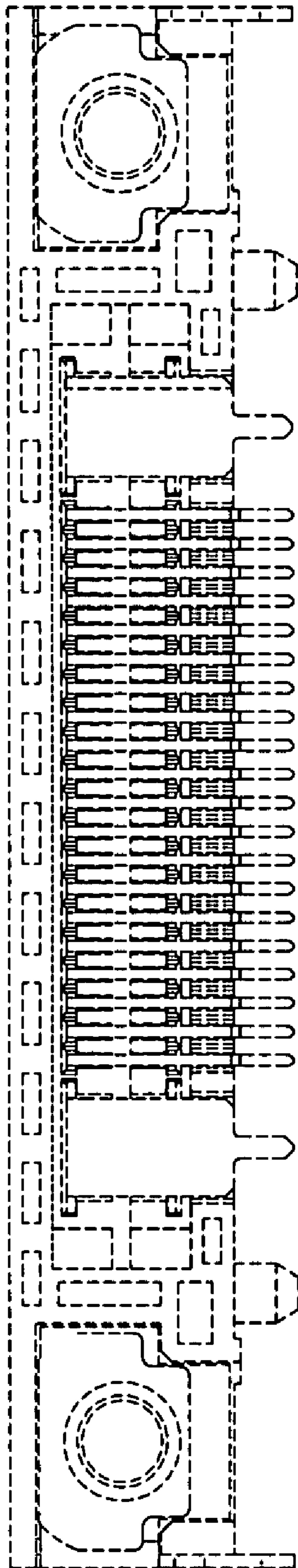


FIG. 10

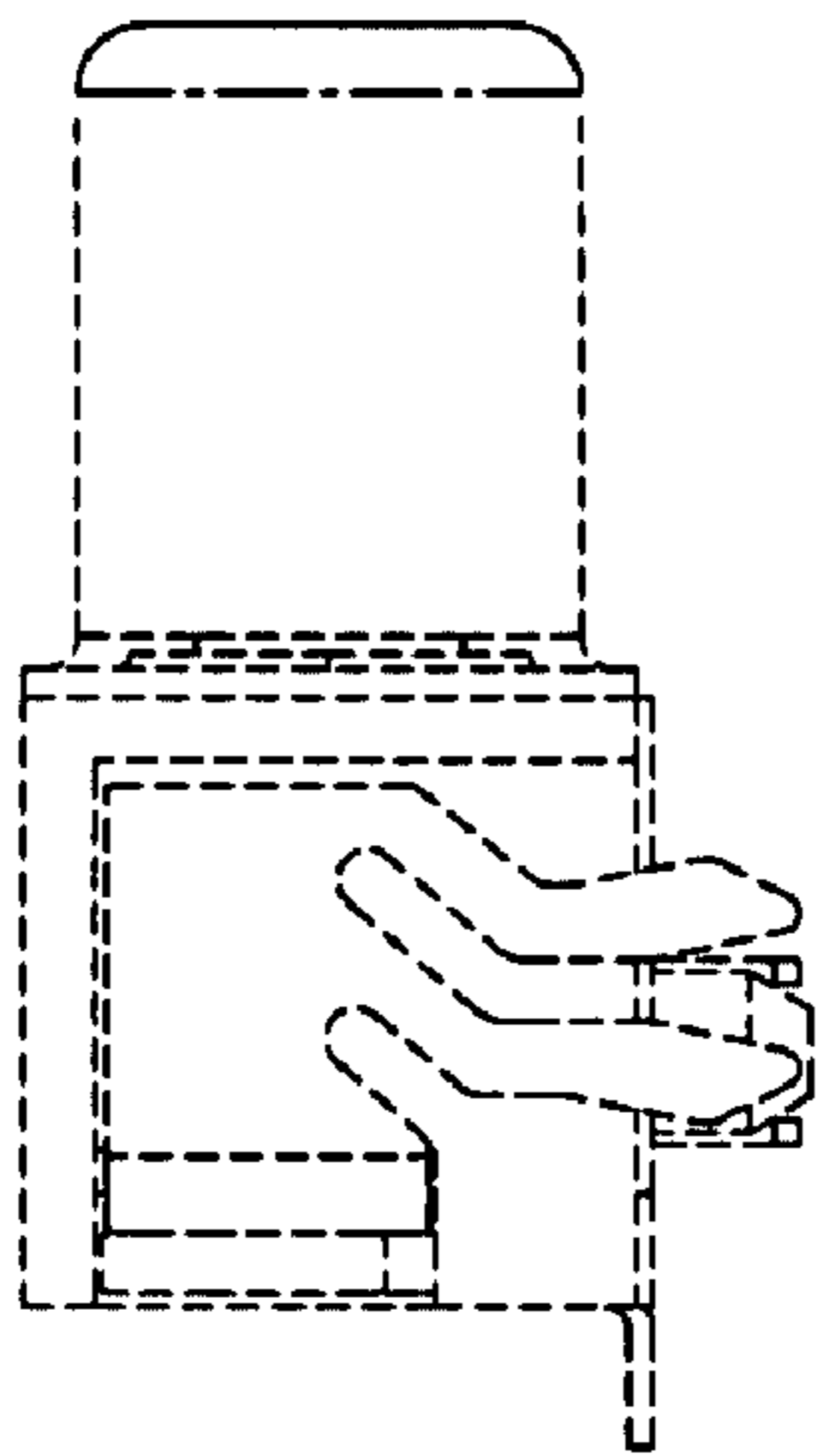


FIG. 11

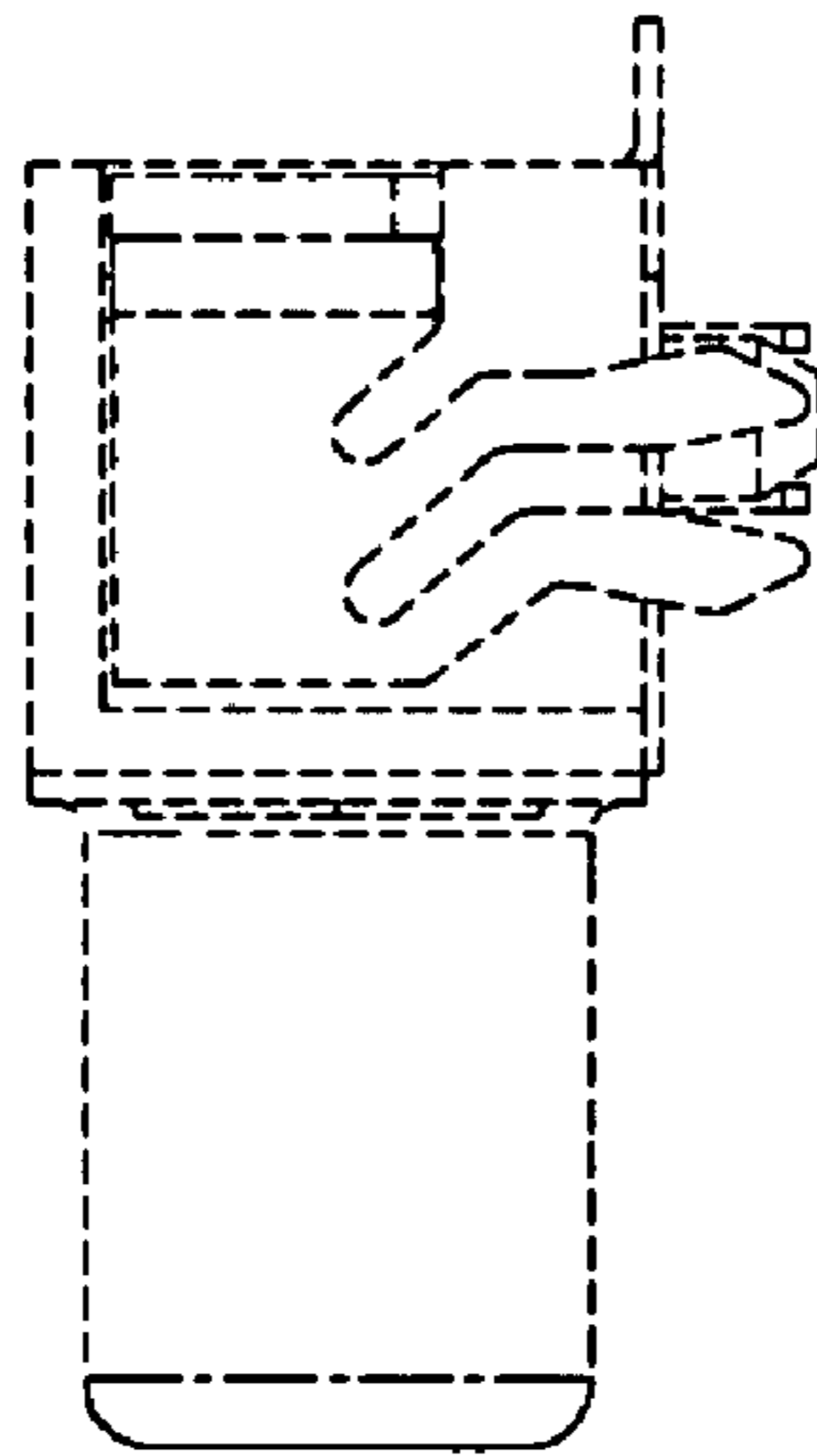


FIG. 12

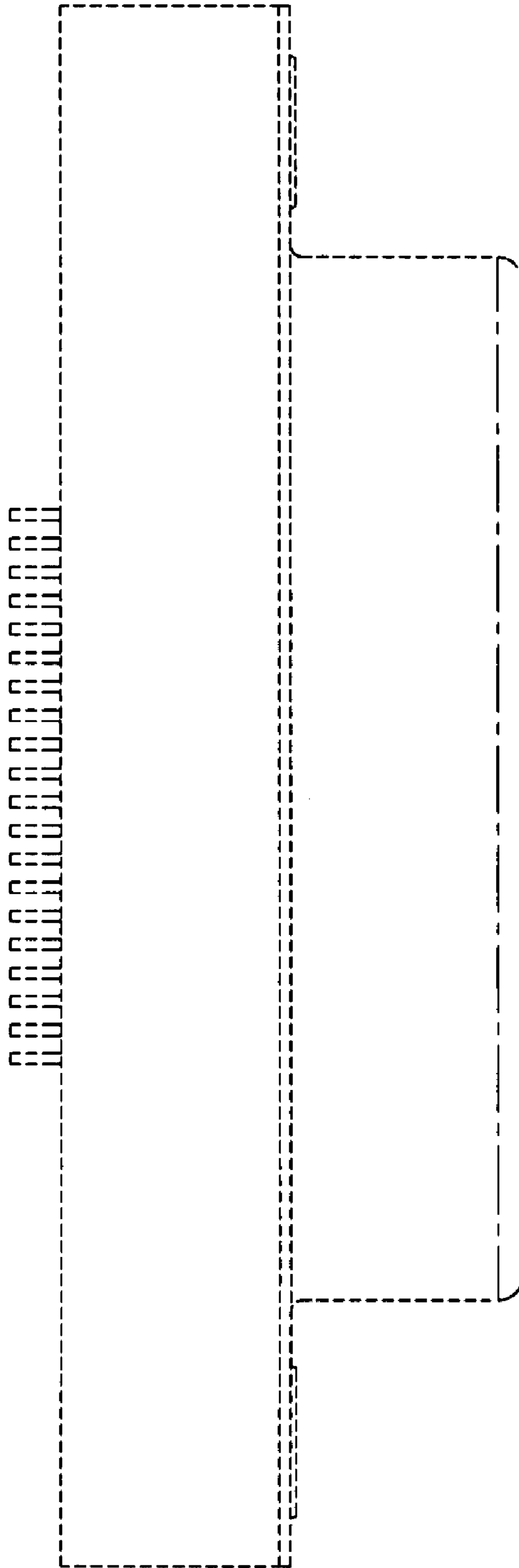


FIG. 13

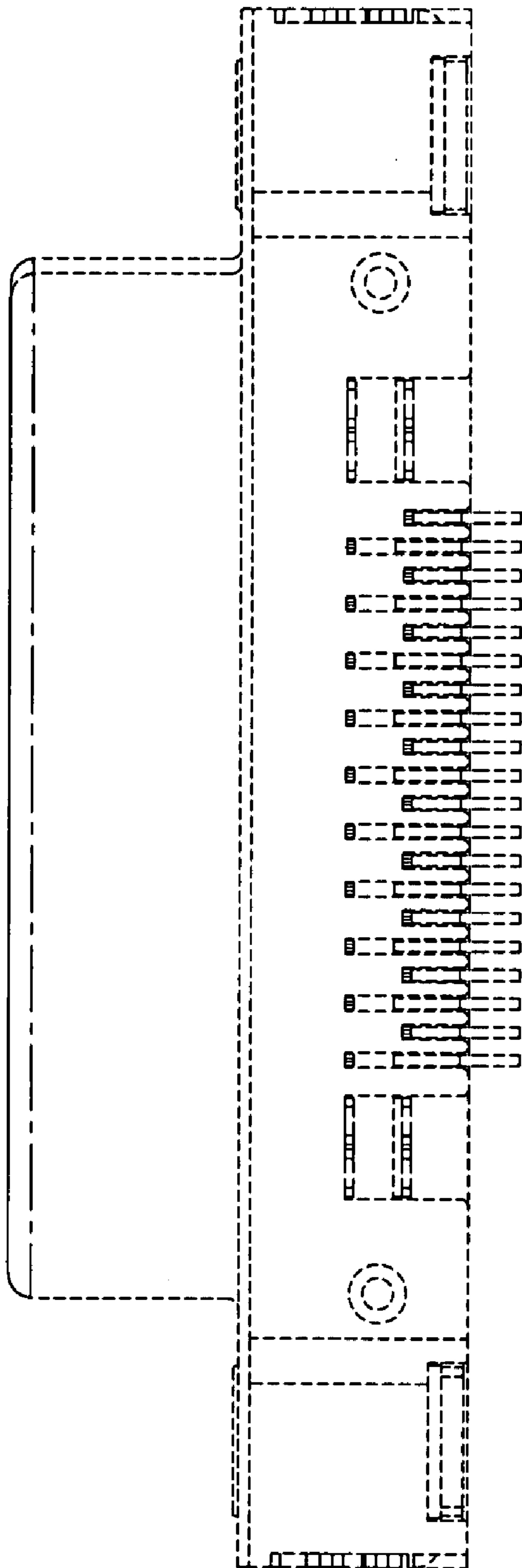


FIG. 14