



US00D558679S

(12) **United States Design Patent**  
**Chen et al.**

(10) **Patent No.:** **US D558,679 S**  
(45) **Date of Patent:** **\*\* Jan. 1, 2008**

(54) **INTERFACE OF AN ELECTRICAL CONNECTOR**

(75) Inventors: **Ran Chen**, Kunshan (CN); **Yu-Hua Mao**, Kunshan (CN)

(73) Assignee: **Hon Hai Precision Ind. Co., Ltd.**, Taipei Hsien (TW)

(\*\*) Term: **14 Years**

(21) Appl. No.: **29/245,513**

(22) Filed: **Dec. 23, 2005**

(30) **Foreign Application Priority Data**

Nov. 14, 2005 (TW) ..... 094306860

(51) **LOC (8) Cl.** ..... **13-03**

(52) **U.S. Cl.** ..... **D13/154; D13/147**

(58) **Field of Classification Search** ..... D13/133,  
D13/147, 154, 184, 199; 439/79, 95, 607-610,  
439/660, 637, 682, 686

See application file for complete search history.

(56) **References Cited**

**U.S. PATENT DOCUMENTS**

D410,897 S \* 6/1999 Huang ..... D13/147  
D455,719 S \* 4/2002 Wu ..... D13/147  
6,957,985 B1 \* 10/2005 Wang ..... 439/680  
D517,493 S \* 3/2006 Katoh ..... D13/147

D519,459 S \* 4/2006 Wang ..... D13/147  
D523,814 S \* 6/2006 Wang ..... D13/147  
2004/0224567 A1 \* 11/2004 Zhong et al. .... 439/701

\* cited by examiner

*Primary Examiner*—Daniel Bui

(74) *Attorney, Agent, or Firm*—Wei Te Chung

(57) **CLAIM**

The ornamental design for an interface of an electrical connector, as shown and described.

**DESCRIPTION**

FIG. 1 is a front, top and right side perspective view showing an interface electrical connector in accordance with our new design;

FIG. 2 is a front elevational view thereof;

FIG. 3 is a rear elevational view thereof;

FIG. 4 is a left side elevational view thereof;

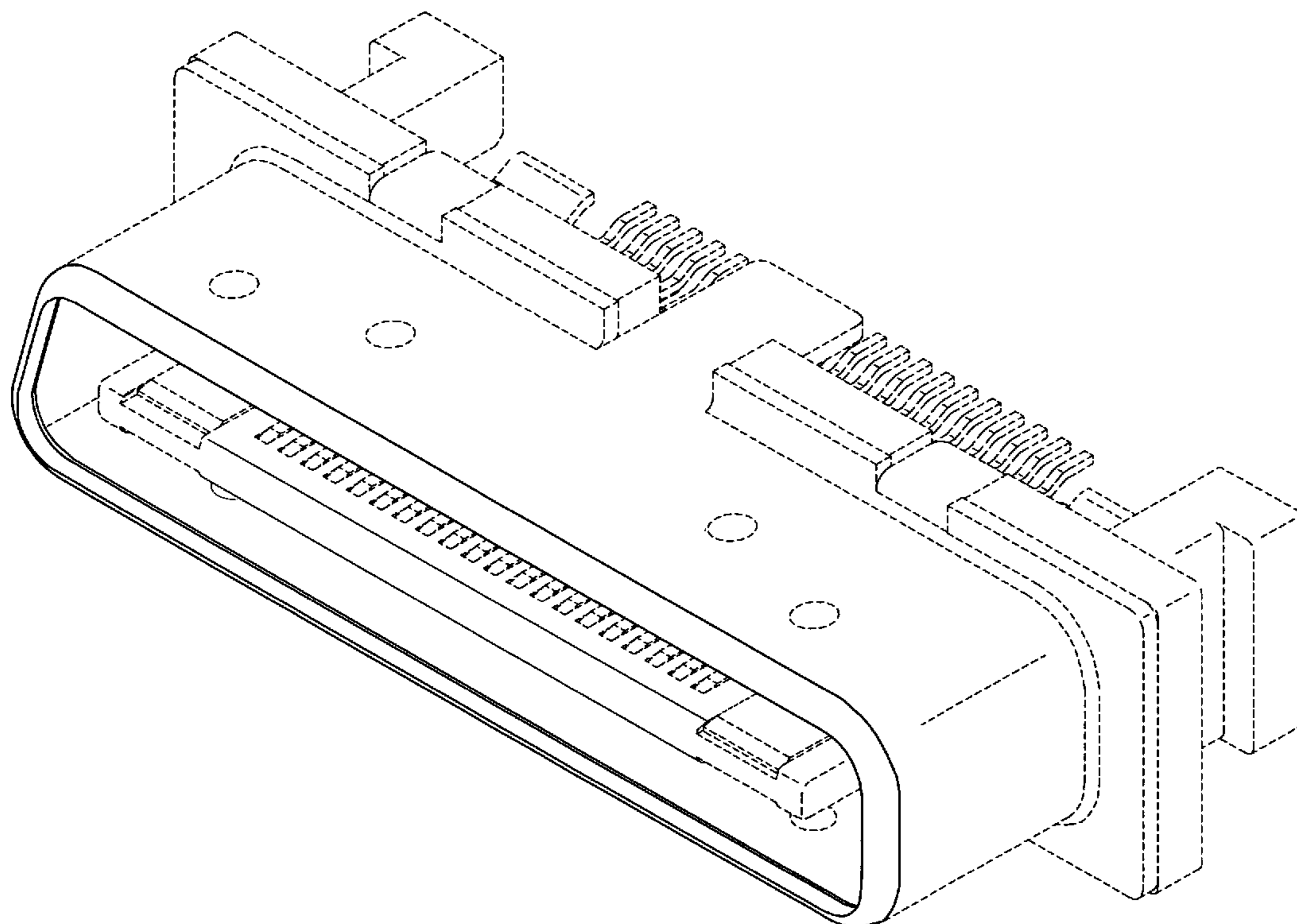
FIG. 5 is a right side elevational view thereof;

FIG. 6 is a top plan view thereof; and,

FIG. 7 is a bottom plan view thereof.

The broken line showing of the environment is for illustrative purposes forms no part of the claimed design. The dash-dot line represent the boundary of the claimed design.

**1 Claim, 7 Drawing Sheets**



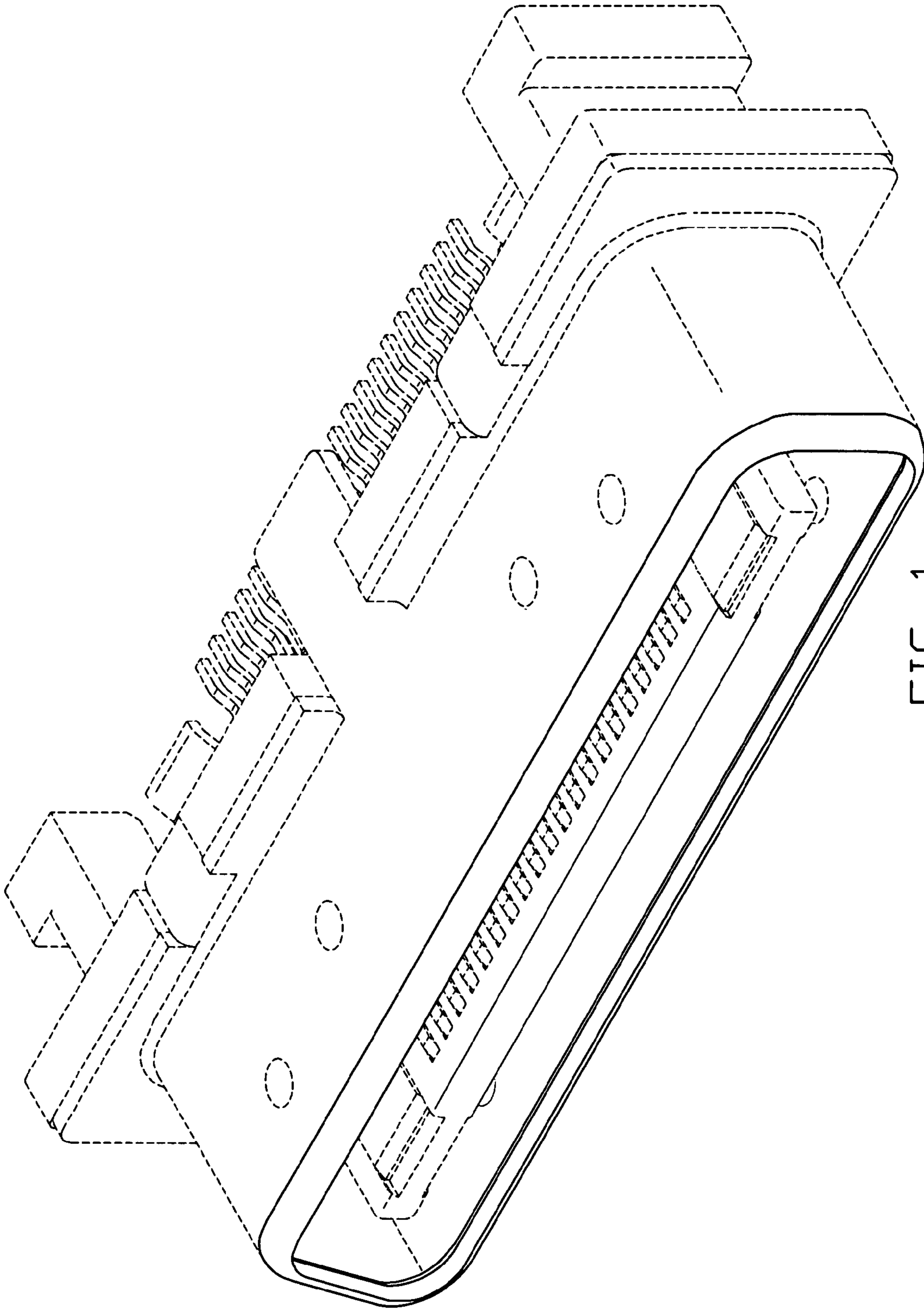


FIG. 1

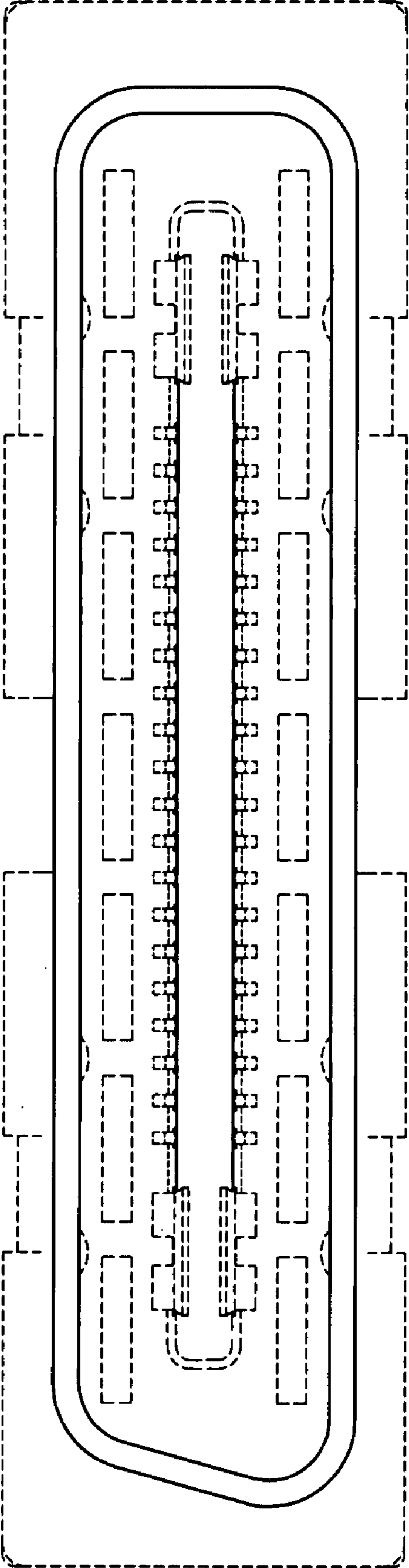


FIG. 2

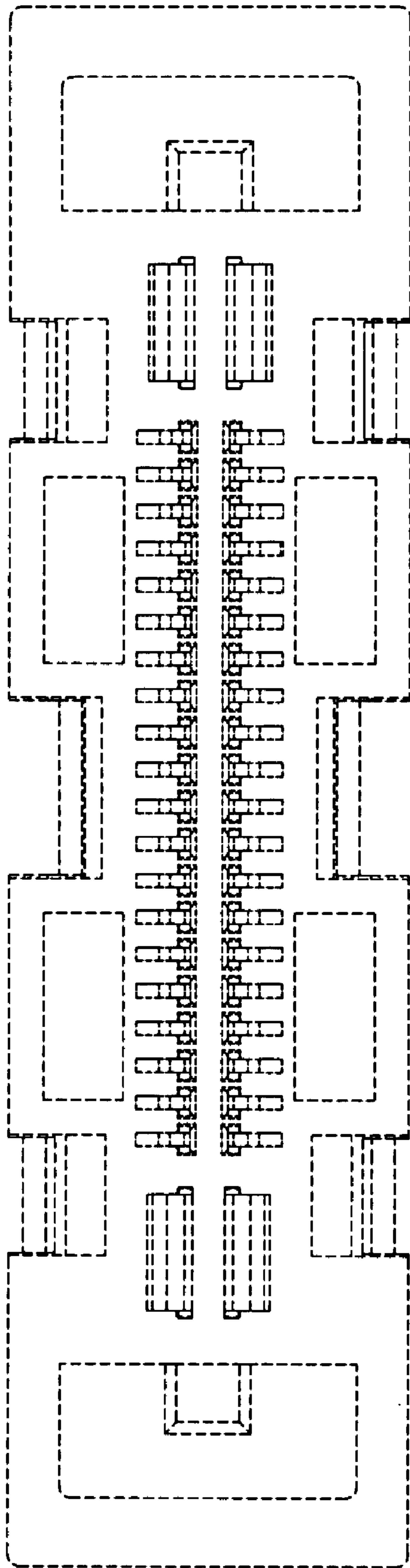


FIG. 3

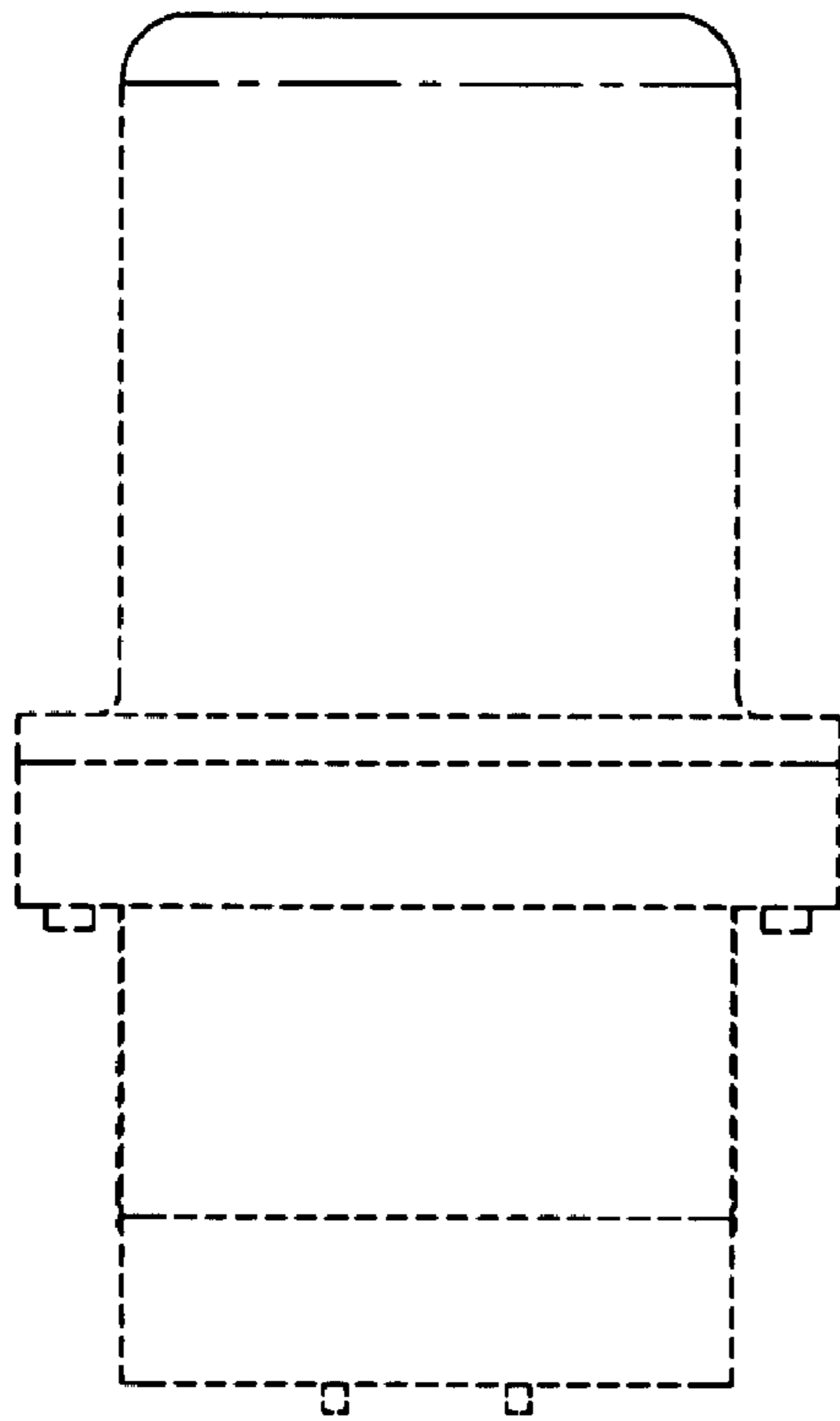


FIG. 4

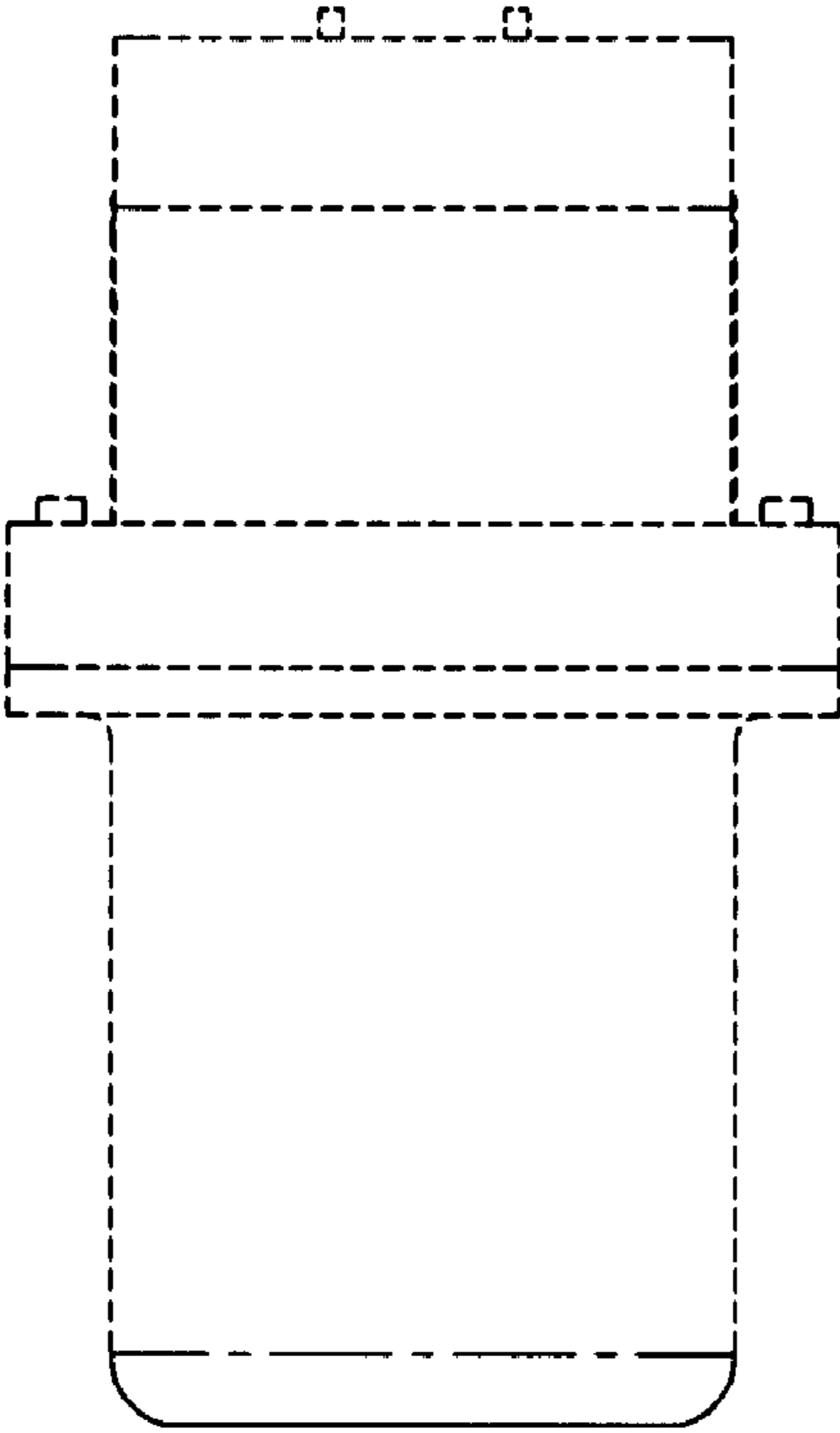


FIG. 5



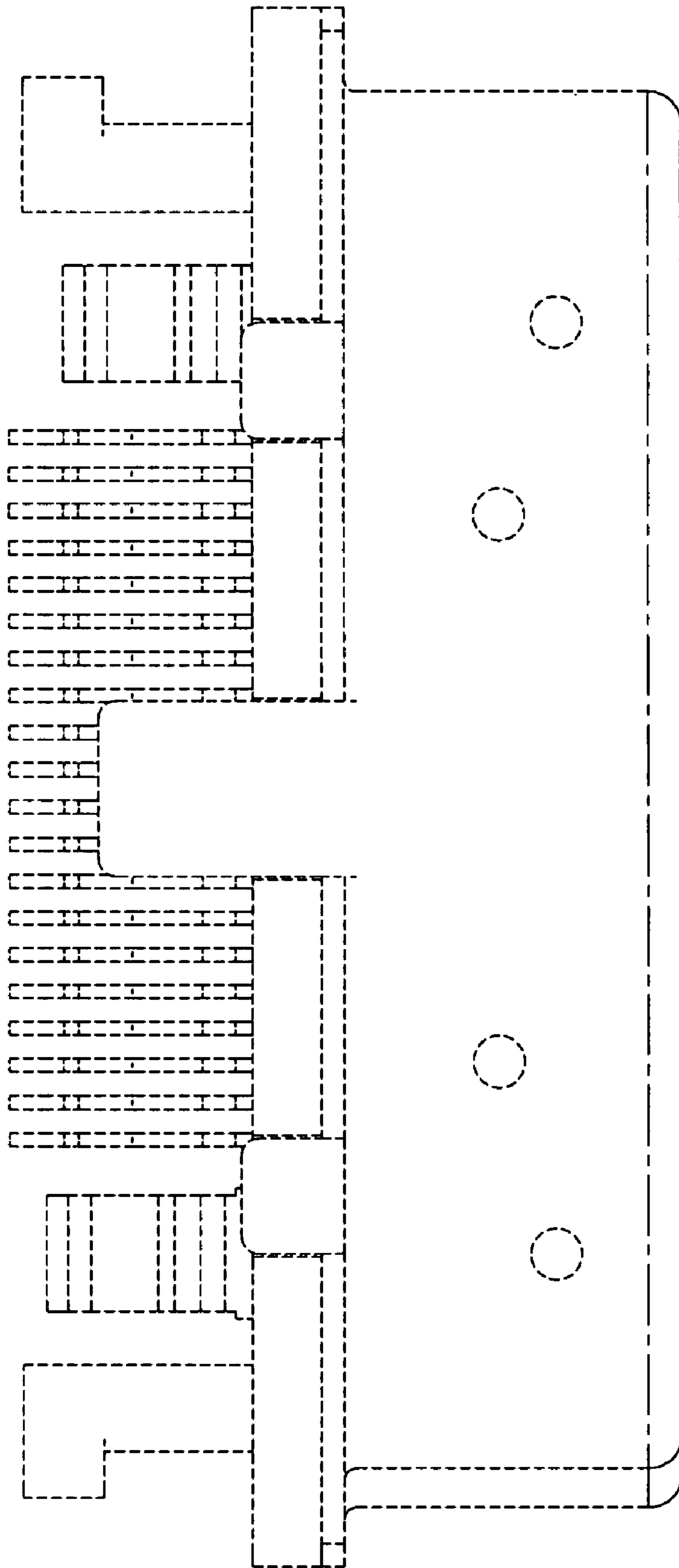


FIG. 6

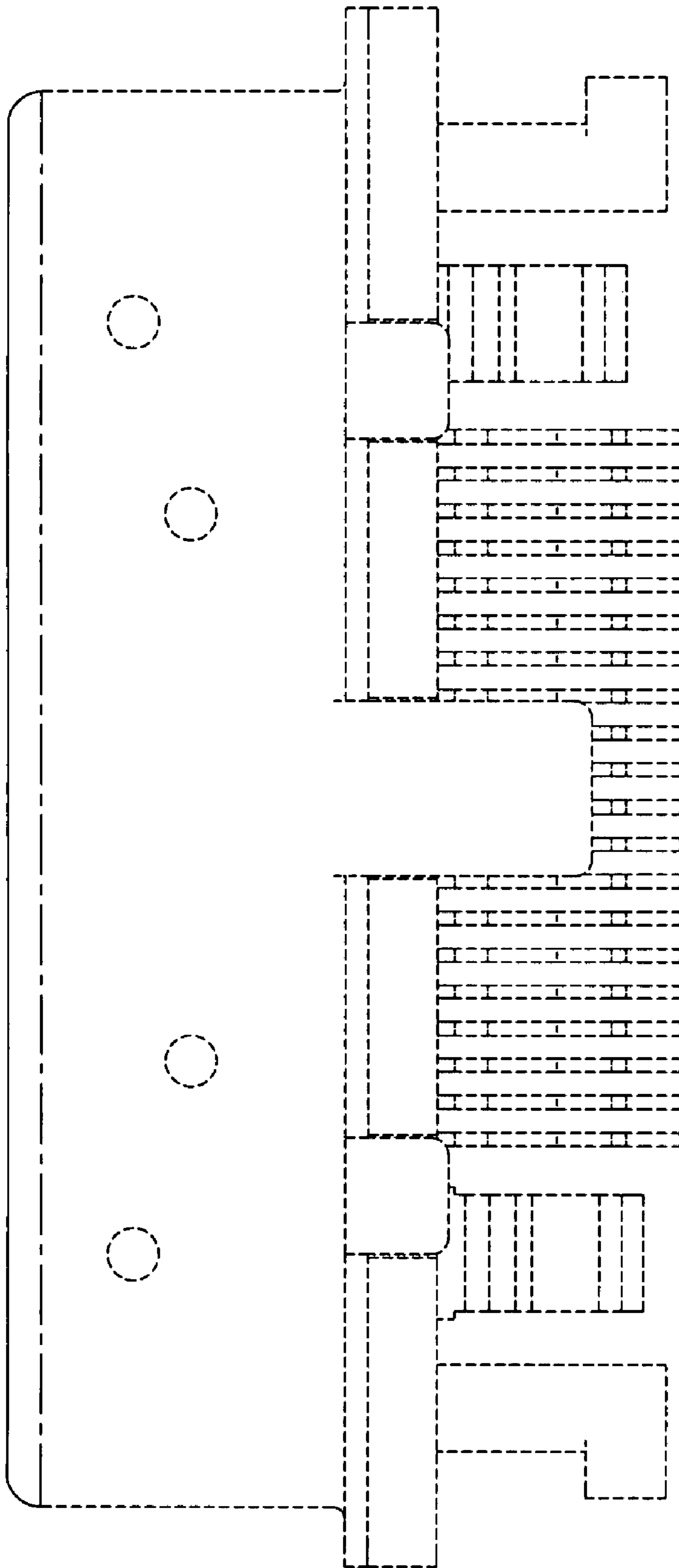


FIG. 7