



US00D558678S

(12) **United States Design Patent**
Han et al.

(10) **Patent No.:** **US D558,678 S**

(45) **Date of Patent:** **** Jan. 1, 2008**

(54) **ELECTRICAL CONNECTOR**

(75) Inventors: **Hong-Qiang Han**, Kunshan (CN);
Guo-Hua Zhang, Kunshan (CN)

(73) Assignee: **Hon Hai Precision Ind. Co., Ltd.**,
Taipei Hsien (TW)

(**) Term: **14 Years**

(21) Appl. No.: **29/240,077**

(22) Filed: **Oct. 6, 2005**

(30) **Foreign Application Priority Data**

Apr. 6, 2005 (CN) 2005 3 0082305

(51) **LOC (8) Cl.** **13-03**

(52) **U.S. Cl.** **D13/154; D13/133**

(58) **Field of Classification Search** D13/133,
D13/146-147, 154, 184, 199; 439/278, 607,
439/668-669, 894

See application file for complete search history.

(56) **References Cited**

U.S. PATENT DOCUMENTS

D432,083 S * 10/2000 Chang D13/133
D450,299 S * 11/2001 Ma et al. D13/133
D450,655 S * 11/2001 Cheng D13/133
D470,107 S * 2/2003 Li et al. D13/133

D534,123 S * 12/2006 Lin D13/133
D534,493 S * 1/2007 Lin D13/133
D534,494 S * 1/2007 Li D13/133
D534,864 S * 1/2007 Hu D13/133
D534,867 S * 1/2007 Xue et al. D13/133
D534,868 S * 1/2007 Lee D13/133

* cited by examiner

Primary Examiner—Daniel Bui

(74) *Attorney, Agent, or Firm*—Wei Te Chung

(57) **CLAIM**

The ornamental design for an electrical connector, as shown.

DESCRIPTION

FIG. 1 is a front, top and left side perspective view of an electrical connector showing our new design;

FIG. 2 is a front elevational view thereof;

FIG. 3 is a rear elevational view thereof;

FIG. 4 is a left side elevational view thereof;

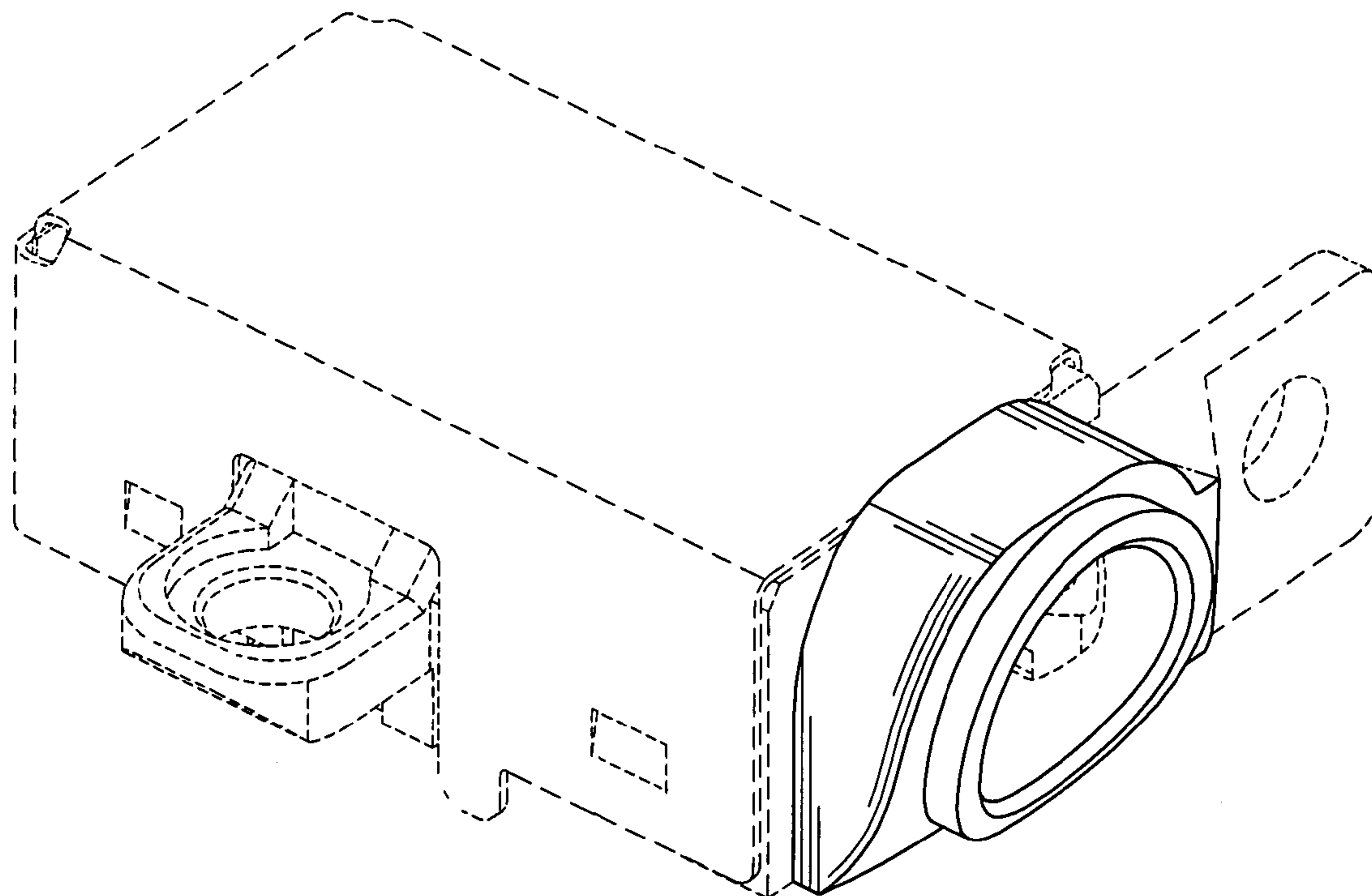
FIG. 5 is a right side elevational view thereof;

FIG. 6 is a top plan view thereof; and,

FIG. 7 is a bottom plan view thereof.

The broken line showing of the environment is for illustrative purposes only and forms no part of the claimed design.

1 Claim, 7 Drawing Sheets



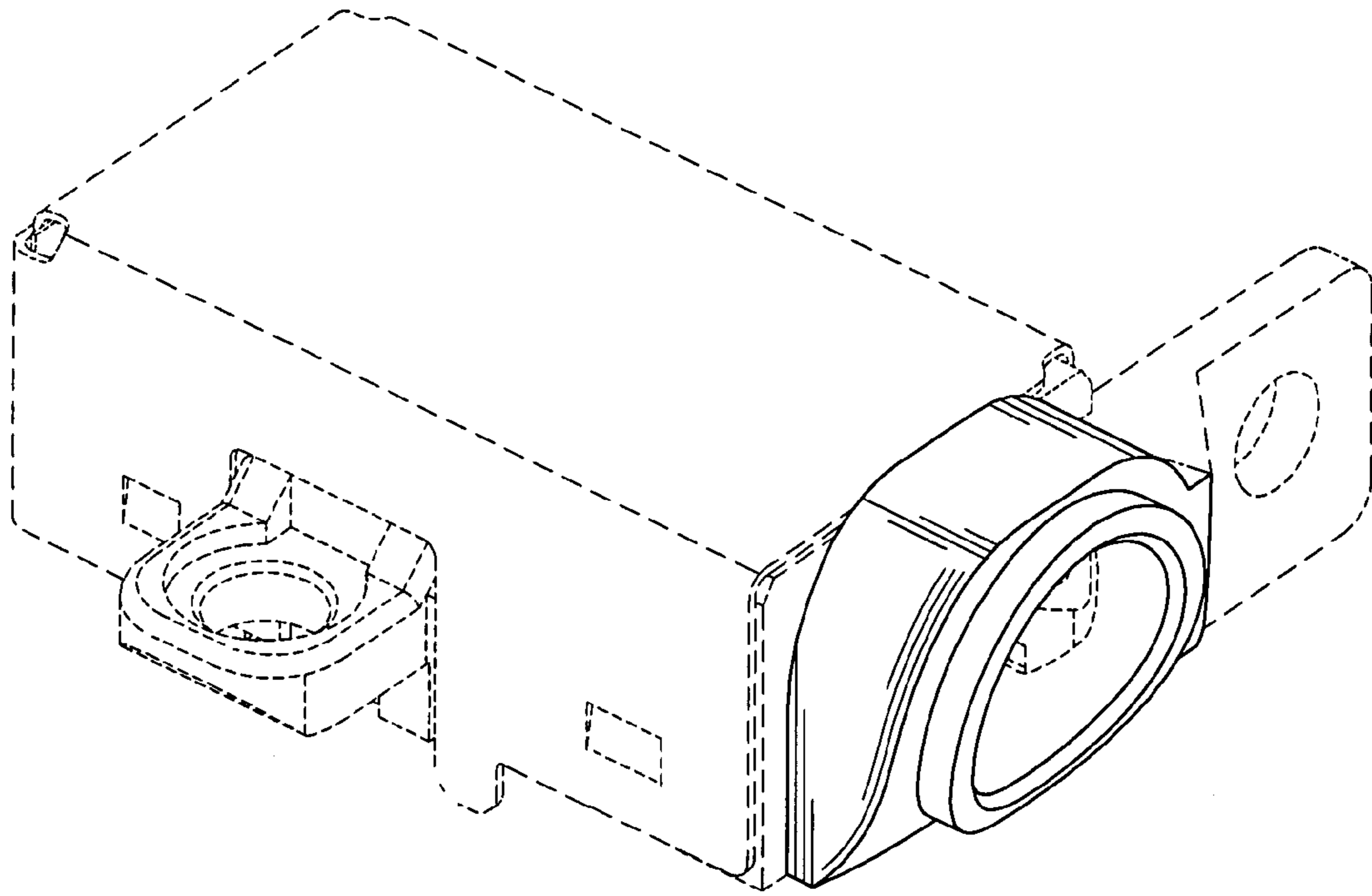


FIG. 1

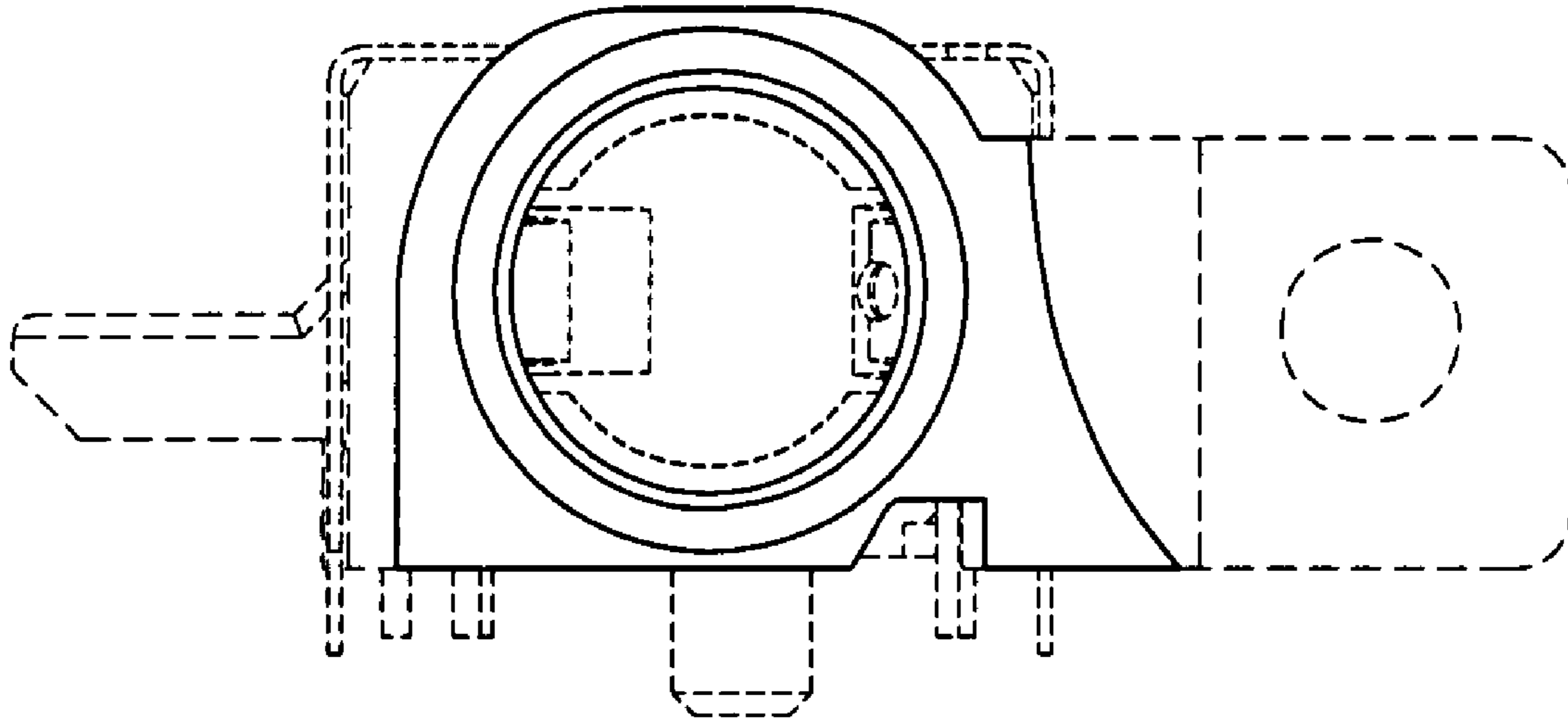


FIG. 2

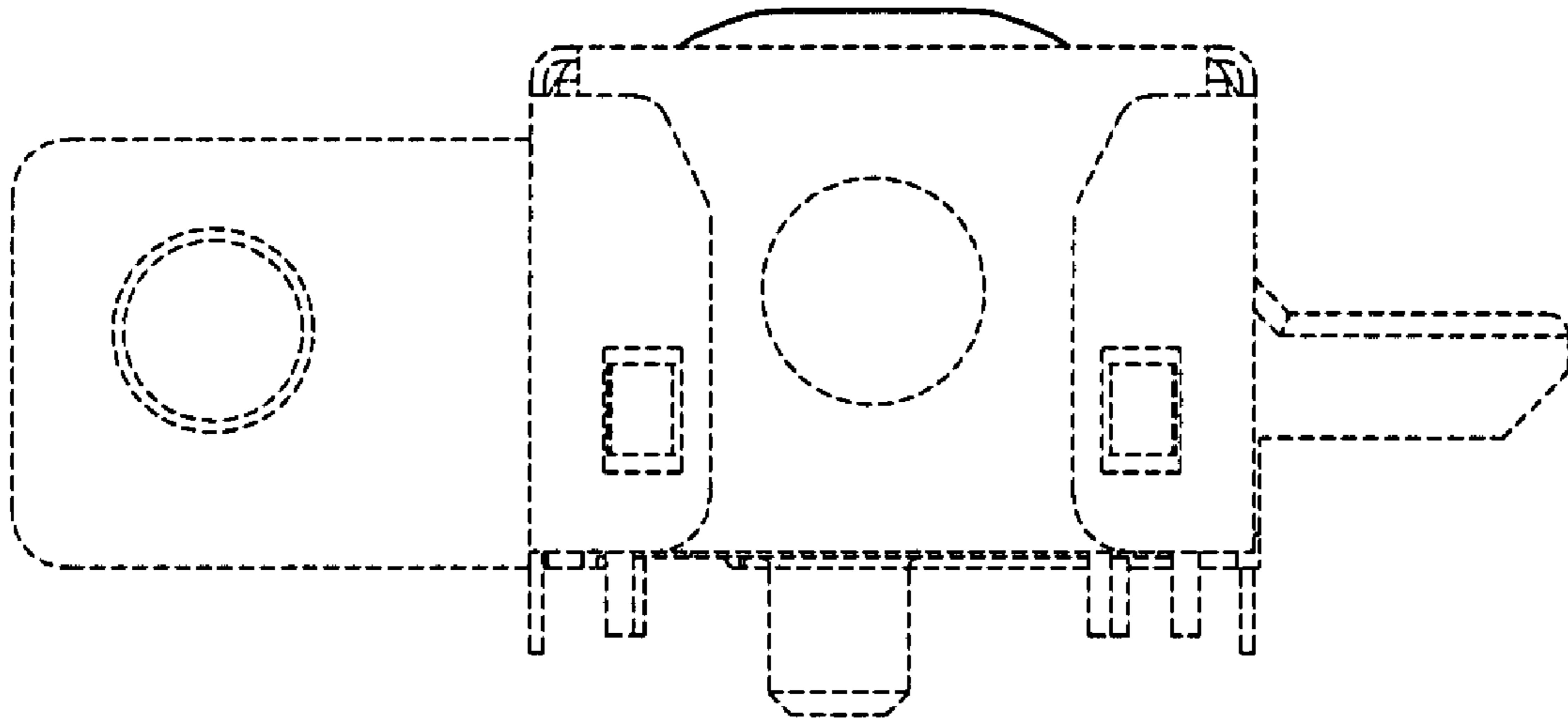


FIG. 3

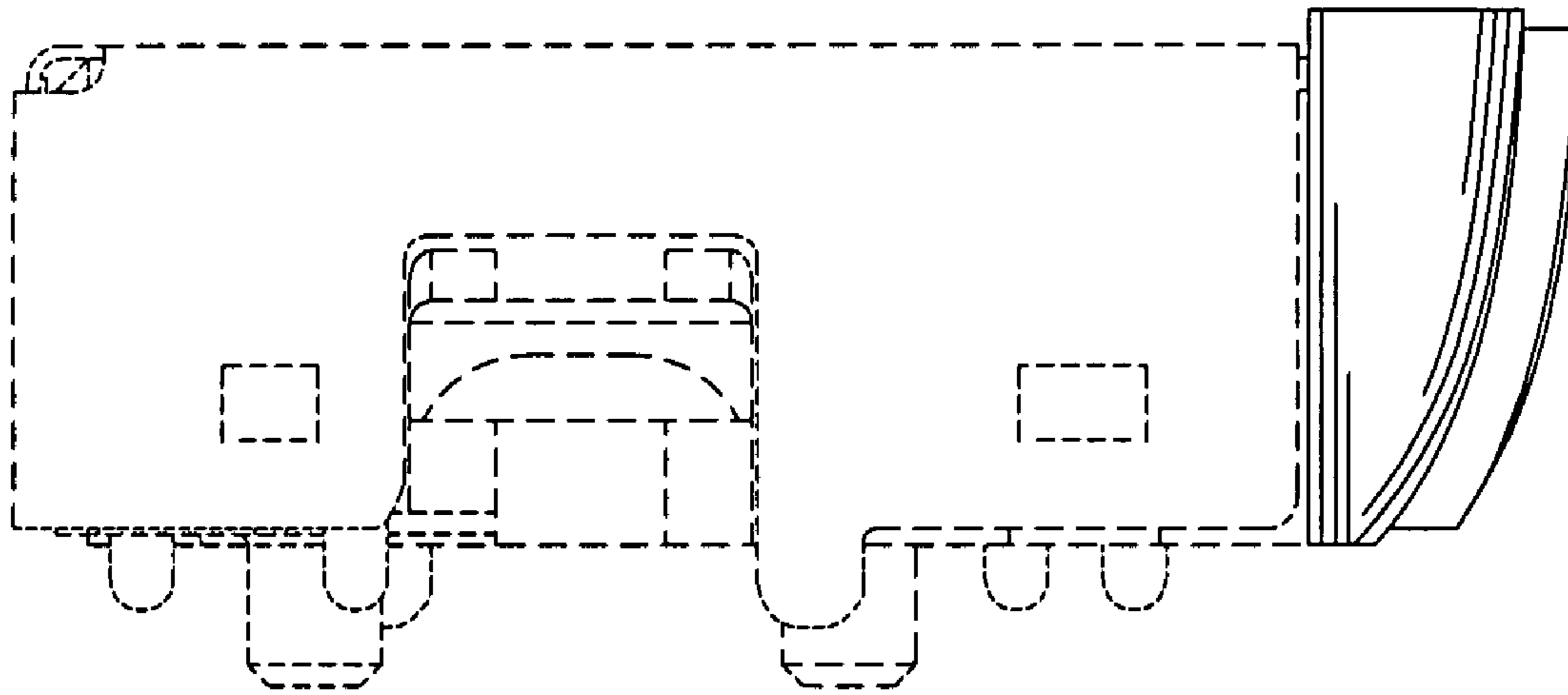


FIG. 4

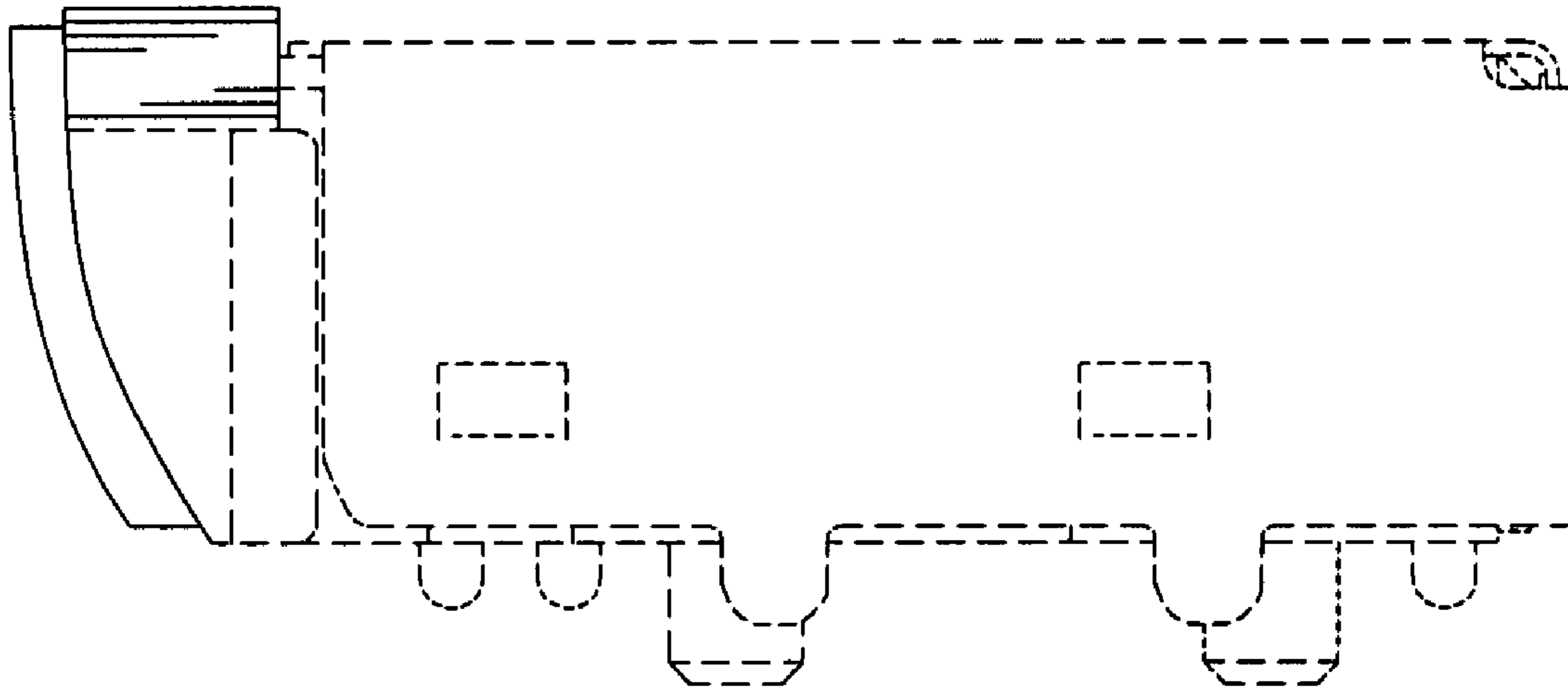


FIG. 5

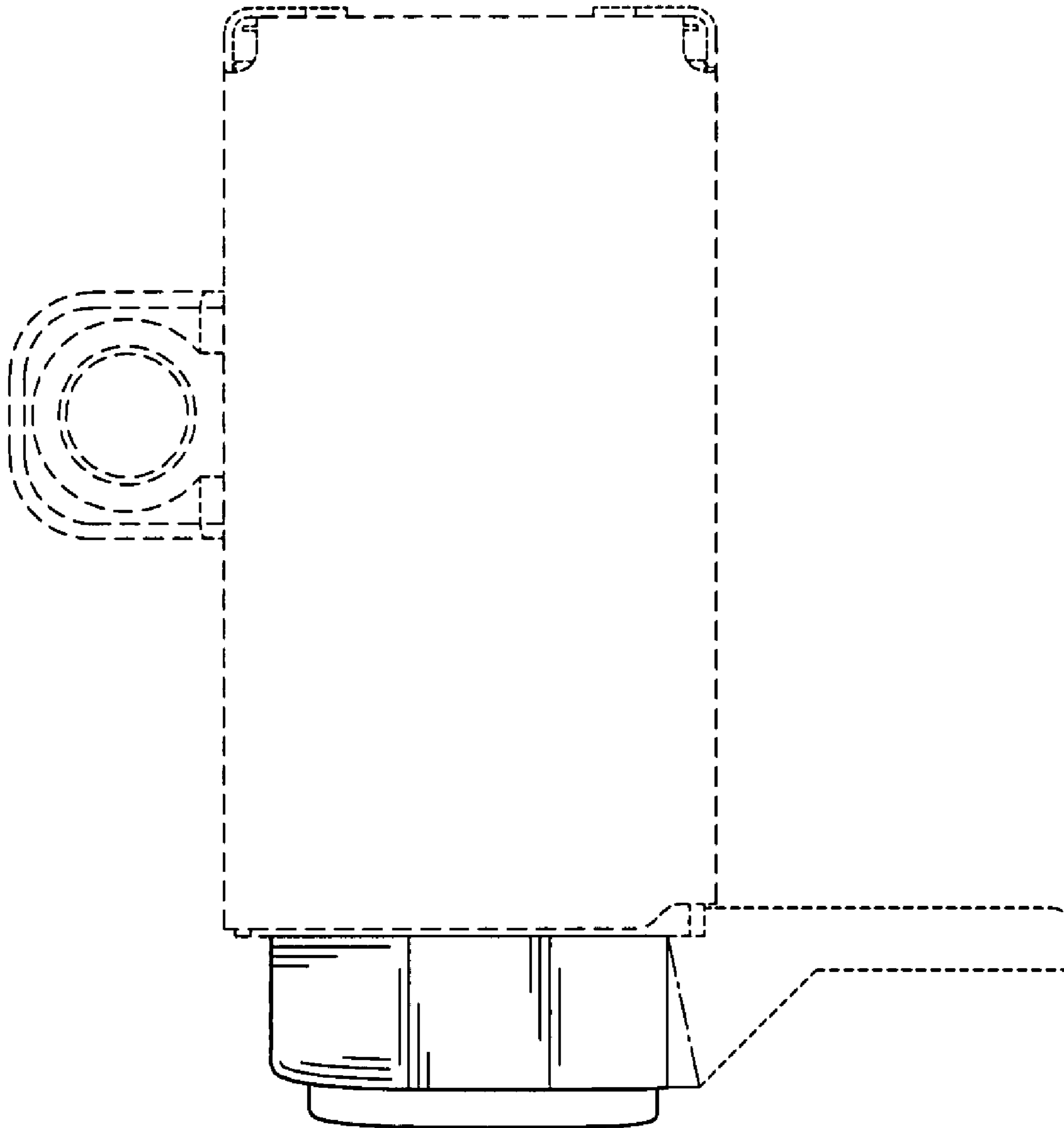


FIG. 6

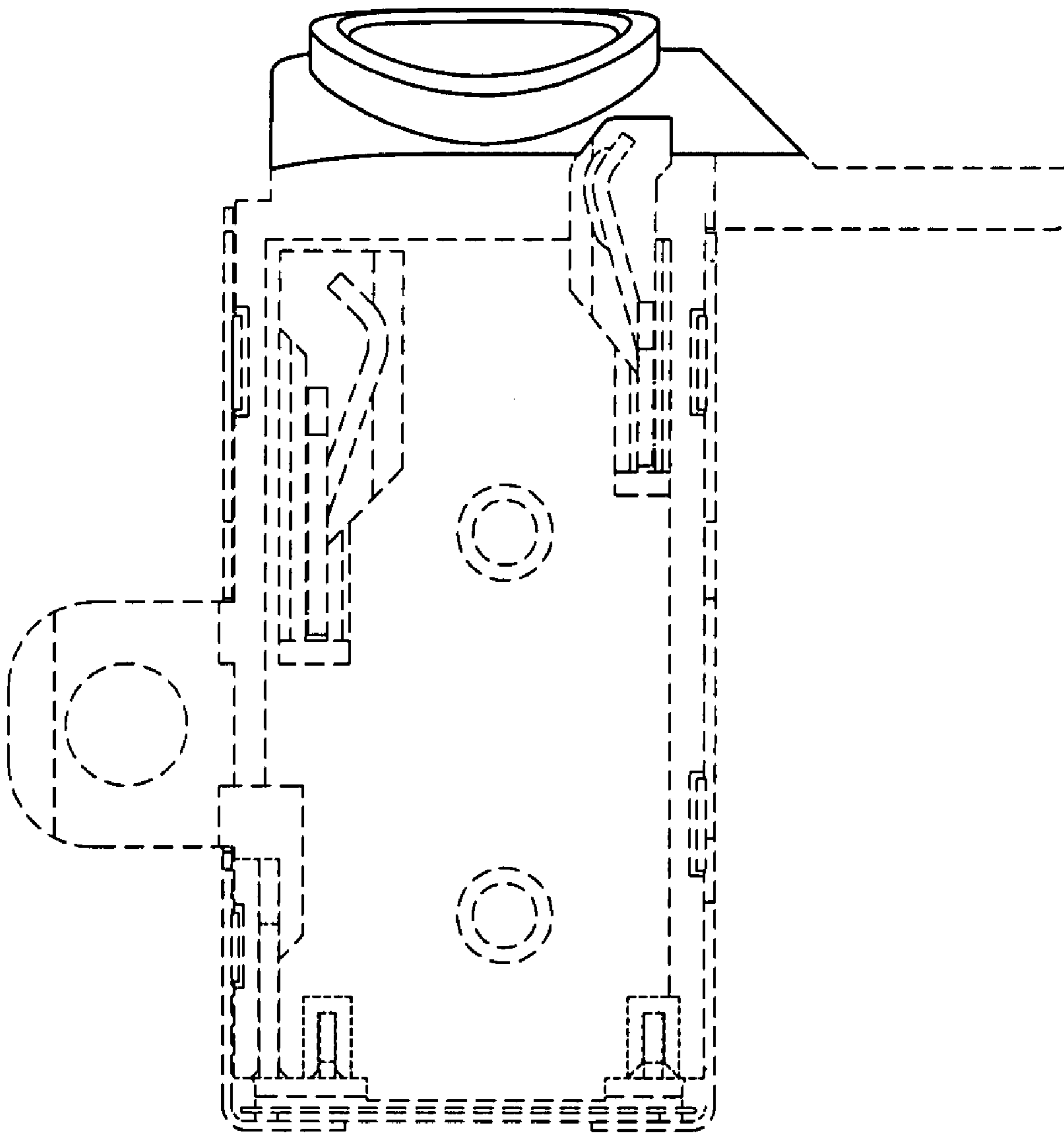


FIG. 7