



US00D558676S

(12) **United States Design Patent** (10) **Patent No.:** **US D558,676 S**
Fort et al. (45) **Date of Patent:** **** Jan. 1, 2008**

(54) **PORTION OF A DECORATOR RECEPTACLE**

D272,619 S * 2/1984 Elmenyawli D13/177
4,518,945 A 5/1985 Doyle et al.
4,631,354 A 12/1986 Boteler
4,774,384 A 9/1988 Gregory

(75) Inventors: **Tucker H. Fort**, New York, NY (US);
Mark B. Greenwald, Westport, CT
(US); **Jean Claude Marcou**, Limoges
(FR); **Jay J. Mendelson**, Hartsdale, NY
(US)

(Continued)

OTHER PUBLICATIONS

(73) Assignee: **Cooper Wiring Devices, Inc.**, Houston,
TX (US)

Installation and Operating Instructions for IMPRESSIONS 3-Key
Incandescent Touch Dimmers, Pass & Seymour, May 1992.

(Continued)

(**) Term: **14 Years**

Primary Examiner—M. H. Tung

(21) Appl. No.: **29/243,099**

Assistant Examiner—Rosemary K. Tarcza

(22) Filed: **Nov. 18, 2005**

(74) *Attorney, Agent, or Firm*—SAIDMAN DesignLaw
Group

Related U.S. Application Data

(57) **CLAIM**

(60) Continuation of application No. 29/231,901, filed on
Jun. 11, 2005, now Pat. No. Des. 517,010, which is a
division of application No. 29/193,480, filed on Nov.
10, 2003, now Pat. No. Des. 512,377.

The ornamental design for a portion of a decorator recep-
tacle, as shown and described.

DESCRIPTION

(51) **LOC (8) Cl.** **13-03**

FIG. 1 is a front, bottom and right side perspective view of
the design;

(52) **U.S. Cl.** **D13/139.3**

FIG. 2 is a front view thereof;

(58) **Field of Classification Search** . D13/137.1–137.4,
D13/139.1–139.8, 177; D6/300, 301, 310;
D8/350, 353; D11/132, 140; D12/193; D20/13,
D20/15, 27; 174/50–51, 53–55, 58, 66–67
See application file for complete search history.

FIG. 3 is a right side view thereof;

FIG. 4 is a left side view thereof;

FIG. 5 is a top plan view thereof;

FIG. 6 is a bottom plan view thereof;

(56) **References Cited**

FIG. 7 is a front, bottom and right side perspective view of
the design in combination with a wall plate; and,

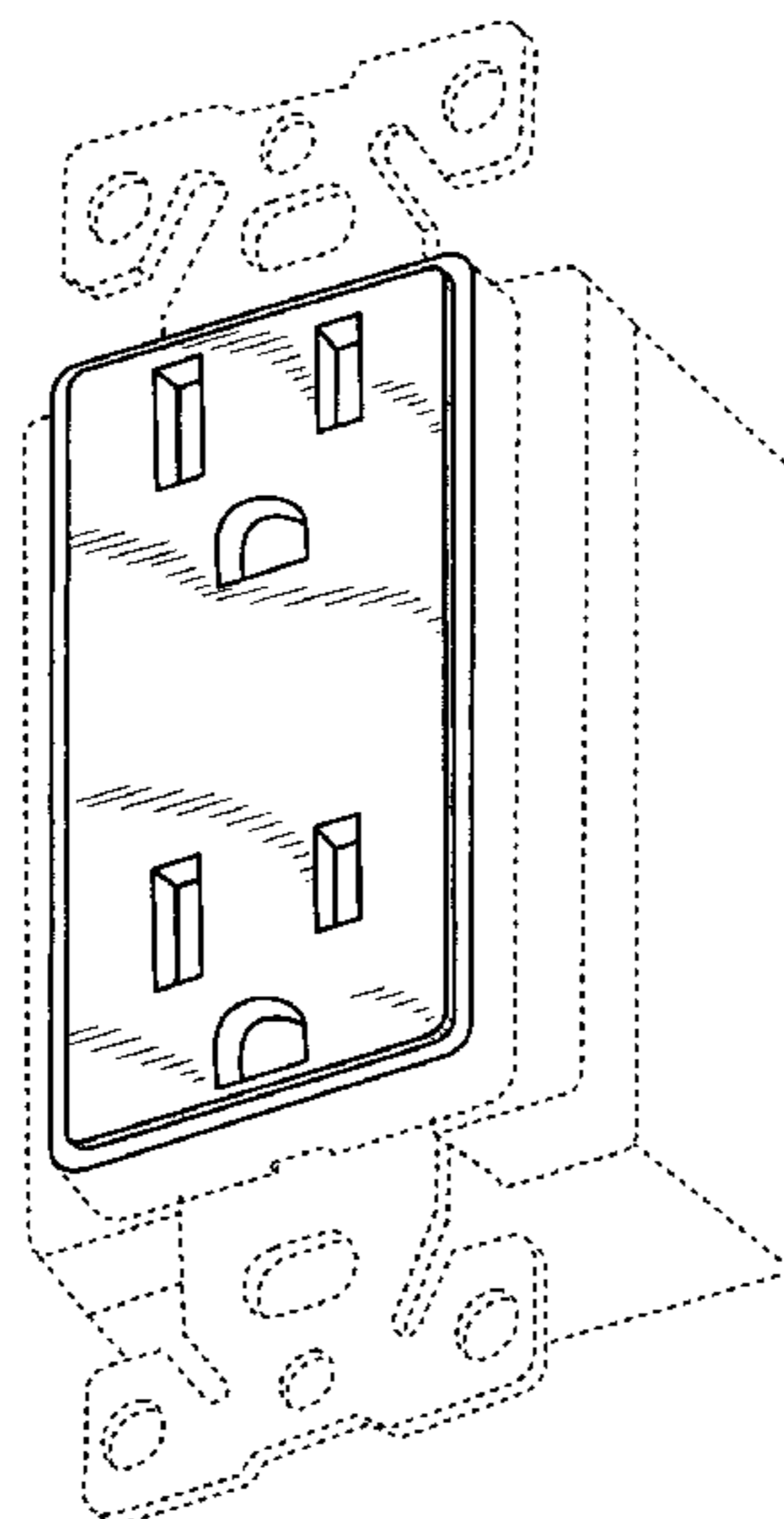
U.S. PATENT DOCUMENTS

D37,307 S * 1/1905 Collins D6/300
2,141,936 A * 12/1938 Schmitt 200/304
D261,135 S * 10/1981 Horne D13/152
D269,341 S 6/1983 Doyle et al.
D269,429 S 6/1983 Doyle et al.
D269,430 S 6/1983 Doyle et al.
D269,510 S * 6/1983 Doyle et al. D13/139.3
D271,869 S 12/1983 Doyle et al.

FIG. 8 is a front view of an alternative embodiment of the
design.

In all views, the dotted lines are for environmental purposes
only and form no part of the claimed design. The rear is not
part of the claimed design.

1 Claim, 5 Drawing Sheets



US D558,676 S

Page 2

U.S. PATENT DOCUMENTS

4,802,052 A 1/1989 Brant et al.
4,835,343 A 5/1989 Graef et al.
D307,676 S * 5/1990 Davis D6/310
D308,045 S 5/1990 Counts et al.
D310,819 S 9/1990 Watson et al.
D318,848 S 8/1991 Scholl
5,073,681 A 12/1991 Hubben et al.
D327,212 S * 6/1992 Hubben et al. D8/353
D346,949 S 5/1994 Comerci et al.
D350,530 S 9/1994 Comerci et al.
5,434,740 A * 7/1995 Chan 361/118
D380,453 S * 7/1997 Krajci et al. D13/177
D405,760 S 2/1999 Yu
5,933,063 A 8/1999 Keung et al.
D414,745 S 10/1999 Schmitt
D430,539 S 9/2000 Lepold et al.
6,184,466 B1 2/2001 Eder et al.

D450,665 S 11/2001 Isely et al.
D466,085 S 11/2002 Heggem
D505,395 S * 5/2005 Fort et al. D13/170
D509,127 S * 9/2005 Millward et al. D8/350
D512,377 S * 12/2005 Fort et al. D13/139.3
D516,512 S * 3/2006 Adams et al. D13/139.1

OTHER PUBLICATIONS

IMPRESSIONS Electrical Wiring Devices and Accessories, Pass & Seymour, Apr. 1991.

Catalog for LEVITON Wiring Devices for Construction and Maintenance, Leviton Manufacturing Co., Inc. (2000).

LUTRON Residential Lighting Controls Catalog. pp. 70-73, Lutron Electronics Co., Inc. (2001).

Two color photographs of Leviton Centura, circa 1970's.

* cited by examiner

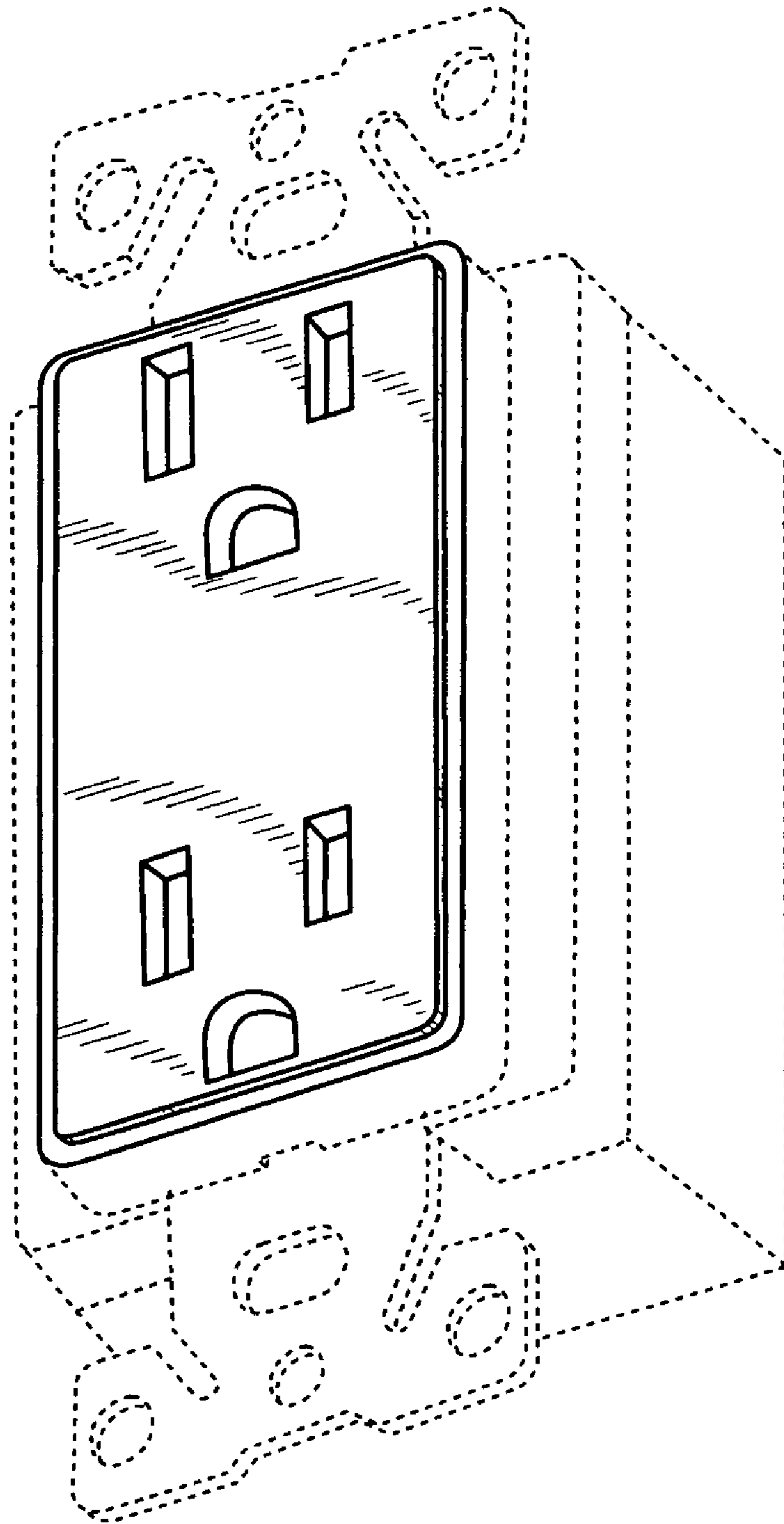


Fig. 1

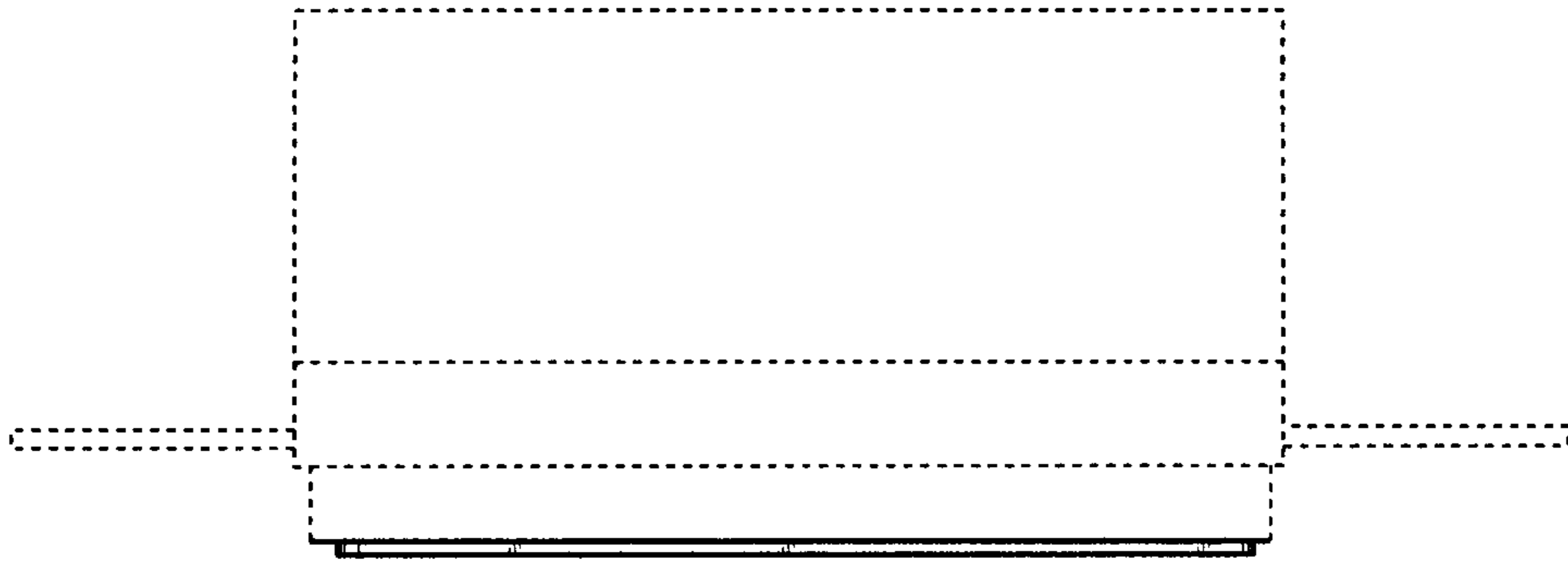


Fig. 3

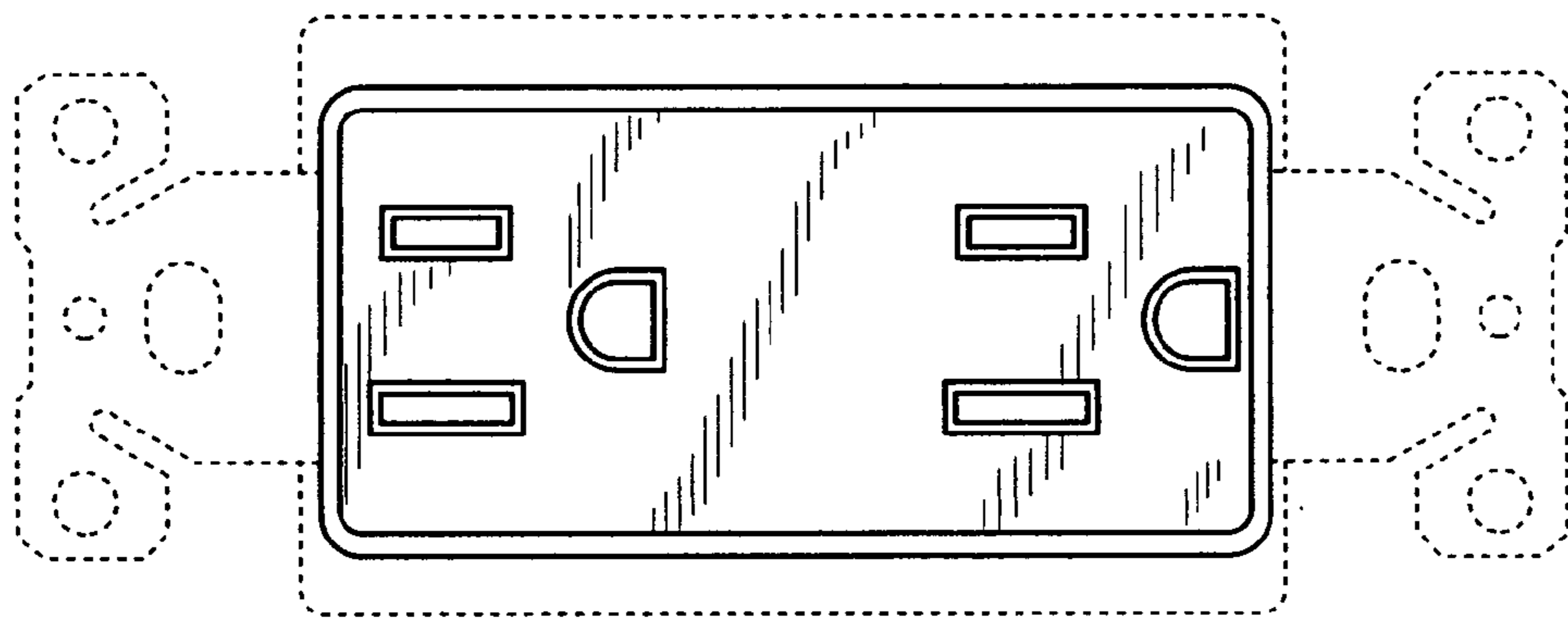


Fig. 2

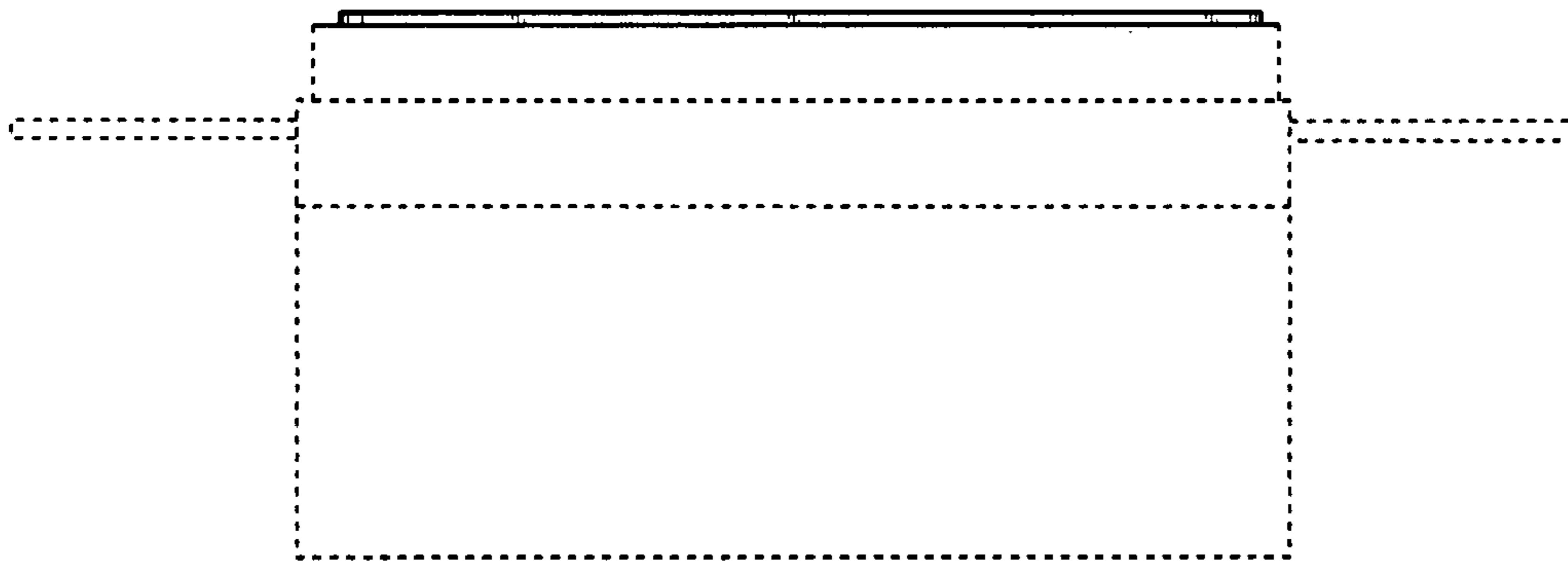


Fig. 4

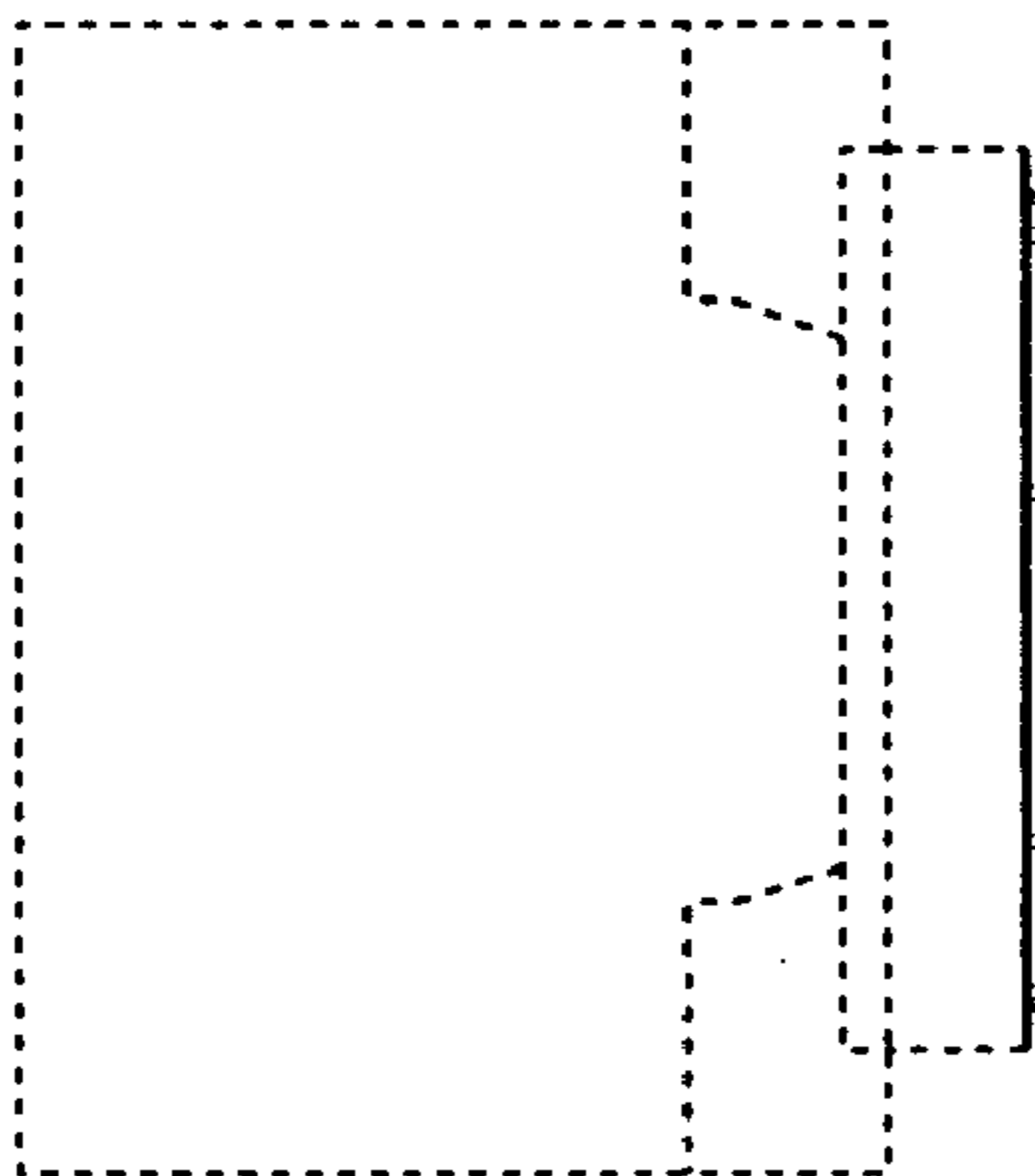


Fig. 5

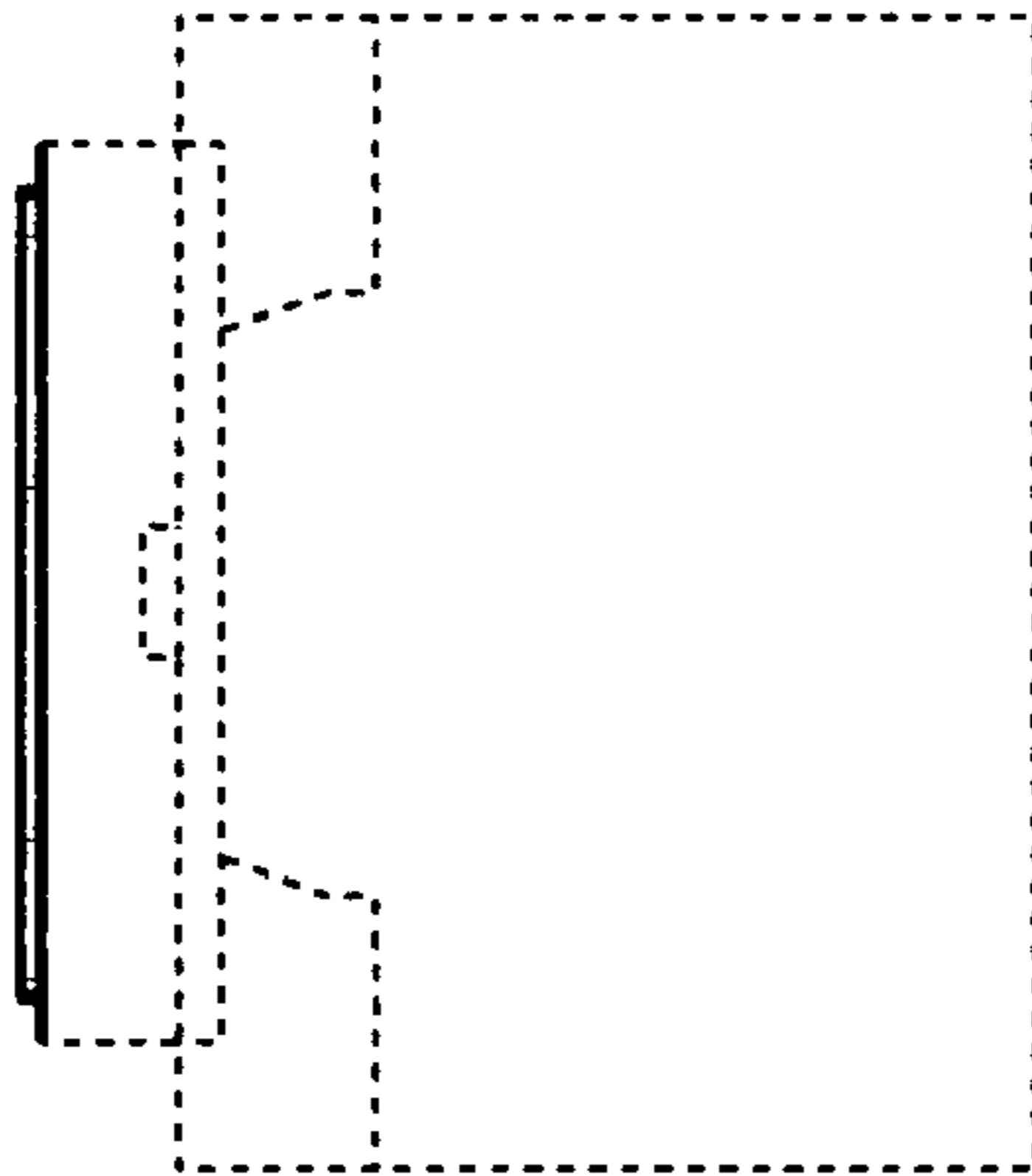


Fig. 6

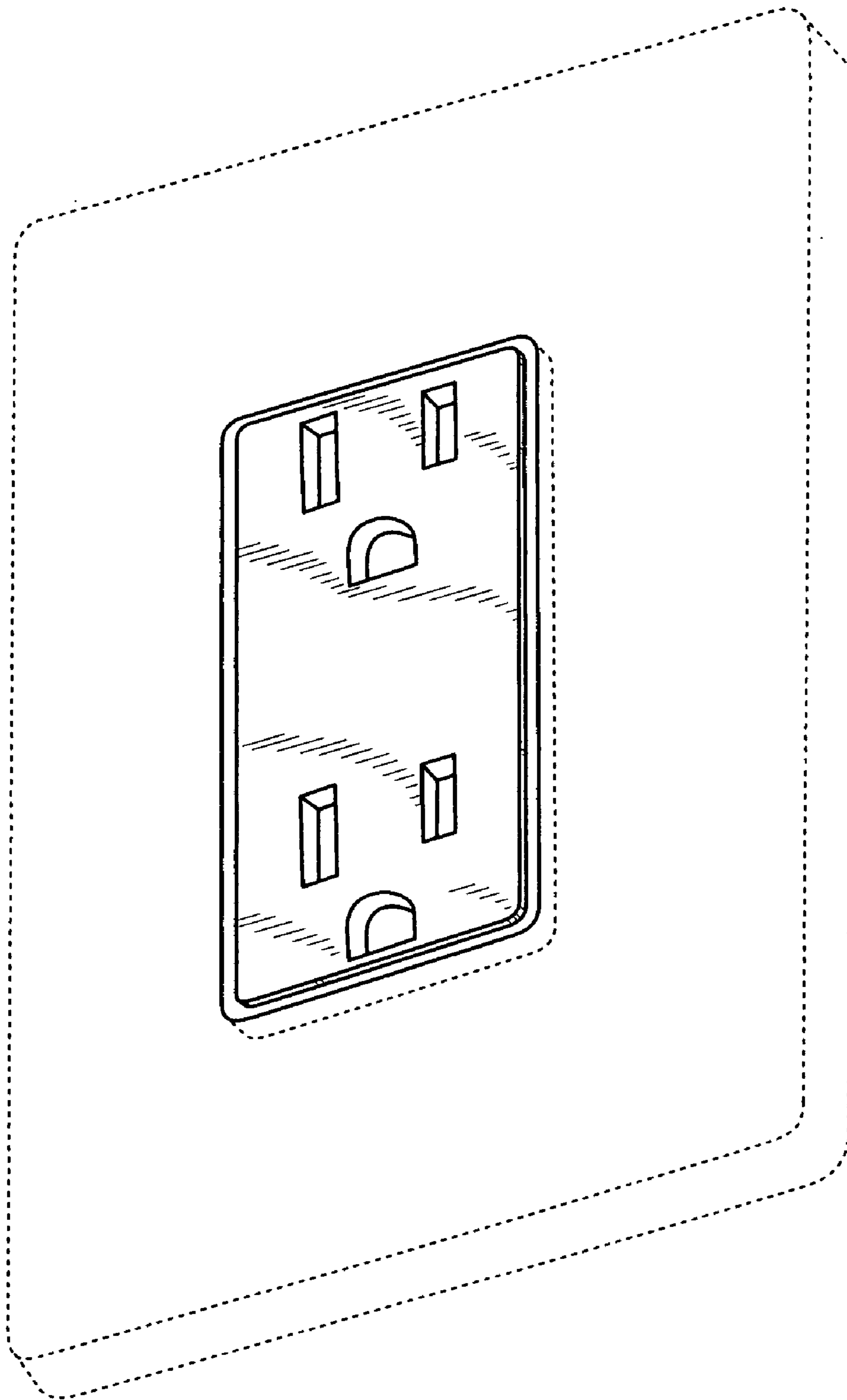


Fig. 7

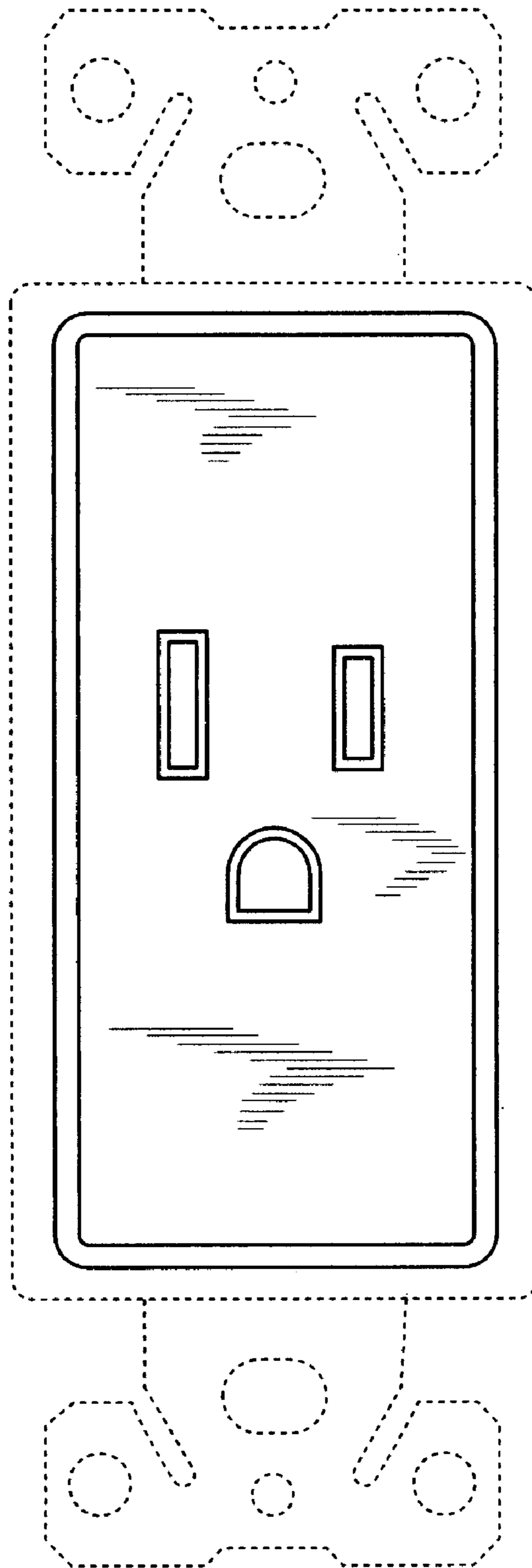


Fig. 8