



US00D558675S

(12) **United States Design Patent**  
**Chien et al.**

(10) **Patent No.:** **US D558,675 S**  
(45) **Date of Patent:** **\*\* Jan. 1, 2008**

(54) **AUDIO JACK CONNECTOR**

(75) Inventors: **Min-Lung Chien**, Hsin-Tien (TW);  
**Kai-Ray Cheng**, Hsin-Tien (TW); **Jian Cheng**, Hsin-Tien (TW)

(73) Assignee: **Advanced Connectek Inc.**, Taipei Hsien (TW)

(\*\*) Term: **14 Years**

(21) Appl. No.: **29/271,047**

(22) Filed: **Jan. 9, 2007**

(51) **LOC (8) Cl.** ..... **13-03**

(52) **U.S. Cl.** ..... **D13/133**

(58) **Field of Classification Search** ..... D13/133,  
D13/146-147, 154, 184, 199; 439/278, 607,  
439/668-669, 894

See application file for complete search history.

(56) **References Cited**

**U.S. PATENT DOCUMENTS**

5,092,795	A	*	3/1992	Kitagawa	.....	439/668
D345,546	S	*	3/1994	Lin et al.	.....	D13/133
D451,472	S	*	12/2001	Suzuki	.....	D13/133
D470,107	S	*	2/2003	Li et al.	.....	D13/133
D507,531	S	*	7/2005	Suzuki	.....	D13/133
D533,504	S	*	12/2006	Lee	.....	D13/133

D533,835	S	*	12/2006	Lee	.....	D13/133
D534,868	S	*	1/2007	Lee	.....	D13/133
2003/0100227	A1	*	5/2003	Yeh	.....	439/668
2005/0009407	A1	*	1/2005	Wang	.....	439/668

\* cited by examiner

*Primary Examiner*—Daniel Bui

(74) *Attorney, Agent, or Firm*—William E. Pelton, Esq.;  
Cooper & Dunham LLP

(57) **CLAIM**

The ornamental design for an audio jack connector, as shown.

**DESCRIPTION**

FIG. 1 is a perspective view of an audio jack connector showing our new design;

FIG. 2 is a front view thereof;

FIG. 3 is a rear view thereof;

FIG. 4 is a left side view thereof;

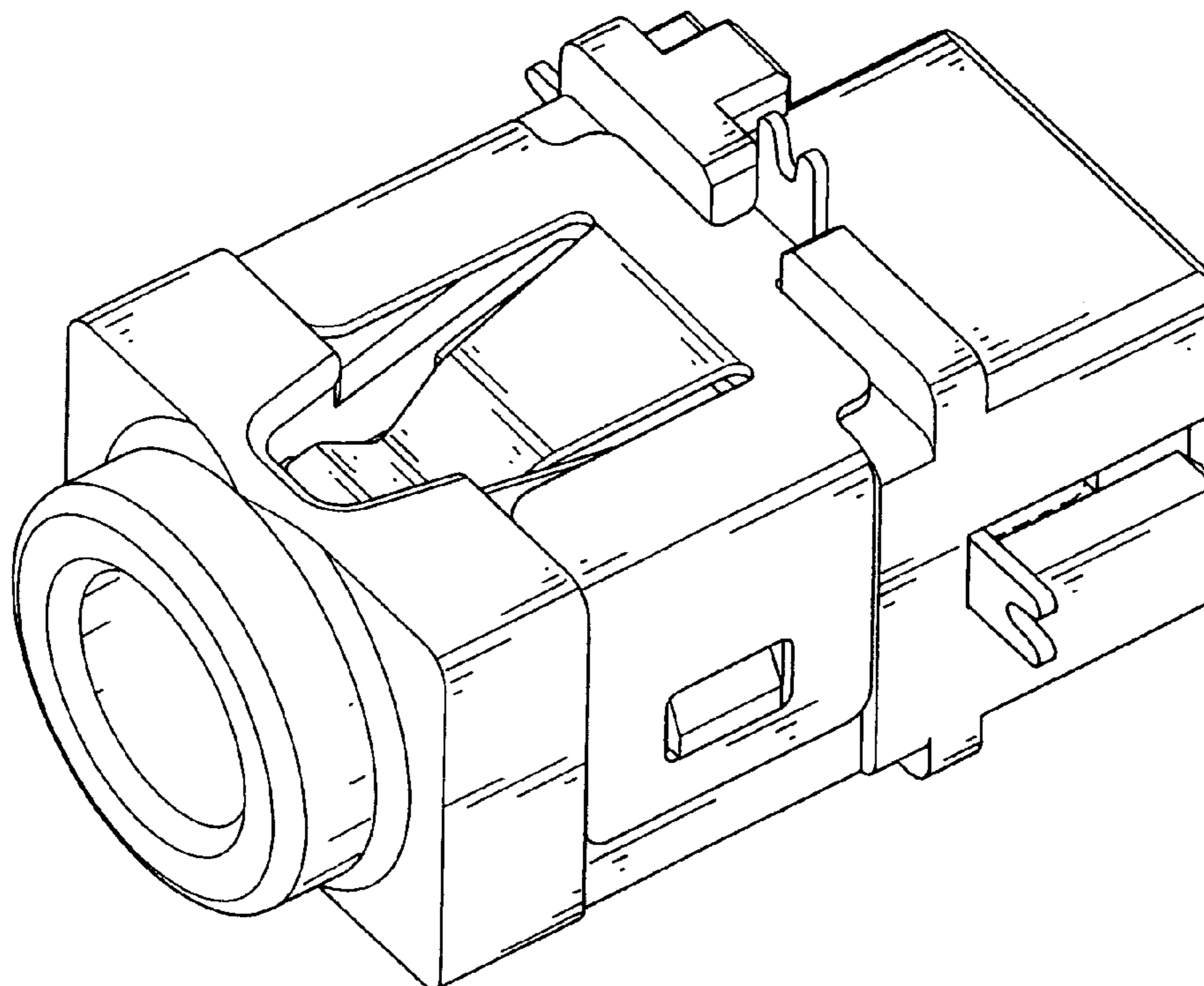
FIG. 5 is a right side view thereof;

FIG. 6 is top view thereof; and,

FIG. 7 is a bottom view thereof.

The broken lines in the drawings are for illustrative purpose only and form no part of the claimed design.

**1 Claim, 6 Drawing Sheets**



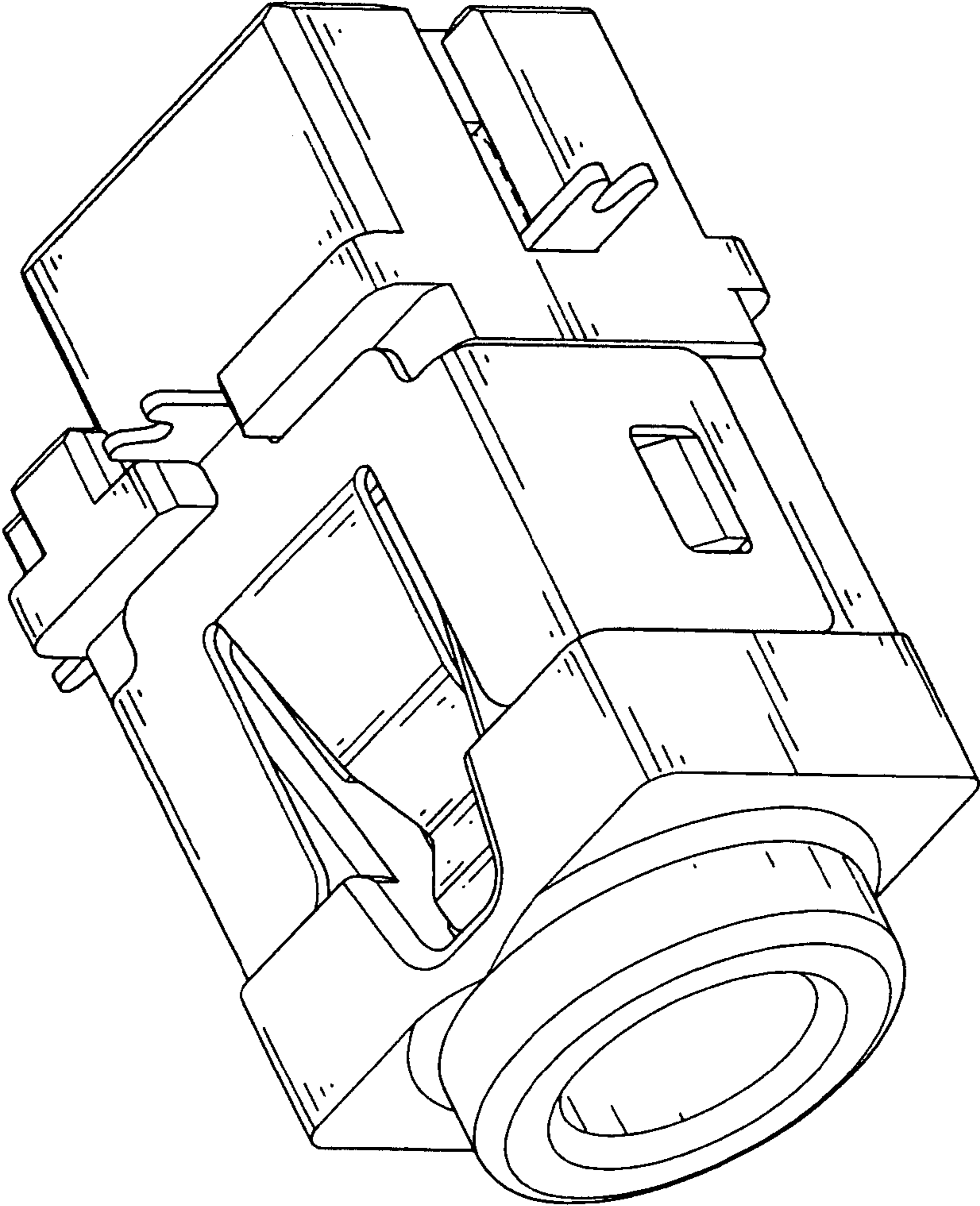


FIG. 1

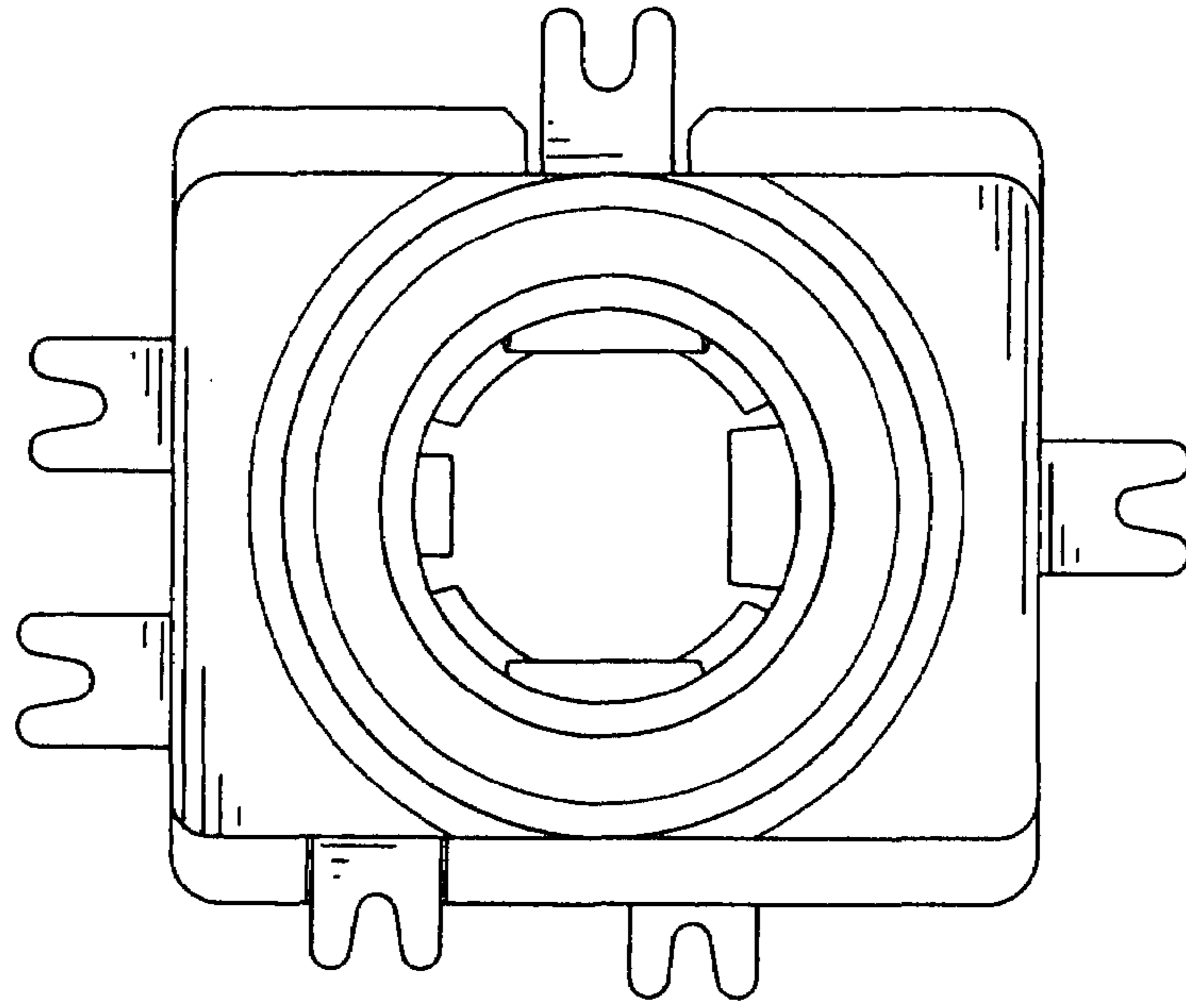


FIG. 2

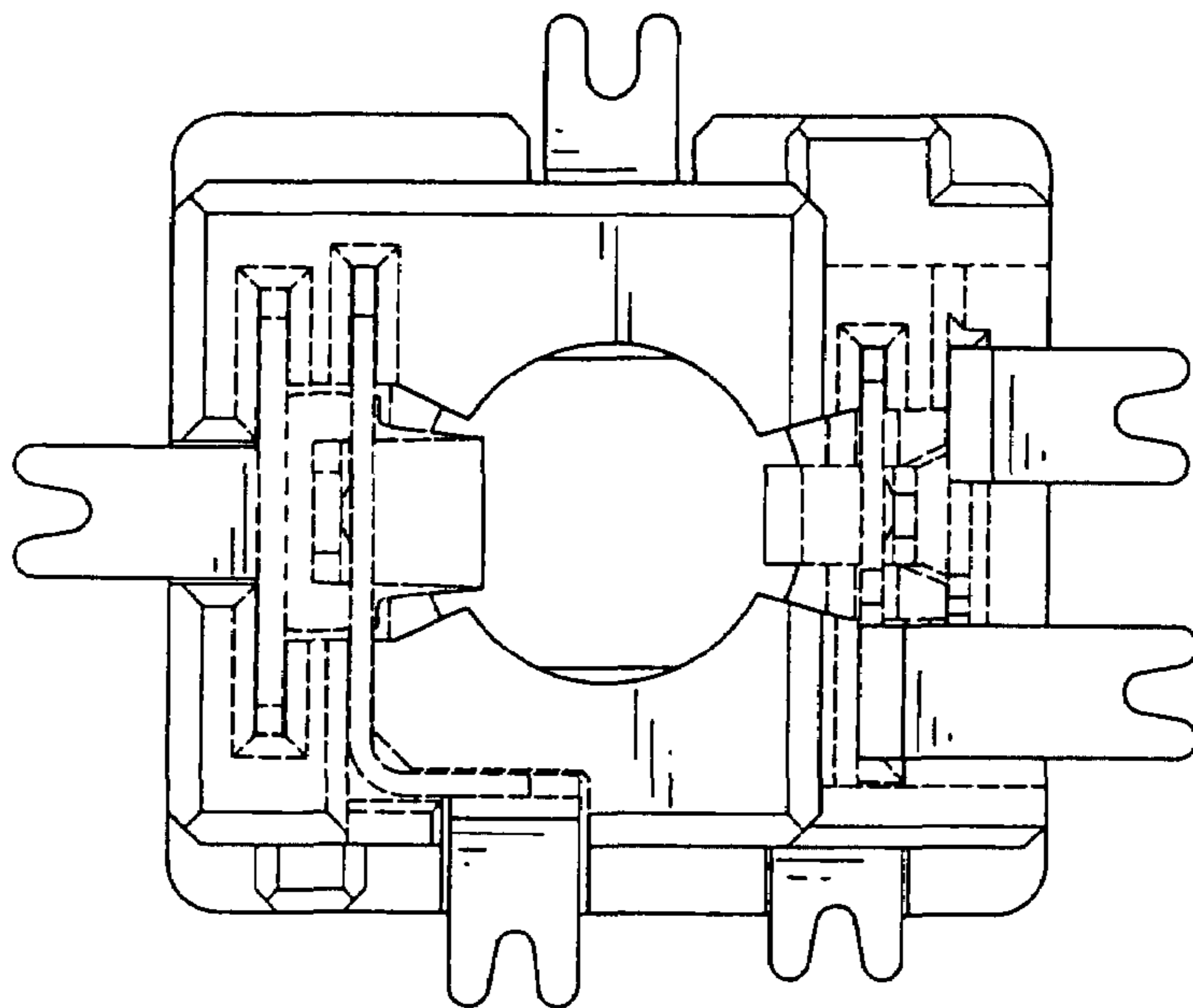


FIG. 3

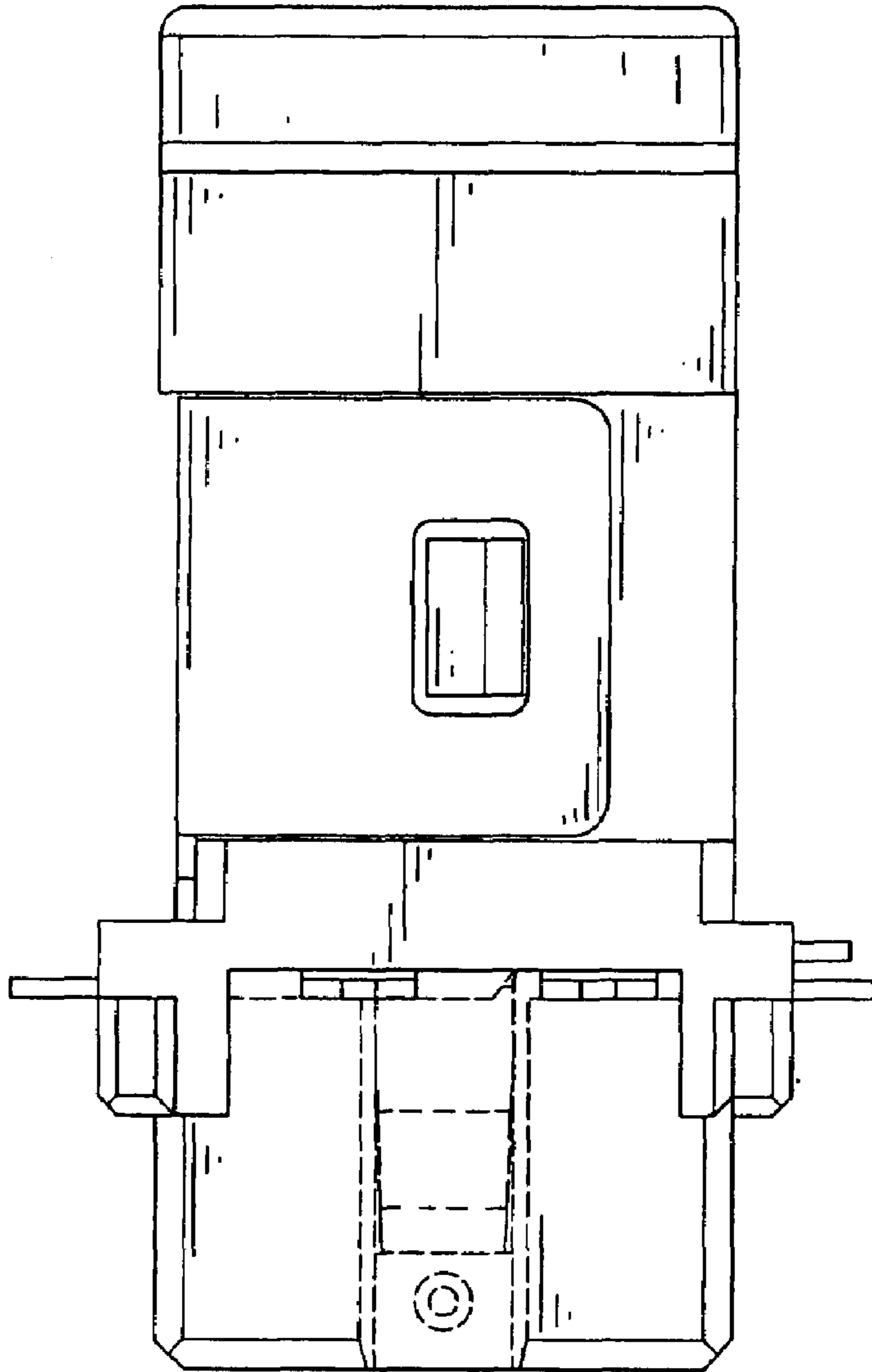


FIG. 4

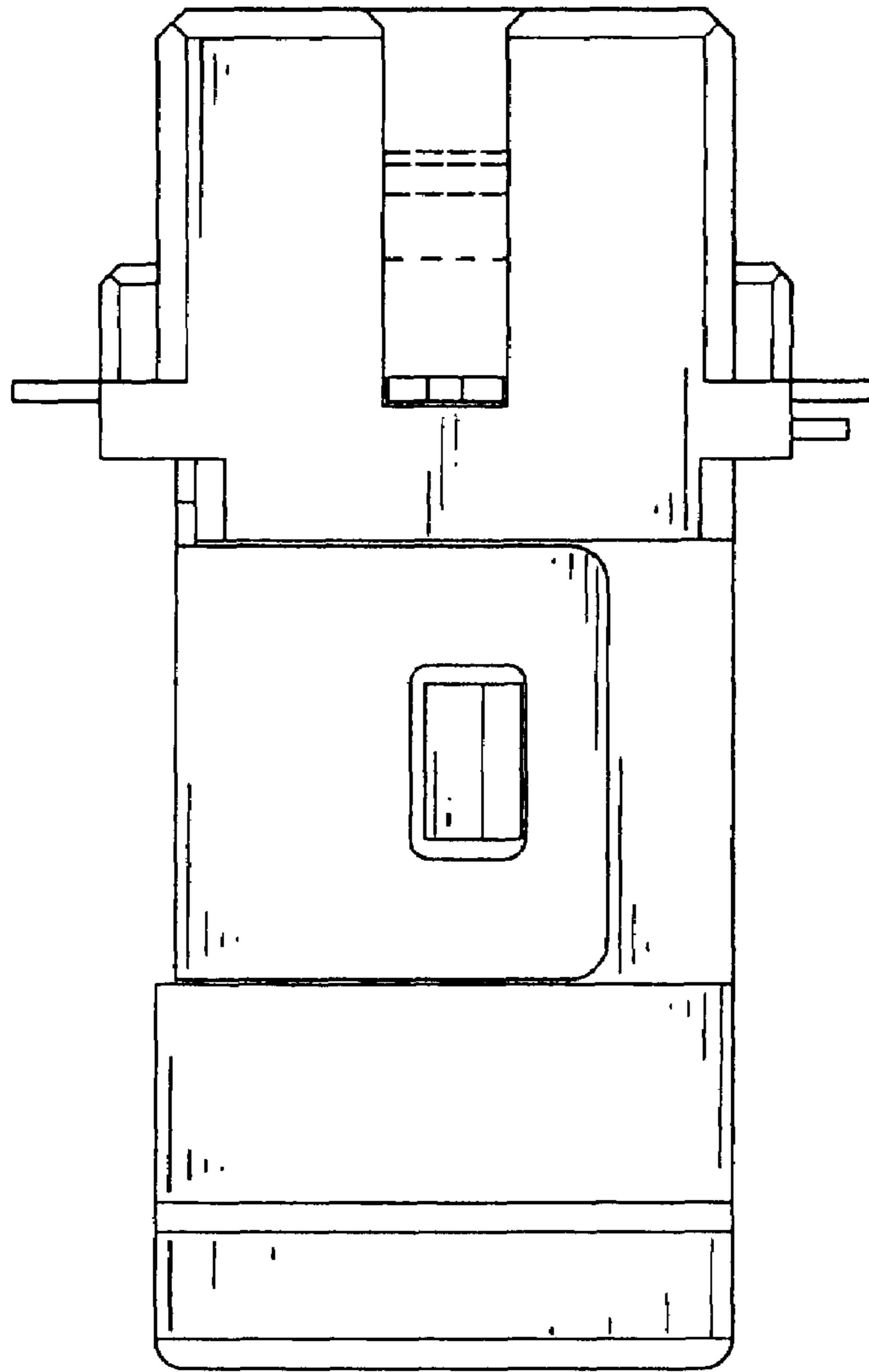


FIG. 5

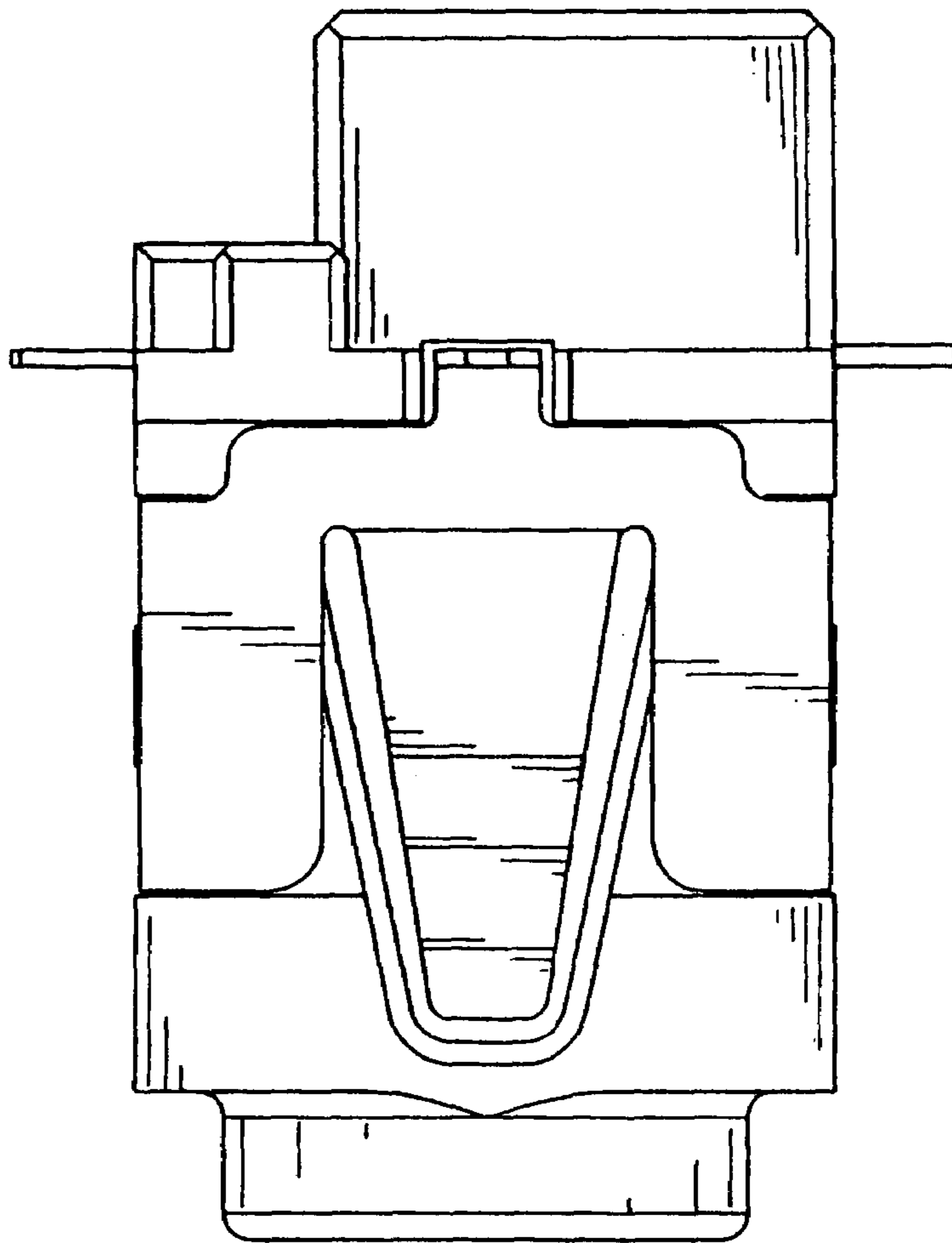


FIG. 6

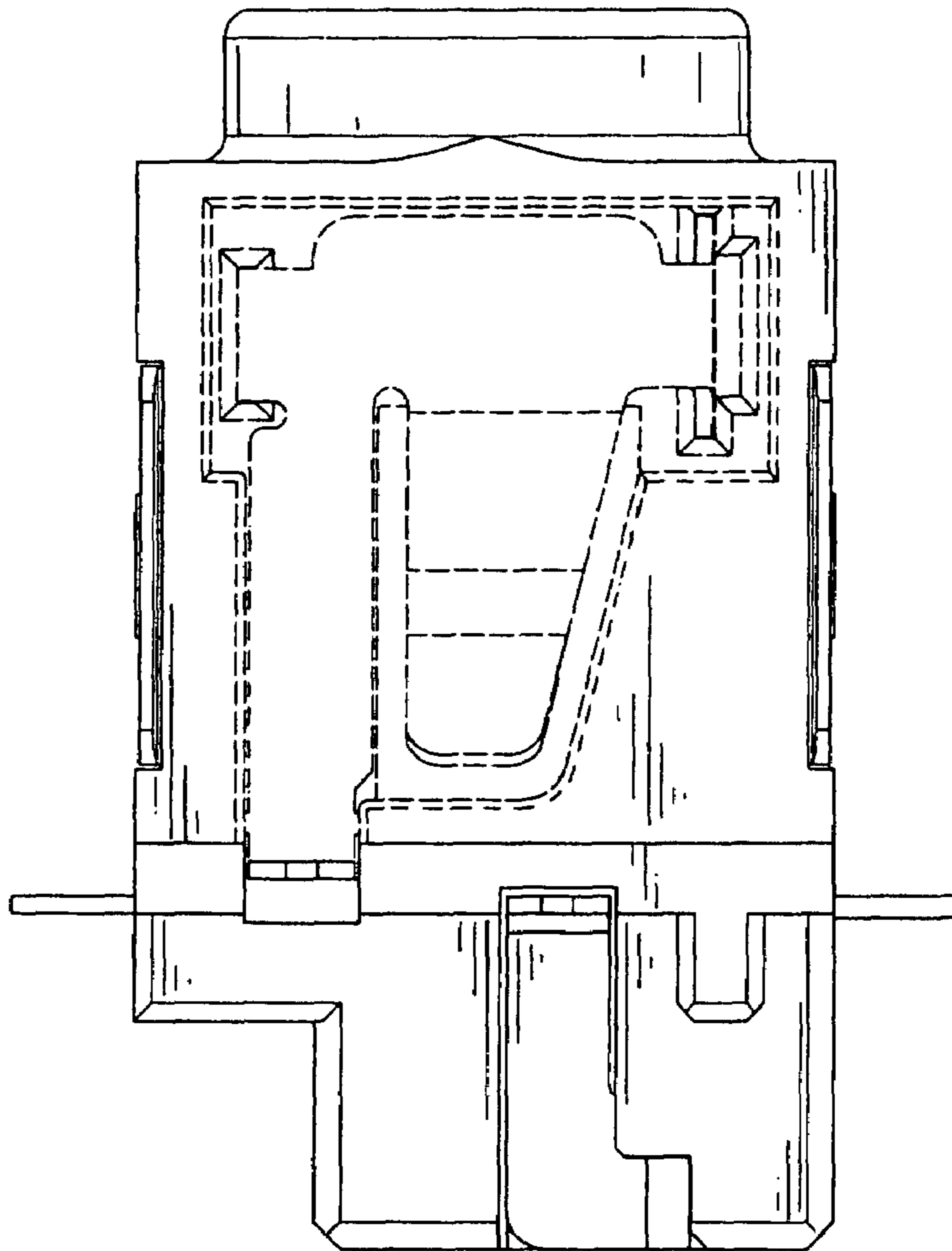


FIG. 7