



US00D558674S

(12) **United States Design Patent**
Lin et al.

(10) **Patent No.:** **US D558,674 S**

(45) **Date of Patent:** **** Jan. 1, 2008**

(54) **AUDIO JACK**

(75) Inventors: **Kuo Chin Lin**, Tu-Cheng (TW); **Dao Rui Sun**, Tu-Cheng (TW); **Feng Zhu**, Tu-Cheng (TW)

(73) Assignee: **Cheng Uei Precision Industry Co., Ltd.**, Taipei Hsien (TW)

(**) Term: **14 Years**

(21) Appl. No.: **29/270,791**

(22) Filed: **Jan. 4, 2007**

(51) **LOC (8) Cl.** **13-03**

(52) **U.S. Cl.** **D13/133**

(58) **Field of Classification Search** D13/133,
D13/146-147, 154, 184, 199; 439/278, 607,
439/668-669, 894

See application file for complete search history.

(56) **References Cited**

U.S. PATENT DOCUMENTS

5,797,768 A * 8/1998 Francaviglia 439/567
D431,528 S * 10/2000 Zhu et al. D13/133
D435,015 S * 12/2000 Wang D13/133
D461,771 S * 8/2002 Zhao et al. D13/133
D464,318 S * 10/2002 Togashi D13/133

D494,137 S * 8/2004 Fang D13/133
D534,123 S * 12/2006 Lin D13/133
D534,124 S * 12/2006 Taguchi D13/133
D536,667 S * 2/2007 Chine et al. D13/133

* cited by examiner

Primary Examiner—Daniel Bui

(74) *Attorney, Agent, or Firm*—Rosenberg, Klein & Lee

(57) **CLAIM**

The ornamental design for an audio jack, as shown and described.

DESCRIPTION

FIG. 1 is a perspective view of an audio jack showing our new design;

FIG. 2 is a front elevational view thereof;

FIG. 3 is a rear elevational view thereof;

FIG. 4 is a left side elevational view thereof;

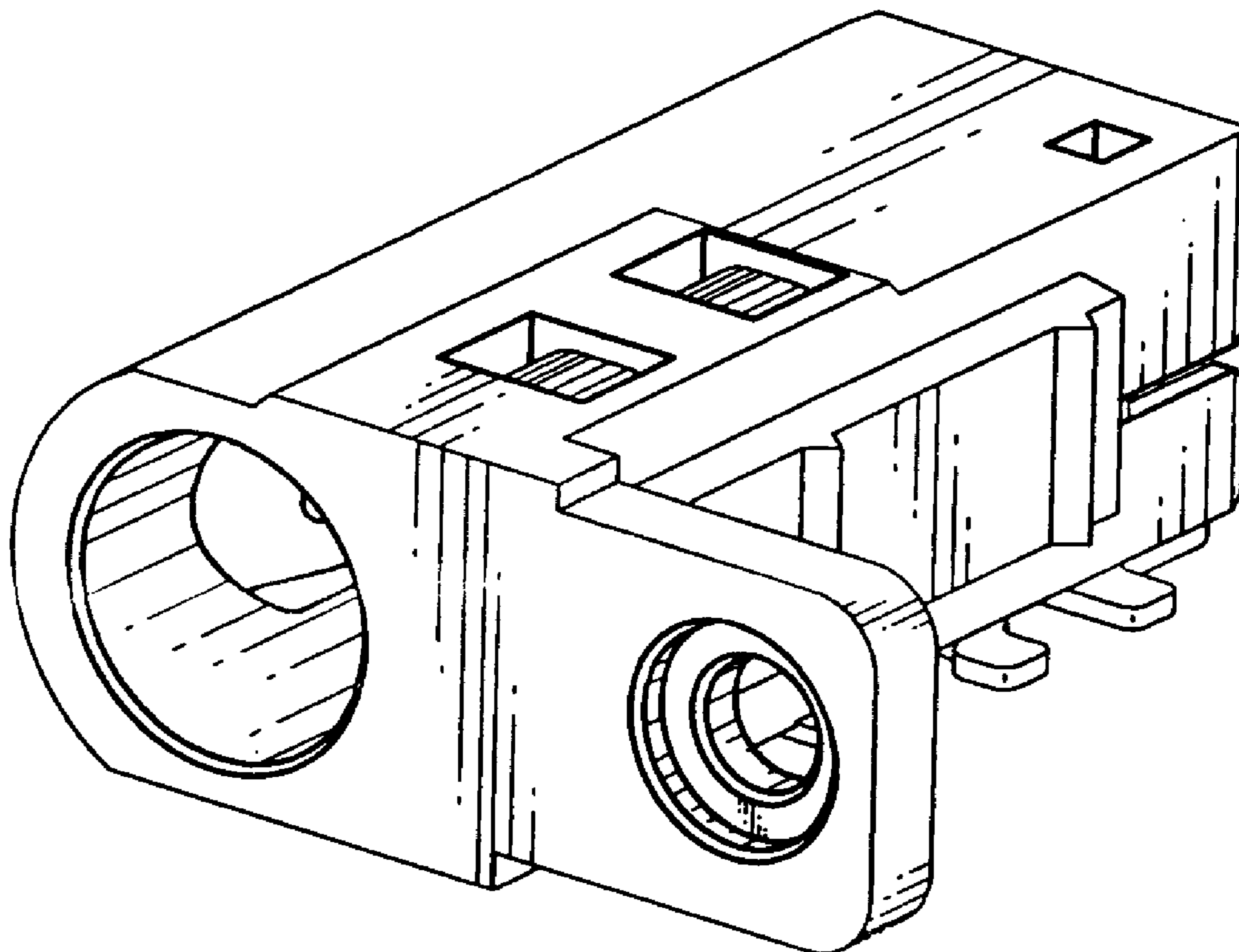
FIG. 5 is a right side elevational view thereof;

FIG. 6 is a top plan view thereof; and,

FIG. 7 is a bottom plan view thereof.

Features shown in broken lines are included for illustrative purposes and do not form a part of the claimed design.

1 Claim, 7 Drawing Sheets



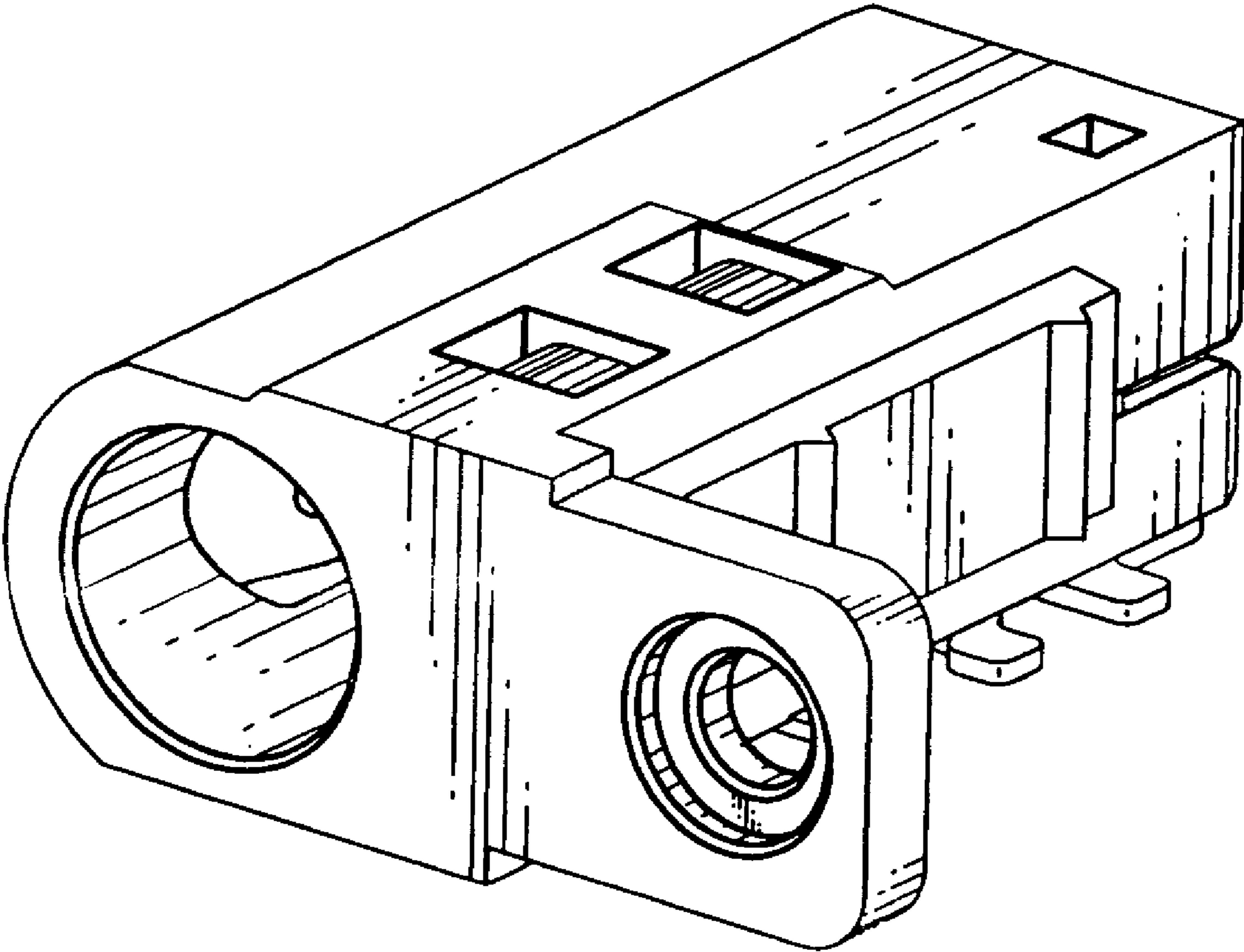


FIG. 1

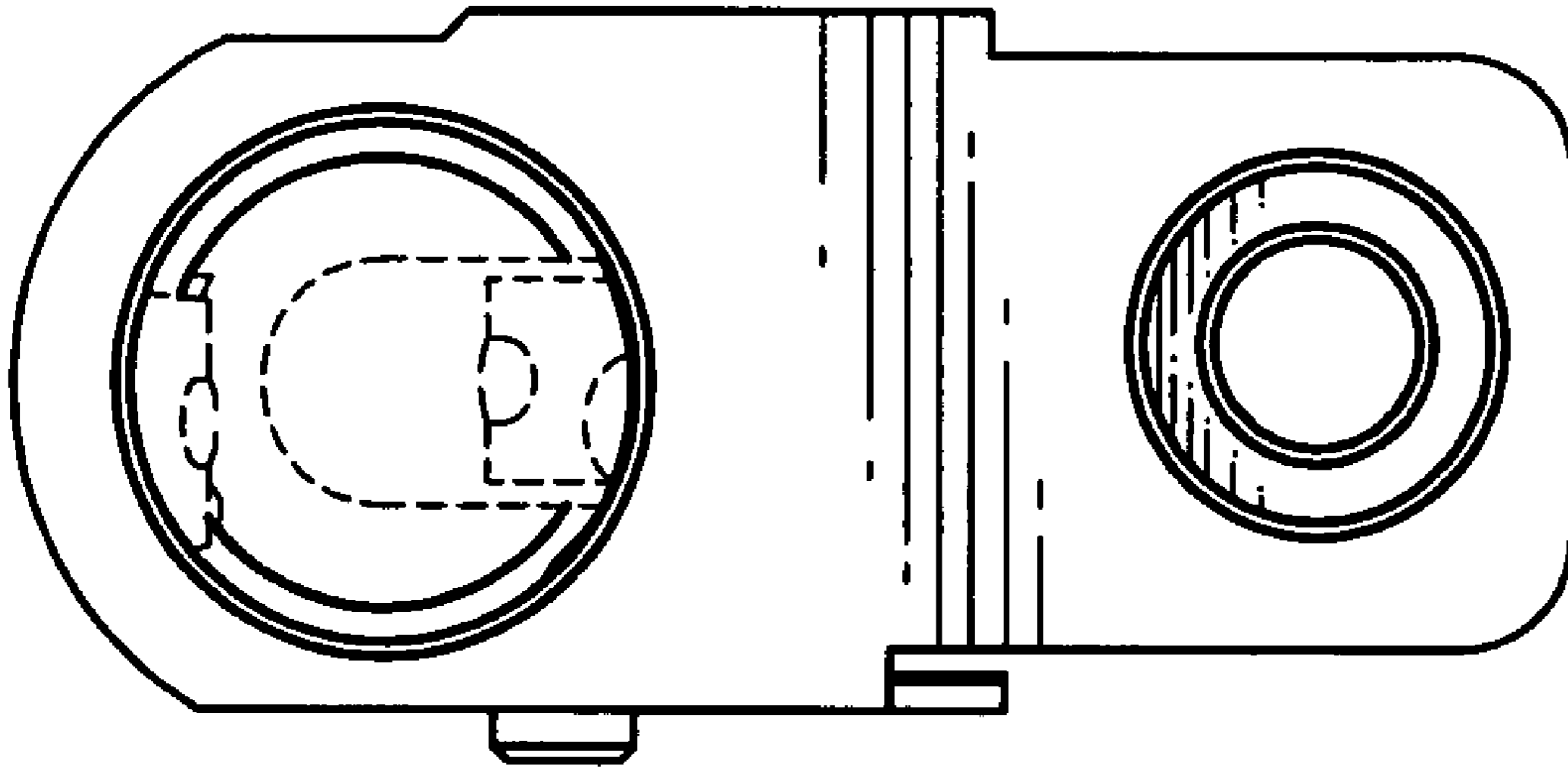


FIG. 2

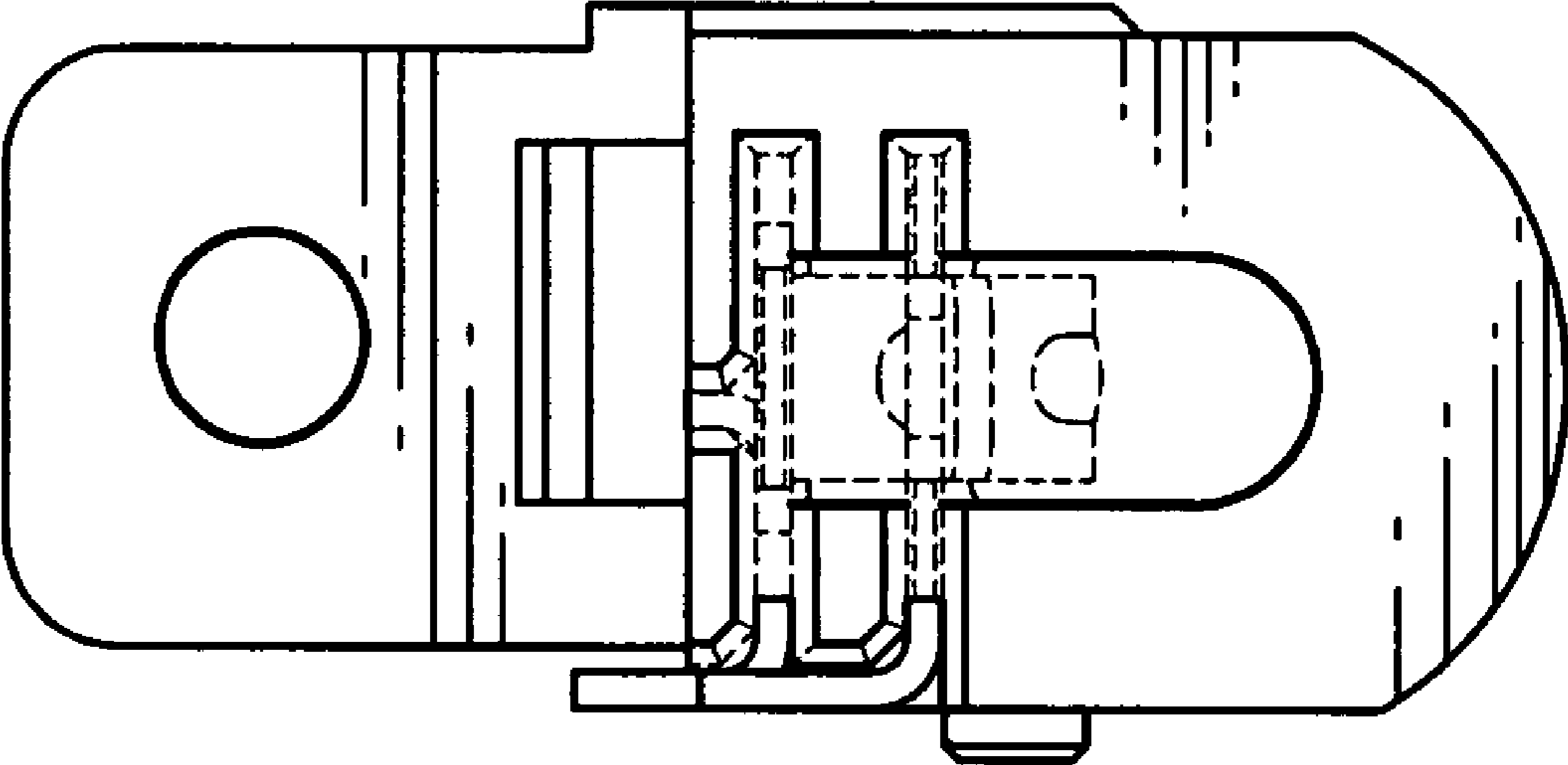


FIG. 3

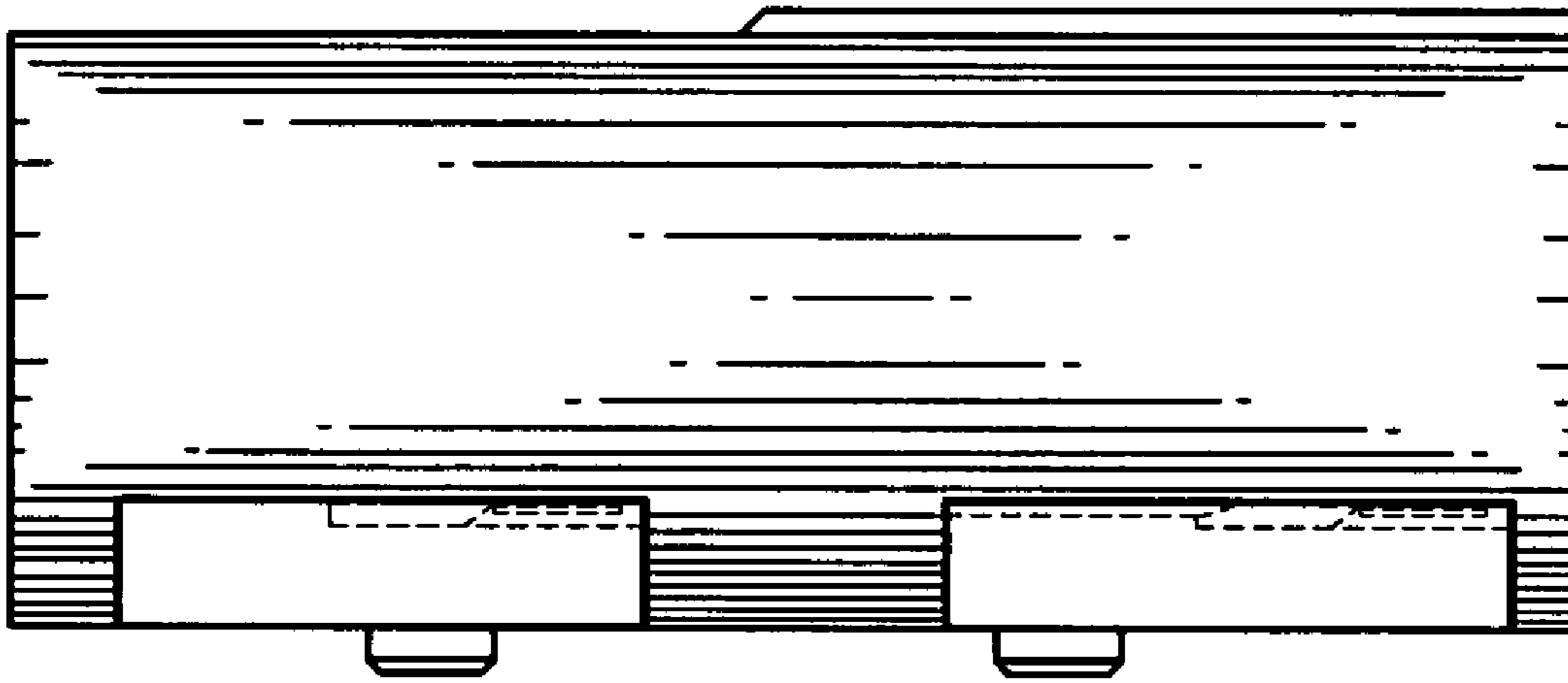


FIG. 4

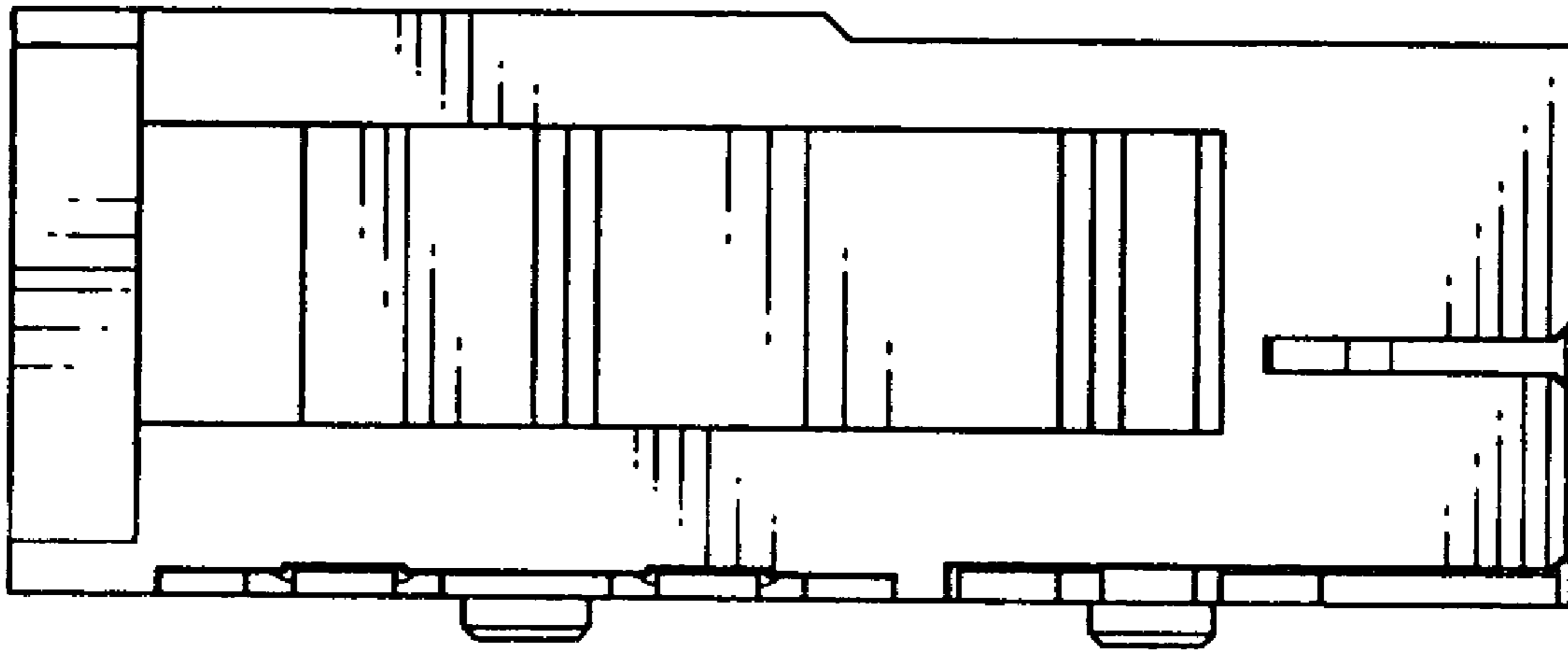


FIG. 5

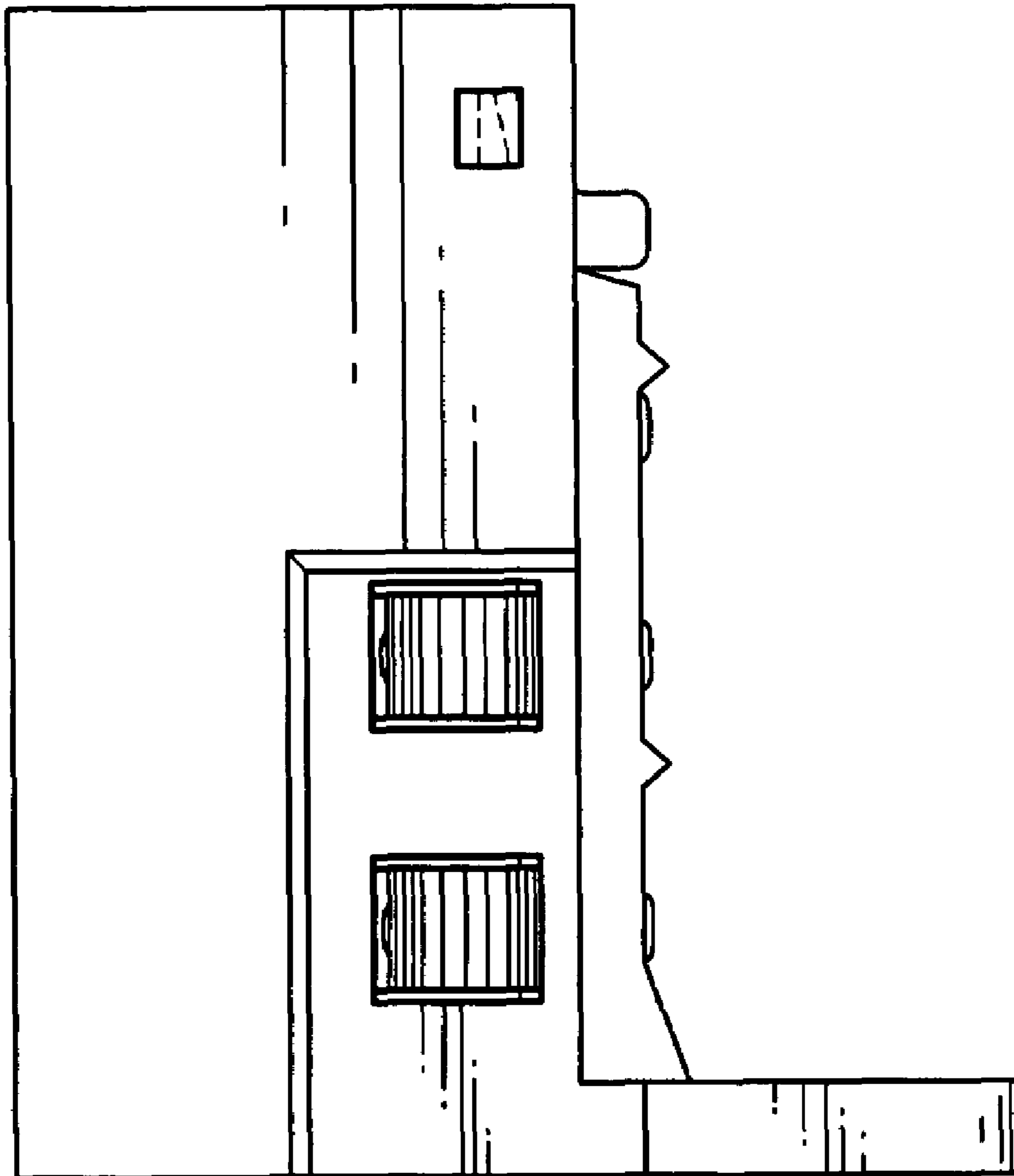


FIG. 6

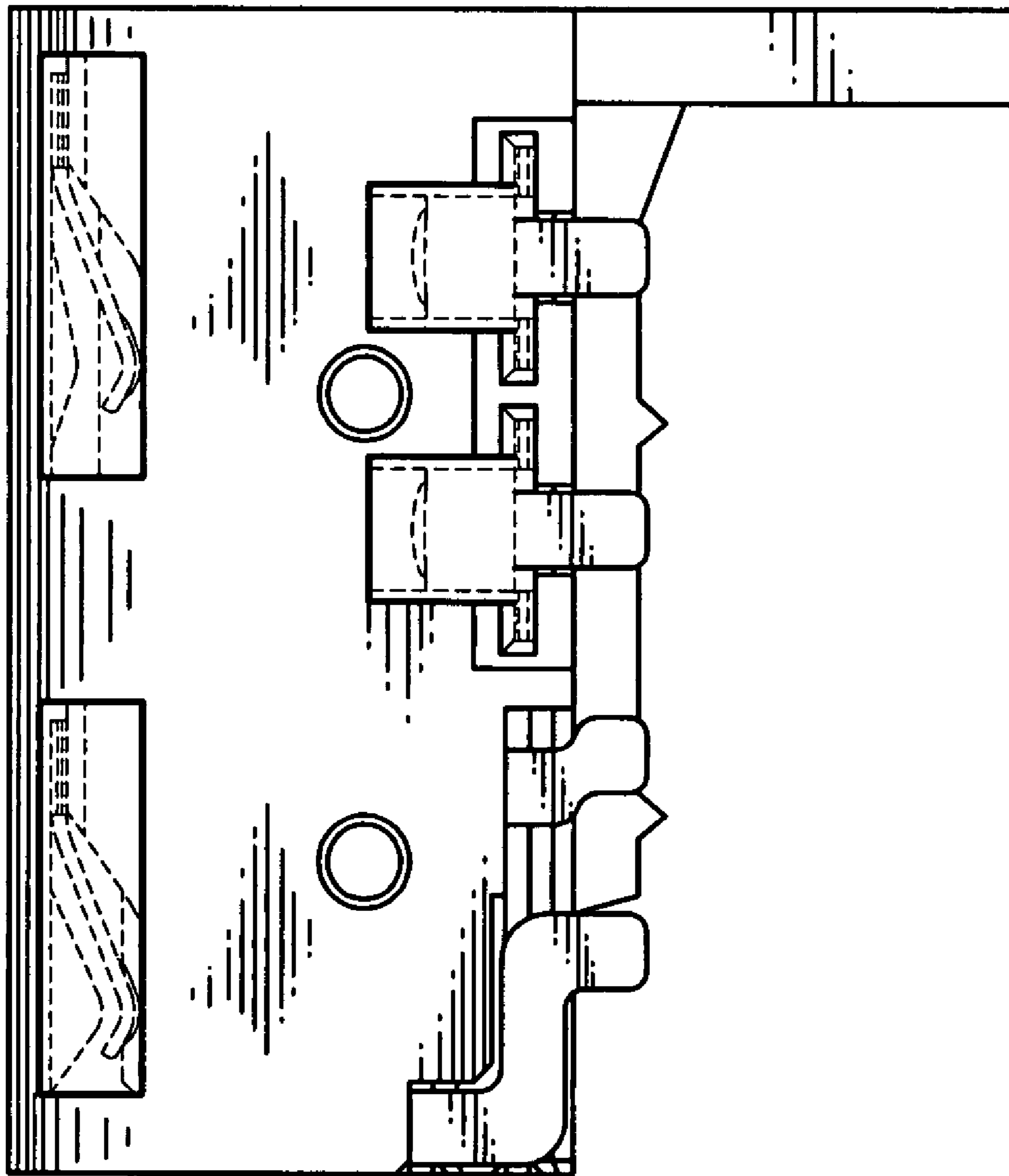


FIG. 7