



US00D558672S

(12) **United States Design Patent**
Easley

(10) **Patent No.:** **US D558,672 S**

(45) **Date of Patent:** **** Jan. 1, 2008**

- (54) **FIBER OPTIC LASER FERRULE**
- (75) Inventor: **James C. Easley**, St. Charles, MO (US)
- (73) Assignee: **Synergetics, Inc.**, O'Fallon, MO (US)
- (**) Term: **14 Years**
- (21) Appl. No.: **29/206,967**
- (22) Filed: **Jun. 5, 2004**

- (51) **LOC (8) Cl.** **13-03**
- (52) **U.S. Cl.** **D13/133**
- (58) **Field of Classification Search** D10/46;
D13/133-154; 385/53, 60, 78, 66, 72, 84-85,
385/88

See application file for complete search history.

(56) **References Cited**

U.S. PATENT DOCUMENTS

- D296,325 S * 6/1988 Hugin D13/133
- D470,818 S * 2/2003 Cheng D13/133
- 6,637,946 B2 * 10/2003 Cheng 385/78

- 6,923,579 B2 * 8/2005 Fleenor et al. 385/78
- 7,160,033 B2 * 1/2007 Roeder et al. 385/78
- 7,210,857 B2 * 5/2007 Blasingame et al. 385/88

* cited by examiner

Primary Examiner—Antoine D. Davis

(74) *Attorney, Agent, or Firm*—Kevin L. Klug

(57) **CLAIM**

The ornamental design for a fiber optic laser ferrule, as shown and described.

DESCRIPTION

FIG. 1 is a front perspective view of the fiber optic laser ferrule showing my new design;

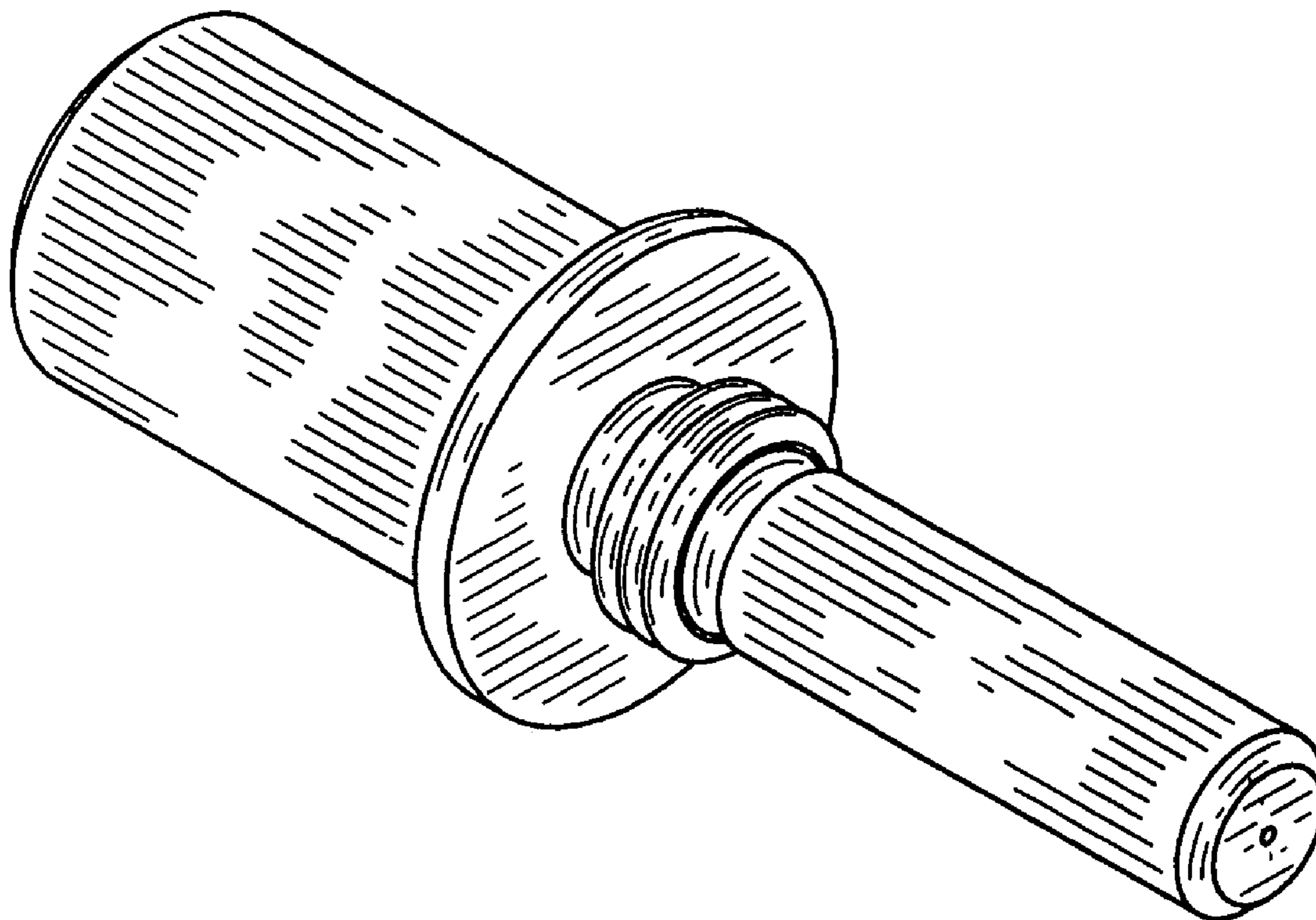
FIG. 2 is a rear perspective view thereof;

FIG. 3 is a right side plan view thereof, the left side, bottom side, and top side plan views being the same thereto;

FIG. 4 is a rear plan view thereof; and,

FIG. 5 is a front plan view thereof.

1 Claim, 4 Drawing Sheets



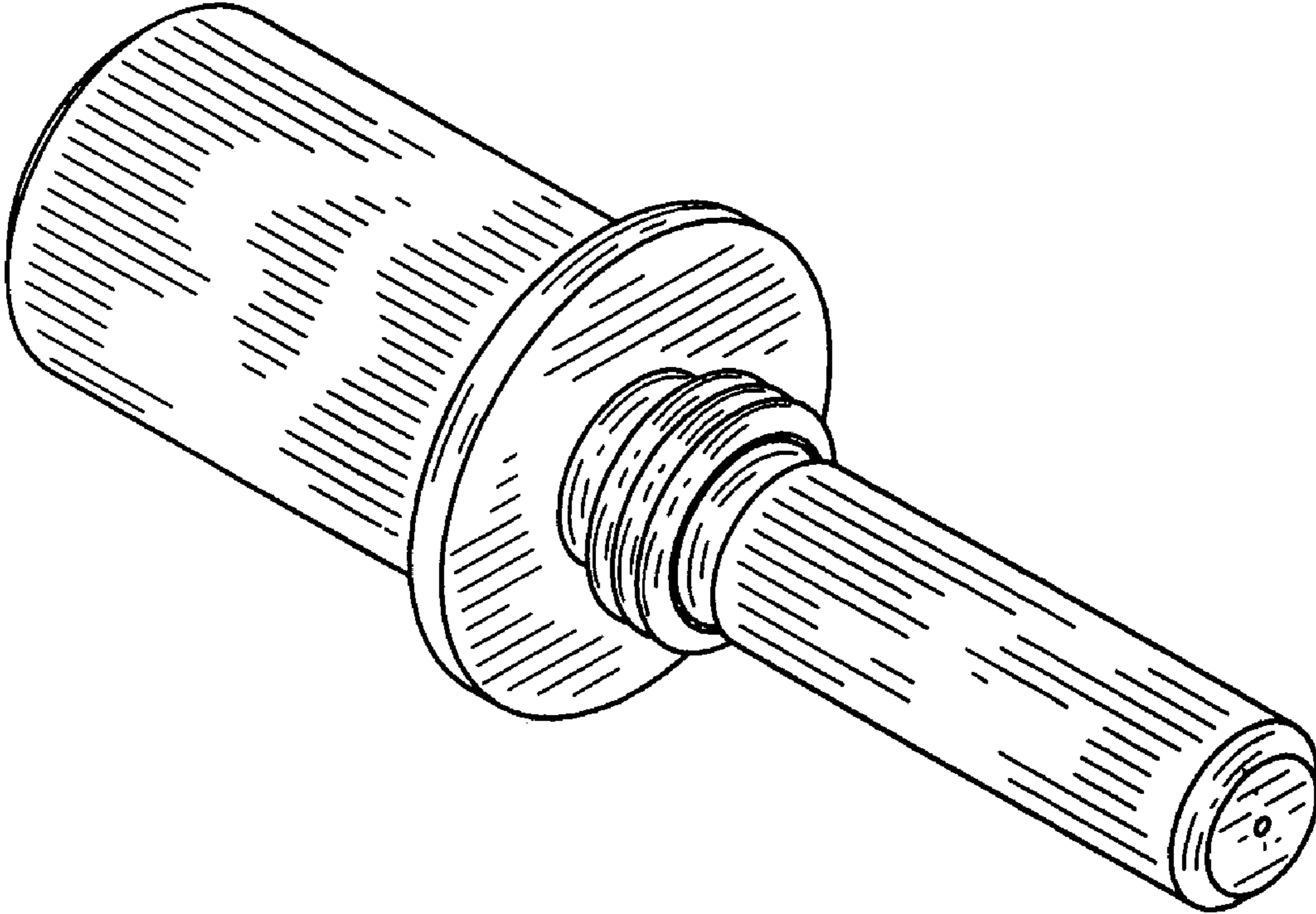


Fig. 1

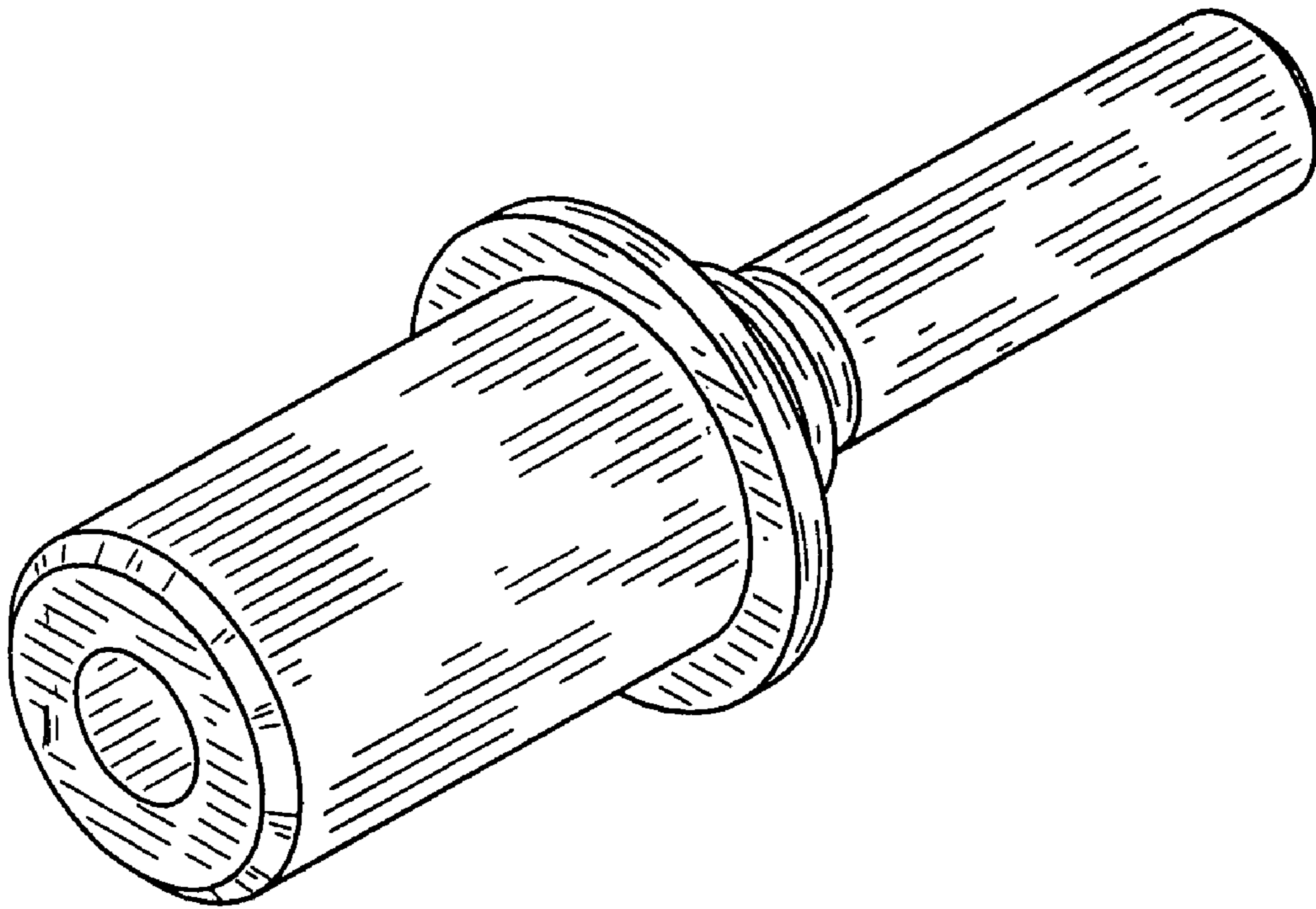


Fig. 2

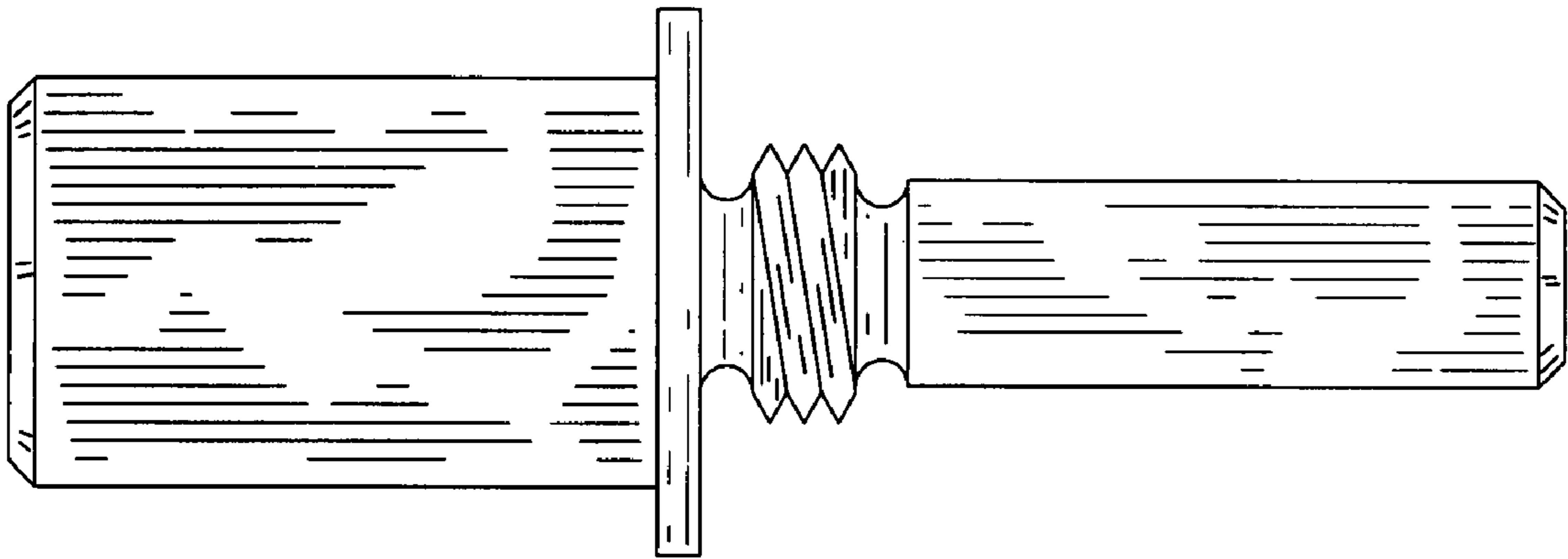


Fig. 3

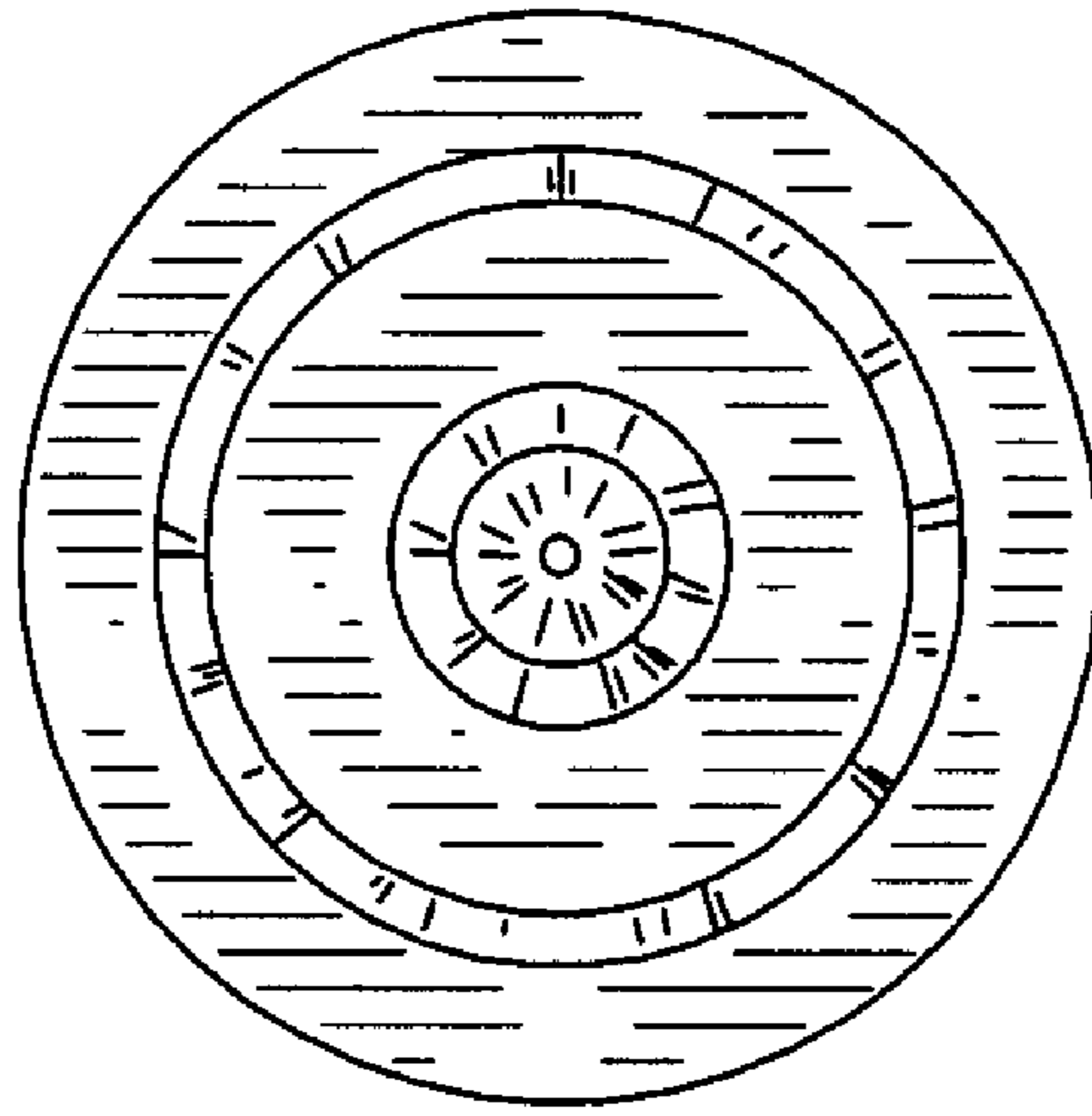


Fig. 4

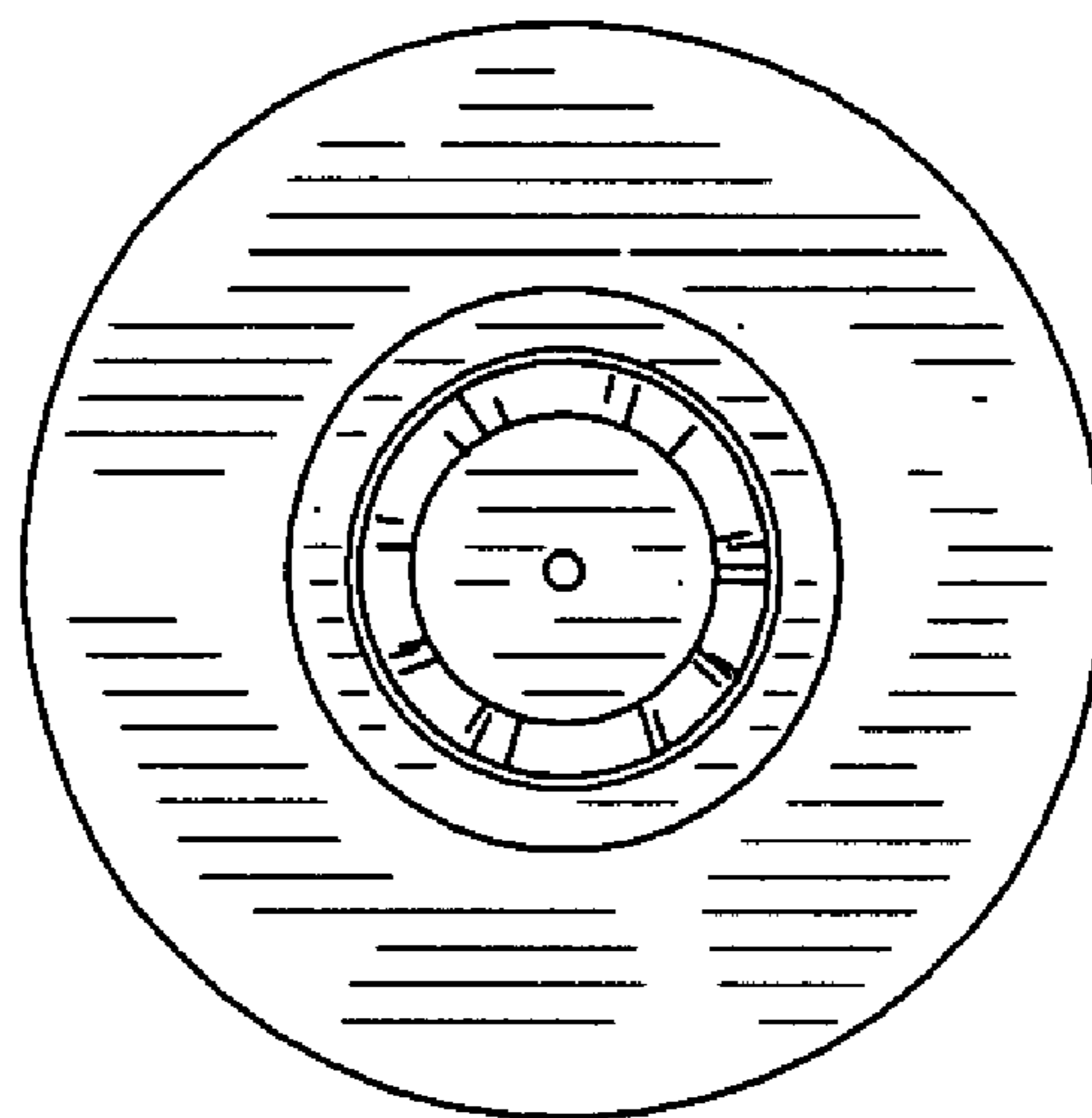


Fig. 5