



US00D558671S

(12) **United States Design Patent**  
**Chen**

(10) **Patent No.:** **US D558,671 S**

(45) **Date of Patent:** **\*\* Jan. 1, 2008**

(54) **BATTERY CONNECTOR**

(75) Inventor: **Chung Yu Chen, Tu-Cheng (TW)**

(73) Assignee: **Cheng Uei Precision Industry Co., Ltd., Taipei (TW)**

(\*\*) Term: **14 Years**

(21) Appl. No.: **29/256,380**

(22) Filed: **Mar. 21, 2006**

(51) **LOC (8) Cl.** ..... **13-03**

(52) **U.S. Cl.** ..... **D13/120; D13/147**

(58) **Field of Classification Search** ..... D13/120,  
D13/133, 146-147, 184, 199; 439/108, 577,  
439/630, 660, 680, 773, 862  
See application file for complete search history.

(56) **References Cited**

**U.S. PATENT DOCUMENTS**

5,752,841	A *	5/1998	Hori	.....	439/108
D419,133	S *	1/2000	Yoshida et al.	.....	D13/120
6,068,519	A *	5/2000	Lok	.....	439/660
D455,126	S *	4/2002	Wu	.....	D13/147
D486,448	S *	2/2004	Watanabe et al.	.....	D13/120
6,951,488	B2 *	10/2005	Hsieh	.....	439/660
D517,486	S *	3/2006	Riku	.....	D13/147

D522,968	S *	6/2006	Hu et al.	.....	D13/147
D529,443	S *	10/2006	Chien	.....	D13/147
D538,228	S *	3/2007	Wang et al.	.....	D13/146
2003/0190848	A1 *	10/2003	Wu	.....	439/862
2005/0059303	A1 *	3/2005	Panella et al.	.....	439/862

\* cited by examiner

*Primary Examiner*—Cathron Brooks

*Assistant Examiner*—Rosemary K Tarcza

(74) *Attorney, Agent, or Firm*—Rosenberg, Klein & Lee

(57) **CLAIM**

The ornamental design for battery connector, as shown and described.

**DESCRIPTION**

FIG. 1 is a perspective view of a battery connector showing the new design;

FIG. 2 is a front elevational view thereof;

FIG. 3 is a rear elevational view thereof;

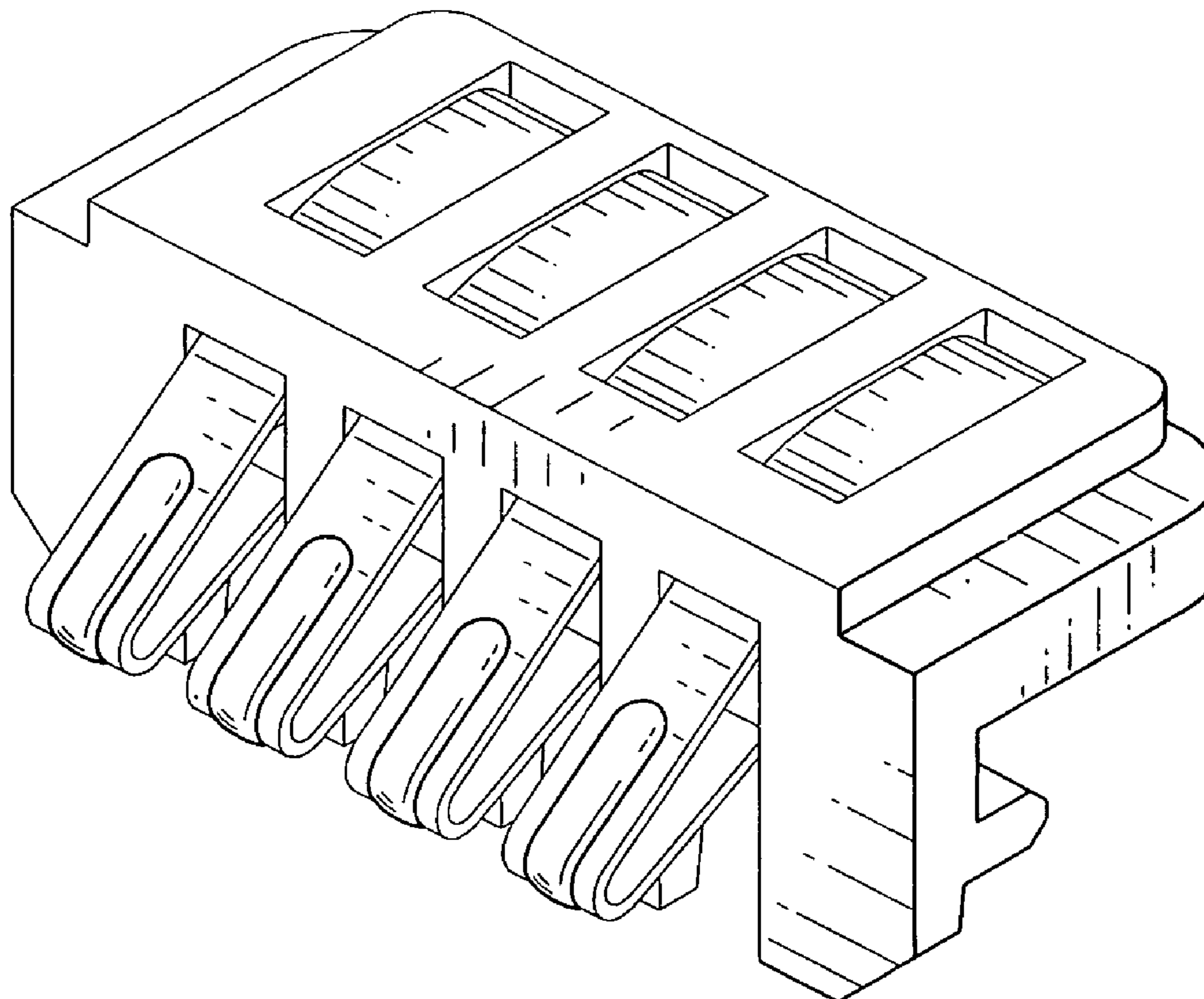
FIG. 4 is a left side elevational view thereof;

FIG. 5 is a right side elevational view thereof;

FIG. 6 is a top plan view thereof; and,

FIG. 7 is a bottom plan view thereof.

**1 Claim, 7 Drawing Sheets**



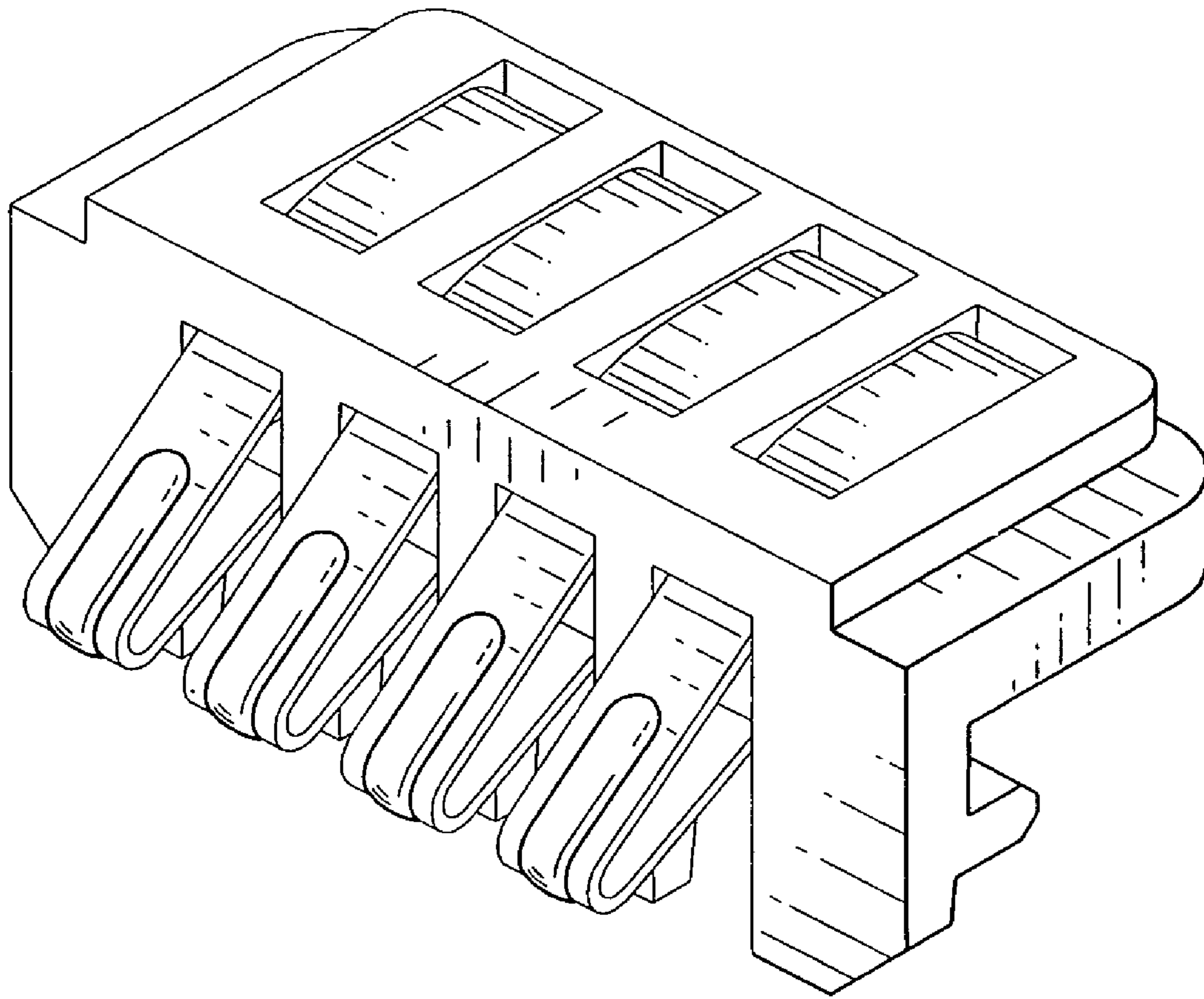


FIG. 1

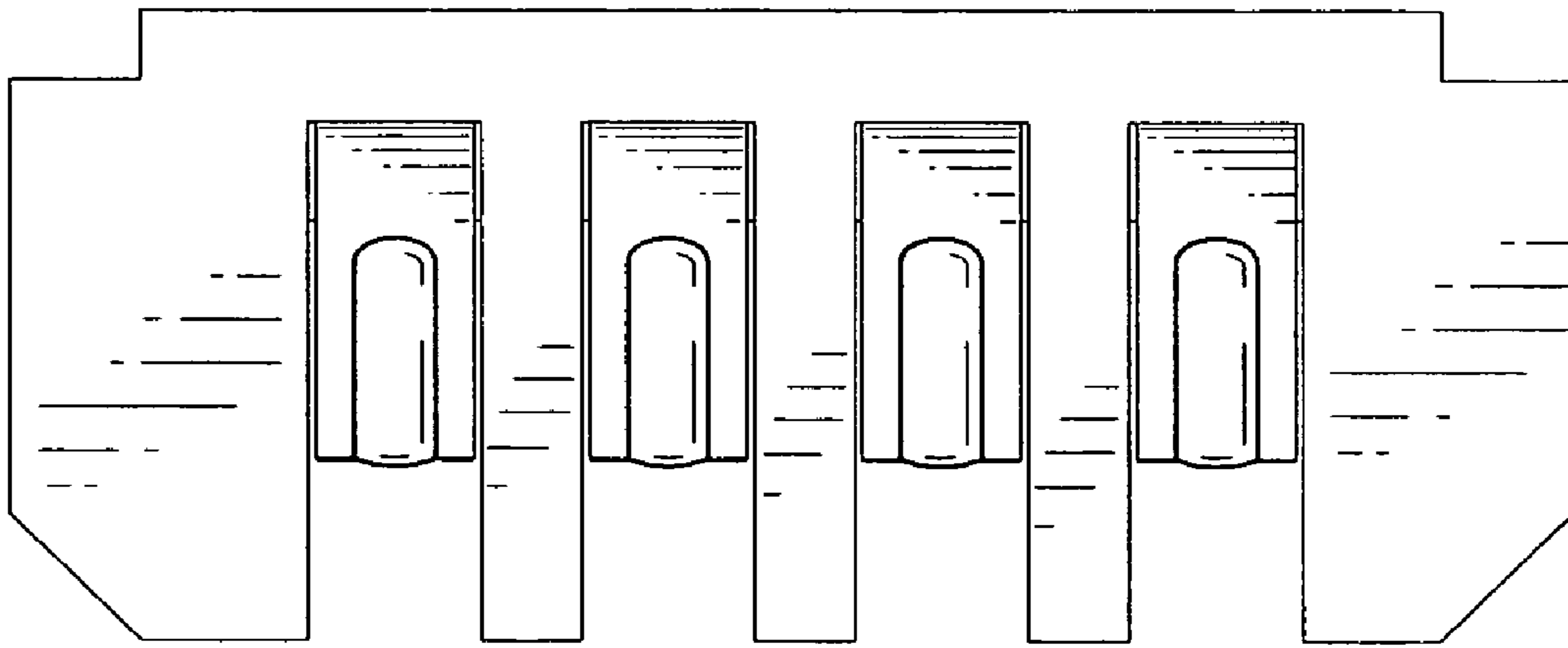


FIG. 2

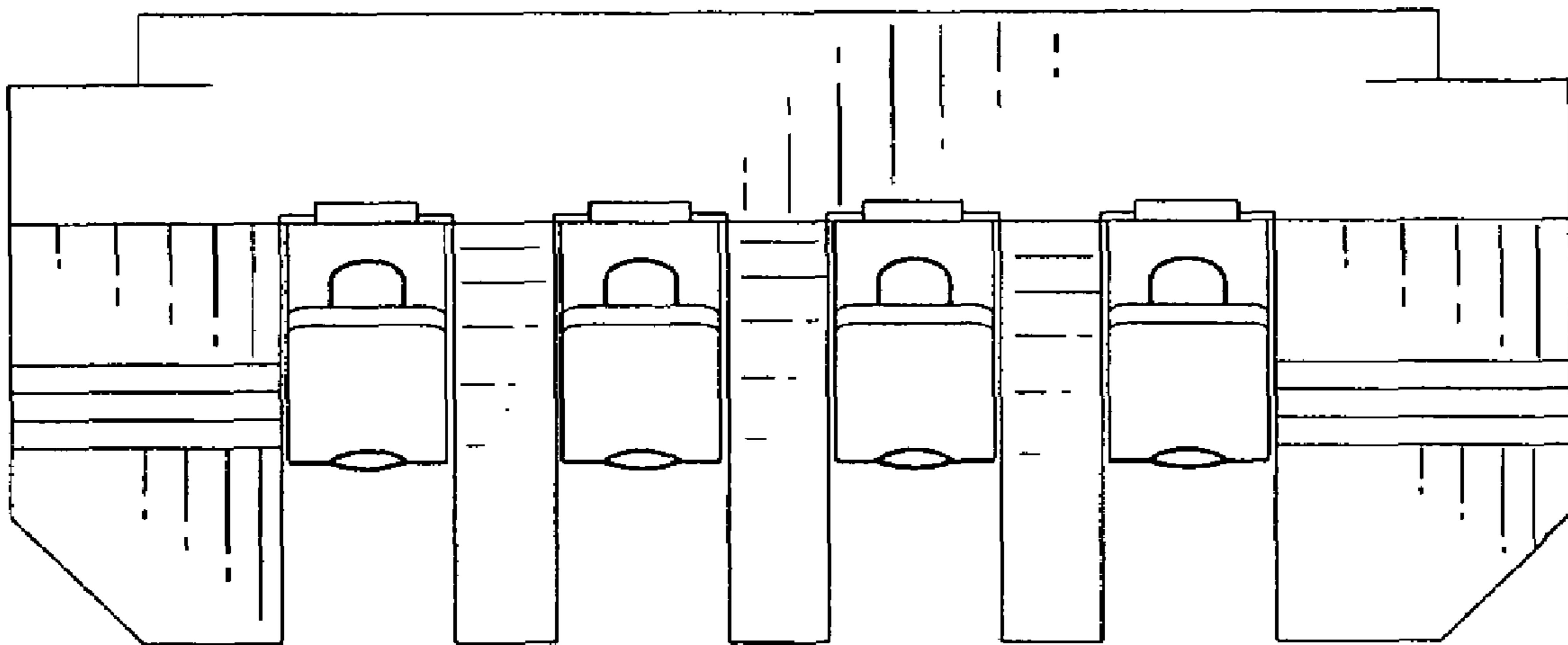


FIG. 3

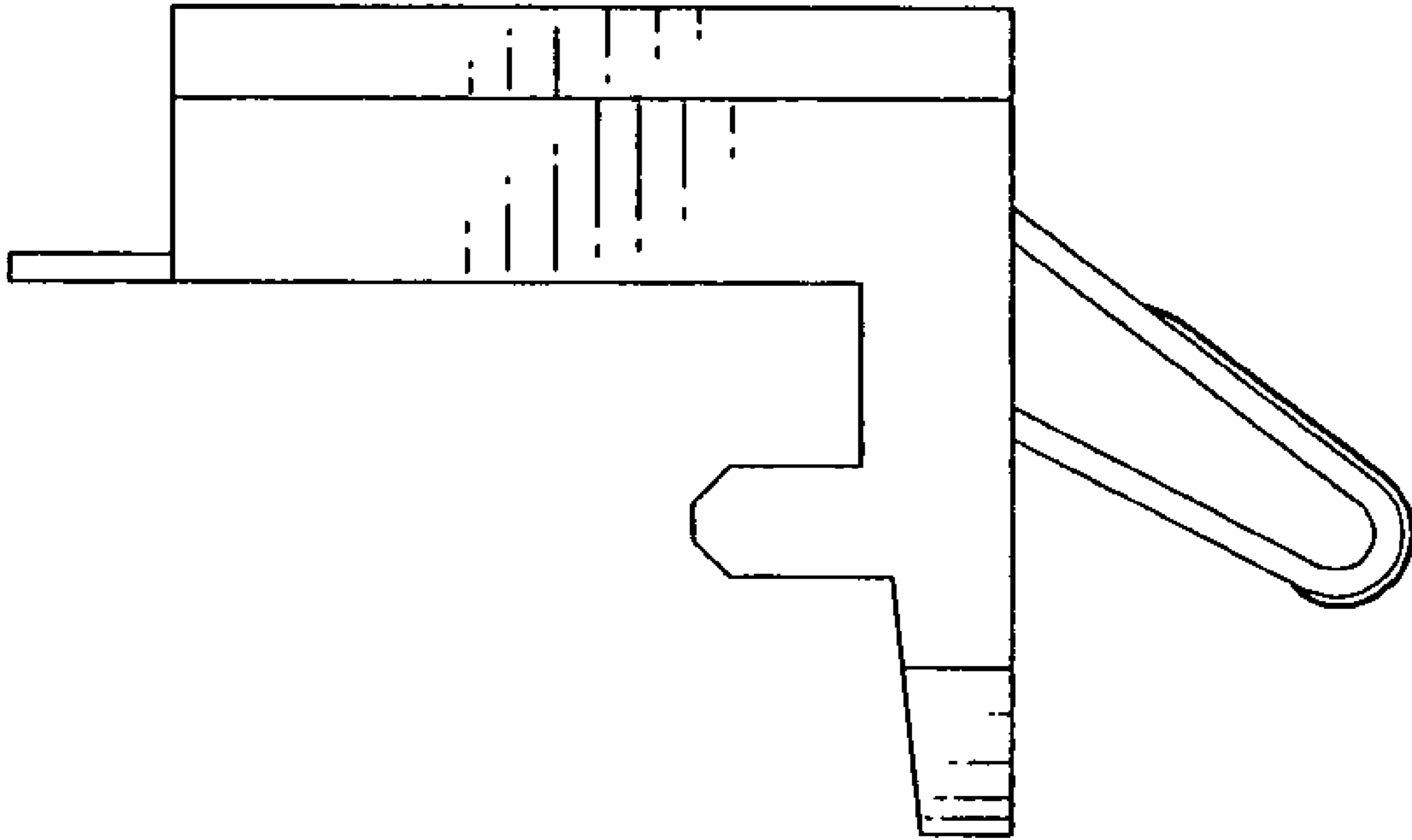


FIG. 4

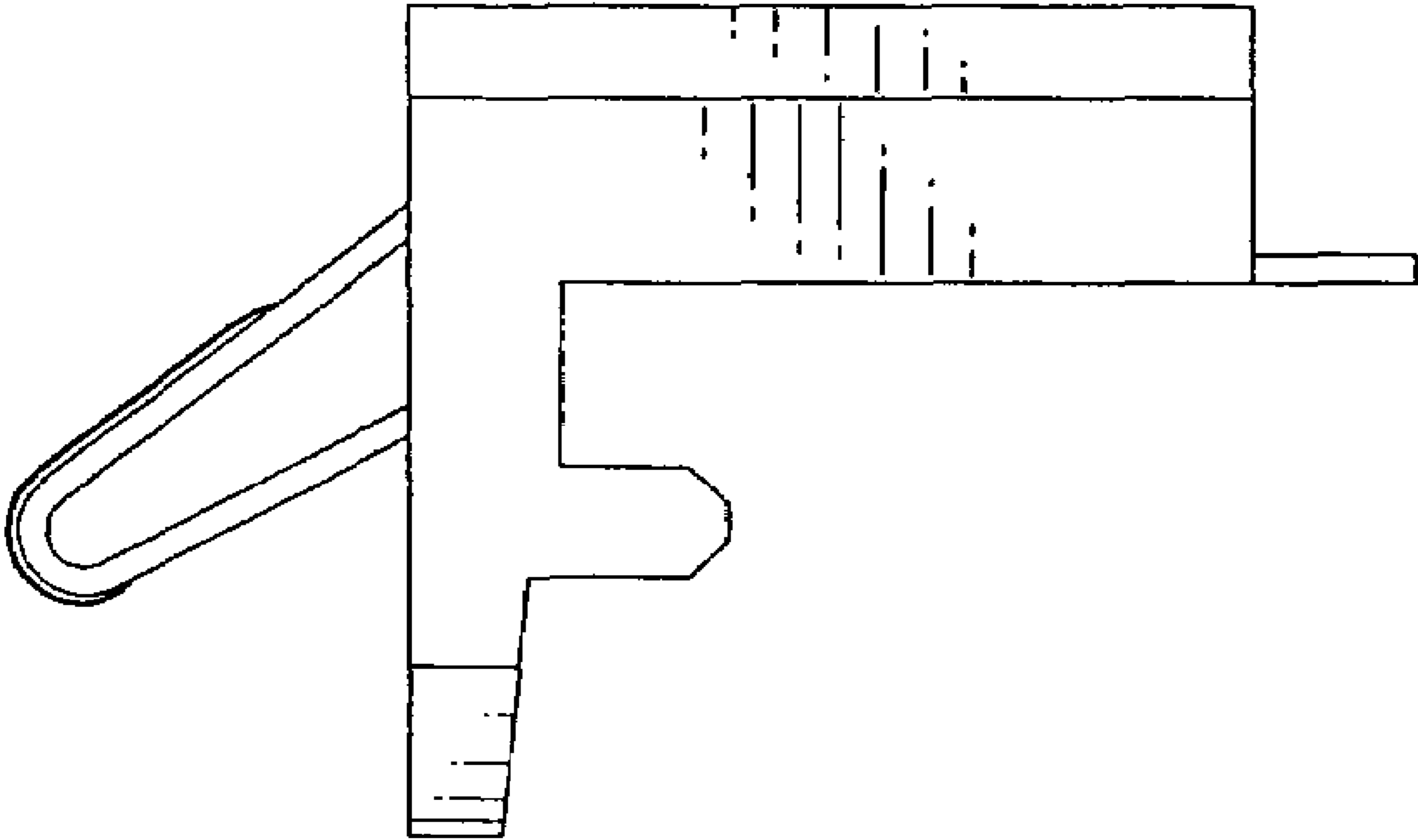


FIG. 5

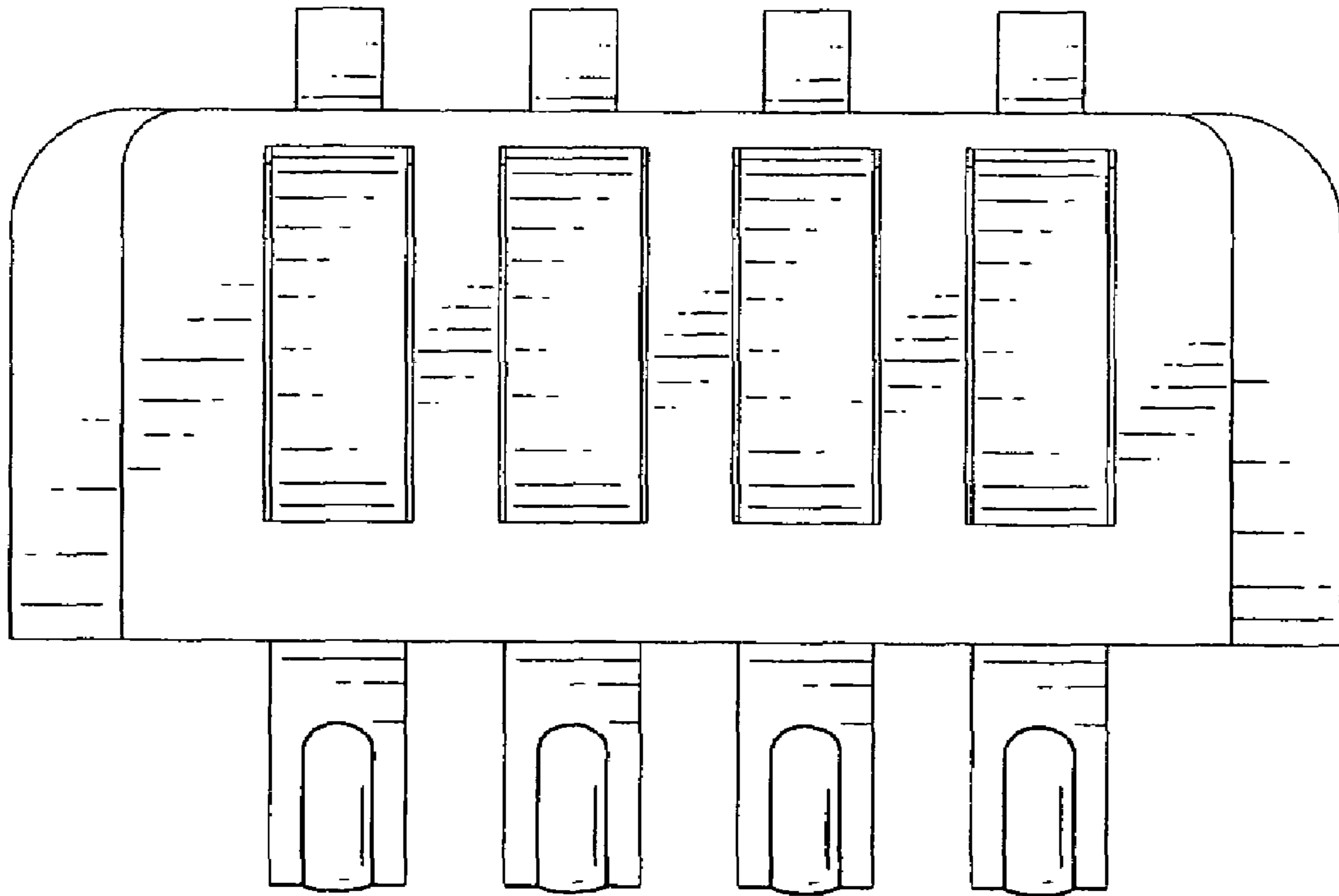


FIG. 6

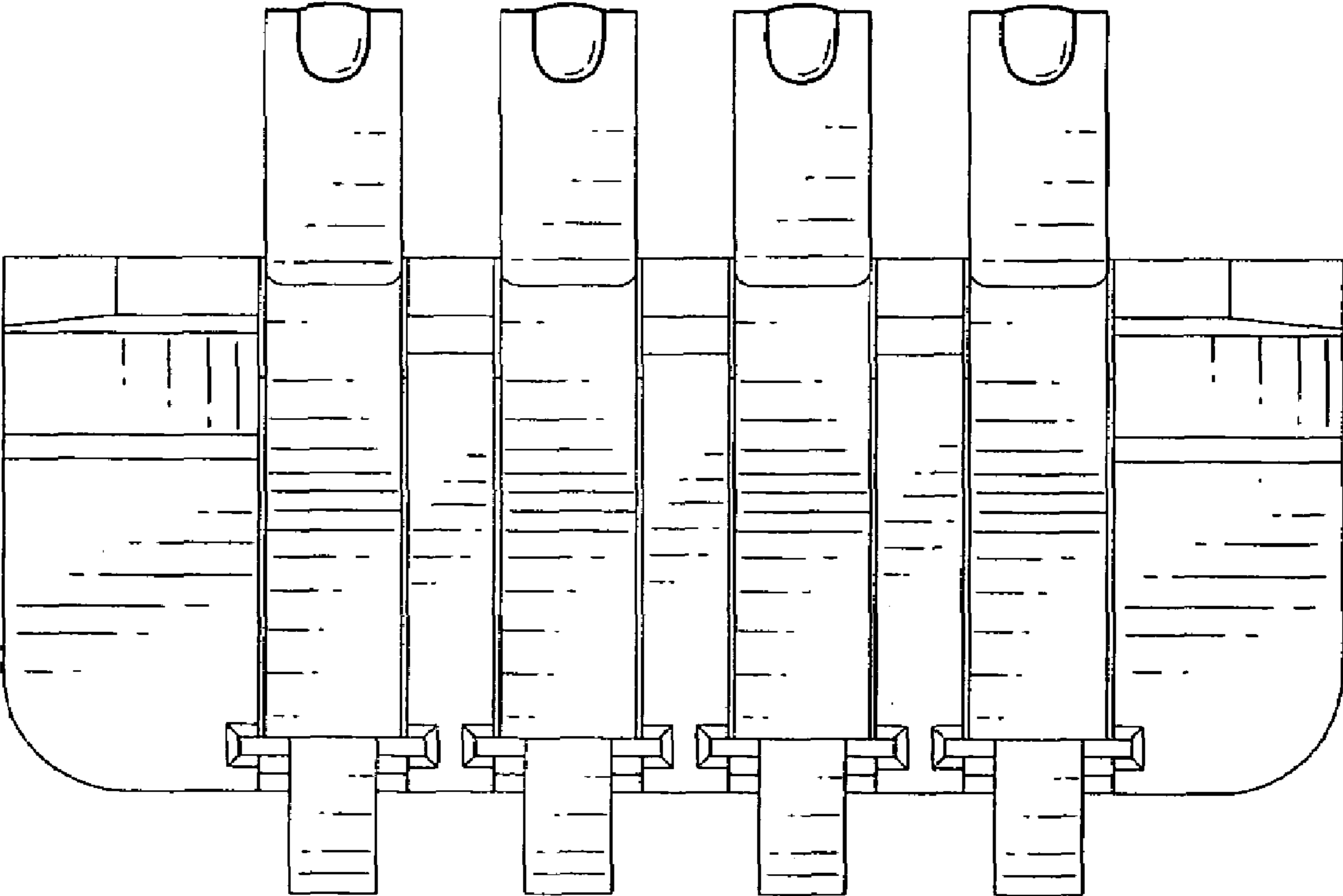


FIG. 7