



US00D558669S

(12) **United States Design Patent**  
**Jeamvigite**

(10) **Patent No.:** **US D558,669 S**

(45) **Date of Patent:** **\*\* Jan. 1, 2008**

(54) **WIND GENERATOR SHROUD**  
(75) Inventor: **Jirawat Jeamvigite**, Los Angeles, CA  
(US)  
(73) Assignee: **Aerovironment Inc.**, Monrovia, CA  
(US)

4,180,372 A \* 12/1979 Lippert, Jr. .... 416/23  
4,247,253 A \* 1/1981 Seki et al. .... 416/44  
4,297,076 A \* 10/1981 Donham et al. .... 416/37  
5,295,793 A \* 3/1994 Belden ..... 416/13  
5,320,491 A \* 6/1994 Coleman et al. .... 416/24  
D480,360 S \* 10/2003 Bayly ..... D13/115

\* cited by examiner

(\*\*) Term: **14 Years**

*Primary Examiner*—Prabhakar Deshmukh

*Assistant Examiner*—Derrick Holland

(21) Appl. No.: **29/266,544**

(74) *Attorney, Agent, or Firm*—William W. Haefliger

(22) Filed: **Sep. 22, 2006**

(57) **CLAIM**

(51) **LOC (8) Cl.** ..... **13-01**

The ornamental design for a wind generator shroud, substantially as shown and described.

(52) **U.S. Cl.** ..... **D13/115**

(58) **Field of Classification Search** ..... D13/115,  
D13/101, 199; D15/1, 199; D23/381, 411,  
D23/413; 52/40, 745.09, 745.18; 416/17,  
416/23, 24, 31, 37, 38, 132 R, 142  
See application file for complete search history.

**DESCRIPTION**

FIG. 1 is a front, left and partial bottom perspective view of a wind generator shroud showing my new design;

FIG. 2 is a front elevation view thereof;

FIG. 3 is a side perspective view thereof, the opposite side being the same; and,

FIG. 4 is a rear elevation view thereof.

(56) **References Cited**

**U.S. PATENT DOCUMENTS**

D102,403 S \* 12/1936 Vaughn ..... D23/379  
4,084,921 A \* 4/1978 Norz ..... 416/17  
D252,572 S \* 8/1979 Hanson ..... D15/1

**1 Claim, 3 Drawing Sheets**

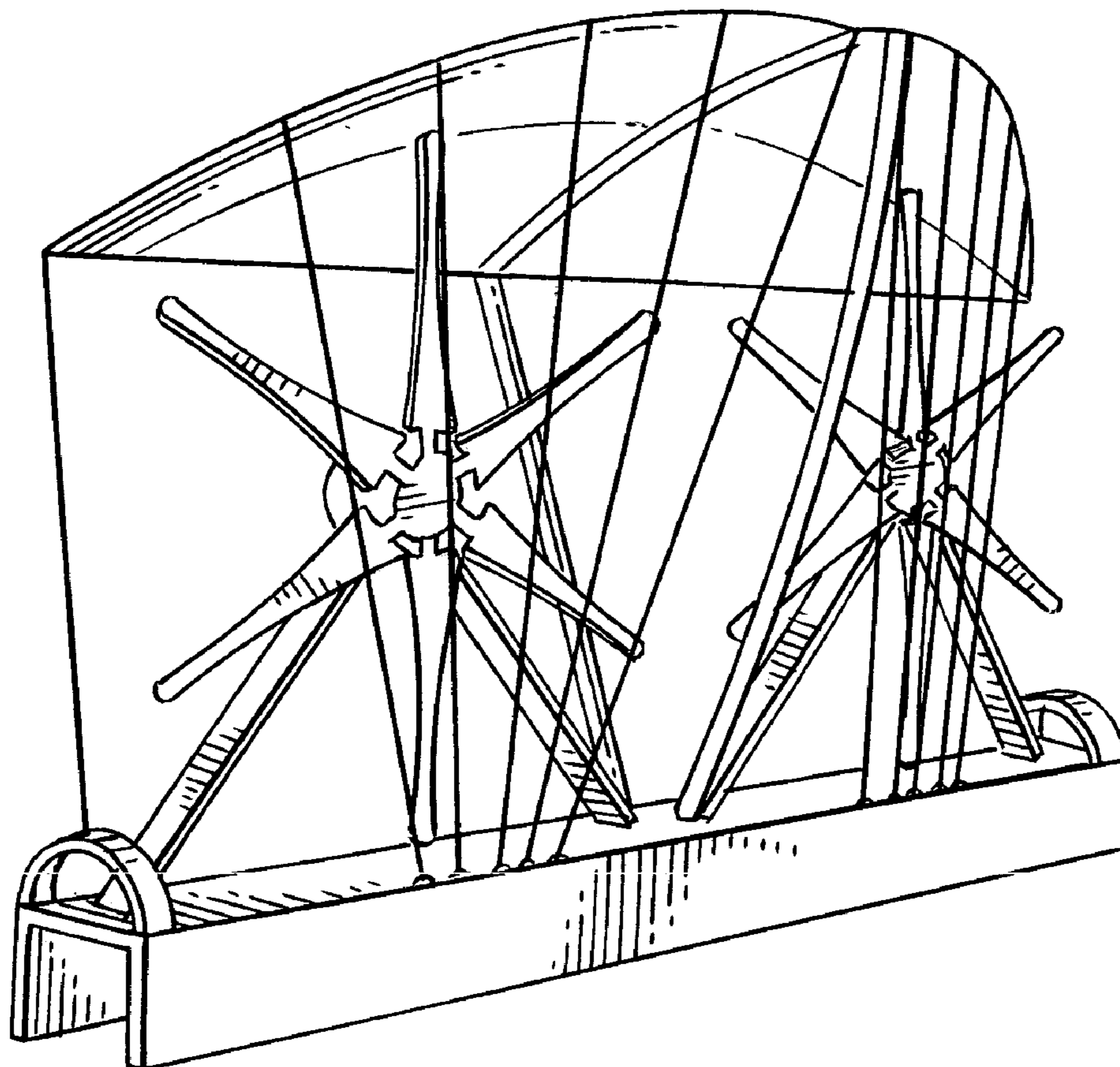


FIG. 1.

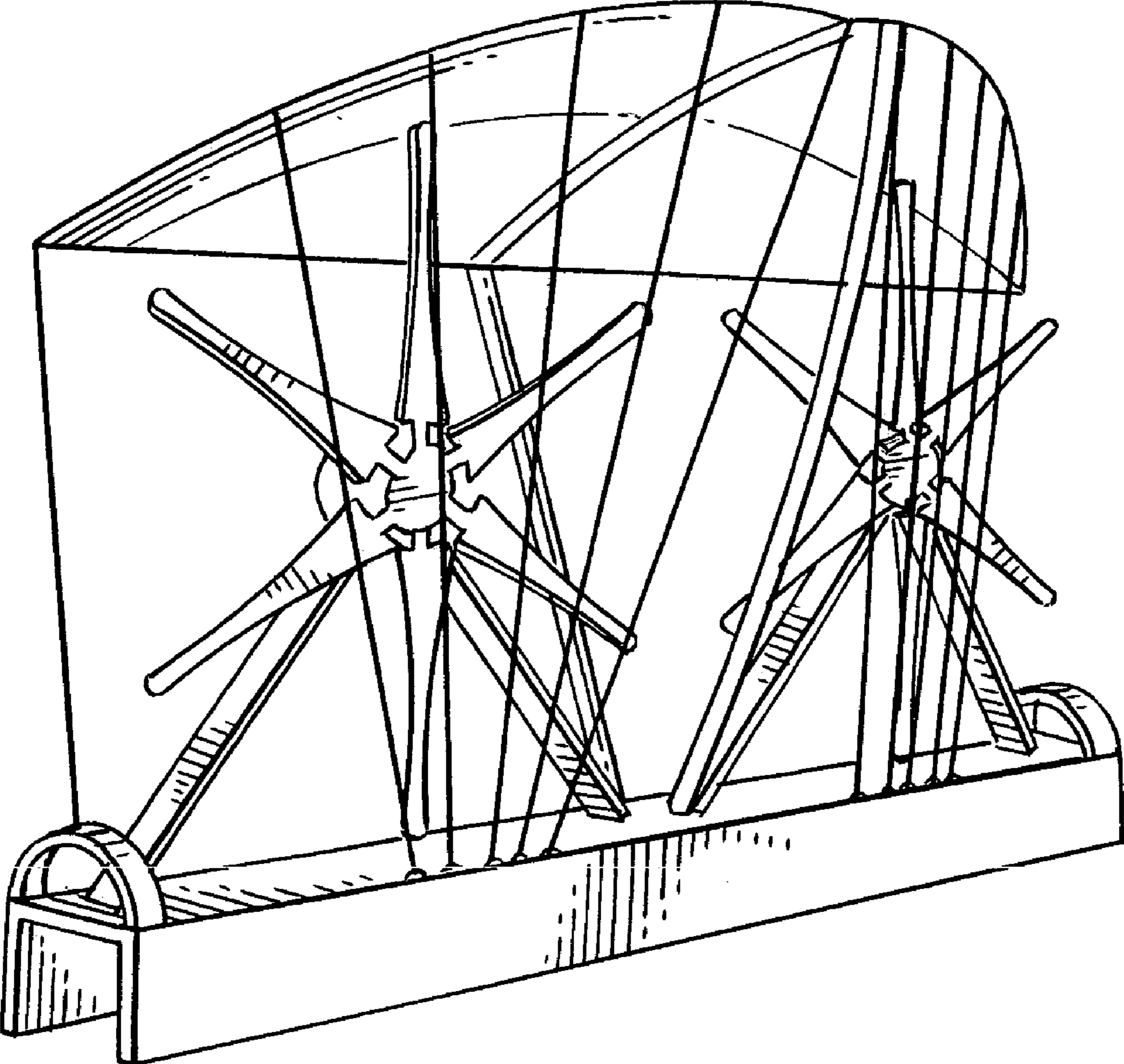


FIG. 3.

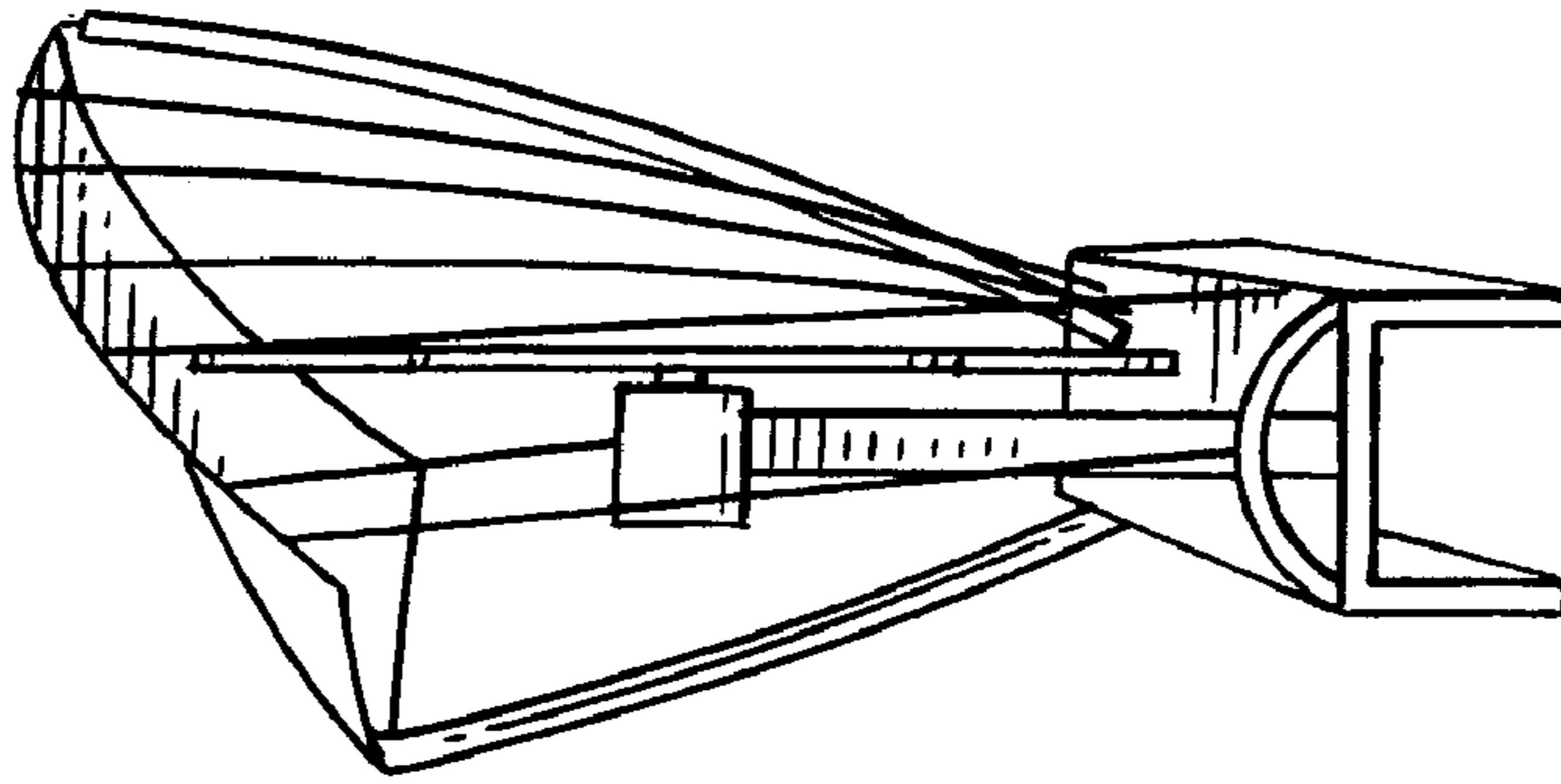


FIG. 2.

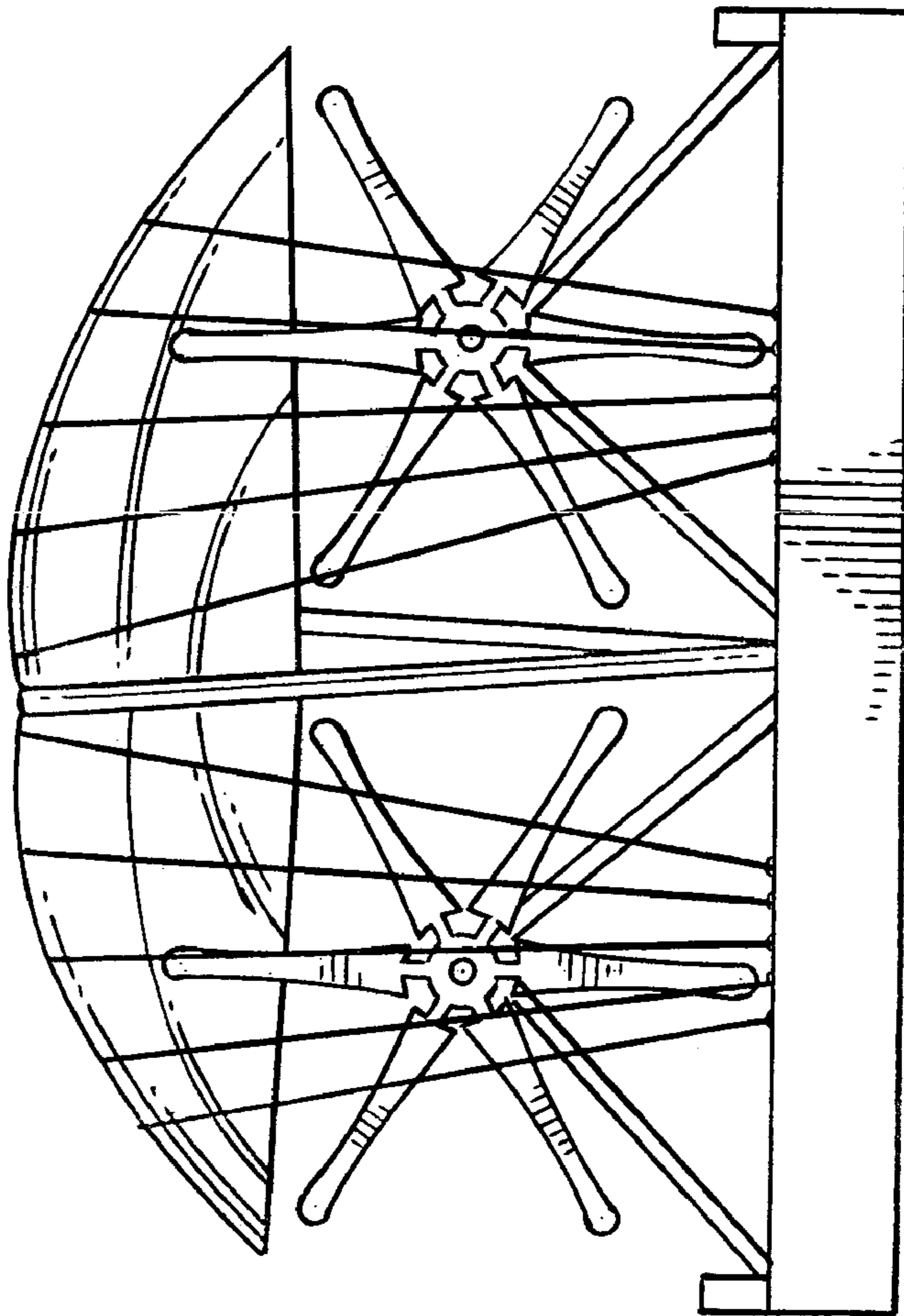


FIG. 4.

