



US00D558668S

(12) **United States Design Patent**  
**Jeamvigite**

(10) **Patent No.:** **US D558,668 S**

(45) **Date of Patent:** **\*\* Jan. 1, 2008**

(54) **WIND GENERATOR ARTICULATED CANOPY**

(75) **Inventor:** **Jirawat Jeamvigite**, Los Angeles, CA (US)

(73) **Assignee:** **Aerovironment Inc.**, Monrovia, CA (US)

(\*\*) **Term:** **14 Years**

(21) **Appl. No.:** **29/266,543**

(22) **Filed:** **Sep. 22, 2006**

(51) **LOC (8) Cl.** ..... **13-01**

(52) **U.S. Cl.** ..... **D13/115**

(58) **Field of Classification Search** ..... D13/115,  
D13/101, 199; D15/1, 199; D23/381, 411,  
D23/413; 52/40, 745.09, 745.18; 416/17,  
416/23, 24, 31, 37, 38, 132 R, 142  
See application file for complete search history.

(56) **References Cited**

**U.S. PATENT DOCUMENTS**

D102,403 S \* 12/1936 Vaughn ..... D23/379  
4,084,921 A \* 4/1978 Norz ..... 416/17

D252,572 S \* 8/1979 Hanson ..... D15/1  
4,180,372 A \* 12/1979 Lippert, Jr. .... 416/23  
4,247,253 A \* 1/1981 Seki et al. .... 416/44  
4,297,076 A \* 10/1981 Donham et al. .... 416/37  
5,295,793 A \* 3/1994 Belden ..... 416/13  
5,320,491 A \* 6/1994 Coleman et al. .... 416/24  
D480,360 S \* 10/2003 Bayly ..... D13/115

\* cited by examiner

*Primary Examiner*—Prabhakar Deshmukh

*Assistant Examiner*—Derrick Holland

(74) *Attorney, Agent, or Firm*—William W. Haefliger

(57) **CLAIM**

The ornamental design for a wind generator articulated canopy, substantially as shown and described.

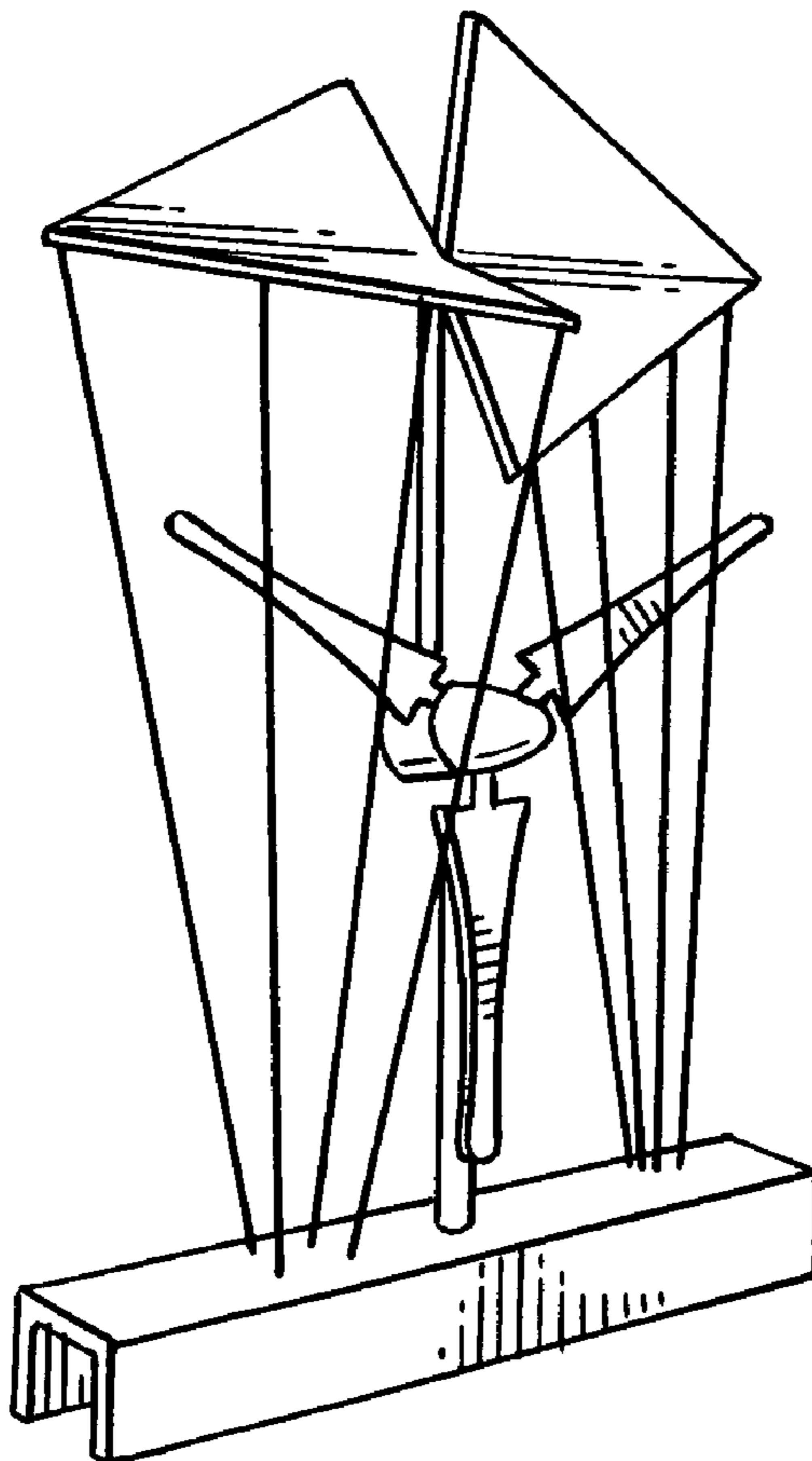
**DESCRIPTION**

FIG. 1 is a top, front and partial bottom perspective view of a wind generator articulated canopy showing my new design;

FIG. 2 is a front elevation view thereof; and,

FIG. 3 is a rear elevation view thereof.

**1 Claim, 2 Drawing Sheets**



*FIG. 1.*

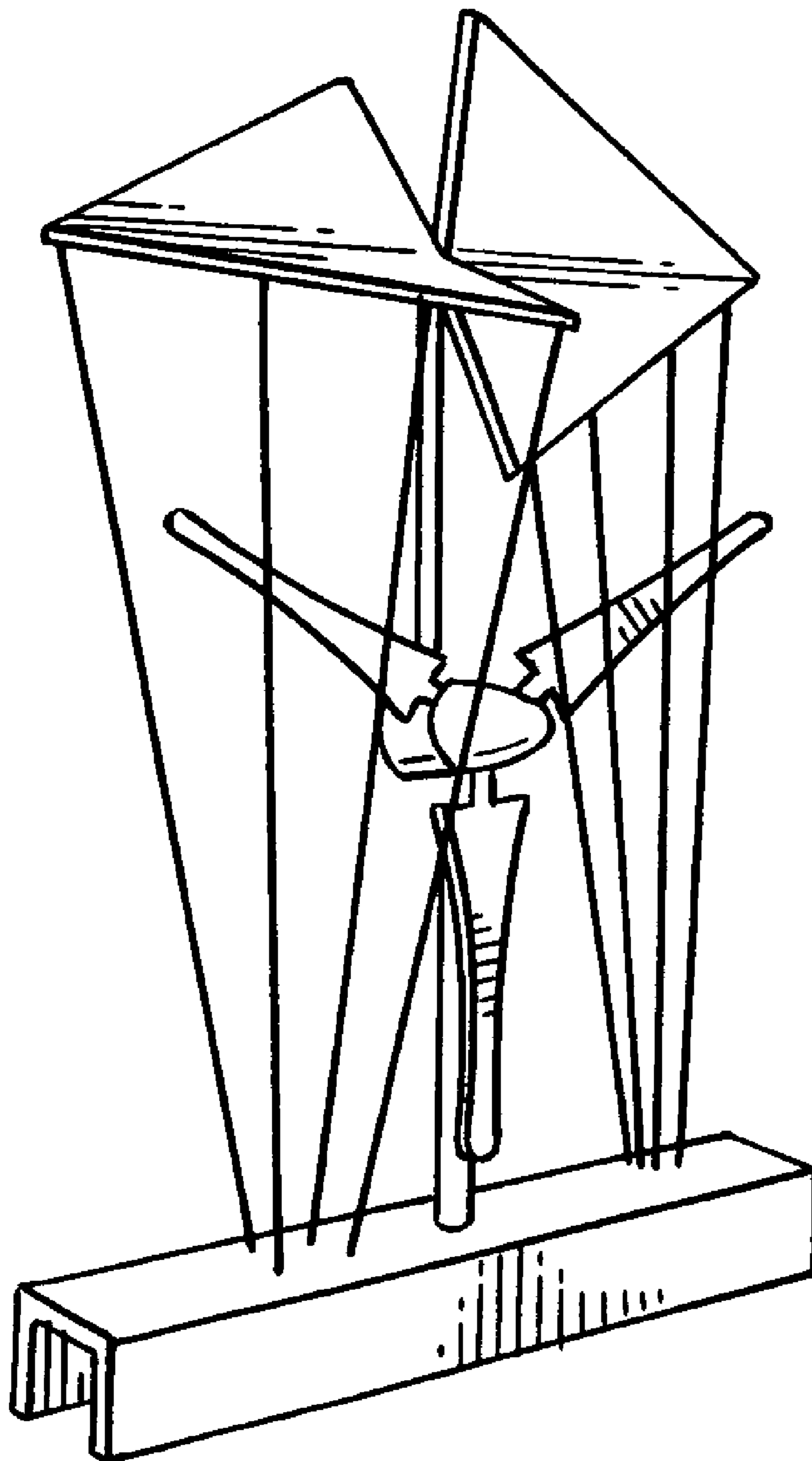


FIG. 3.

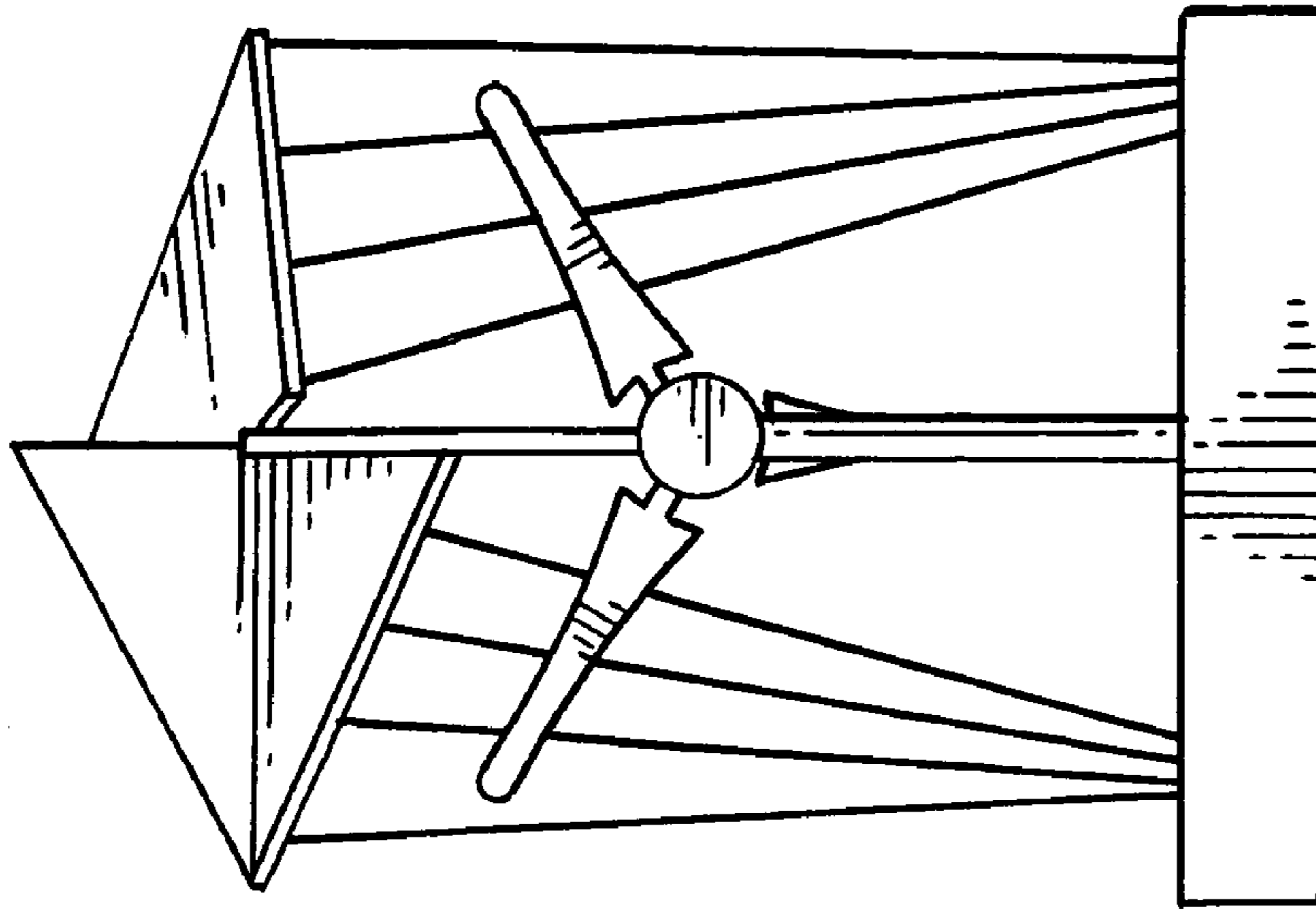


FIG. 2.

