



US00D558657S

(12) **United States Design Patent**
Davidson

(10) **Patent No.:** **US D558,657 S**
(45) **Date of Patent:** **** Jan. 1, 2008**

- (54) **VEHICLE EXHAUST PORT SET**
- (75) Inventor: **Benjamin R. Davidson**, Redondo Beach, CA (US)
- (73) Assignee: **Honda Motor Co., Ltd.**, Tokyo (JP)
- (**) Term: **14 Years**
- (21) Appl. No.: **29/275,583**
- (22) Filed: **Dec. 29, 2006**

2,992,035 A *	7/1961	Tell et al.	293/113
D357,665 S *	4/1995	Creyts	D12/194
6,668,972 B2 *	12/2003	Huff et al.	181/256
D487,038 S *	2/2004	Chan	D12/169
D497,860 S *	11/2004	Hoelzel et al.	D12/196
D504,852 S *	5/2005	Kubota	D12/169
D506,161 S *	6/2005	Stephenson	D12/92
D509,172 S *	9/2005	Minami	D12/169
D534,848 S *	1/2007	Murkett	D12/194

Related U.S. Application Data

- (63) Continuation of application No. 29/250,653, filed on Nov. 27, 2006, and a continuation of application No. 29/250,656, filed on Nov. 27, 2006.

- (51) **LOC (8) Cl.** **12-16**
- (52) **U.S. Cl.** **D12/194**
- (58) **Field of Classification Search** D12/86,
D12/90-92, 110, 167, 169, 170, 181, 186,
D12/194, 196, 206, 209; D15/5; 180/89.2,
180/219, 225, 296, 309; 181/227, 228, 247,
181/251, 264, 282; 29/890.08; 60/313,
60/323; 296/180.1, 180.2
See application file for complete search history.

- (56) **References Cited**
U.S. PATENT DOCUMENTS

2,841,232 A * 7/1958 Loeffler 180/89.2

* cited by examiner

Primary Examiner—Doris Clark

Assistant Examiner—Michael A. Pratt

(74) *Attorney, Agent, or Firm*—Plumsea Law Group, LLC

(57) **CLAIM**

The ornamental design for a vehicle exhaust port set, as shown and described.

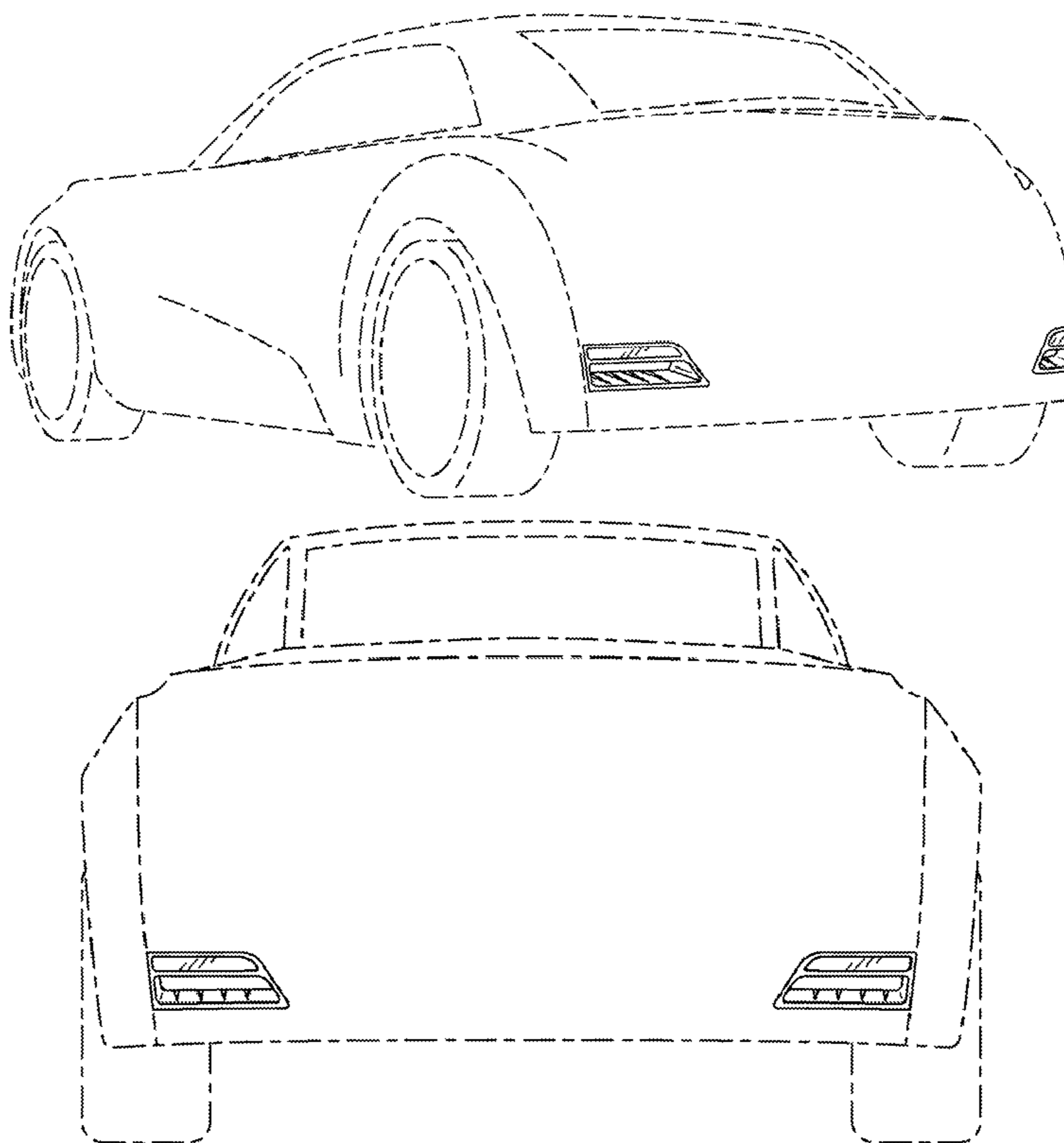
DESCRIPTION

FIG. 1 is a perspective view of vehicle exhaust port set showing my new design; and,

FIG. 2 is an elevational view thereof.

The broken line showing of the remainder of the vehicle is for illustrative purposes only and forms no part of the claimed design.

1 Claim, 1 Drawing Sheet



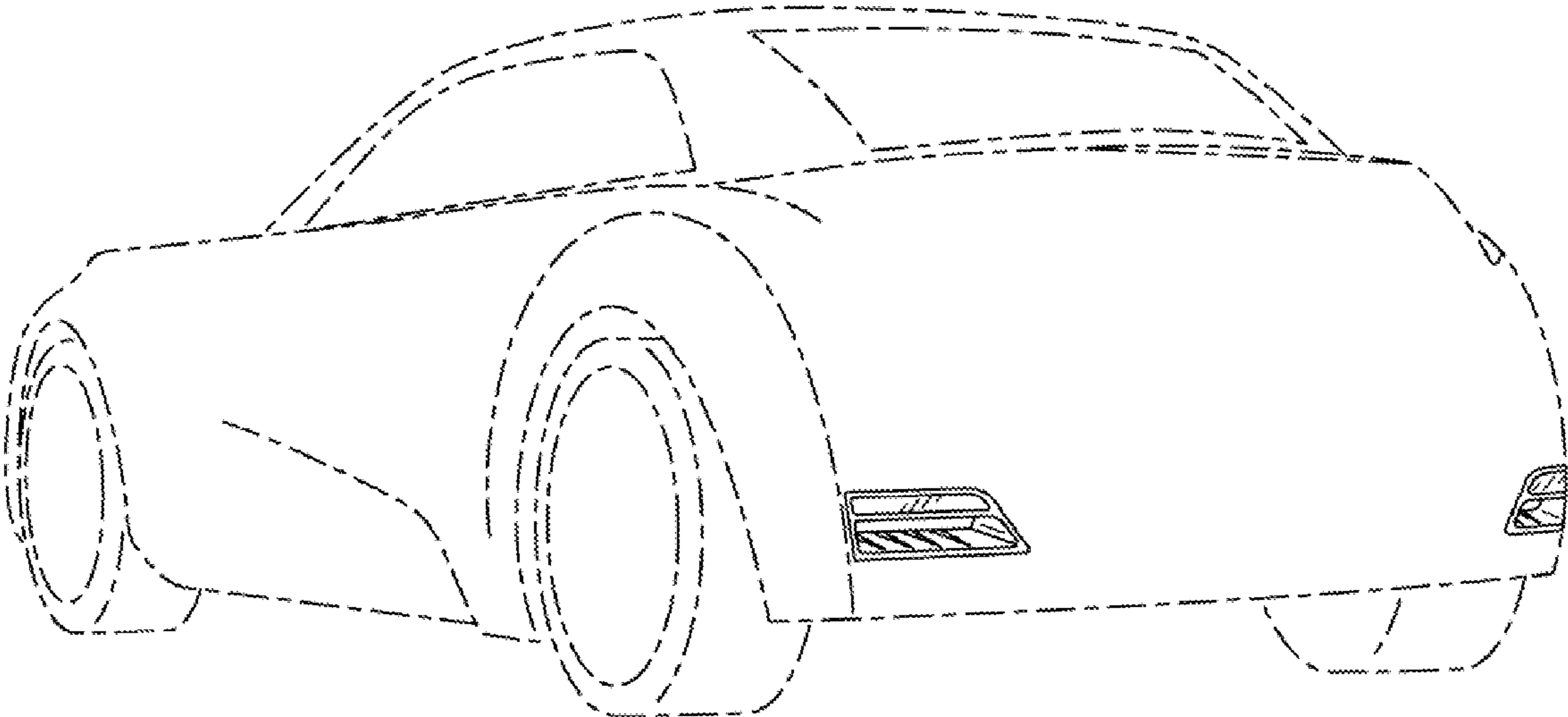


FIG. 1

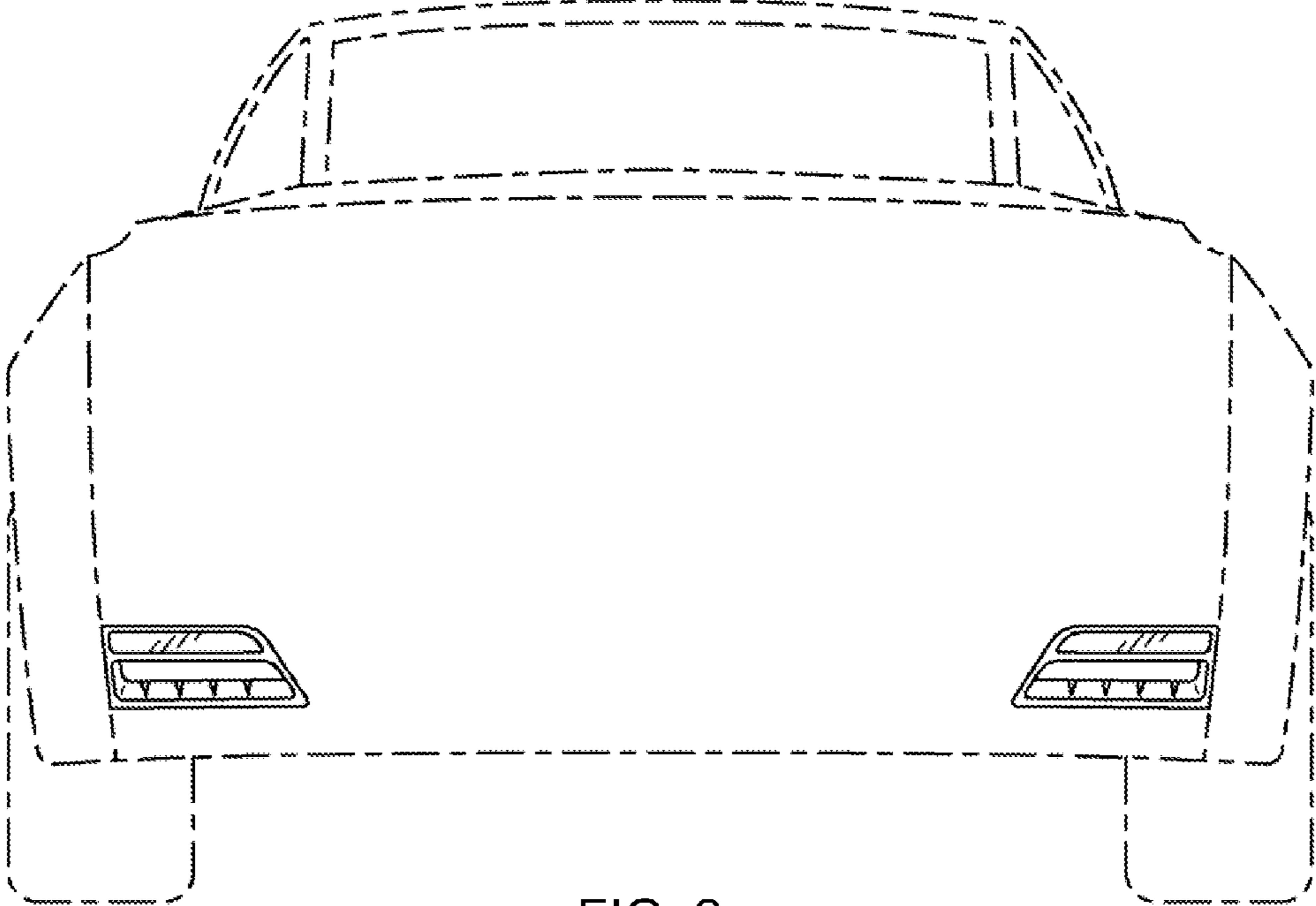


FIG. 2