



US00D558654S

(12) **United States Design Patent**
Woods

(10) **Patent No.:** **US D558,654 S**

(45) **Date of Patent:** **** Jan. 1, 2008**

(54) **WIND SPOILER**

D503,666 S 4/2005 Iwata
D520,420 S * 5/2006 Woods D12/181
D535,599 S * 1/2007 Woods D12/181

(76) Inventor: **Solomon Woods**, 11476 Newgate La.,
Cincinnati, OH (US) 45240

* cited by examiner

(**) Term: **14 Years**

Primary Examiner—Elizabeth A. Albert
Assistant Examiner—Abraham Bahta
(74) *Attorney, Agent, or Firm*—Charles R. Wilson

(21) Appl. No.: **29/251,438**

(22) Filed: **Jan. 9, 2006**

(57) **CLAIM**

(51) **LOC (8) Cl.** **12-16**

(52) **U.S. Cl.** **D12/190**

(58) **Field of Classification Search** D12/190–191,
D12/181, 196, 400, 412, 414; 280/727, 770,
280/848; 296/180.1, 180.2, 180.3, 180.4,
296/180.5

The ornamental design for a wind spoiler, as shown and described.

See application file for complete search history.

DESCRIPTION

(56) **References Cited**

U.S. PATENT DOCUMENTS

D271,191 S	11/1983	Amprim et al.	
D291,076 S *	7/1987	Kawaguchi et al.	D12/181
D320,973 S	10/1991	Ichinose	
5,076,636 A *	12/1991	Buck et al.	296/180.1
5,165,751 A *	11/1992	Matsumoto et al.	296/180.5
D436,905 S *	1/2001	Bhambra	D12/181
D445,742 S *	7/2001	Tampi	D12/181
6,293,613 B1	9/2001	Choi	
D487,040 S	2/2004	Iwata	
D495,636 S	9/2004	Iwata	
D495,637 S	9/2004	Iwata	

FIG. 1 is a perspective view of a wind spoiler showing my new design;

FIG. 2 is a perspective view of the wind spoiler of FIG. 1;

FIG. 3 is a top plan view thereof;

FIG. 4 is a bottom plan view thereof;

FIG. 5 is a front elevation view thereof;

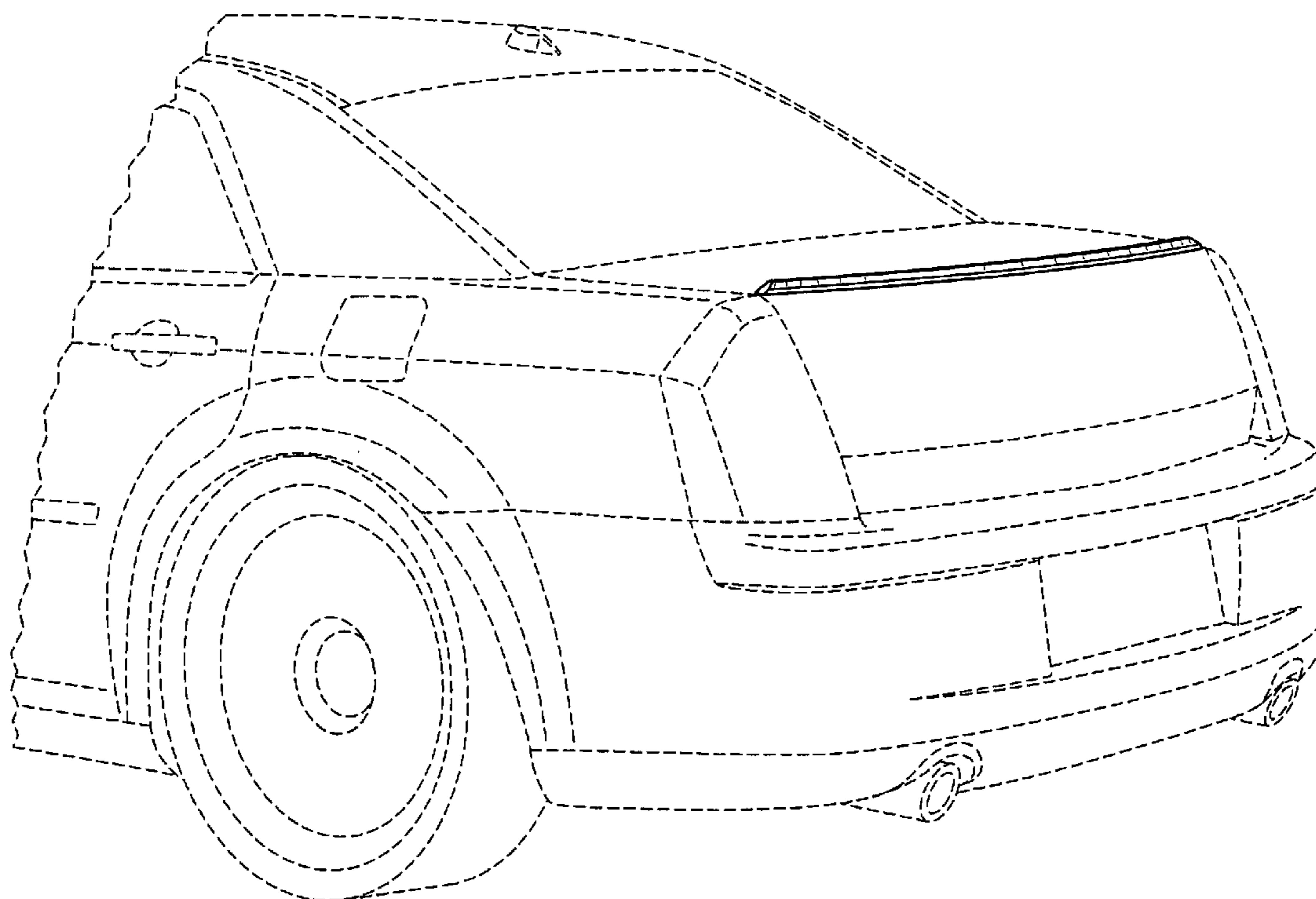
FIG. 6 is a rear elevation view thereof;

FIG. 7 is a left side elevation view of FIG. 2; and,

FIG. 8 is a right side elevation view of FIG. 2.

The broken lines shown in FIGS. 1 and 4 are for illustrative purposes only and form no part of the claimed design.

1 Claim, 4 Drawing Sheets



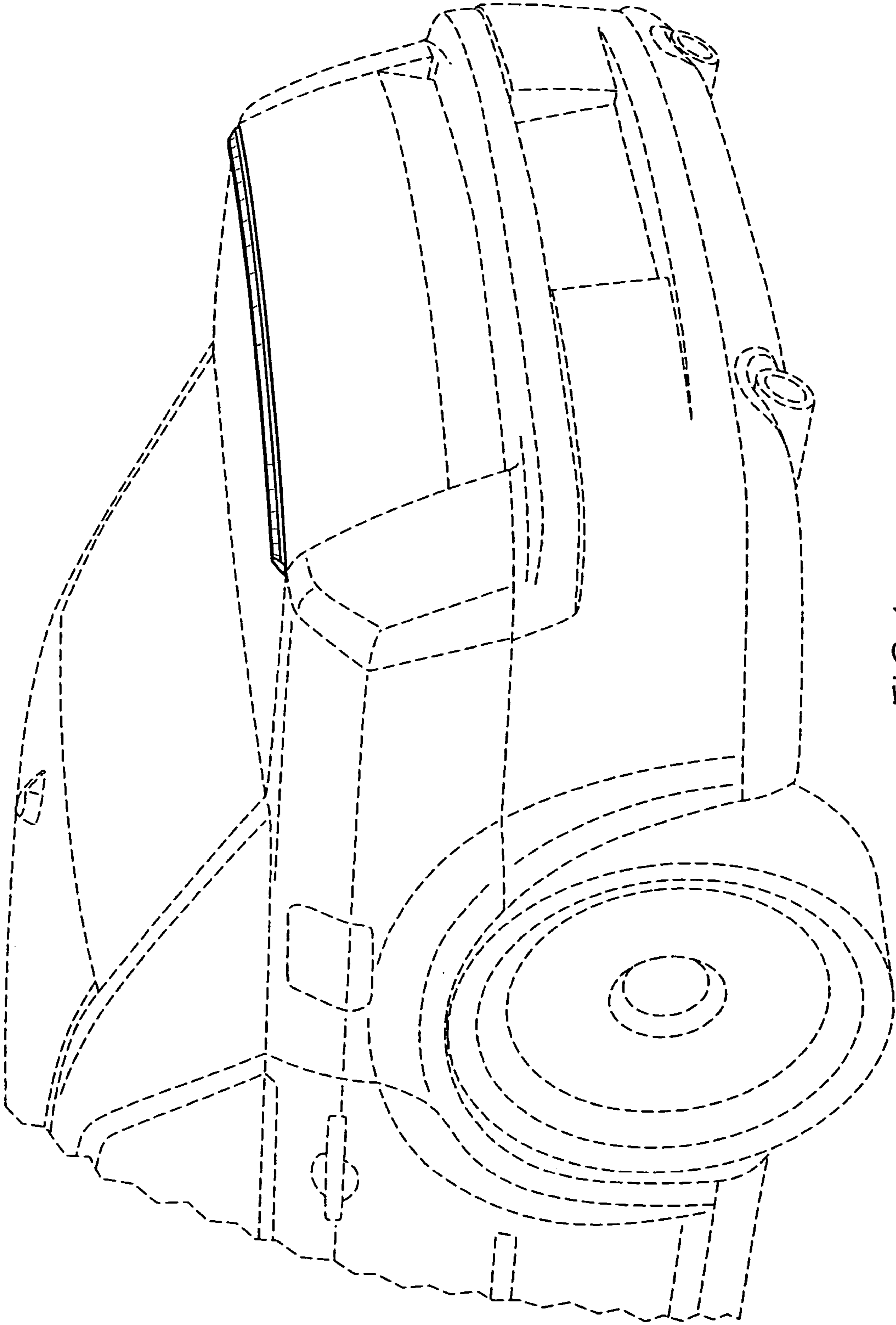


FIG. 1

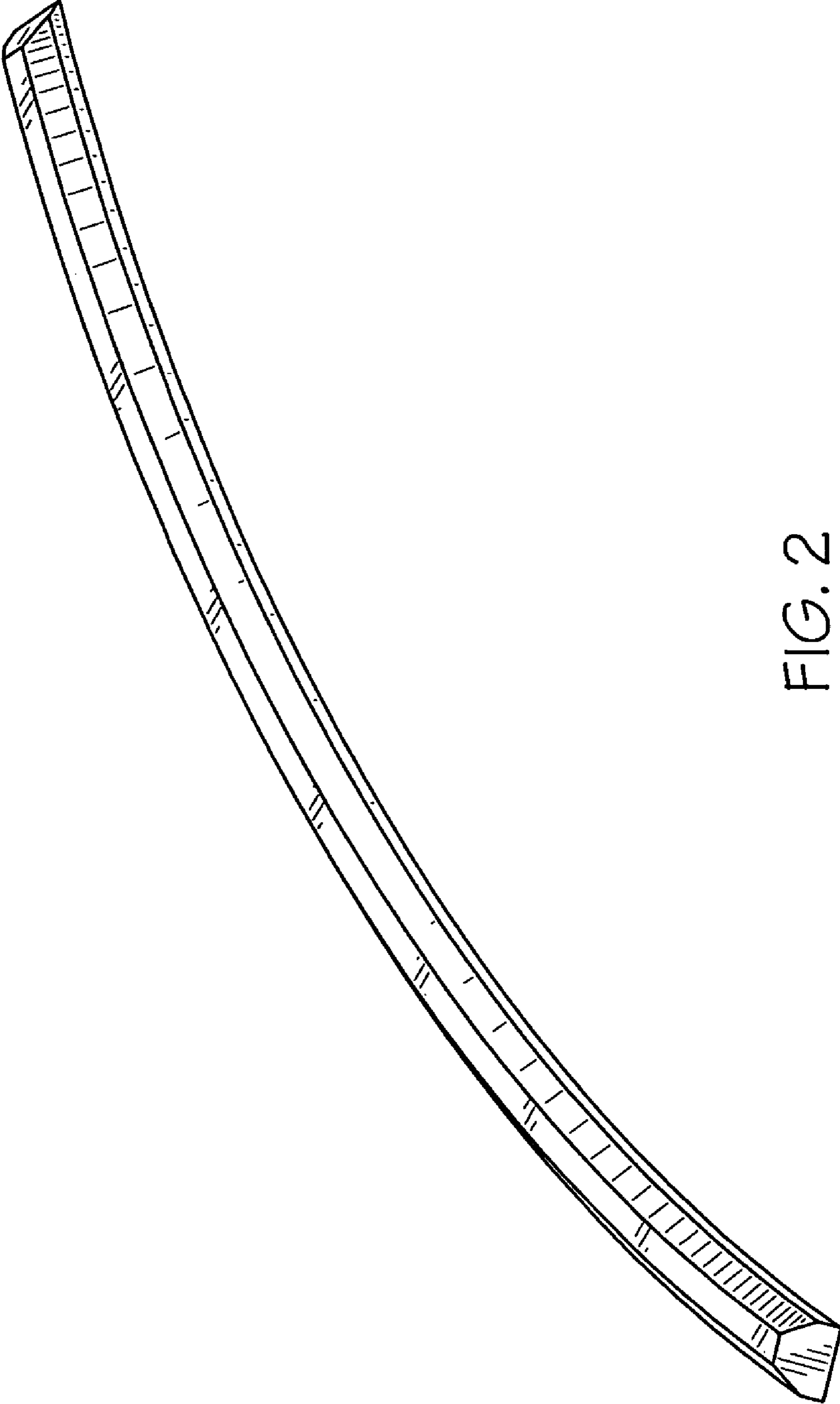


FIG. 2

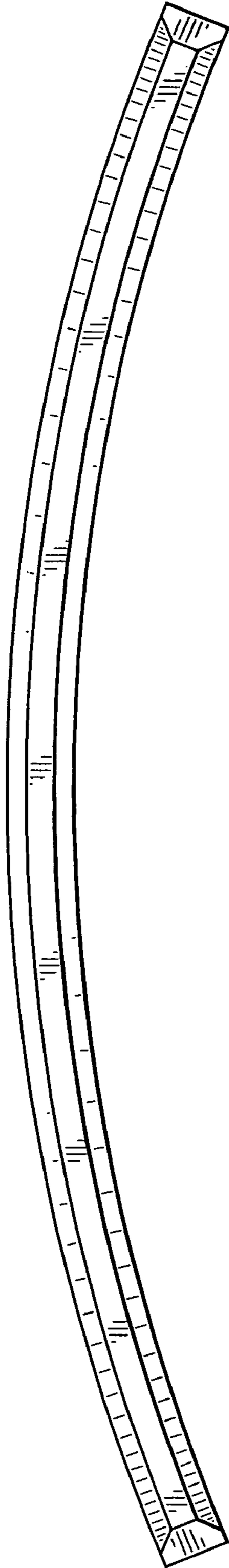


FIG. 3

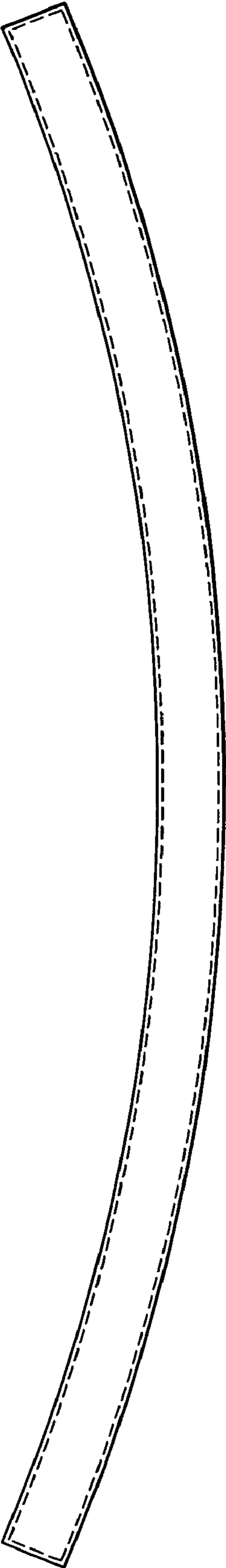


FIG. 4



FIG. 5



FIG. 6



FIG. 7



FIG. 8