

US00D558652S

(12) **United States Design Patent** (10) **Patent No.:** **US D558,652 S**
Davis (45) **Date of Patent:** **** Jan. 1, 2008**

(54) **VEHICLE WINDOW NETTING**

(76) Inventor: **Tim B. Davis**, 108 Weidman Rd., Ste. 131, Manchester, MO (US) 63021

(**) Term: **14 Years**

(21) Appl. No.: **29/245,345**

(22) Filed: **Dec. 21, 2005**

(51) **LOC (8) Cl.** **12-08**

(52) **U.S. Cl.** **D12/183**

(58) **Field of Classification Search** D12/183, D12/191, 400, 401; 150/166, 168, DIG. 2, 150/DIG. 3; 296/97.1, 97.7, 97.8; 160/370.21; D25/53; 49/501, 502, 504
See application file for complete search history.

(56) **References Cited**

U.S. PATENT DOCUMENTS

4,285,383	A *	8/1981	Steenburgh	160/374
D365,323	S *	12/1995	Napierkowski et al.	D12/414
D371,759	S *	7/1996	Larsen	D12/183
D381,947	S *	8/1997	Bergh et al.	D12/191
5,816,641	A *	10/1998	Chen	296/95.1
6,015,180	A *	1/2000	Beuerle	296/95.1
D487,240	S *	3/2004	Chapman	D12/183

* cited by examiner

Primary Examiner—Doris Clark
Assistant Examiner—Michael A. Pratt
(74) *Attorney, Agent, or Firm*—Paul M. Denk

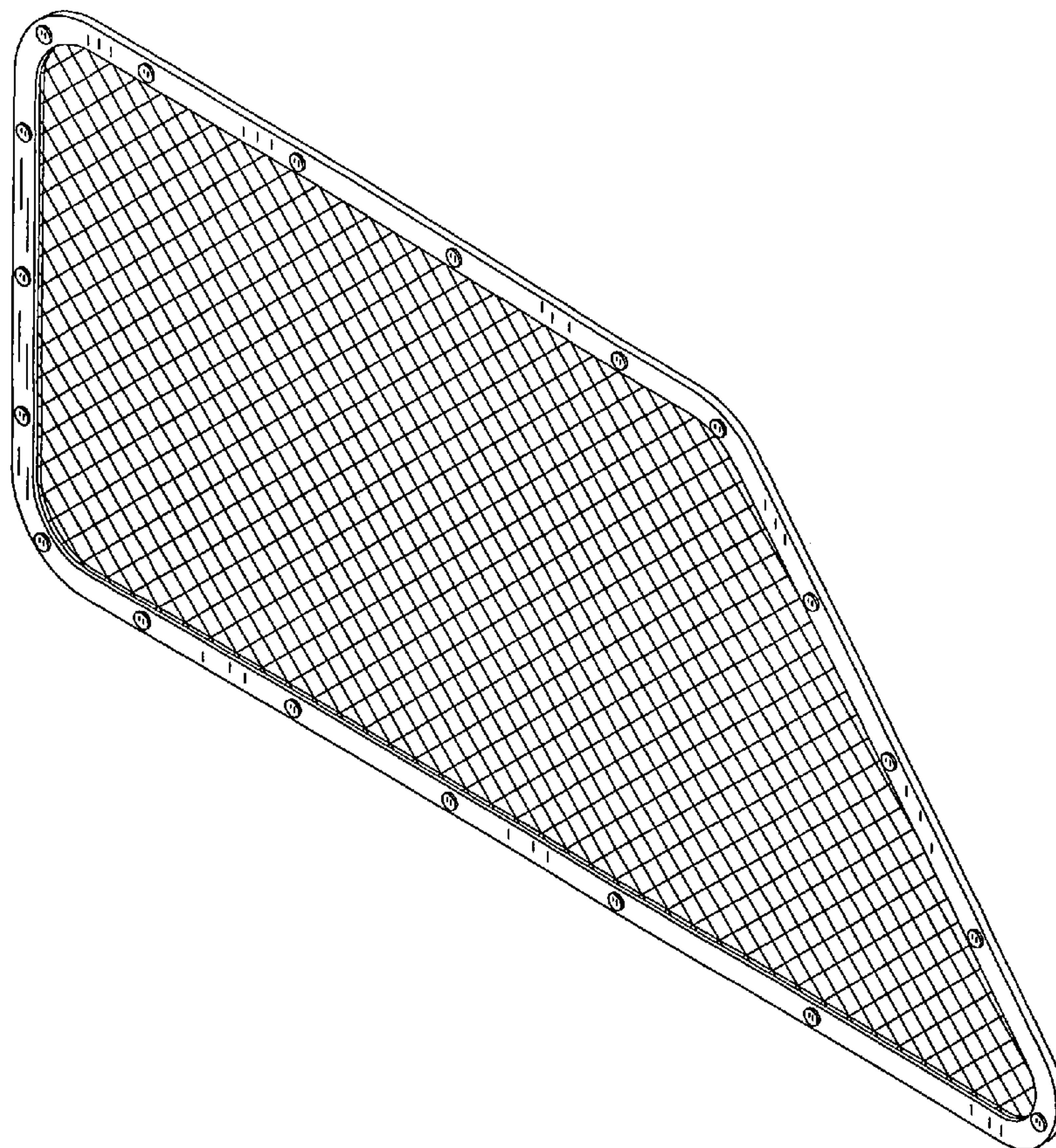
(57) **CLAIM**

The ornamental design for the vehicle window netting, as shown and described.

DESCRIPTION

FIG. 1 is an isometric view of the vehicle window netting of this invention;
FIG. 2 is a front view thereof;
FIG. 3 is a back view thereof;
FIG. 4 is a top view;
FIG. 5 is a bottom view;
FIG. 6 is a front view;
FIG. 7 is a rear view of the invention;
FIG. 8 is an isometric view of a second embodiment of the vehicle window netting of this invention; and,
FIG. 9 is a front view thereof.

1 Claim, 3 Drawing Sheets



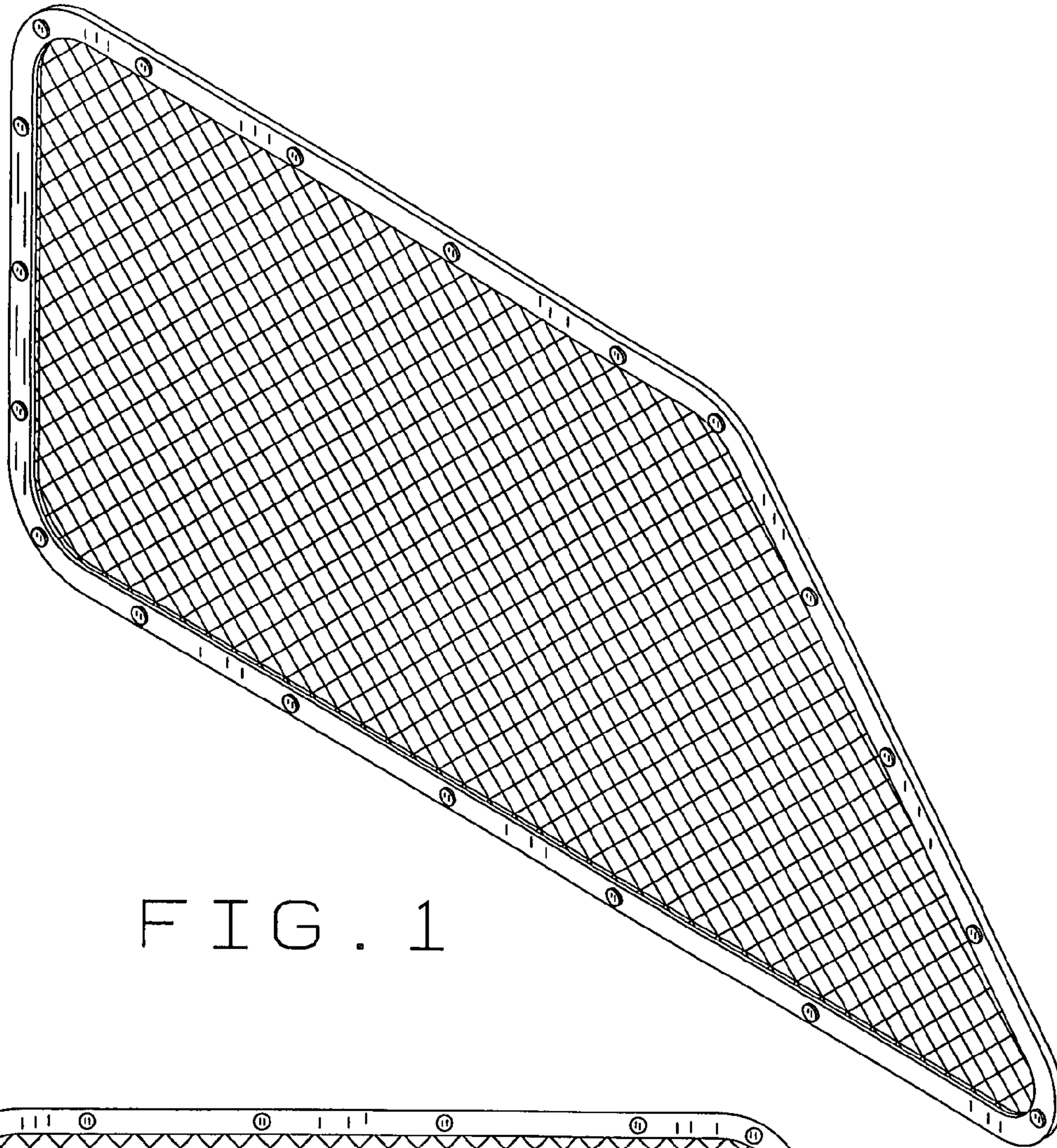


FIG. 1

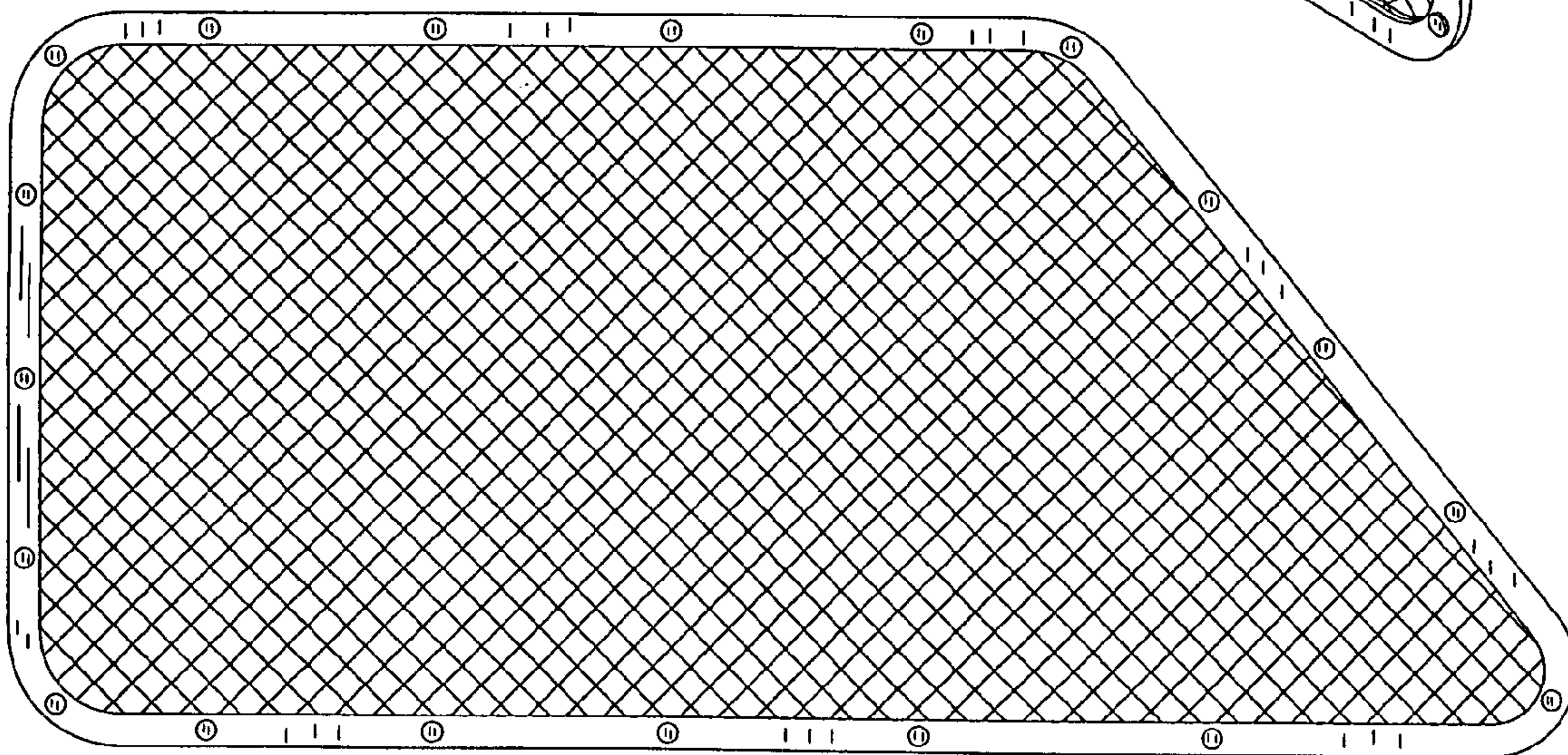


FIG. 2

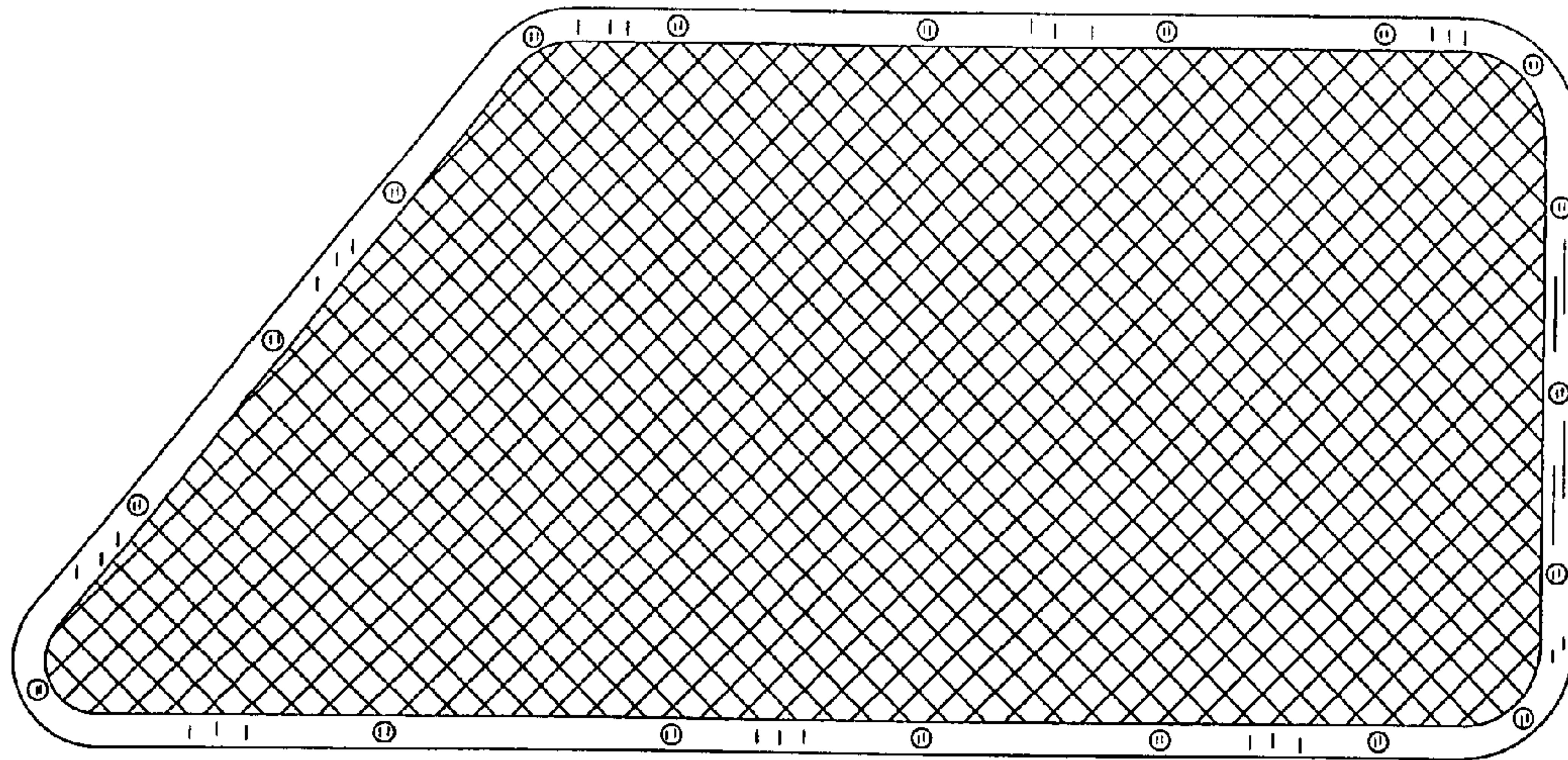


FIG. 3

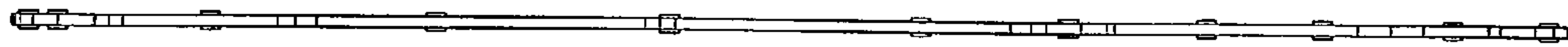


FIG. 4

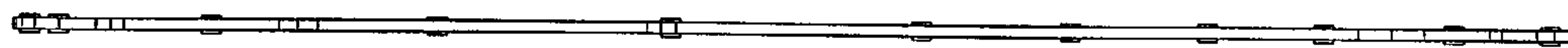


FIG. 5



FIG. 6



FIG. 7

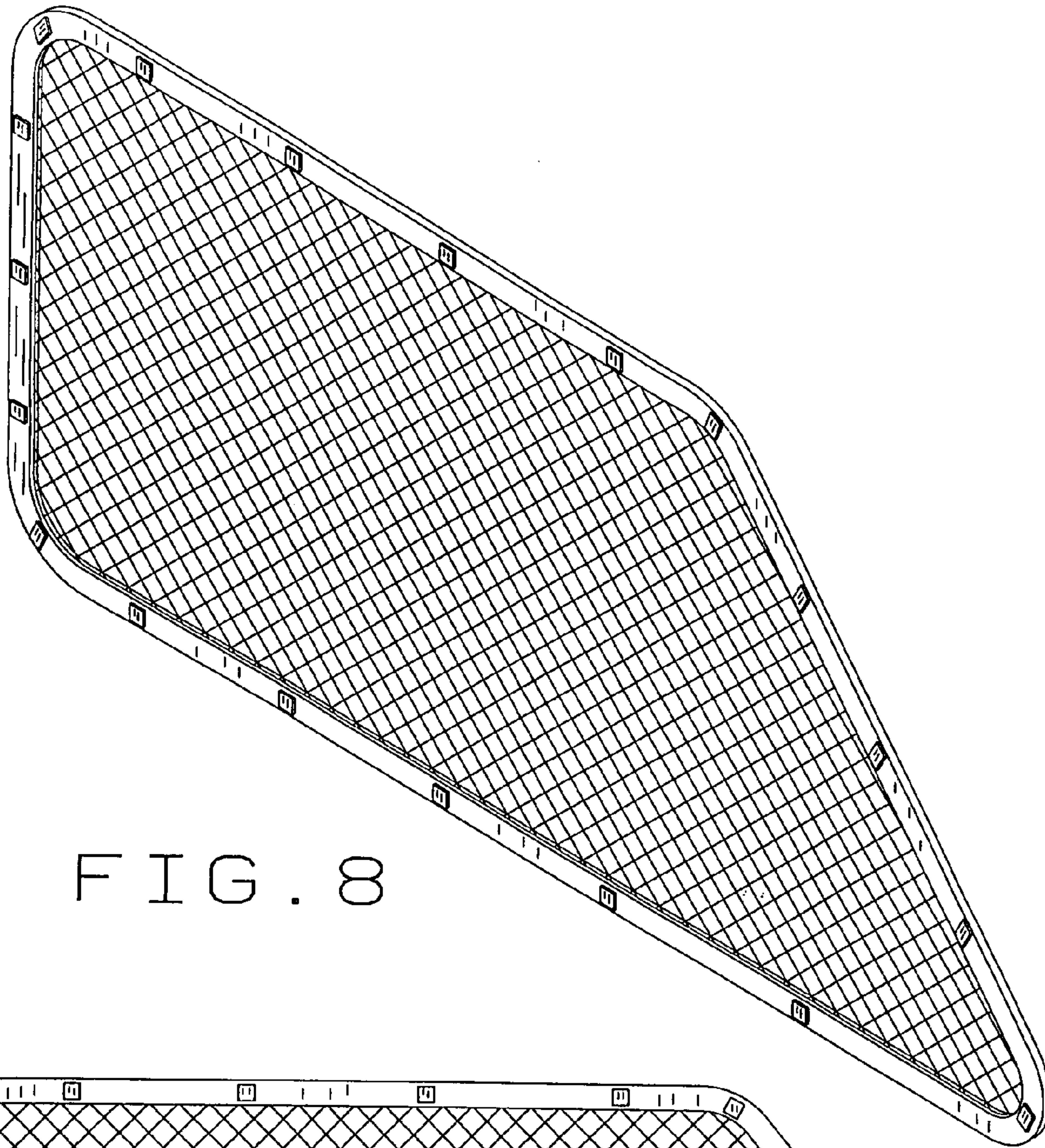


FIG. 8

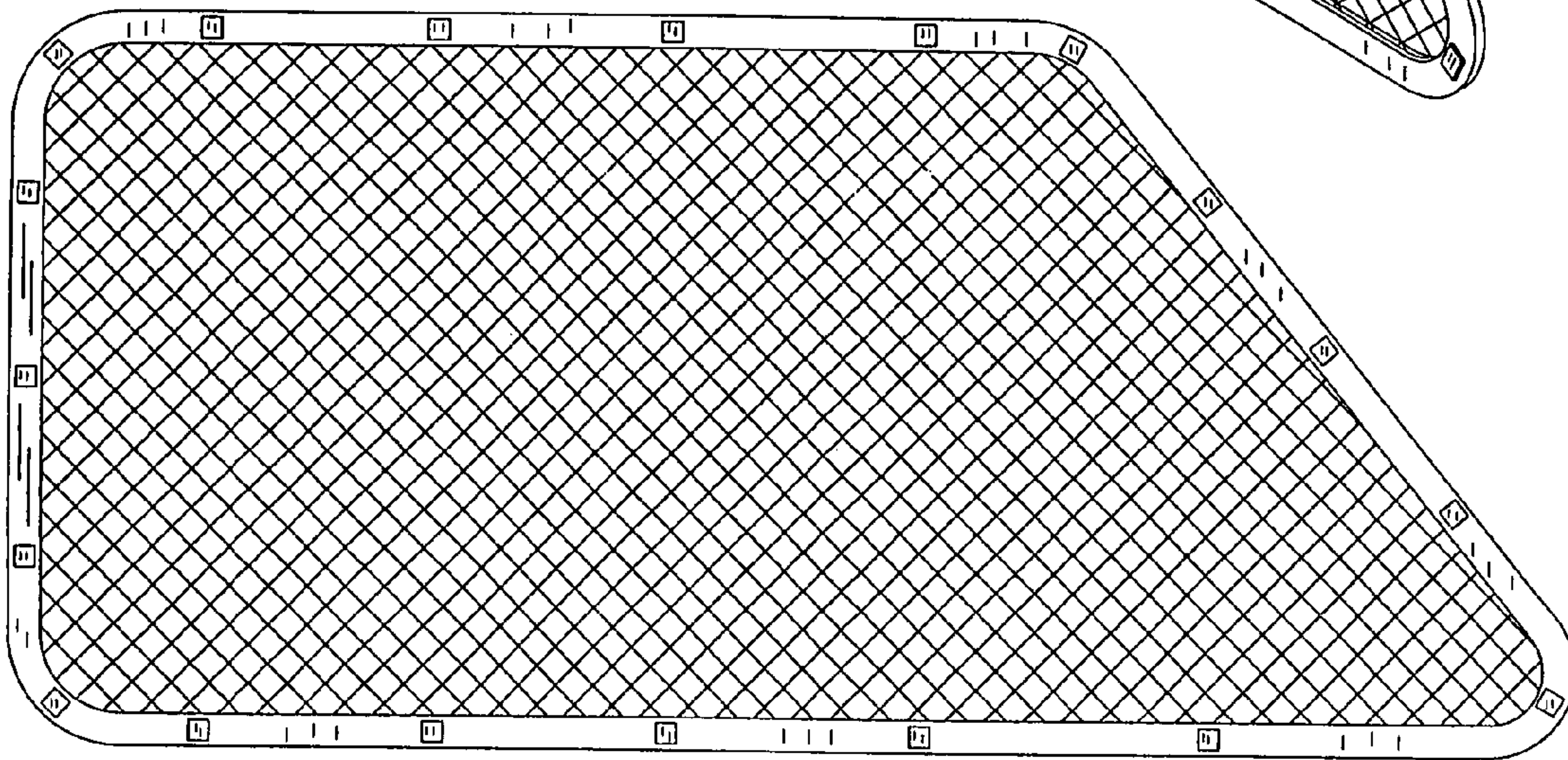


FIG. 9